



US00D533144S

(12) **United States Design Patent** (10) **Patent No.:** **US D533,144 S**  
**Asada** (45) **Date of Patent:** **\*\* Dec. 5, 2006**

(54) **PUSH-BUTTON SWITCH**

(75) Inventor: **Makoto Asada**, Nara (JP)

(73) Assignee: **Hosiden Corporation**, Osaka (JP)

(\*\*) Term: **14 Years**

(21) Appl. No.: **29/235,566**

(22) Filed: **Aug. 3, 2005**

(30) **Foreign Application Priority Data**

Feb. 18, 2005 (JP) ..... 2005-004383

(51) **LOC (8) Cl.** ..... **13-03**

(52) **U.S. Cl.** ..... **D13/171**

(58) **Field of Classification Search** ..... D13/158,  
D13/171, 174; 200/1 B, 5 A, 6 R, 293-297,  
200/314, 315, 341, 344, 406, 513, 520, 523,  
200/530

See application file for complete search history.

(56) **References Cited**

U.S. PATENT DOCUMENTS

D294,344 S \* 2/1988 Troutman et al. .... D13/158  
D301,136 S \* 5/1989 Saito ..... D13/171  
4,843,197 A \* 6/1989 Kojima et al. .... 200/406  
4,987,278 A \* 1/1991 Tsutsumi ..... 200/294  
D316,540 S \* 4/1991 Hirose ..... D13/171

5,199,555 A \* 4/1993 Hirano ..... 200/341  
5,760,352 A \* 6/1998 Ishihara et al. .... 200/16 D  
5,898,147 A \* 4/1999 Domzalski et al. .... 200/1 B  
6,271,487 B1 \* 8/2001 Domzalski et al. .... 200/1 B  
6,596,954 B1 \* 7/2003 Miyashita ..... 200/406  
6,995,324 B1 \* 2/2006 Asada ..... 200/1 B  
7,057,128 B1 \* 6/2006 Oyagi et al. .... 200/406  
2006/0131153 A1 \* 6/2006 Asada ..... 200/341

\* cited by examiner

*Primary Examiner*—Selina Sikder

(74) *Attorney, Agent, or Firm*—Akin Gump Strauss Hauer & Feld, LLP

(57) **CLAIM**

The ornamental design for a push-button switch, as shown and described.

**DESCRIPTION**

FIG. 1 is a perspective view of a push-button switch in accordance with my new design;  
FIG. 2 is a front view thereof;  
FIG. 3 is a rear view thereof;  
FIG. 4 is a left side view thereof;  
FIG. 5 is a right side view thereof;  
FIG. 6 is a plan view thereof; and,  
FIG. 7 is a bottom view thereof.

**1 Claim, 2 Drawing Sheets**

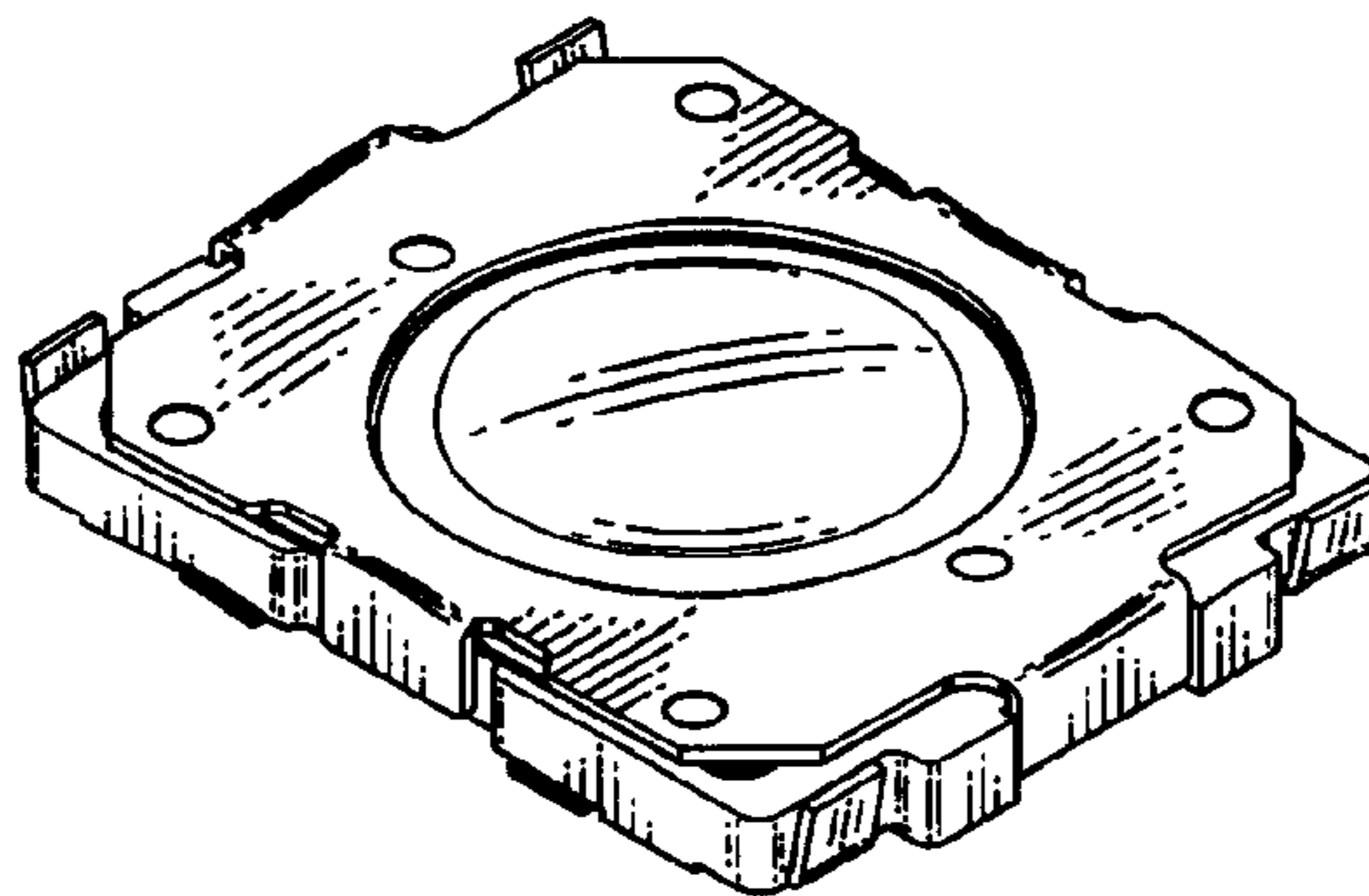


Fig. 1

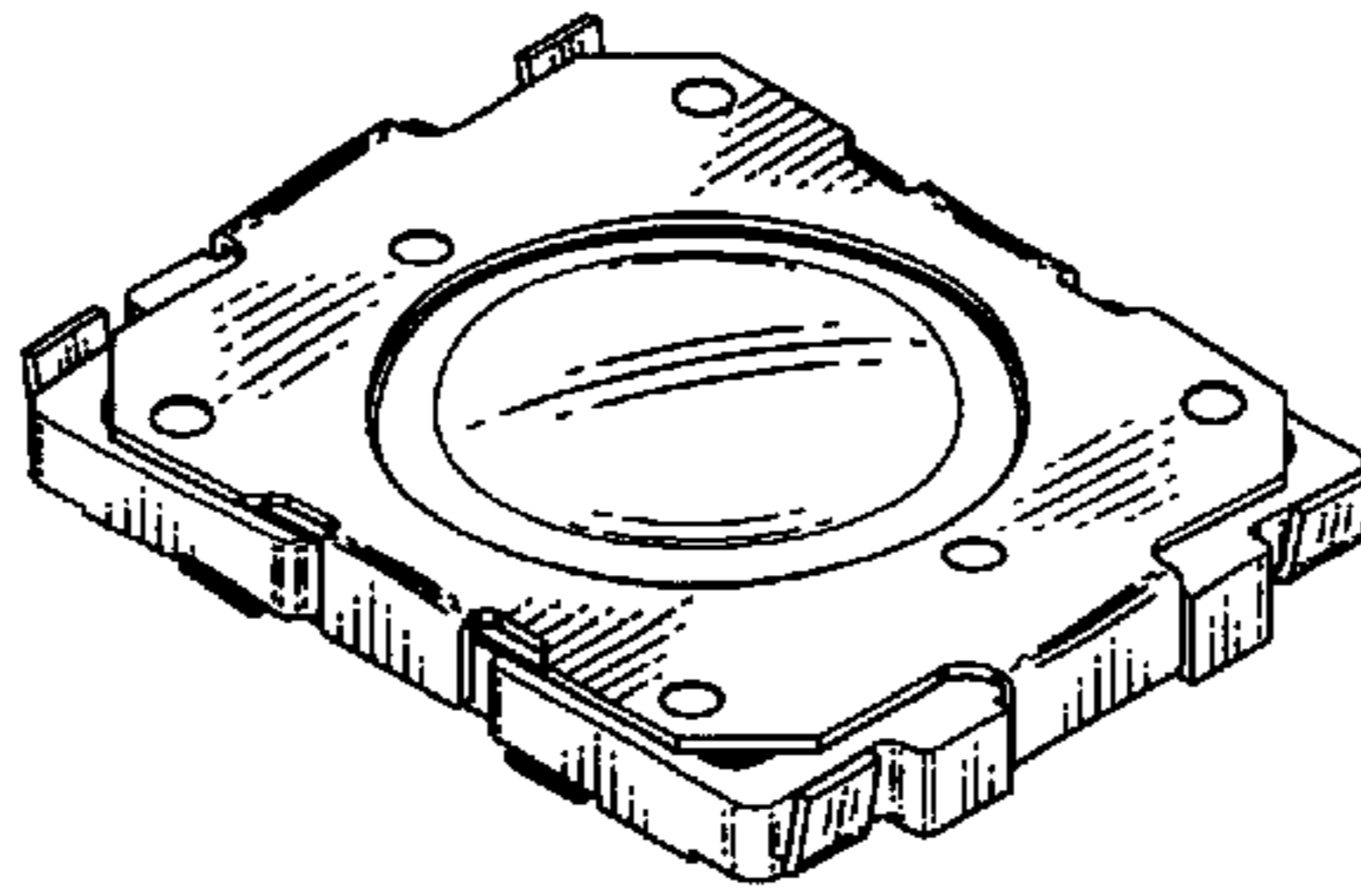


Fig. 2

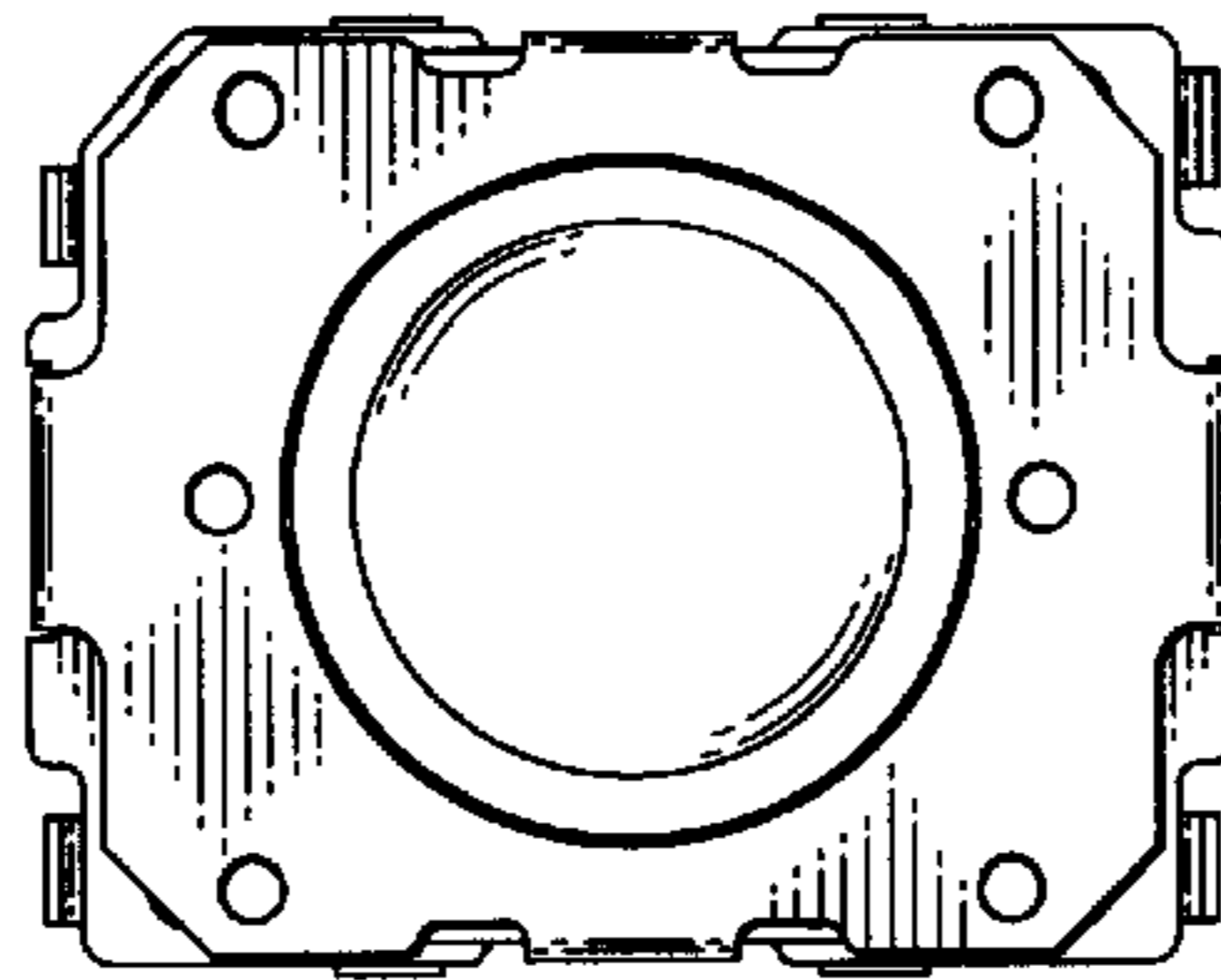


Fig. 3

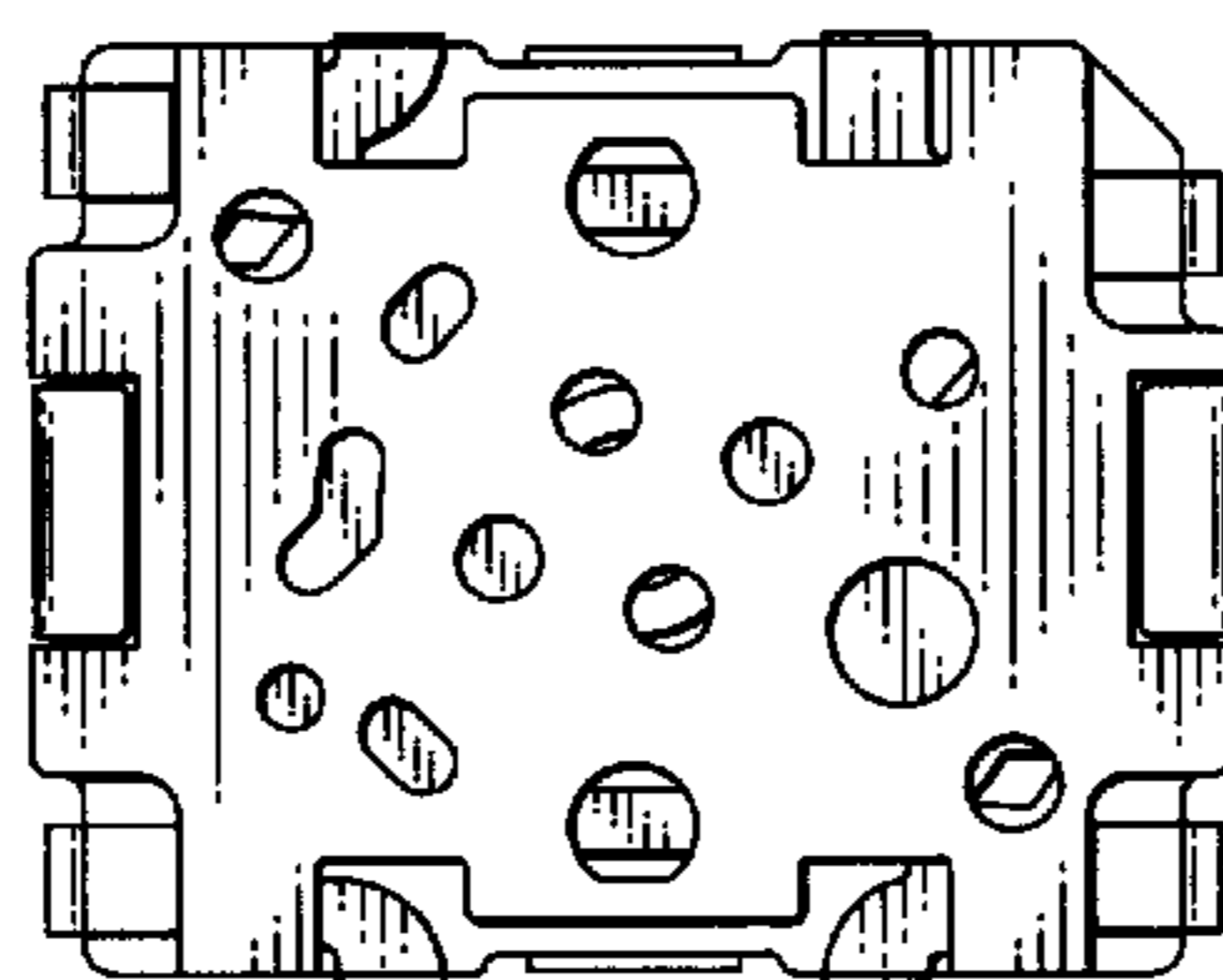


Fig. 4



Fig. 5



Fig. 6



Fig. 7

