



US00D533143S

(12) **United States Design Patent**
Jones

(10) **Patent No.:** **US D533,143 S**

(45) **Date of Patent:** **** Dec. 5, 2006**

(54) **REMOTE SWITCH WITH POWER CORD**

(76) **Inventor:** **Christopher J. Jones**, 201 Cedar
Ravine Cir., #24, Colfax, CA (US)
95713

(**) **Term:** **14 Years**

(21) **Appl. No.:** **29/234,256**

(22) **Filed:** **Jul. 14, 2005**

(51) **LOC (8) Cl.** **13-03**

(52) **U.S. Cl.** **D13/169**

(58) **Field of Classification Search** D13/152,
D13/156, 158, 159; D14/256; 200/5 A, 6 R,
200/293–297, 315, 332, 333, 335, 339, 433,
200/525, 553

See application file for complete search history.

(56) **References Cited**

U.S. PATENT DOCUMENTS

D189,579 S	*	1/1961	Larkin	D13/169
D284,956 S	*	8/1986	Bates	D13/120
D292,204 S	*	10/1987	Booty et al.	D13/156
D293,779 S	*	1/1988	Dantoft	D14/256

4,899,063 A	*	2/1990	Suck	307/9.1
D316,539 S	*	4/1991	Judd et al.	D13/158
D388,397 S	*	12/1997	Larizza	D13/168
D416,232 S	*	11/1999	Einck	D13/152

* cited by examiner

Primary Examiner—Selina Sikder

(74) *Attorney, Agent, or Firm*—Heisler & Associates

(57) **CLAIM**

The ornamental design for a remote switch with power cord,
as shown and described.

DESCRIPTION

FIG. 1 is a perspective view of the remote switch with power
cord.

FIG. 2 is a top plan view of the invention.

FIG. 3 is a left side view of the invention, the right side view
being a mirror image.

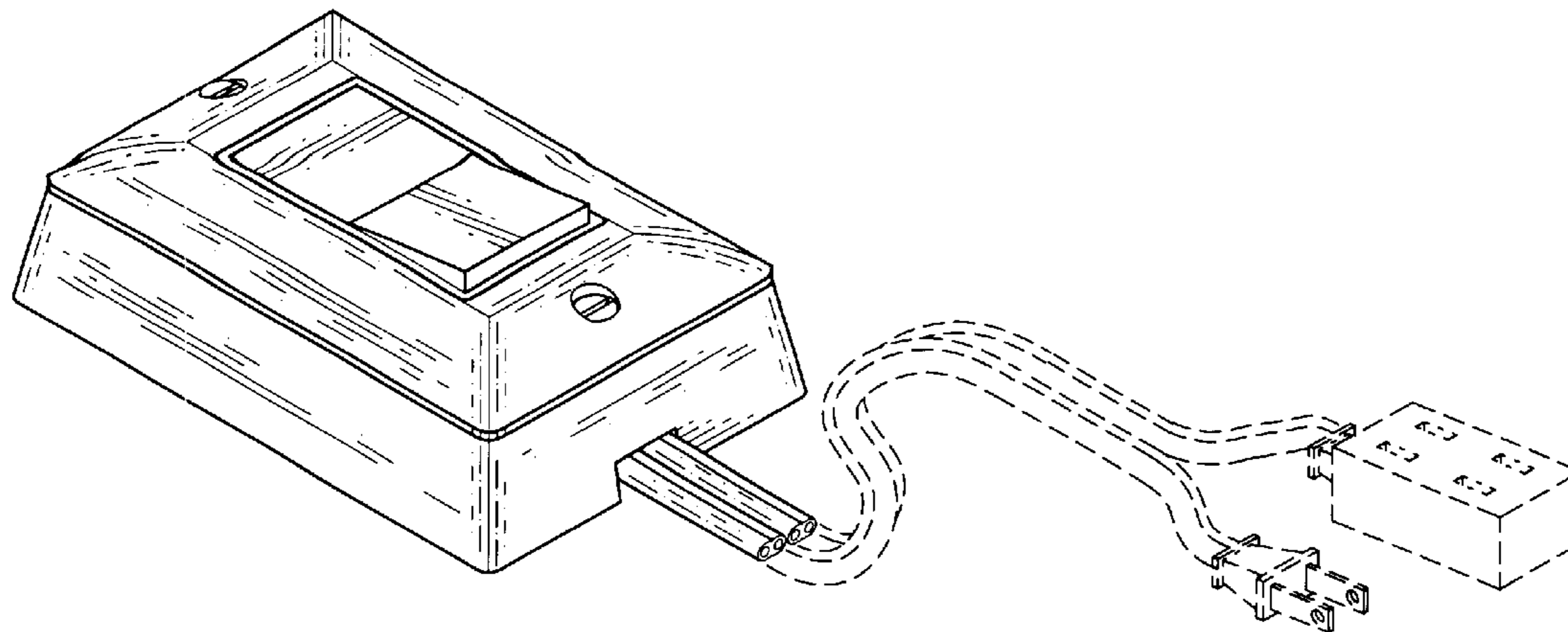
FIG. 4 is a bottom plan view of the invention.

FIG. 5 is a front elevation view of the invention; and,

FIG. 6 is a rear elevation view of the invention.

The broken lines in FIG. 1 are for purposes of illustration
only and form no part of the claimed design.

1 Claim, 1 Drawing Sheet



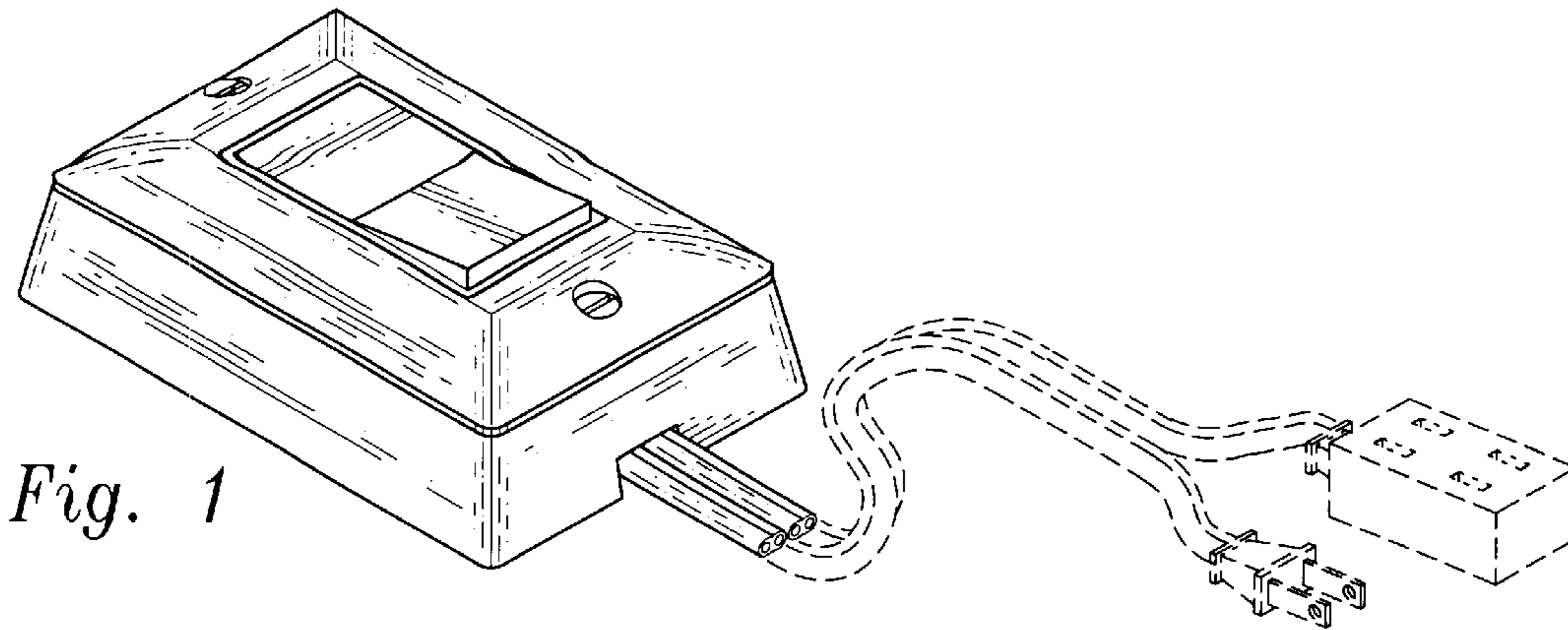


Fig. 1

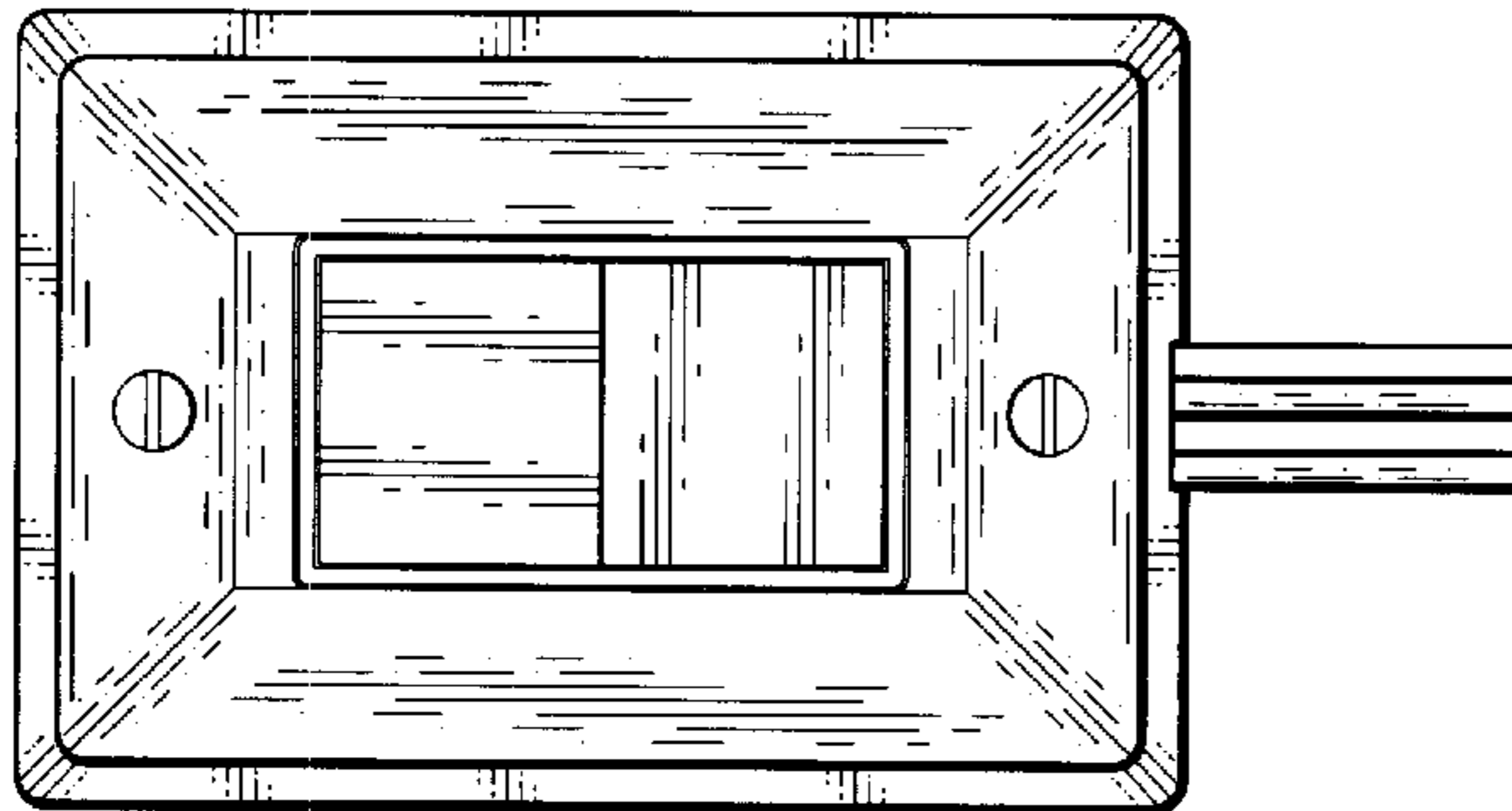


Fig. 2

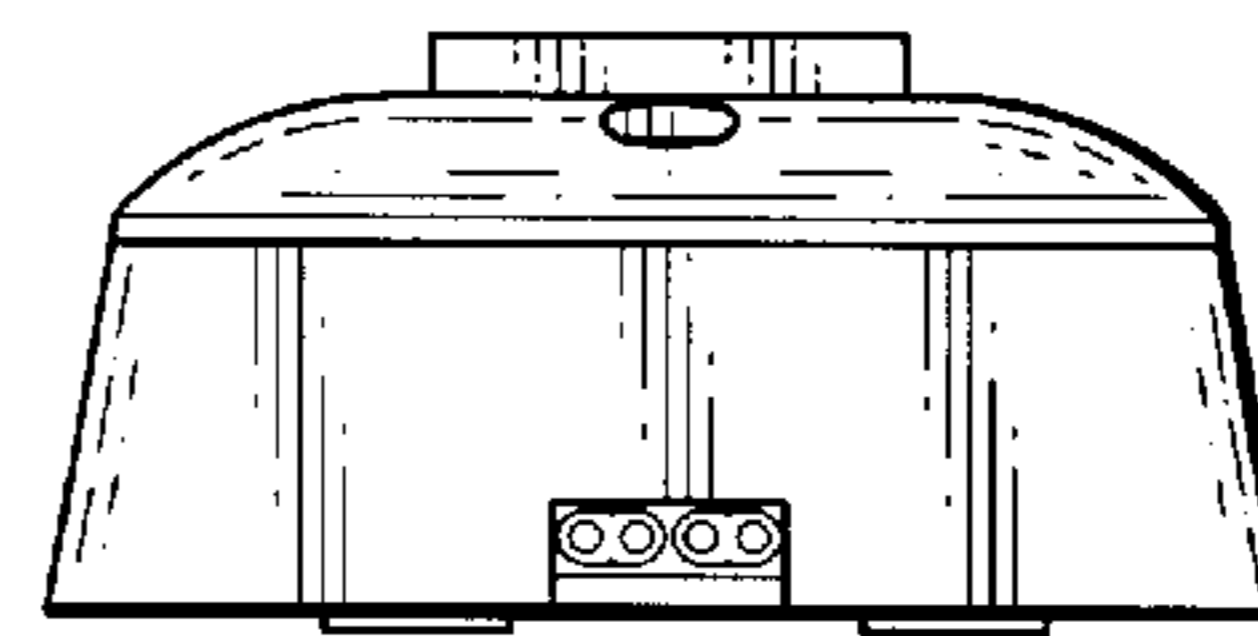


Fig. 5

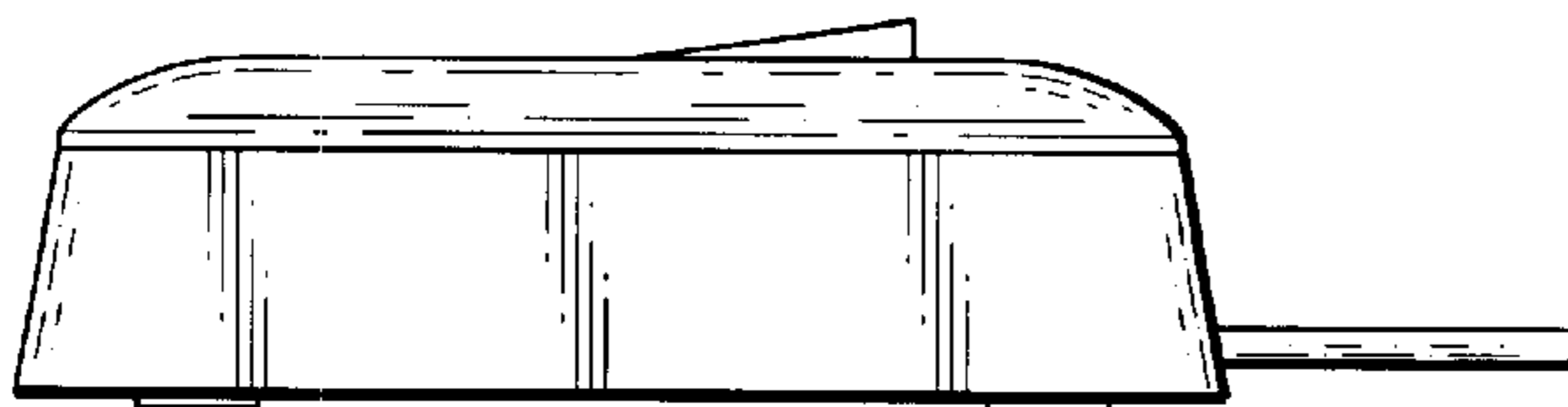


Fig. 3

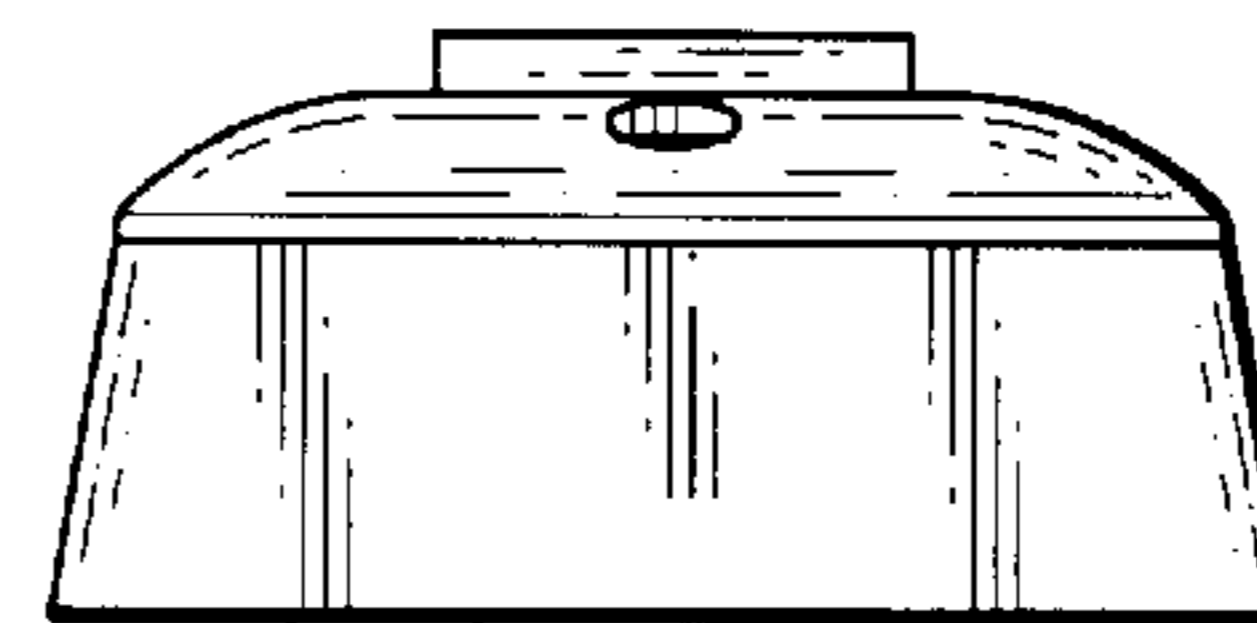


Fig. 6

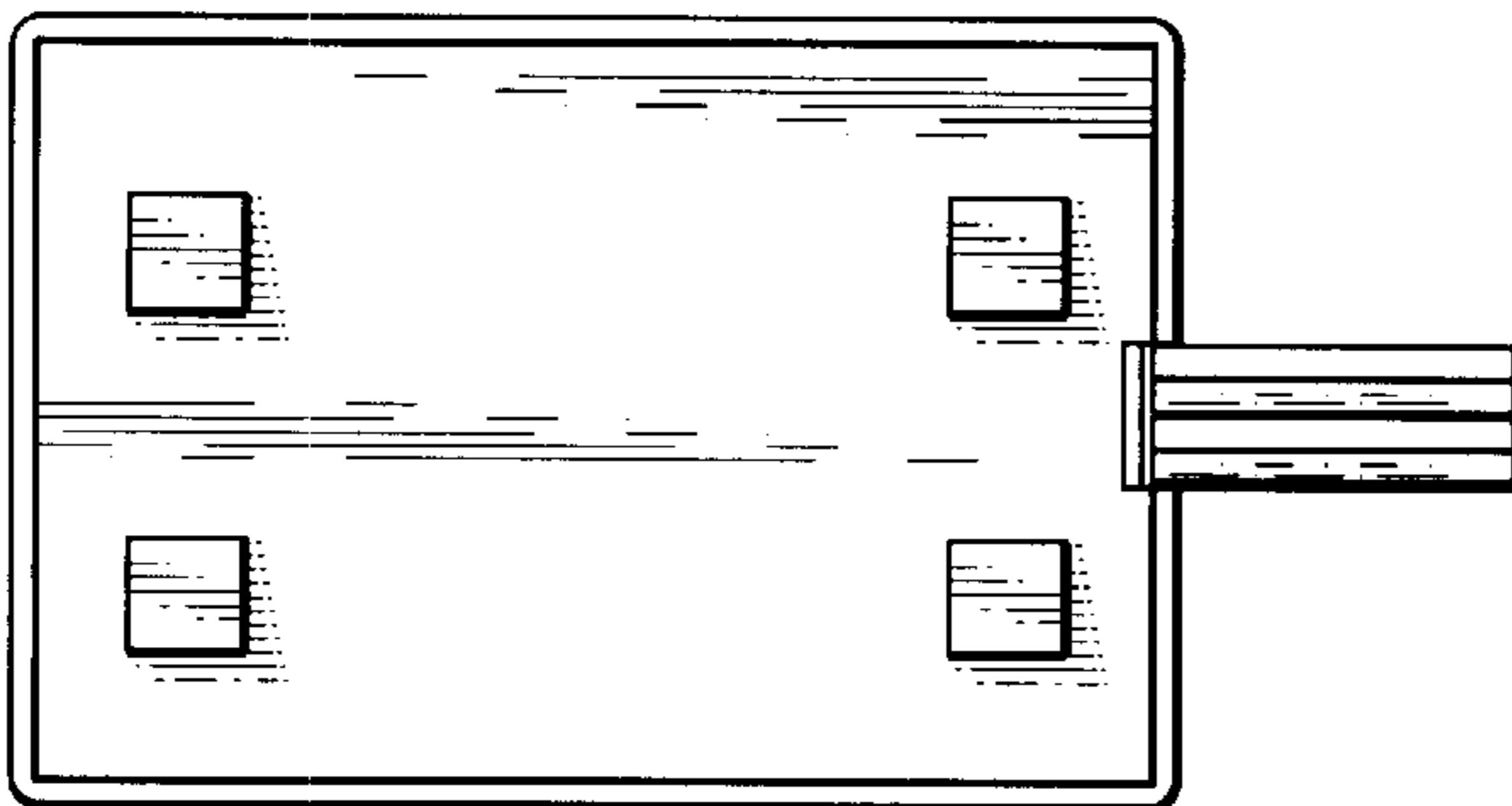


Fig. 4