



US00D533142S

(12) **United States Design Patent**
Chen et al.

(10) **Patent No.:** **US D533,142 S**

(45) **Date of Patent:** **** Dec. 5, 2006**

(54) **HANDHELD CONTROLLER FOR VEHICLES**

(75) Inventors: **Michael Chen**, Naugatuck, CT (US);
Steven Cai, Orange, CT (US); **David Sulkowski**, Guilford, CT (US)

(73) Assignee: **Ultra Electronics Measurement Systems, Inc.**, Fairfield, CT (US)

(**) Term: **14 Years**

(21) Appl. No.: **29/217,437**

(22) Filed: **Nov. 17, 2004**

(51) **LOC (8) Cl.** **13-03**

(52) **U.S. Cl.** **D13/168**

(58) **Field of Classification Search** 340/825.25,
340/825.31, 825.36, 825.69, 825.72, 426.1,
340/426.3, 5.64, 539.32, 825, 825.22, 825.24;
341/20, 22, 34, 173, 176; 379/102.01, 102.03;
701/2; 200/5 R; 446/454; 463/38; D13/168;
D3/207, 208; D10/104, 106; D14/218, 247;
70/256, 257; 307/10.1, 10.2, 10.4

See application file for complete search history.

(56) **References Cited**

U.S. PATENT DOCUMENTS

5,644,113 A * 7/1997 Date et al. 200/5 R

5,923,317 A * 7/1999 Sayler et al. 345/156
D431,604 S * 10/2000 Chan D21/329
6,459,058 B1 * 10/2002 Shinohe et al. 200/341
2001/0020934 A1 * 9/2001 Fukuda 345/161
2005/0150750 A1 * 7/2005 Huang 200/5 R

* cited by examiner

Primary Examiner—Selina Sikder

(74) *Attorney, Agent, or Firm*—Wiggin and Dana LLP;
Gregory S. Rosenblatt; Sherri Dente

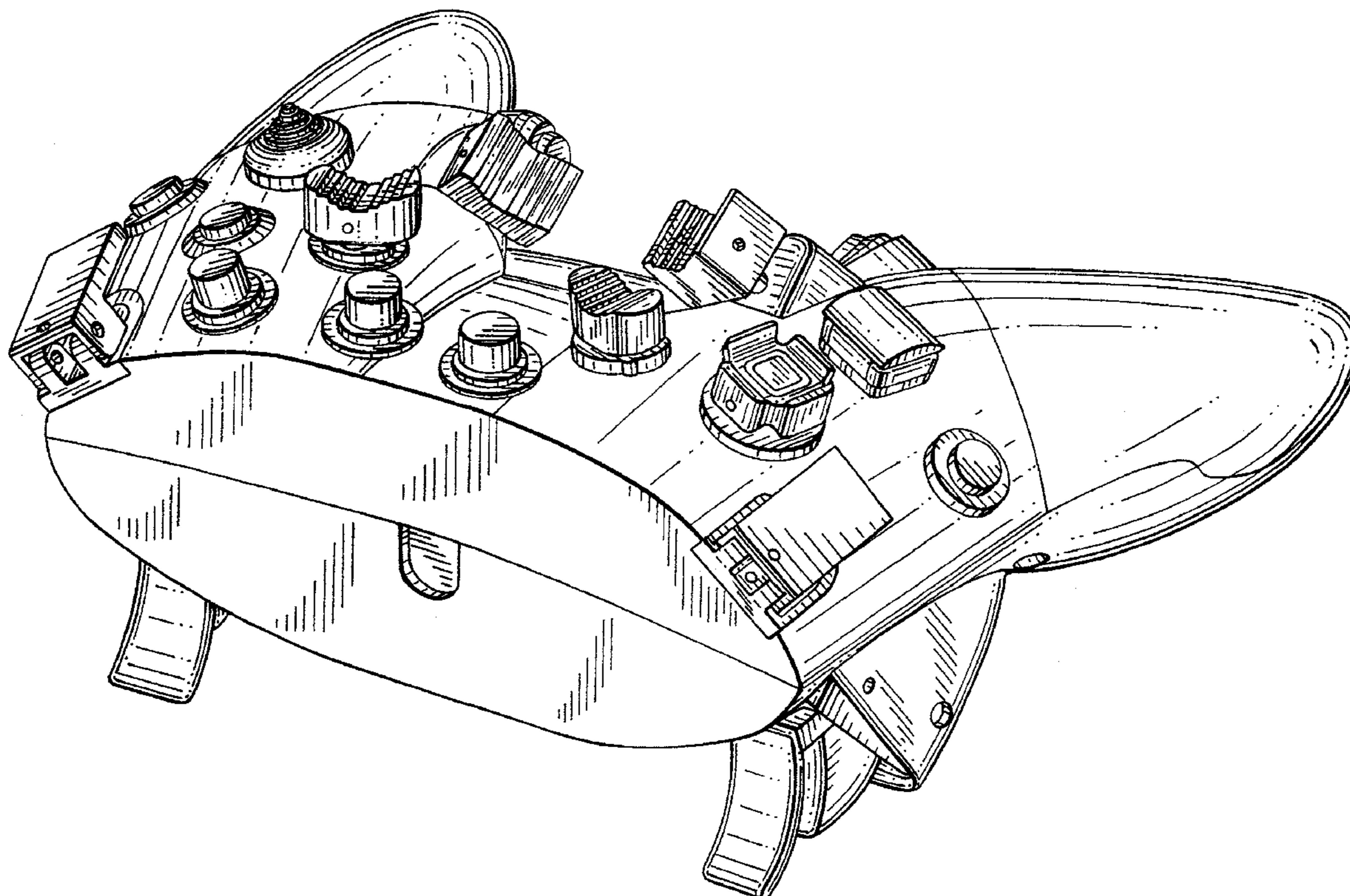
(57) **CLAIM**

We claim, the ornamental design for a handheld controller for vehicles, as shown and described.

DESCRIPTION

FIG. 1 is a front perspective view of a handheld controller for vehicles, showing our new design;
FIG. 2 is a bottom plan view thereof;
FIG. 3 is a back elevational view thereof;
FIG. 4 is a left side elevational view thereof;
FIG. 5 is a right side elevational view thereof;
FIG. 6 is a front elevational view thereof;
FIG. 7 is a top plan view thereof; and,
FIG. 8 is a rear perspective view thereof.

1 Claim, 8 Drawing Sheets



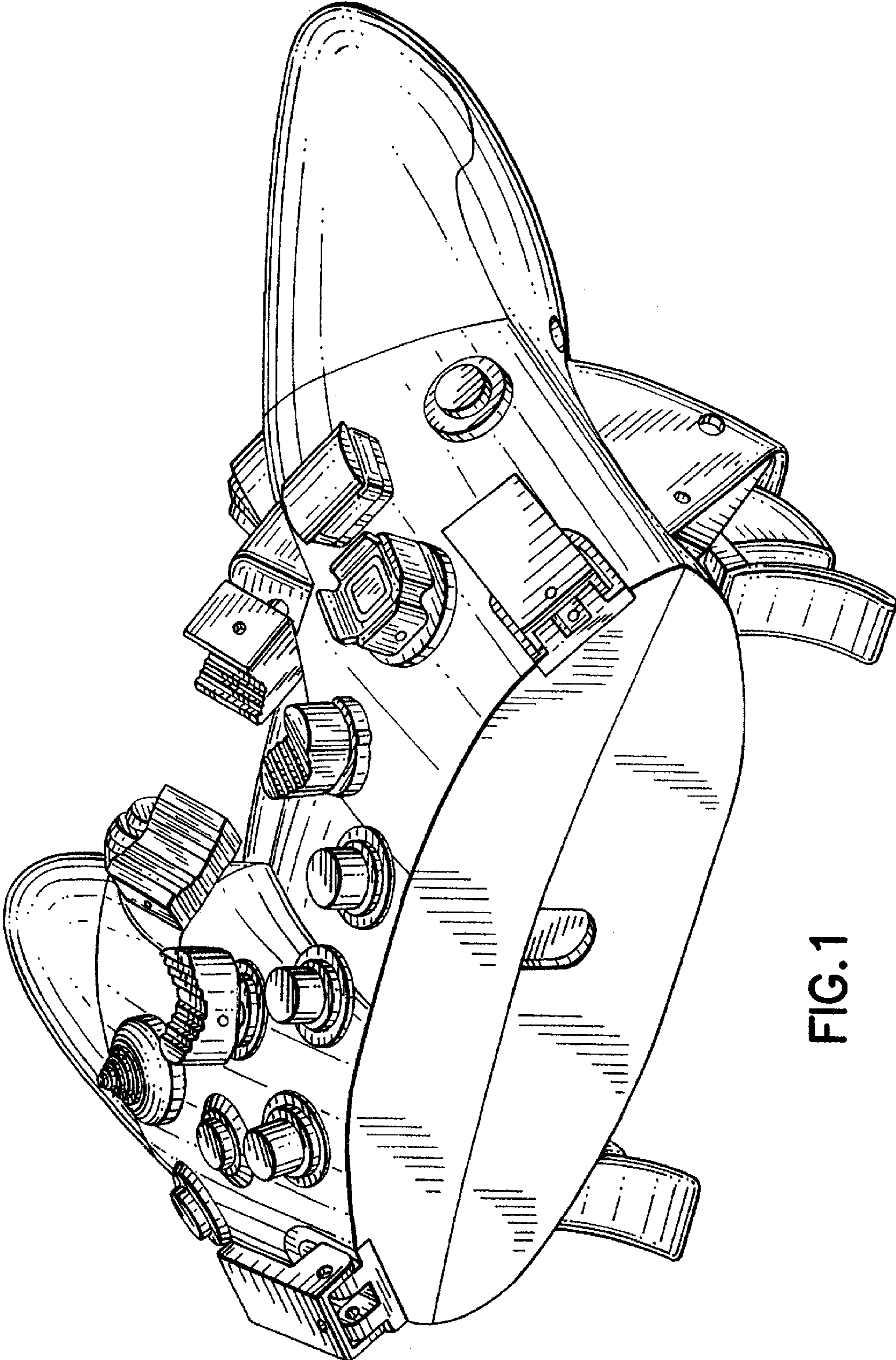


FIG.1

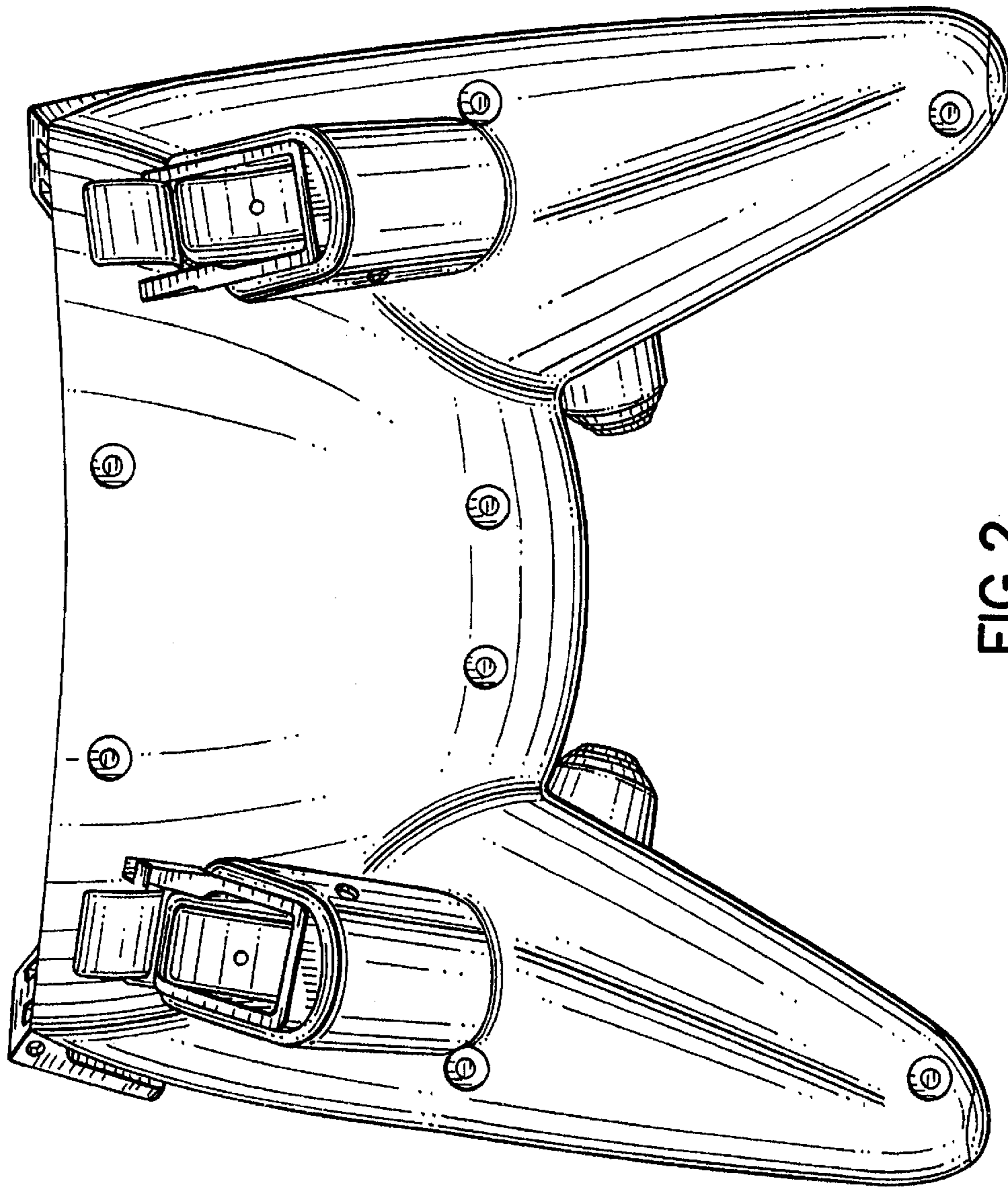


FIG. 2

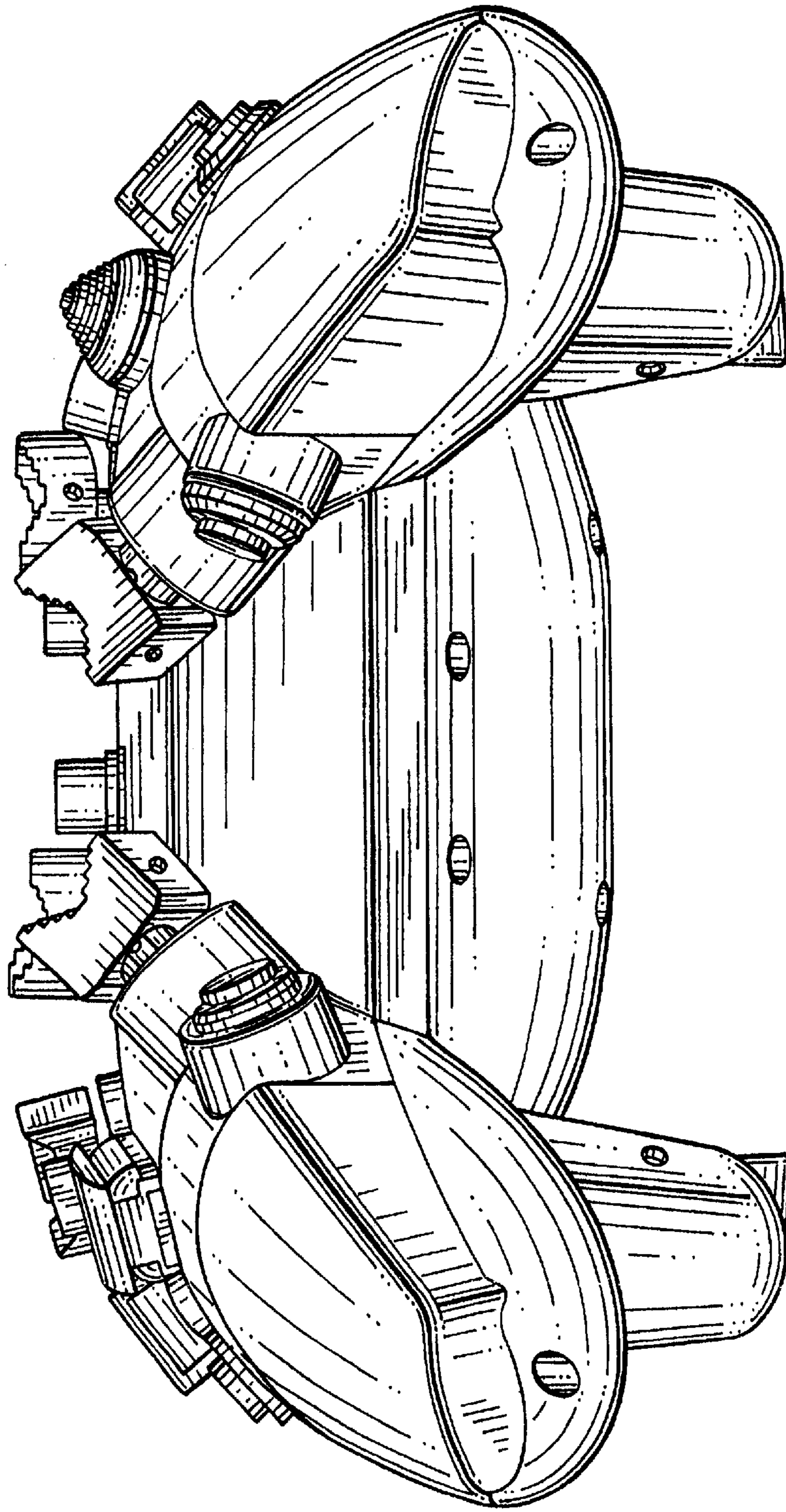


FIG. 3

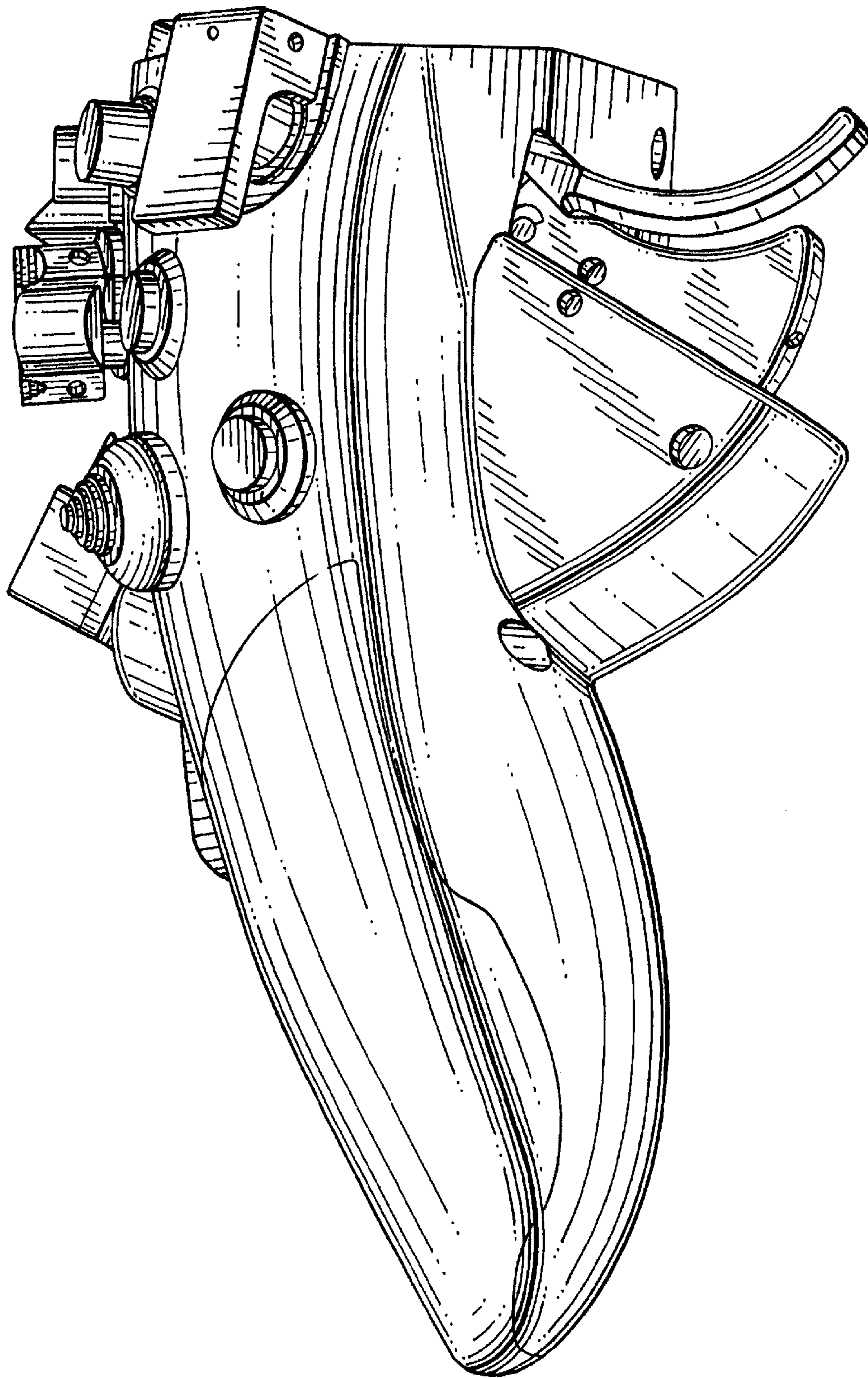


FIG.4

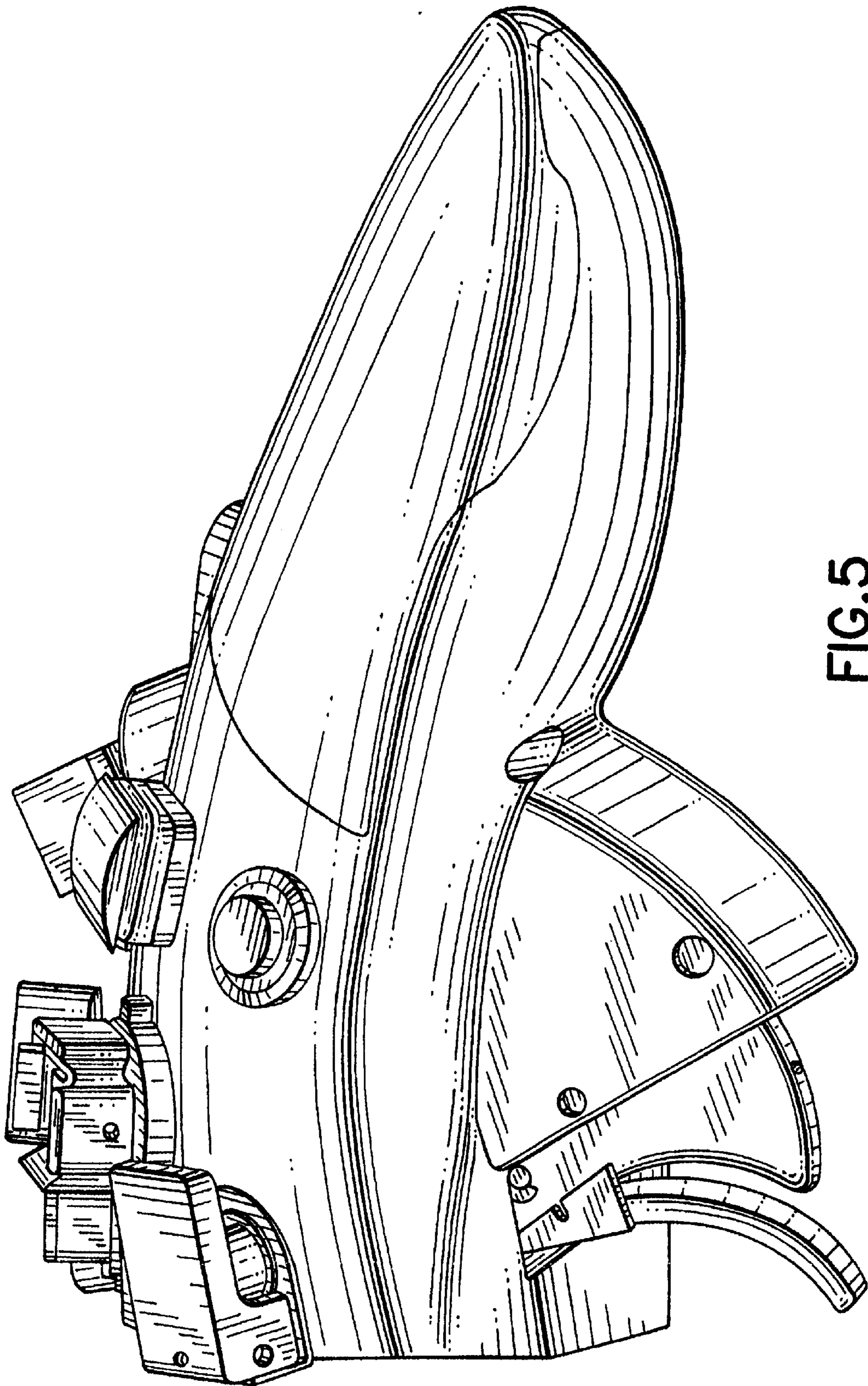


FIG.5

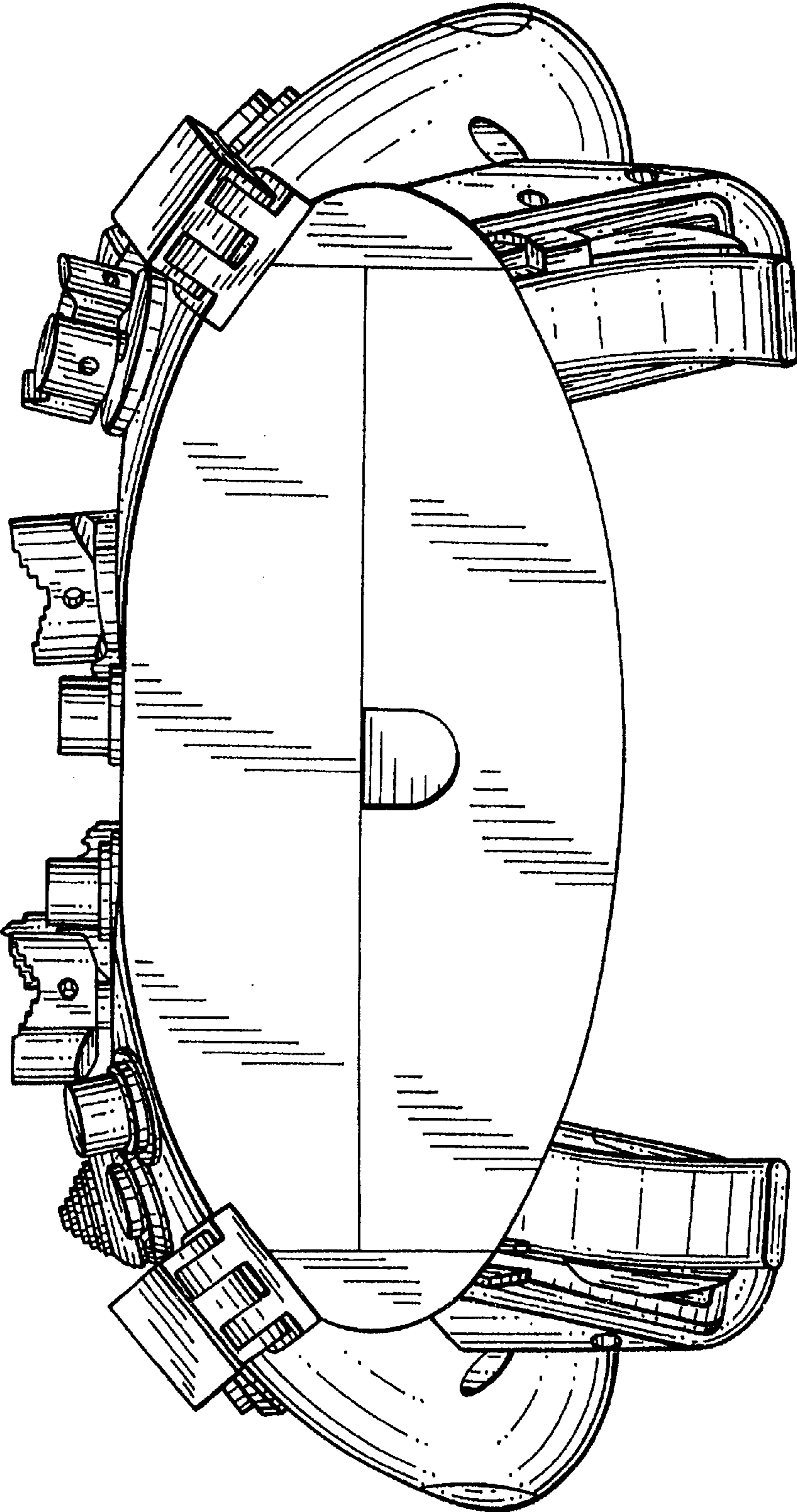


FIG.6

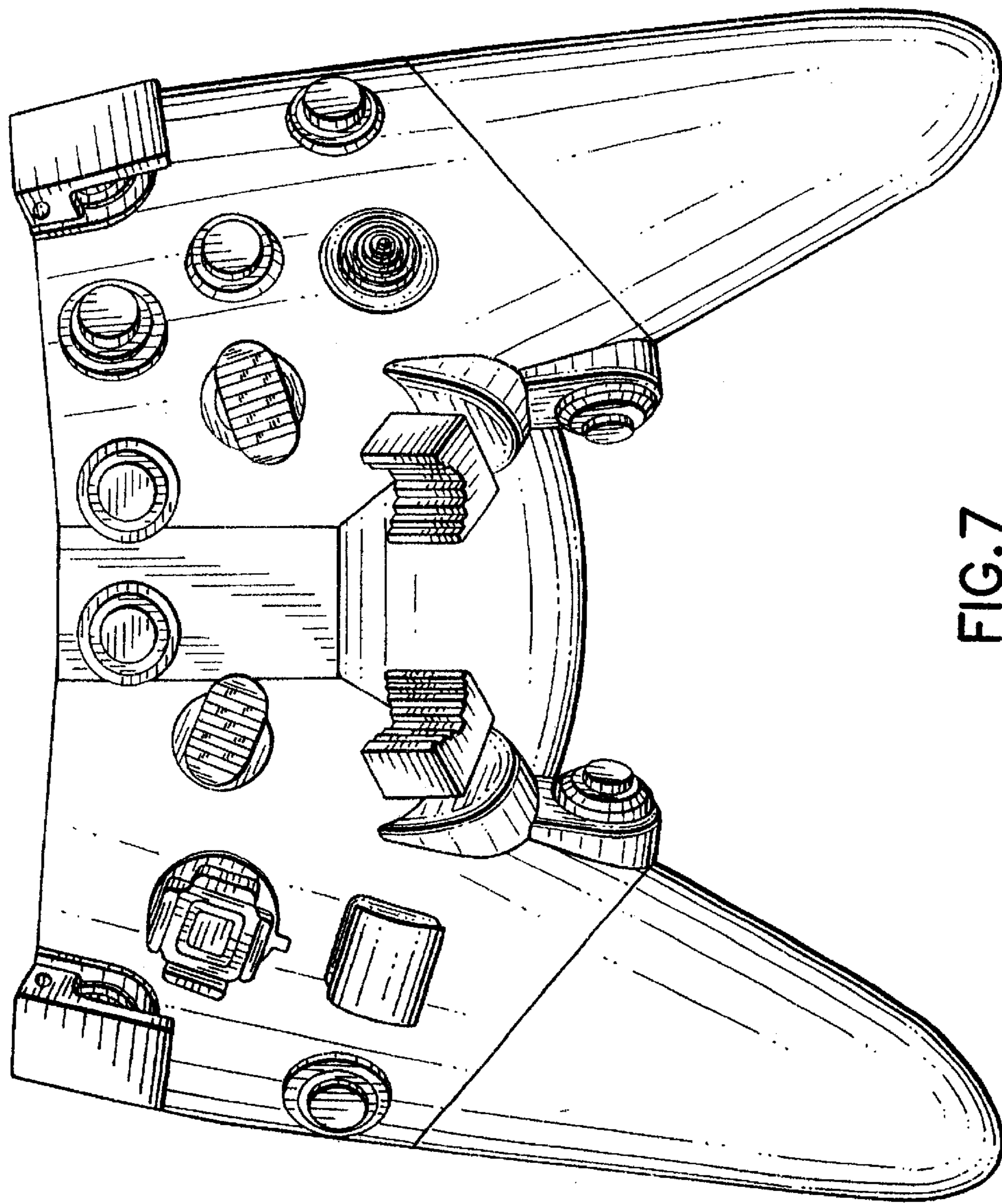


FIG. 7

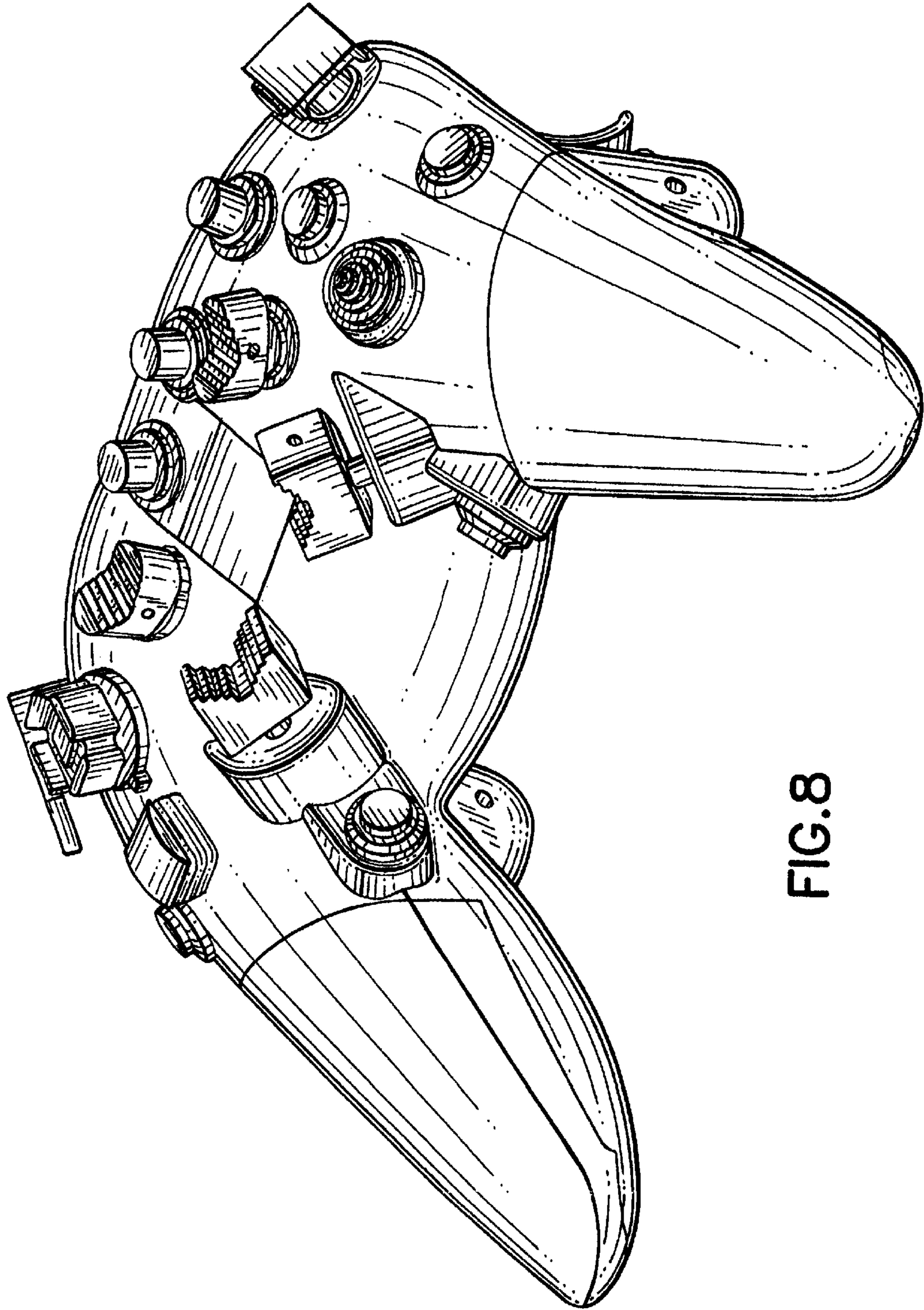


FIG. 8