



US00D533140S

(12) **United States Design Patent**  
**Motard et al.**

(10) **Patent No.:** **US D533,140 S**

(45) **Date of Patent:** **\*\* Dec. 5, 2006**

(54) **INTERFACE CONNECTOR COVER**

(75) Inventors: **Eric Motard**, Mercier (CA); **Jean-Luc Callau**, St-Lazarre (CA)

(73) Assignee: **Prestige Telecom**, Baie d'Urfé (CA)

(\*\*) Term: **14 Years**

(21) Appl. No.: **29/214,214**

(22) Filed: **Sep. 30, 2004**

(51) **LOC (8) Cl.** ..... **13-03**

(52) **U.S. Cl.** ..... **D13/156**

(58) **Field of Classification Search** ..... D13/129-133,  
D13/150, 154-156, 184; 174/74 R, 74 A,  
174/77 R, 82, 83, 89, 93, 135, 138 F, 188;  
439/278, 296, 345, 346, 380, 519, 521, 527,  
439/528, 588, 589, 750, 892, 901  
See application file for complete search history.

(56) **References Cited**

**U.S. PATENT DOCUMENTS**

- D52,955 S \* 2/1919 Hubbard et al. .... D13/155
- D52,956 S \* 2/1919 Hubbard et al. .... D13/155
- D222,263 S \* 10/1971 De Sio ..... D13/133
- D272,733 S \* 2/1984 Cosmos et al. .... D13/156

- D314,744 S \* 2/1991 Harmon ..... D13/132
- D369,782 S \* 5/1996 Hashizawa et al. .... D13/154
- D369,783 S \* 5/1996 Endo et al. .... D13/154
- D401,907 S \* 12/1998 Gazerro ..... D13/155
- D402,265 S \* 12/1998 Viklund et al. .... D13/155
- D418,114 S \* 12/1999 Hayduke et al. .... D13/156

\* cited by examiner

*Primary Examiner*—Alan P. Douglas

*Assistant Examiner*—Rosemary K. Tarcza

(74) *Attorney, Agent, or Firm*—Goudreau Gage Dubuc;  
Hugh Mansfield

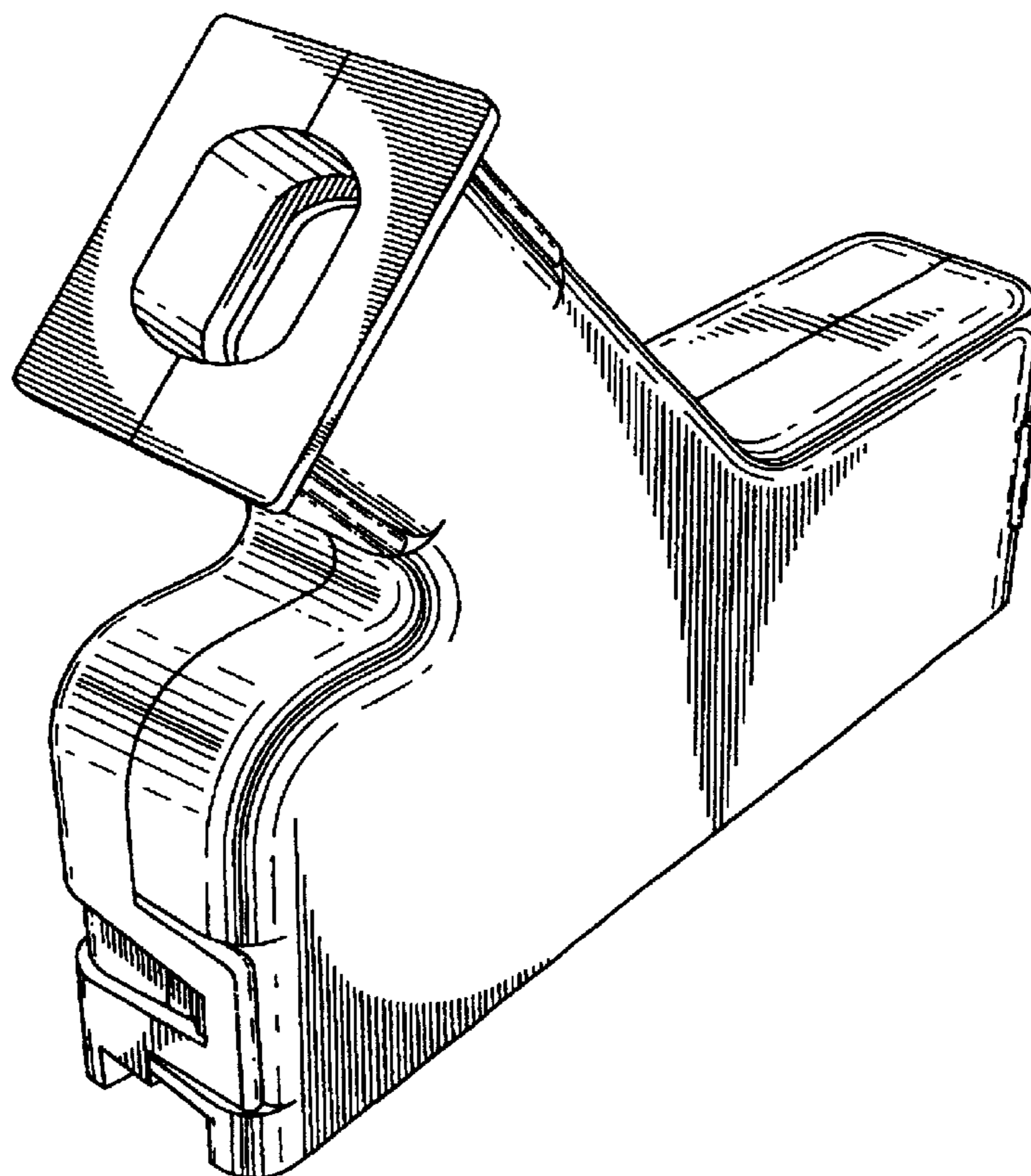
(57) **CLAIM**

The ornamental design for an interface connector cover, as shown and described.

**DESCRIPTION**

FIG. 1 is a perspective view of an interface connection cover;  
FIG. 2 is a left view thereof;  
FIG. 3 is a right view thereof;  
FIG. 4 is a rear view thereof;  
FIG. 5 is a front view thereof;  
FIG. 6 is a top plan view thereof; and,  
FIG. 7 is a bottom plan view thereof.

**1 Claim, 5 Drawing Sheets**



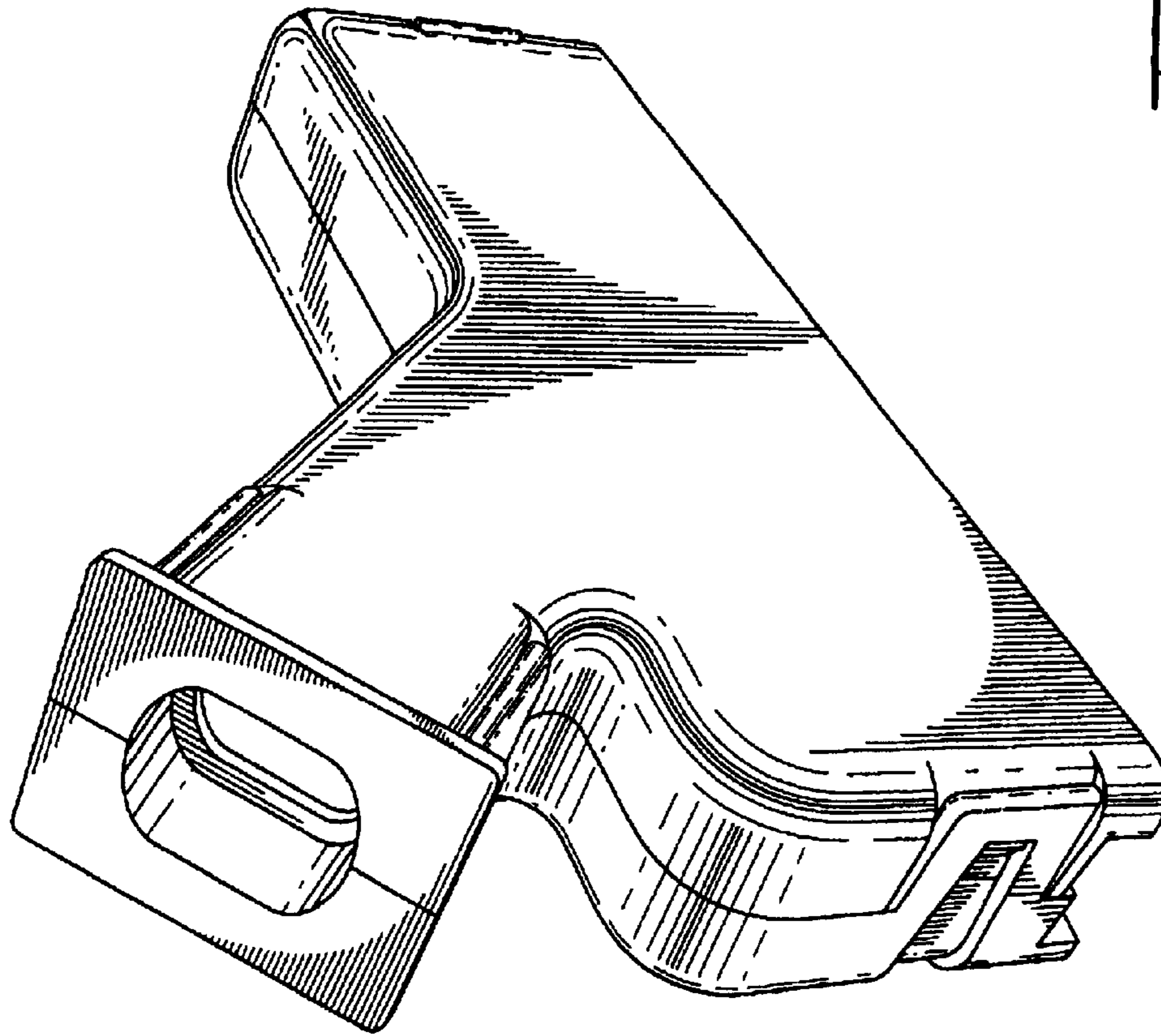


FIG. 1

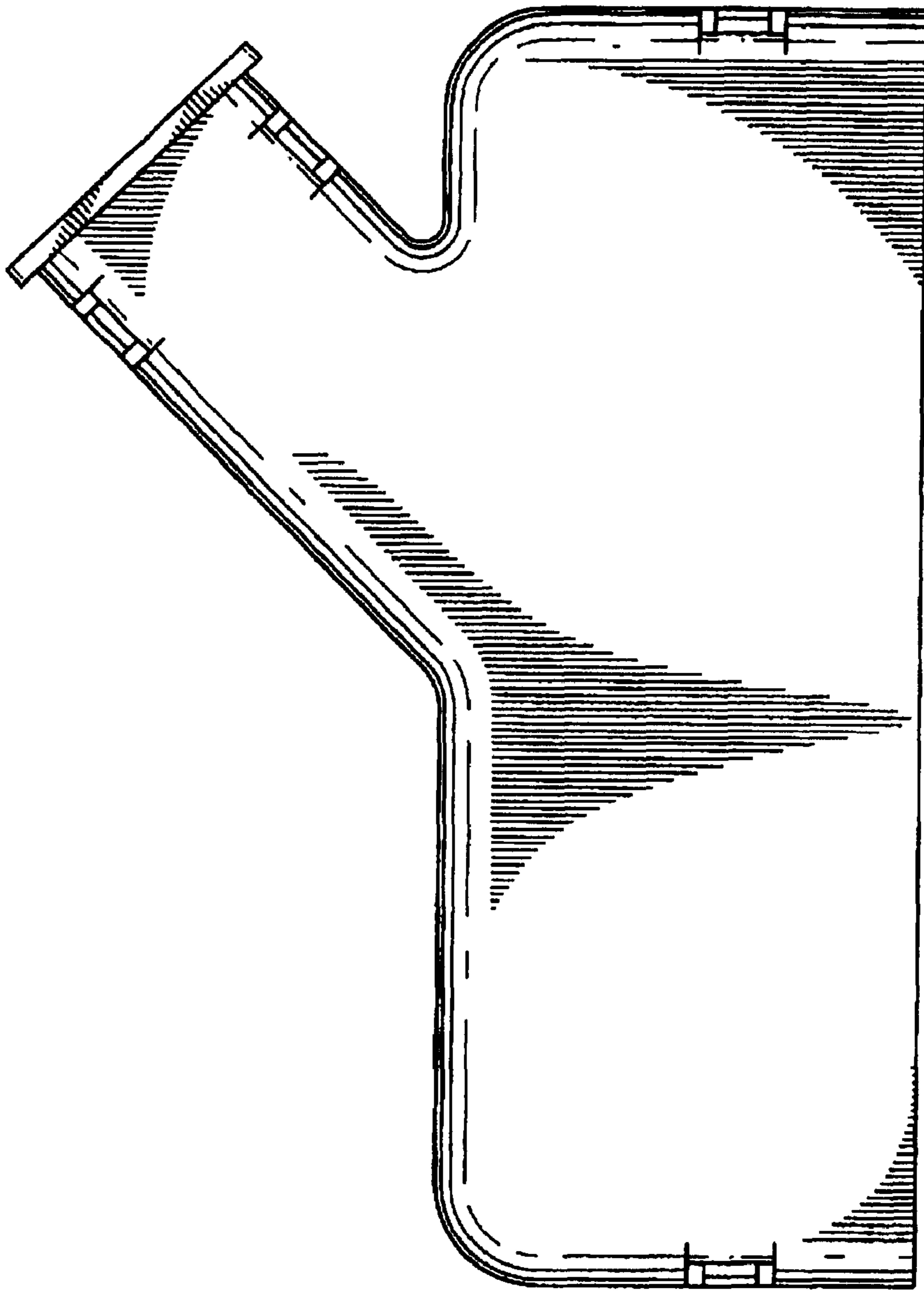


FIG. 2

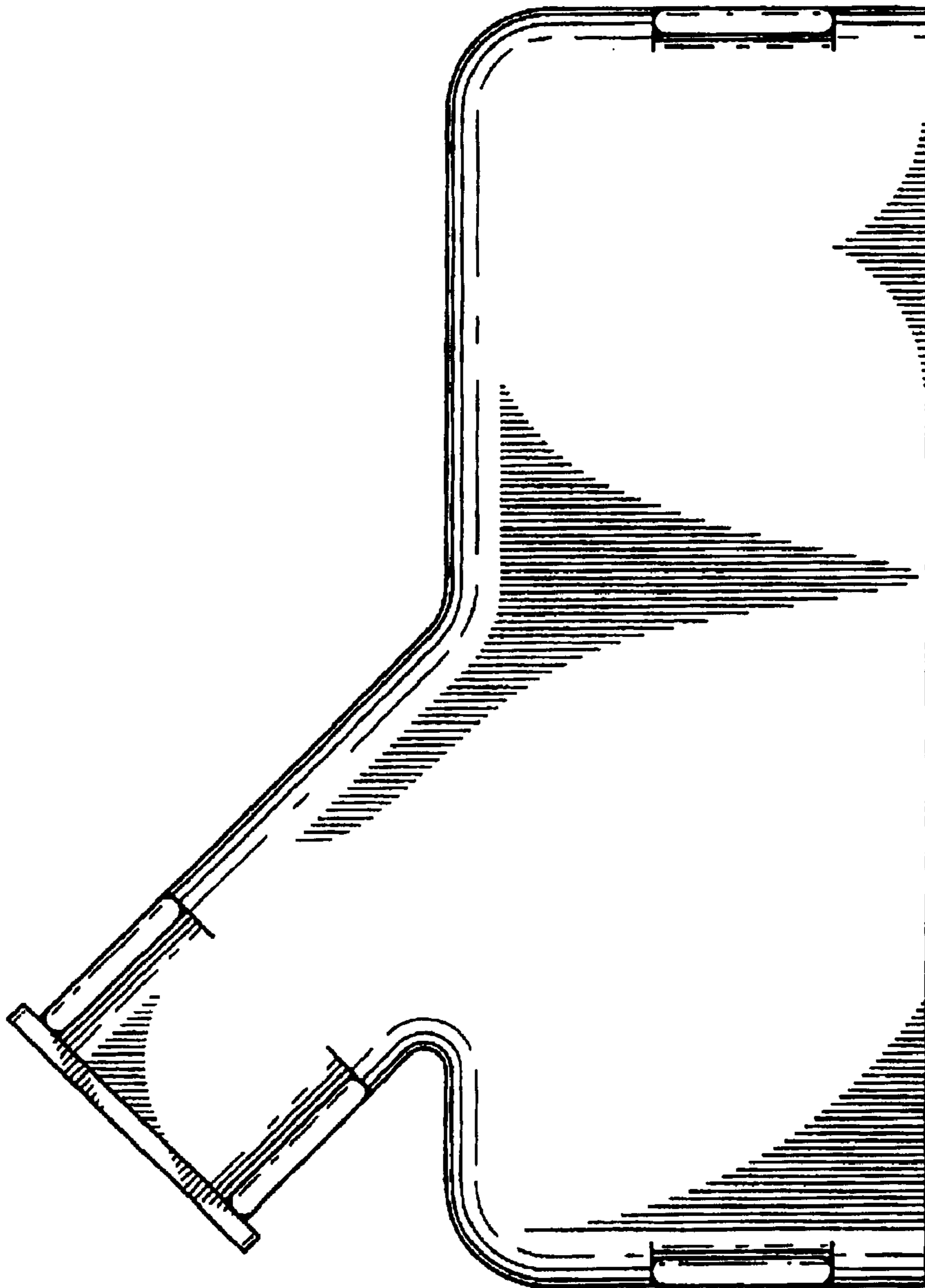


FIG. 3

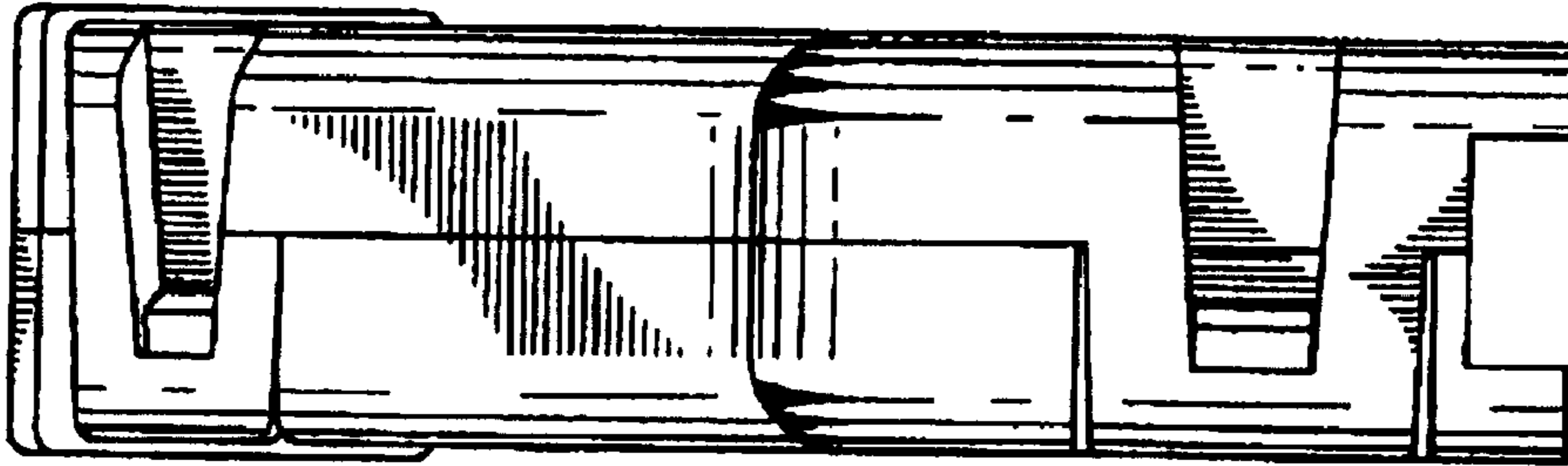


FIG. 5

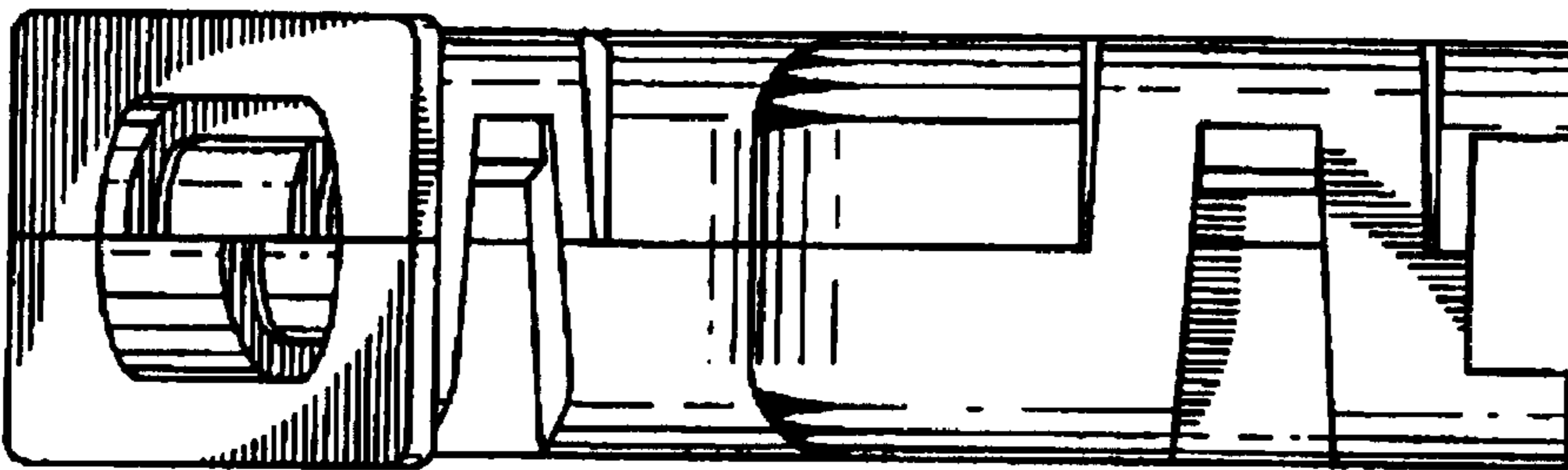


FIG. 4

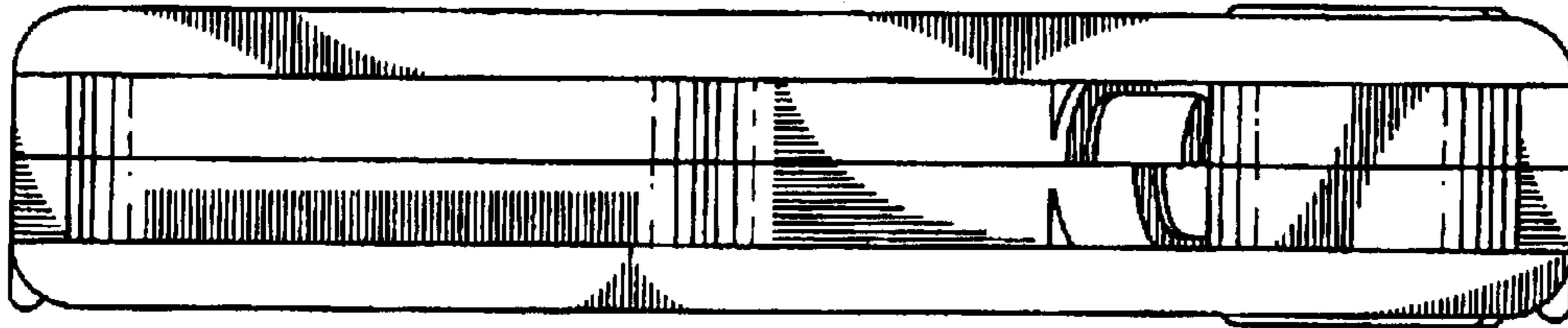


FIG. 7

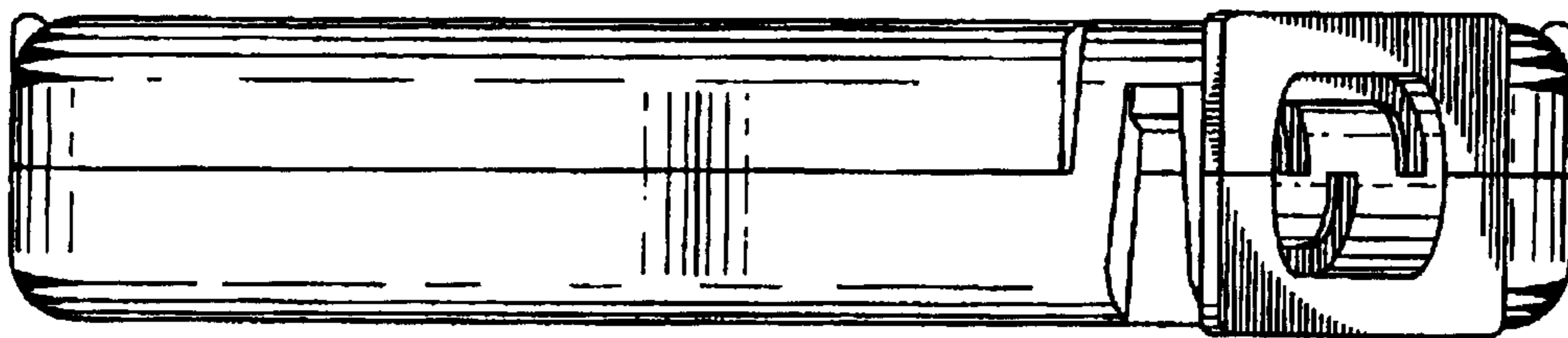


FIG. 8