



US00D533139S

(12) **United States Design Patent** (10) **Patent No.:** **US D533,139 S**
Roesch et al. (45) **Date of Patent:** **** Dec. 5, 2006**

(54) **LOW VOLTAGE ELECTRICAL ASSEMBLY**

(75) Inventors: **Mark A. Roesch**, Brecksville, OH (US); **Dennis P. Revlock, Sr.**, Medina, OH (US); **Eric G. Hull**, Madison, OH (US); **Cheryl Renee Carter**, Chardon, OH (US)

(73) Assignee: **The Lamson & Sessions Co.**, Cleveland, OH (US)

(**) Term: **14 Years**

(21) Appl. No.: **29/258,984**

(22) Filed: **May 1, 2006**

Related U.S. Application Data

(60) Division of application No. 29/201,247, filed on Mar. 11, 2004, now Pat. No. Des. 523,818, which is a continuation-in-part of application No. 10/662,801, filed on Sep. 15, 2003, now Pat. No. 6,812,405.

(51) **LOC (8) Cl.** **13-03**

(52) **U.S. Cl.** **D13/152**

(58) **Field of Classification Search** D13/152-154, D13/156, 158, 173, 184, 199; 174/48, 50, 174/53, 57, 58; 220/3.2-3.4, 3.7-3.9, 4.02; 248/906; 439/535, 536

See application file for complete search history.

(56) **References Cited**

U.S. PATENT DOCUMENTS

1,090,805 A	*	3/1914	Wagner	220/3.9
1,206,431 A		11/1916	Graybill	220/3.4
1,818,317 A		8/1931	Gilmore	220/3.6
1,857,787 A		5/1932	Meeks et al.	220/3.94
1,963,951 A		6/1934	Bowers	220/3.92
2,644,600 A		7/1953	Senif	220/3.9
3,040,926 A		6/1962	Palmer	220/3.9
3,601,276 A		8/1971	Culpepper	220/3.8
3,676,571 A		7/1972	Rubinstein	174/65
3,701,451 A		10/1972	Schindler et al.	220/27
3,724,795 A		4/1973	Callanan	174/58
D229,064 S	*	11/1973	Powell	D13/152

3,862,351 A	1/1975	Schindler et al.	174/58
3,863,021 A	1/1975	Schindler et al.	174/53
3,863,037 A	1/1975	Schindler et al.	174/58
RE28,489 E	7/1975	Schindler et al.	174/58
3,917,101 A	11/1975	Ware	220/3.2
3,926,330 A	* 12/1975	Deming et al.	220/3.9
D245,905 S	* 9/1977	Taylor	D13/184
D245,906 S	* 9/1977	Taylor	D13/184
4,135,337 A	1/1979	Medlin	52/221
4,140,293 A	2/1979	Hansen	248/217.2
4,165,443 A	8/1979	Figart et al.	174/53
4,202,457 A	* 5/1980	Tansi	220/3.3
4,214,668 A	7/1980	Neff et al.	174/50
4,335,271 A	6/1982	Haslbeck	174/65 R

(Continued)

OTHER PUBLICATIONS

Article from Electrical Product News entitled "New Union Dual Voltage Nonmetallic Box Introduced by Thomas & Betts"; Feb. 2001, p. 7.

Carlson catalog entitled "Carlson Zip Box Blue Nonmetallic Outlet and Switch Boxes," Jul. 2003, 20 pp.

Primary Examiner—M. H. Tung

Assistant Examiner—Rosemary K. Tarcza

(74) *Attorney, Agent, or Firm*—Jones Day & Sessions

(57) **CLAIM**

The ornamental design for a low voltage electrical assembly, as shown and described.

DESCRIPTION

FIG. 1 is a perspective view of a low voltage electrical assembly of our new design;

FIG. 2 is a front view thereof;

FIG. 3 is a rear view thereof;

FIG. 4 is a left side view thereof;

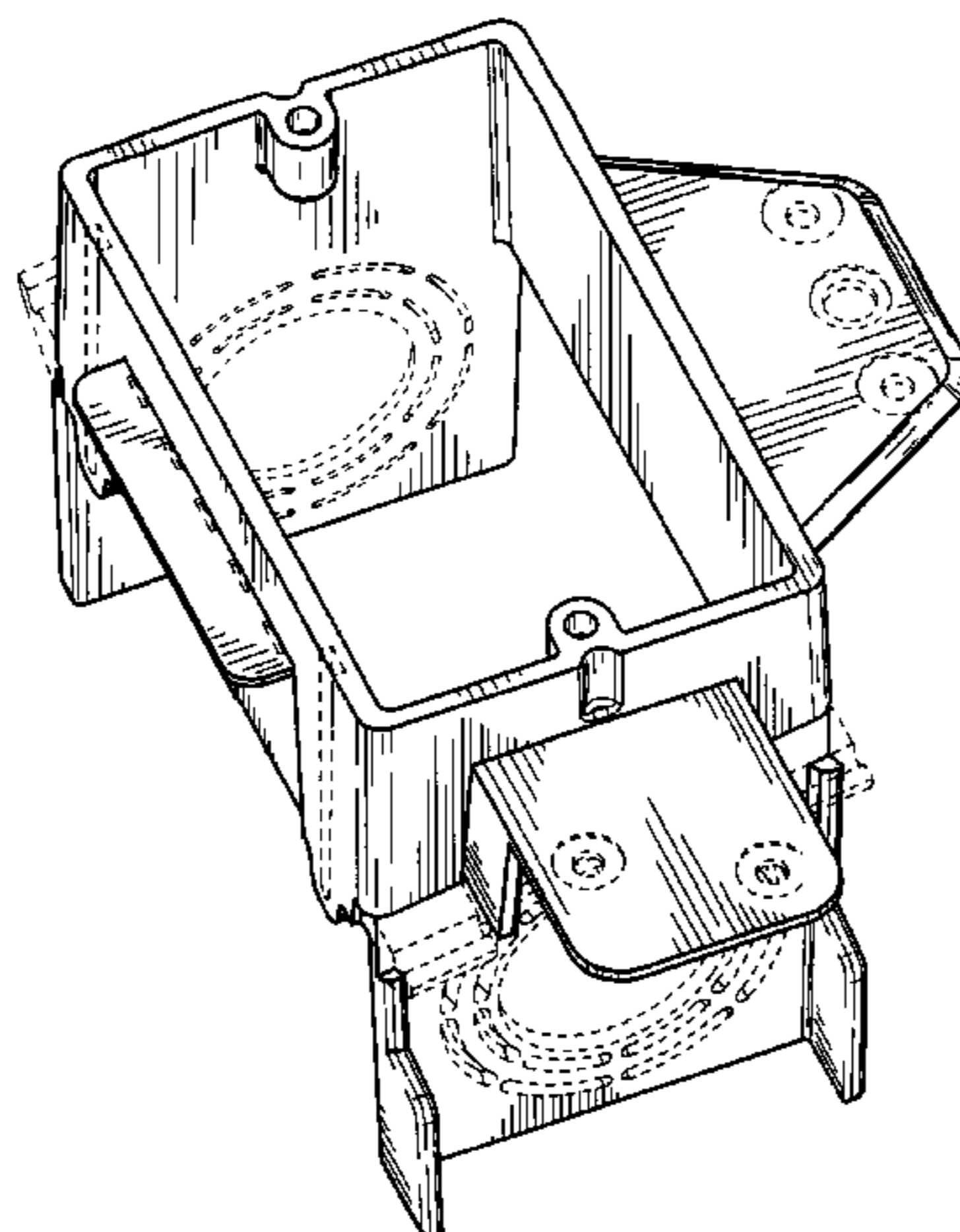
FIG. 5 is a right side view thereof;

FIG. 6 is a top view thereof; and,

FIG. 7 is a bottom view thereof.

The broken design showings of FIGS. 1-7 are for illustrative purposes only and form no part of the claimed design.

1 Claim, 3 Drawing Sheets



U.S. PATENT DOCUMENTS

4,348,547 A	9/1982	Bowden, Jr.	174/65 R	5,710,392 A	1/1998	Bordwell et al.	174/50
4,447,030 A	5/1984	Nattel	248/27.1	5,717,164 A	2/1998	Shetterly	174/58
4,483,453 A	11/1984	Smolik	174/58	5,744,753 A	4/1998	Nattel	174/58
4,497,416 A	2/1985	Smolik	220/3.5	5,789,706 A	8/1998	Perkins	174/65
4,533,060 A	8/1985	Medlin	220/3.9	5,810,303 A	9/1998	Bourassa et al.	248/205.1
4,569,458 A	2/1986	Horsley	220/3.6	5,833,110 A	11/1998	Chandler et al.	220/3.9
4,572,391 A	2/1986	Medlin	220/3.9	5,841,068 A	11/1998	Umstead et al.	174/58
4,612,412 A	9/1986	Johnston	174/65 R	D404,715 S	1/1999	Almond	D13/152
4,673,097 A	6/1987	Schuldt	220/3.2	5,863,016 A	1/1999	Makwinski et al.	248/27.1
4,724,281 A	2/1988	Nix et al.	174/53	D405,422 S	2/1999	Tennefoss et al.	D13/152
4,747,506 A	5/1988	Stuchlik, III	220/3.6	5,883,331 A	3/1999	Reiker	174/54
4,757,158 A	7/1988	Lentz	174/53	5,965,844 A	10/1999	Lippa	174/49
4,794,207 A	12/1988	Norberg et al.	174/48	5,998,732 A	12/1999	Caveney et al.	174/48
4,843,189 A	6/1989	Jorgensen et al.	174/53	D422,266 S	4/2000	Roesch	D13/152
4,844,275 A	7/1989	Schnell et al.	220/3.9	6,051,785 A	4/2000	Baldwin et al.	174/54
4,927,039 A	5/1990	McNab	220/3.7	6,057,509 A	5/2000	Simmons	174/53
4,954,667 A *	9/1990	Jorgensen et al.	174/53	D427,889 S	7/2000	Gretz	D8/354
4,964,525 A	10/1990	Coffey et al.	220/3.9	6,091,023 A	7/2000	O'Donnell	174/57
4,968,855 A	11/1990	Le Paillier	174/48	6,093,890 A	7/2000	Gretz	174/58
5,005,792 A	4/1991	Rinderer	248/205.1	6,103,974 A	8/2000	Erdfarb	174/66
5,014,043 A	5/1991	Lopetrone et al.	340/664	6,108,331 A	8/2000	Thompson	370/352
5,025,944 A	6/1991	Rodick	220/3.3	6,147,304 A	11/2000	Doherty	174/48
5,064,386 A	11/1991	Dale et al.	439/535	6,170,685 B1 *	1/2001	Currier	220/3.3
5,114,365 A	5/1992	Thompson et al.	439/540	6,194,657 B1	2/2001	Gretz	174/53
5,125,527 A	6/1992	Parlatore et al.	220/266	6,204,450 B1	3/2001	Reiker	174/58
D331,040 S *	11/1992	Mielko	D13/152	6,207,898 B1	3/2001	Reiker	174/61
5,243,134 A	9/1993	Nattel	174/53	6,242,696 B1	6/2001	Reiker	174/62
D341,353 S	11/1993	O	D13/152	6,281,439 B1	8/2001	Reiker	174/62
5,263,676 A	11/1993	Medlin, Jr. et al.	248/300	6,300,567 B1	10/2001	Hayduke et al.	174/58
5,287,665 A	2/1994	Rath, Jr.	174/48	6,323,424 B1	11/2001	He	174/58
D345,142 S	3/1994	Porter	D13/156	6,376,770 B1	4/2002	Hyde	174/50
5,289,934 A	3/1994	Smith et al.	220/3.7	D457,140 S	5/2002	Roesch et al.	D13/152
5,301,437 A	4/1994	Burke	33/562	6,384,336 B1	5/2002	VanderVelde et al.	174/48
5,354,953 A	10/1994	Nattel et al.	174/54	D462,664 S	9/2002	Roesch et al.	D13/152
5,357,055 A	10/1994	Sireci	174/48	D463,376 S	9/2002	Roesch et al.	D13/152
5,386,959 A	2/1995	Laughlin et al.	248/205.1	6,484,980 B1	11/2002	Medlin, Sr. et al.	248/205.1
5,408,045 A	4/1995	Jorgensen et al.	174/58	6,624,355 B1	9/2003	Gretz	174/59
5,448,011 A	9/1995	Laughlin	174/48	6,870,101 B1	3/2005	Hull et al.	174/58
5,450,974 A	9/1995	Lippa	220/3.9	D510,323 S	10/2005	Hawken	D13/152
5,486,650 A	1/1996	Yetter	174/53	D513,495 S *	1/2006	Hull et al.	D13/152
5,509,560 A	4/1996	Nash	220/3.9	2003/0024725 A1	2/2003	Lalancette et al.	174/58
5,579,939 A	12/1996	Bourassa	220/3.3	2004/0182857 A1 *	9/2004	Feyes et al.	220/3.2
5,594,207 A	1/1997	Fabian et al.	174/58	2005/0056449 A1	3/2005	Roesch et al.	174/58
5,595,362 A	1/1997	Rinderer et al.	248/27.1	2005/0056450 A1	3/2005	Hull et al.	174/58
5,596,174 A	1/1997	Sapienza	174/57	2005/0072590 A1	4/2005	Hull et al.	174/58
5,598,998 A	2/1997	Lynn	248/300	2005/0072778 A1	4/2005	Hull et al.	220/3.2
5,600,093 A	2/1997	Herth et al.	174/53	2005/0092506 A1	5/2005	Hull et al.	174/50
5,639,991 A *	6/1997	Schuetz	174/58	2005/0199621 A1	9/2005	Hull et al.	220/3.2
5,646,371 A	7/1997	Fabian	174/58	2006/0108362 A1 *	5/2006	Lalancette	220/3.7
5,677,512 A	10/1997	Reiker	174/58				

* cited by examiner

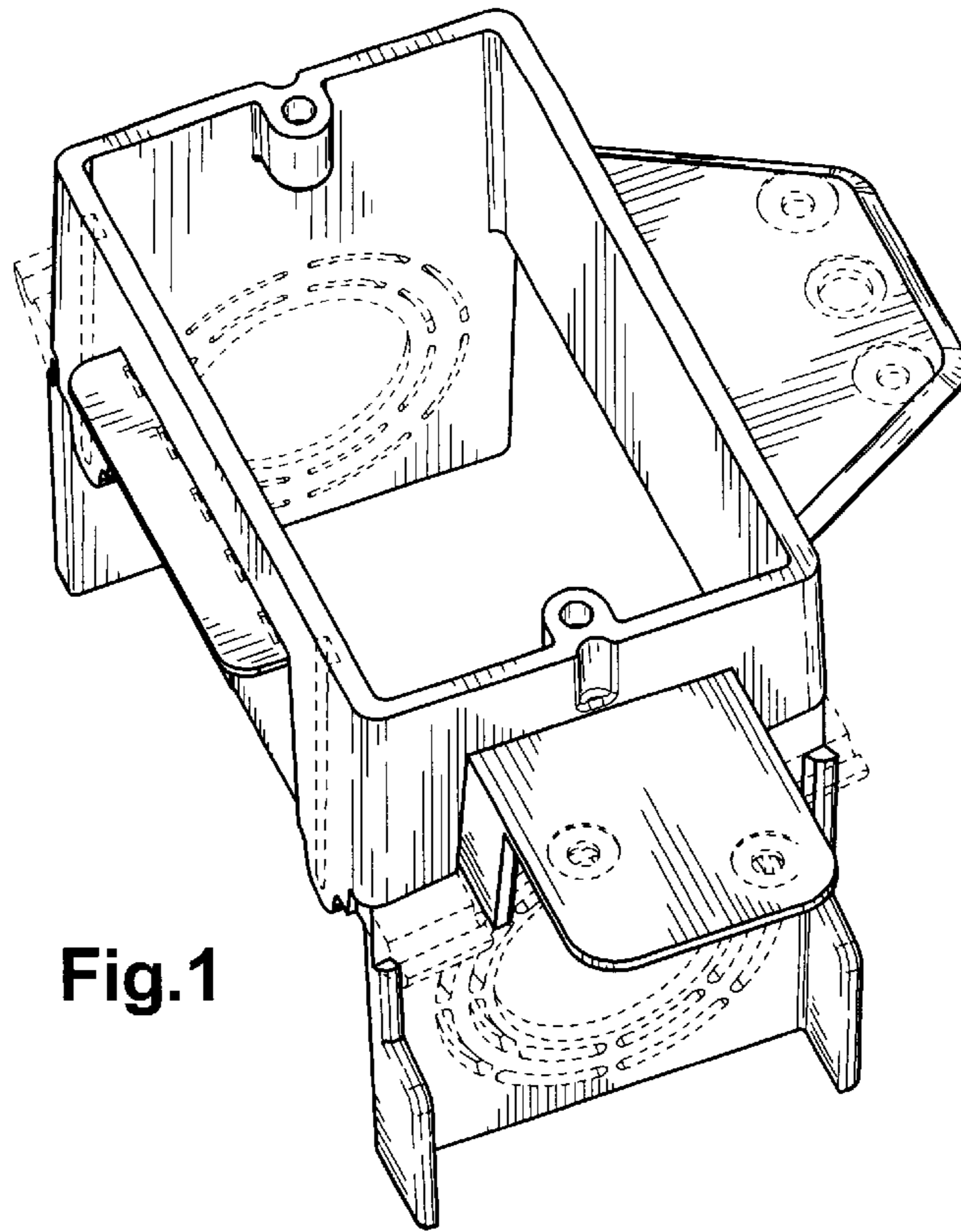


Fig.1

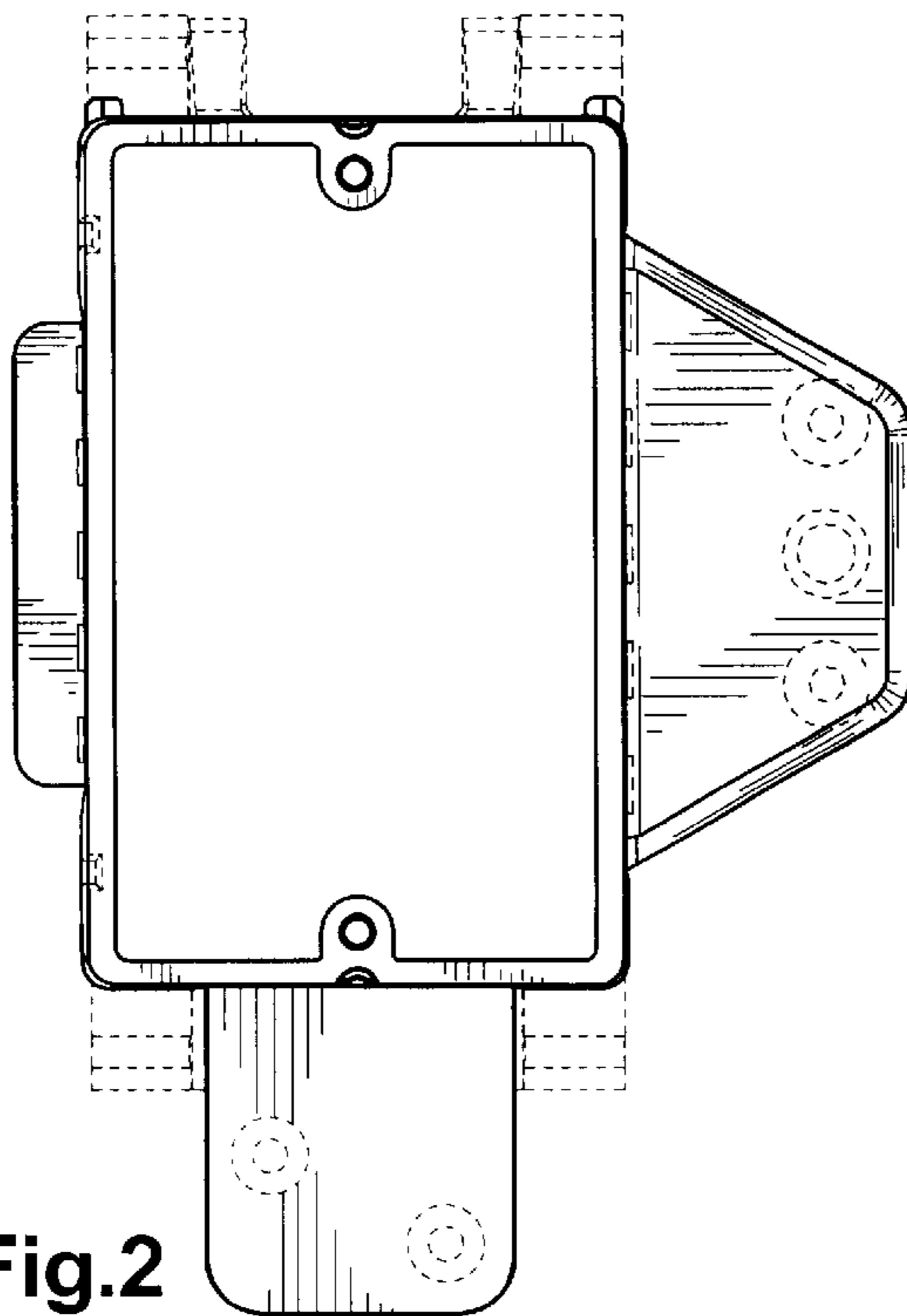


Fig.2

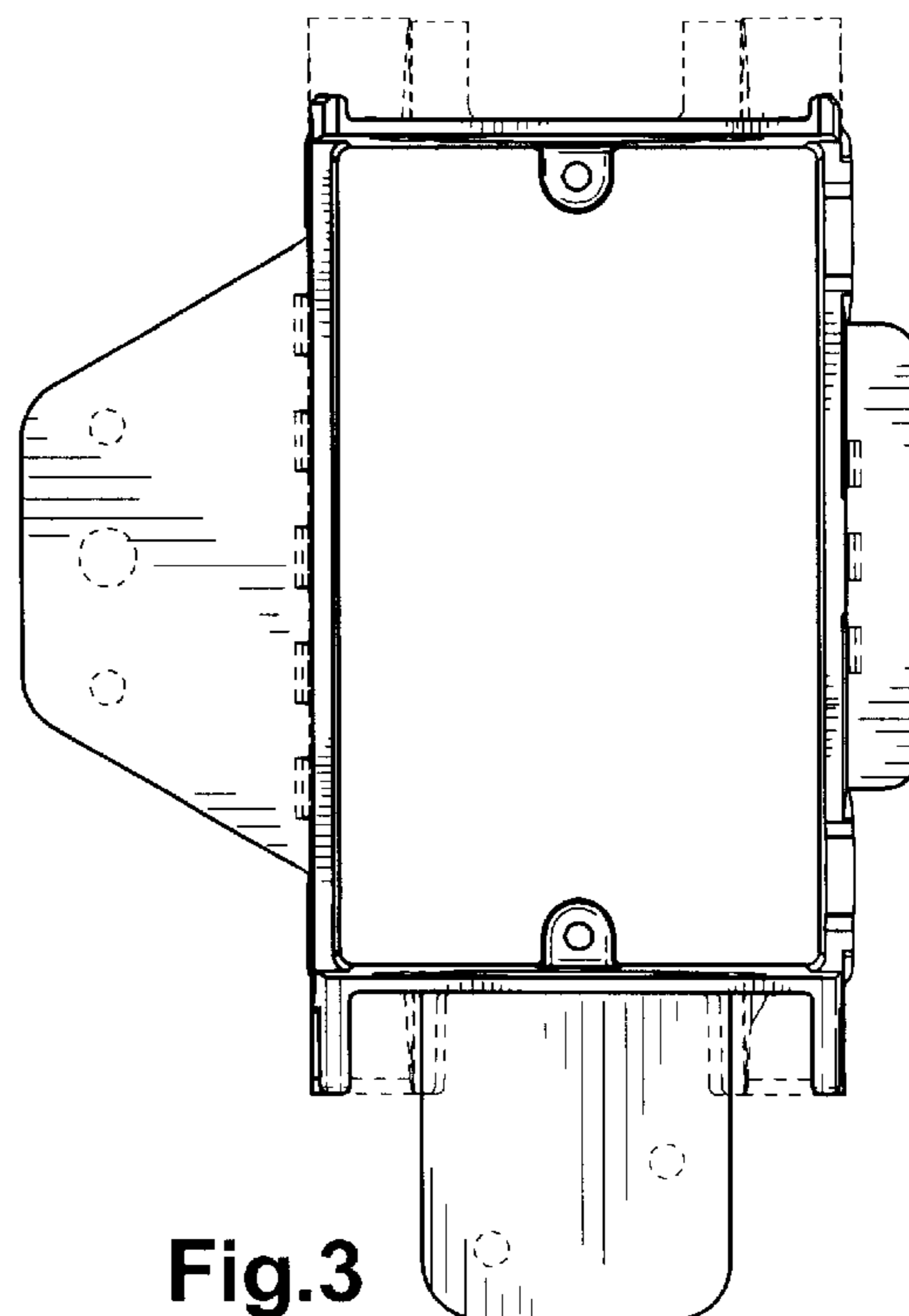


Fig.3

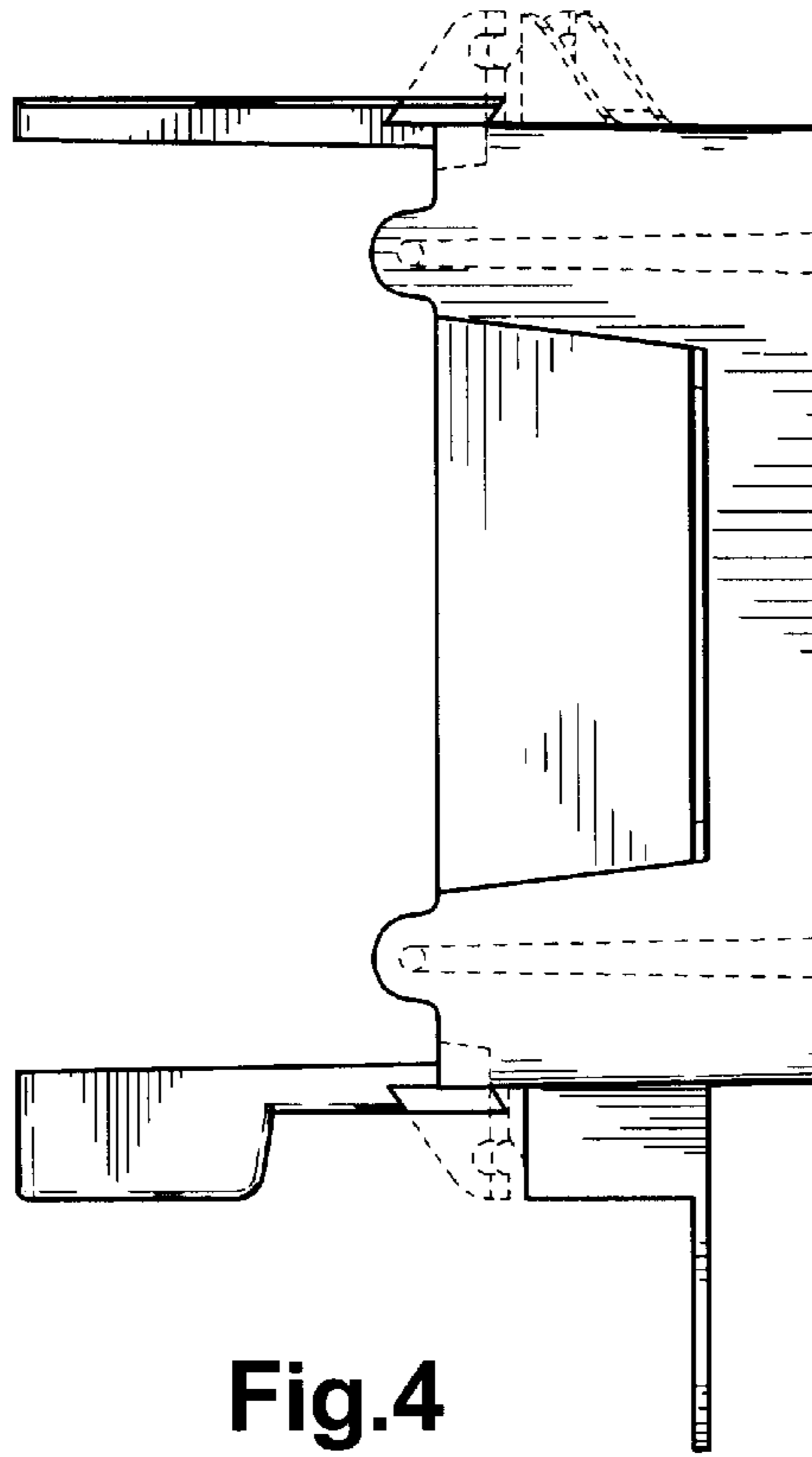


Fig.4

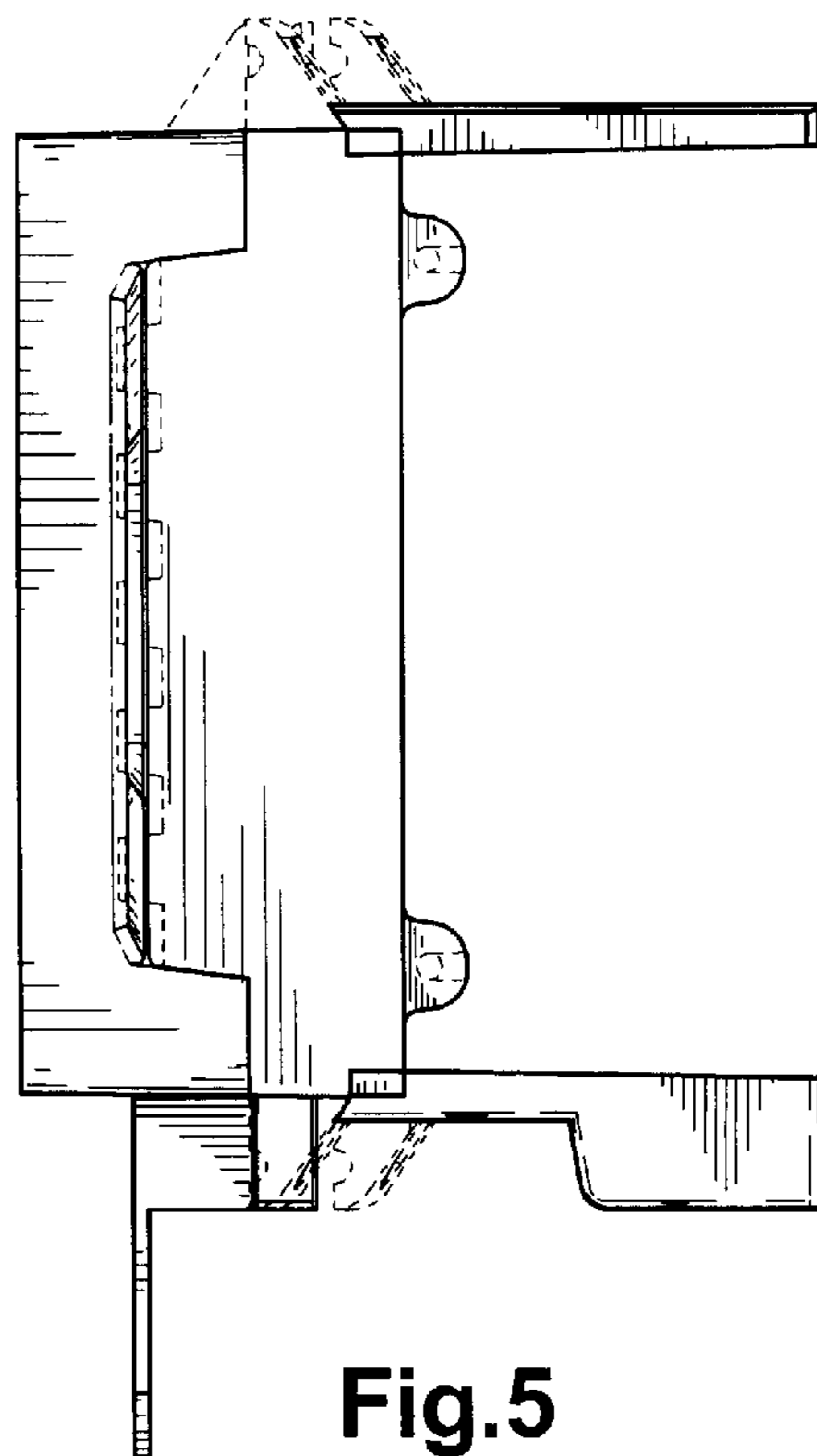


Fig.5

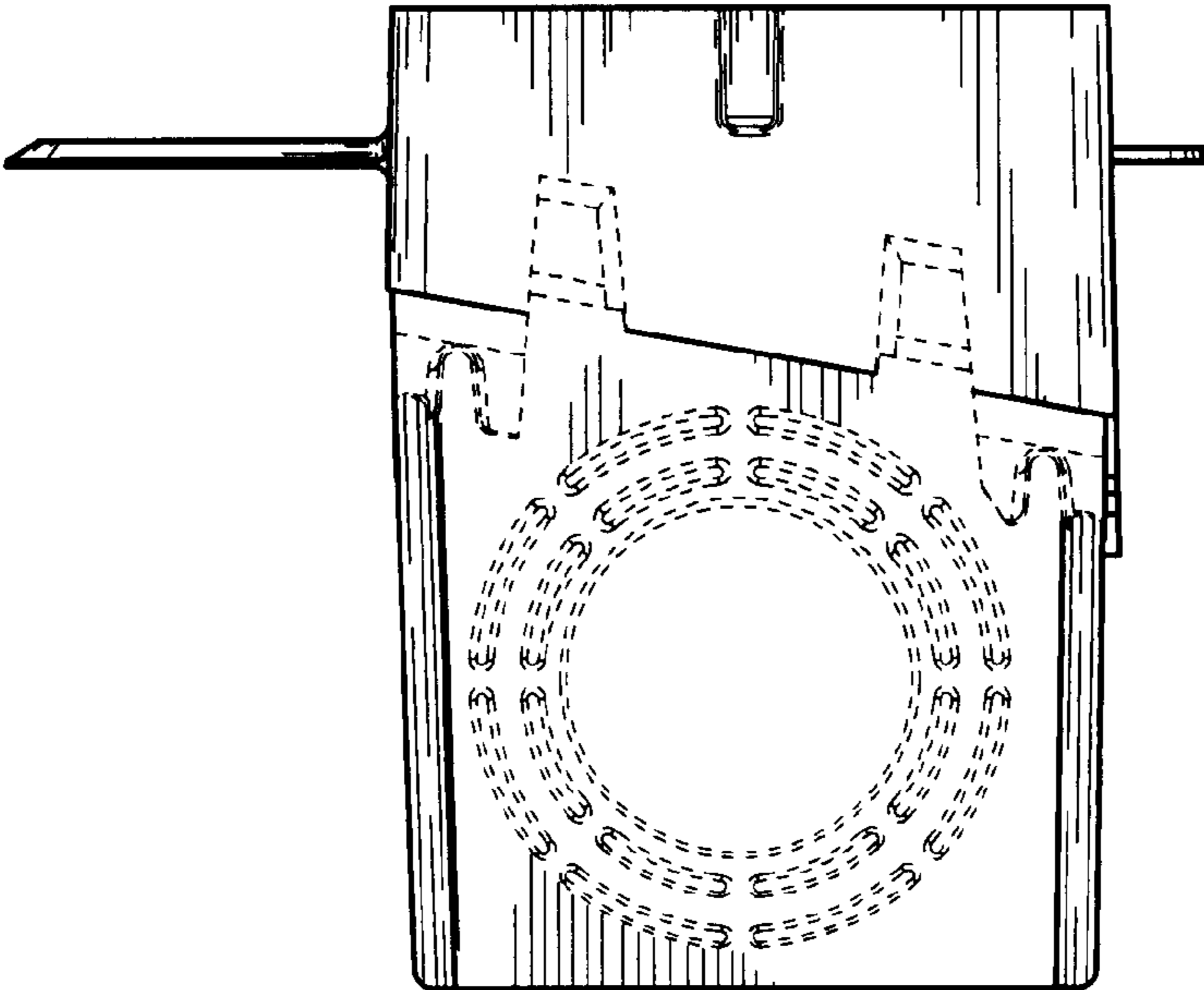


Fig.6

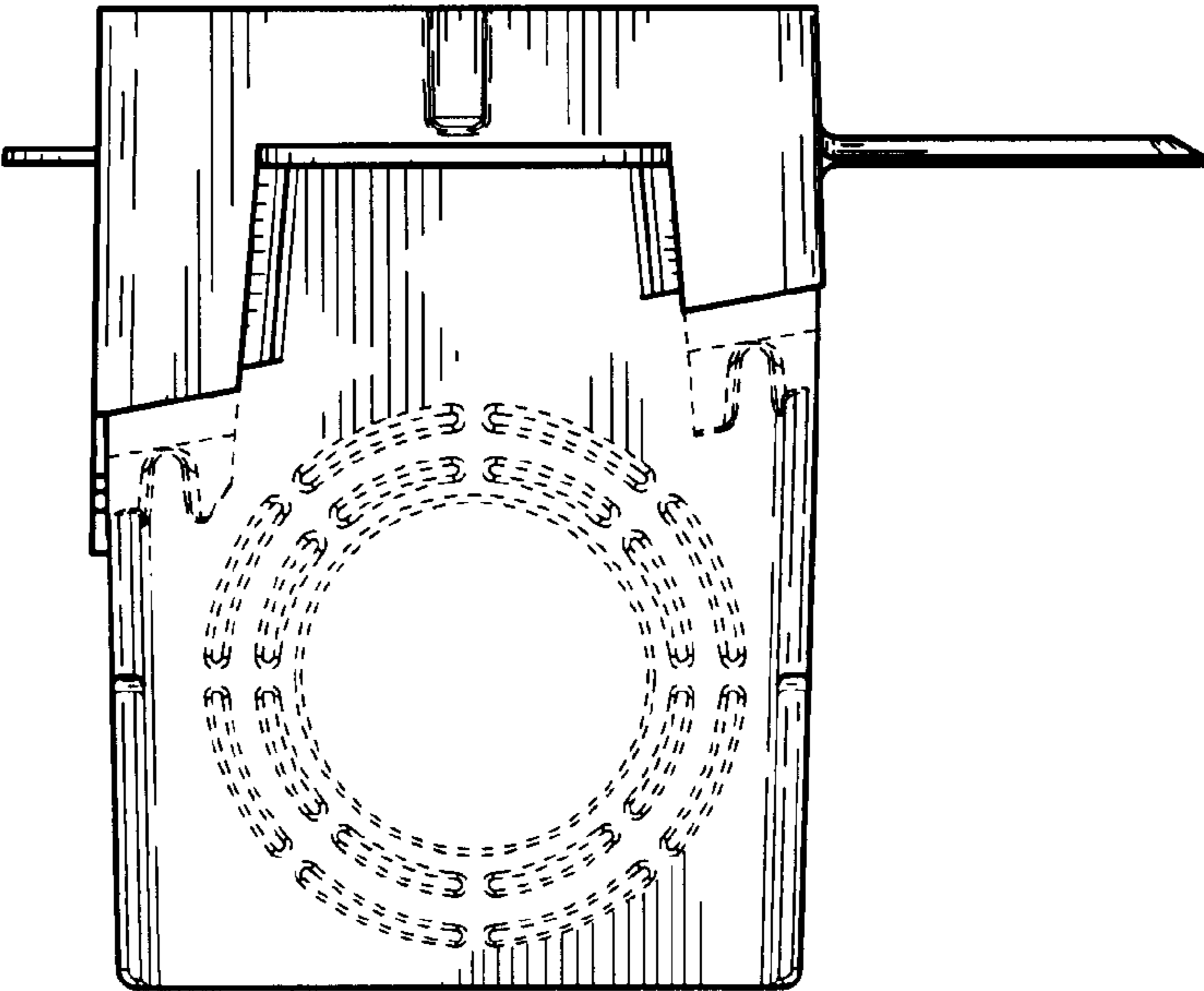


Fig.7