

US00D533138S

(12) **United States Design Patent**
Yoshikai

(10) **Patent No.:** **US D533,138 S**
(45) **Date of Patent:** **** Dec. 5, 2006**

(54) **ELECTRICAL CONNECTOR**
(75) Inventor: **Yasuyoshi Yoshikai**, Kawasaki (JP)
(73) Assignee: **Iriso Electronics Co. Ltd.**, Kawasaki (JP)
(**) Term: **14 Years**
(21) Appl. No.: **29/235,985**
(22) Filed: **Aug. 10, 2005**
(30) **Foreign Application Priority Data**
Mar. 1, 2005 (JP) 2005-005927
(51) **LOC (8) Cl.** **13-03**
(52) **U.S. Cl.** **D13/147**
(58) **Field of Classification Search** D13/133,
D13/146-147, 149, 154, 184; D14/432-436,
D14/438; 439/64, 79, 159-160, 260, 325,
439/329, 395, 422, 492, 495, 607-610, 630,
439/862
See application file for complete search history.

(56) **References Cited**
U.S. PATENT DOCUMENTS
5,688,143 A * 11/1997 McHugh et al. 439/495
5,800,204 A * 9/1998 Niitsu 439/495
D444,130 S * 6/2001 Hayashi et al. D13/147

D453,319 S * 2/2002 Yokoyama D13/147
D470,109 S * 2/2003 Yokoyama et al. D13/147
D471,522 S * 3/2003 Azuma D13/147
6,561,843 B1 * 5/2003 Ma et al. 439/495
D482,001 S * 11/2003 Hisamatsu et al. D13/147
D497,596 S * 10/2004 Hisamatsu et al. D13/147
D502,143 S * 2/2005 Chiu et al. D13/147
D502,686 S * 3/2005 Chiu et al. D13/147
2003/0104721 A1 * 6/2003 Yu 439/495
2006/0089036 A1 * 4/2006 Takai et al. 439/260

* cited by examiner
Primary Examiner—Stella Reid
Assistant Examiner—Daniel Bui
(74) *Attorney, Agent, or Firm*—Lowe, Hauptman & Berner

(57) **CLAIM**
The ornamental design for an electrical connector, as shown.

DESCRIPTION
FIG. 1 is a front view of an electrical connector showing my design;
FIG. 2 is a rear view thereof;
FIG. 3 is a left side view thereof;
FIG. 4 is a top plan view thereof;
FIG. 5 is a bottom plan view thereof;
FIG. 6 is a perspective view from the front side thereof; and,
FIG. 7 is a perspective view from the rear side thereof.

1 Claim, 4 Drawing Sheets

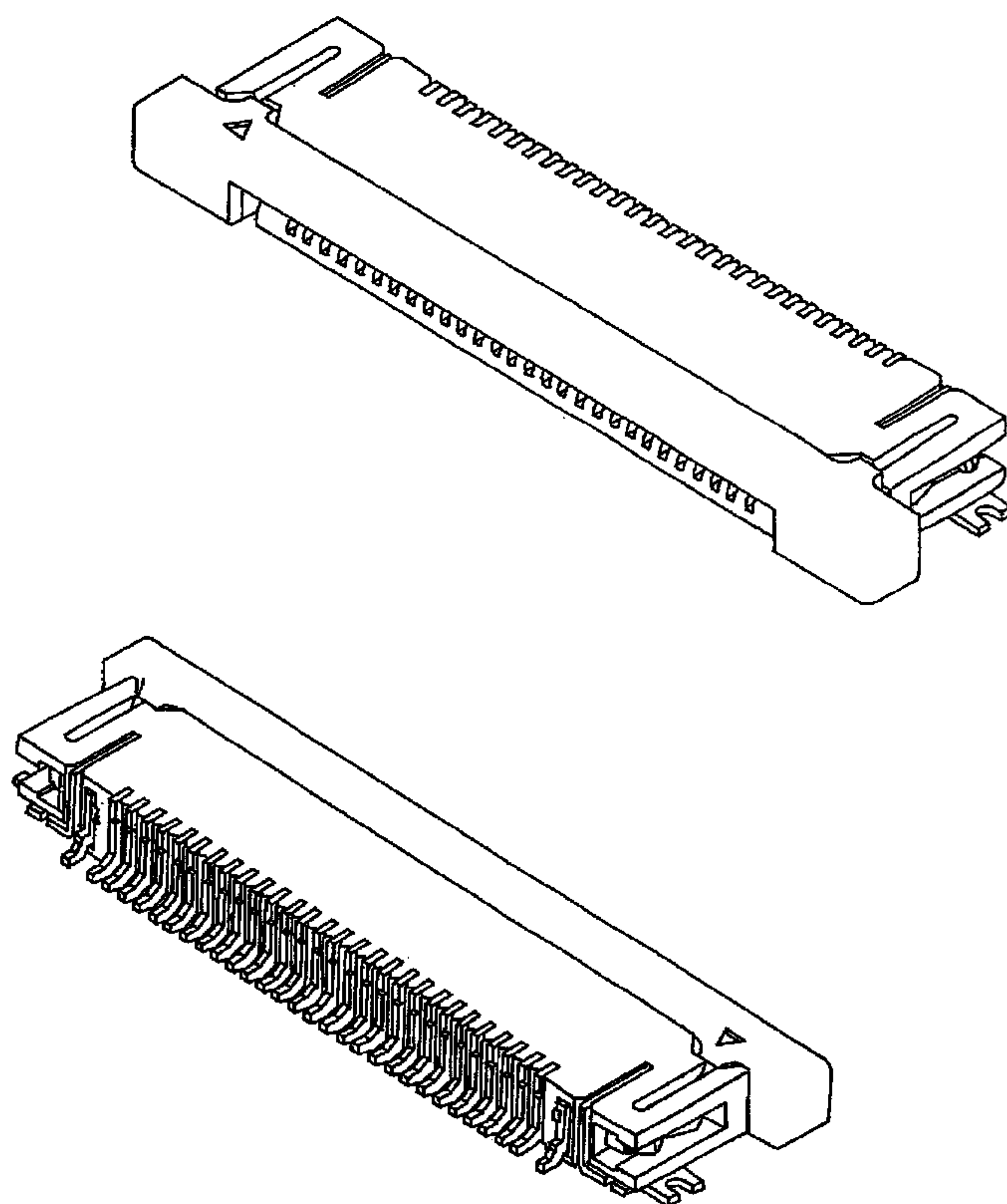


Fig. 1



Fig. 2



Fig. 3

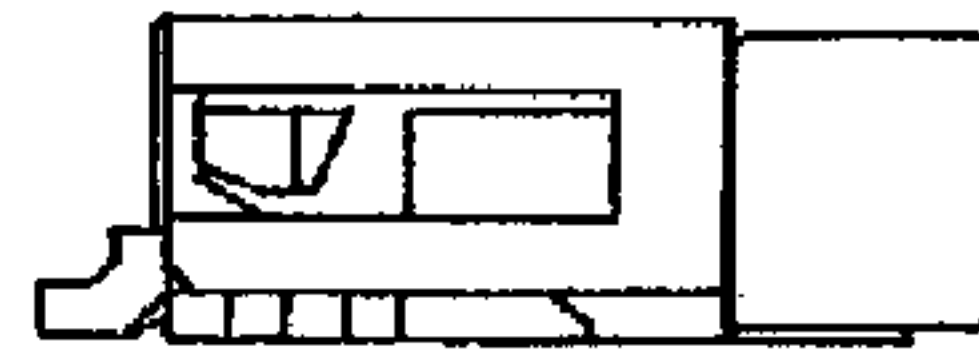


Fig. 4

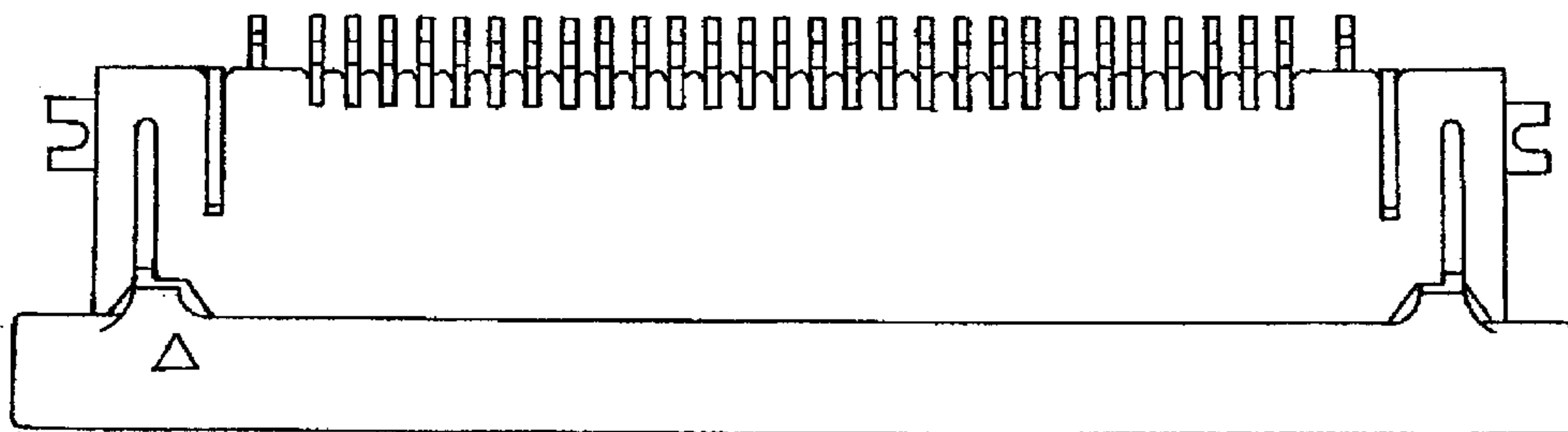


Fig. 5

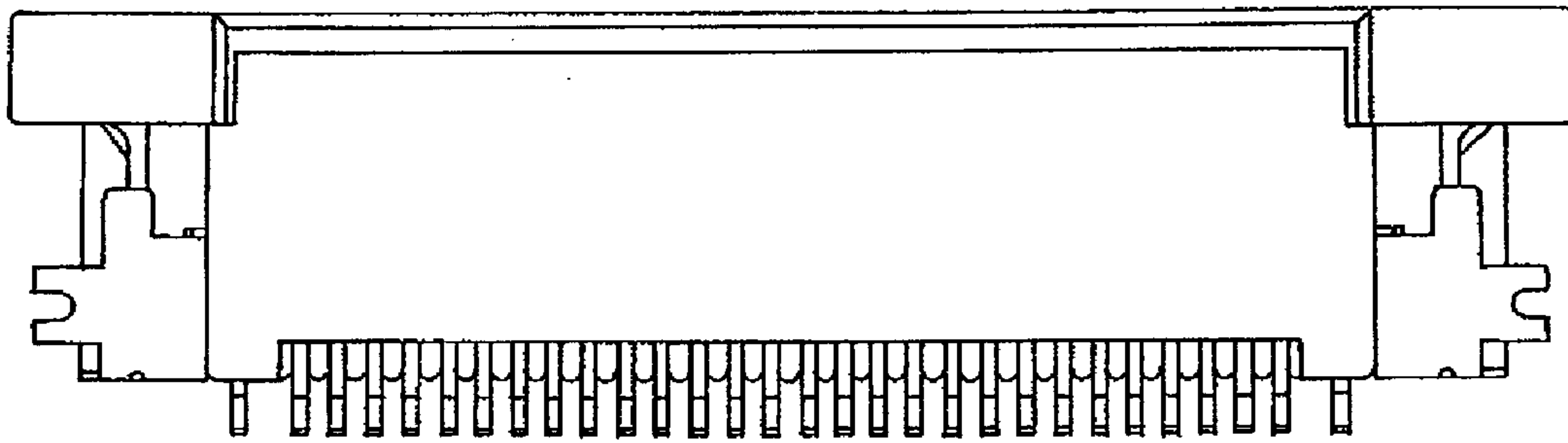


Fig. 6

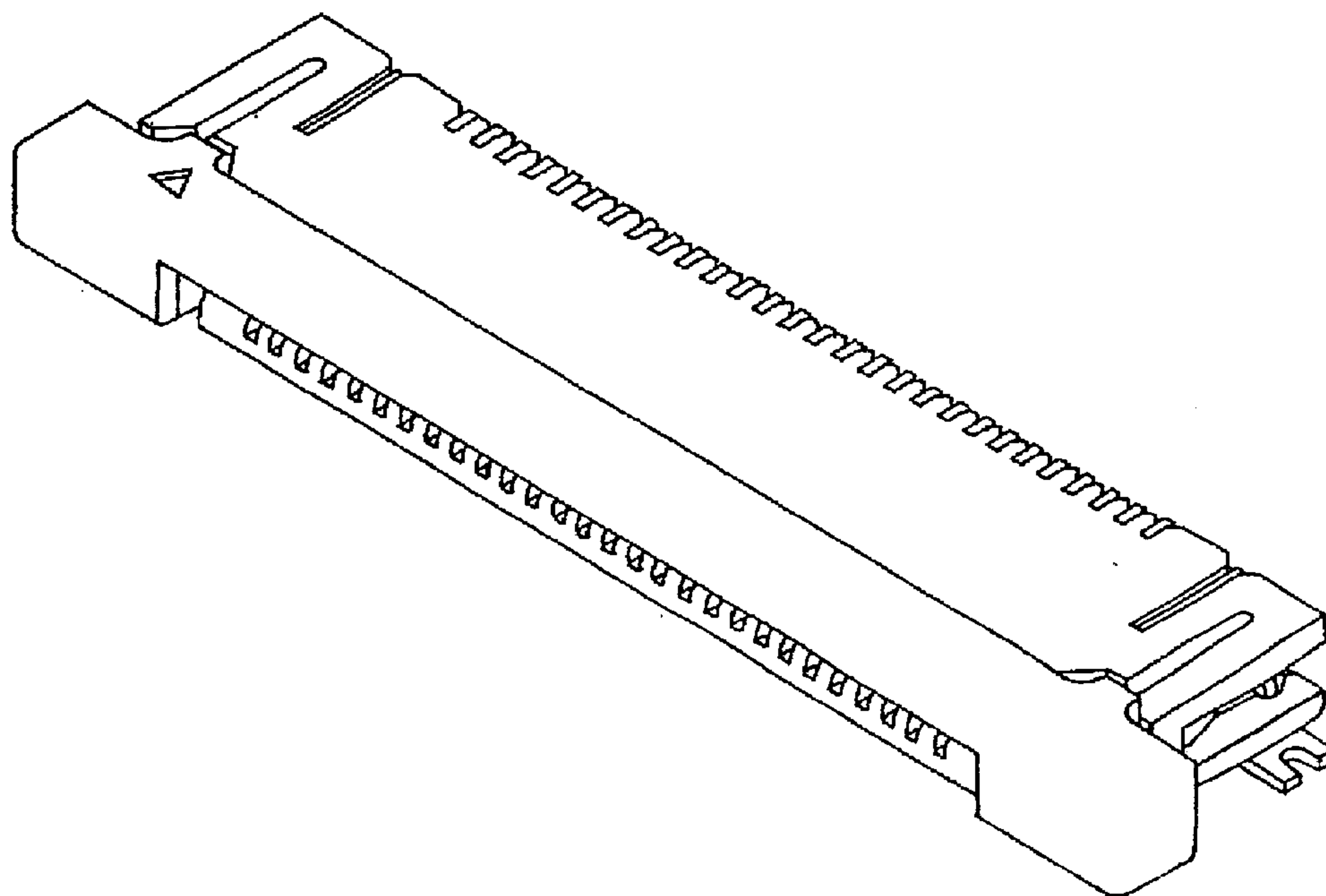


Fig. 7

