



US00D533137S

(12) **United States Design Patent**  
**Henriksson et al.**

(10) **Patent No.:** **US D533,137 S**  
(45) **Date of Patent:** **\*\* Dec. 5, 2006**

(54) **ACTUATOR**

(75) Inventors: **Göran Henriksson, Eksjö (SE);**  
**Jan-Erik Steen, Vallentuna (SE)**

(73) Assignee: **Olsbergs Hydraulics AB (SE)**

(\*\*) Term: **14 Years**

(21) Appl. No.: **29/225,641**

(22) Filed: **Mar. 18, 2005**

(30) **Foreign Application Priority Data**

Sep. 21, 2004 (EM) ..... 000230222-0001

(51) **LOC (8) Cl.** ..... **13-03**

(52) **U.S. Cl.** ..... **D13/147; D13/149**

(58) **Field of Classification Search** ..... D13/133,  
D13/148-149, 154, 184; D8/330, 382-383,  
D8/394-396; 439/266, 476.1, 754-755, 757,  
439/759, 769, 773

See application file for complete search history.

(56) **References Cited**

**U.S. PATENT DOCUMENTS**

3,838,213 A \* 9/1974 Georgopoulos et al. .... 178/46  
5,100,332 A \* 3/1992 Egawa ..... 439/72

5,126,711 A \* 6/1992 Sasakawa et al. .... 335/216  
D343,383 S \* 1/1994 Hall et al. .... D13/133  
D488,435 S \* 4/2004 Hirano ..... D13/103  
D500,989 S \* 1/2005 Stadler ..... D13/149  
D507,530 S \* 7/2005 Watanabe et al. .... D13/133

\* cited by examiner

*Primary Examiner*—Stella Reid

*Assistant Examiner*—Daniel Bui

(74) *Attorney, Agent, or Firm*—Ostrolenk, Faber, Gerb &  
Soffen, LLP

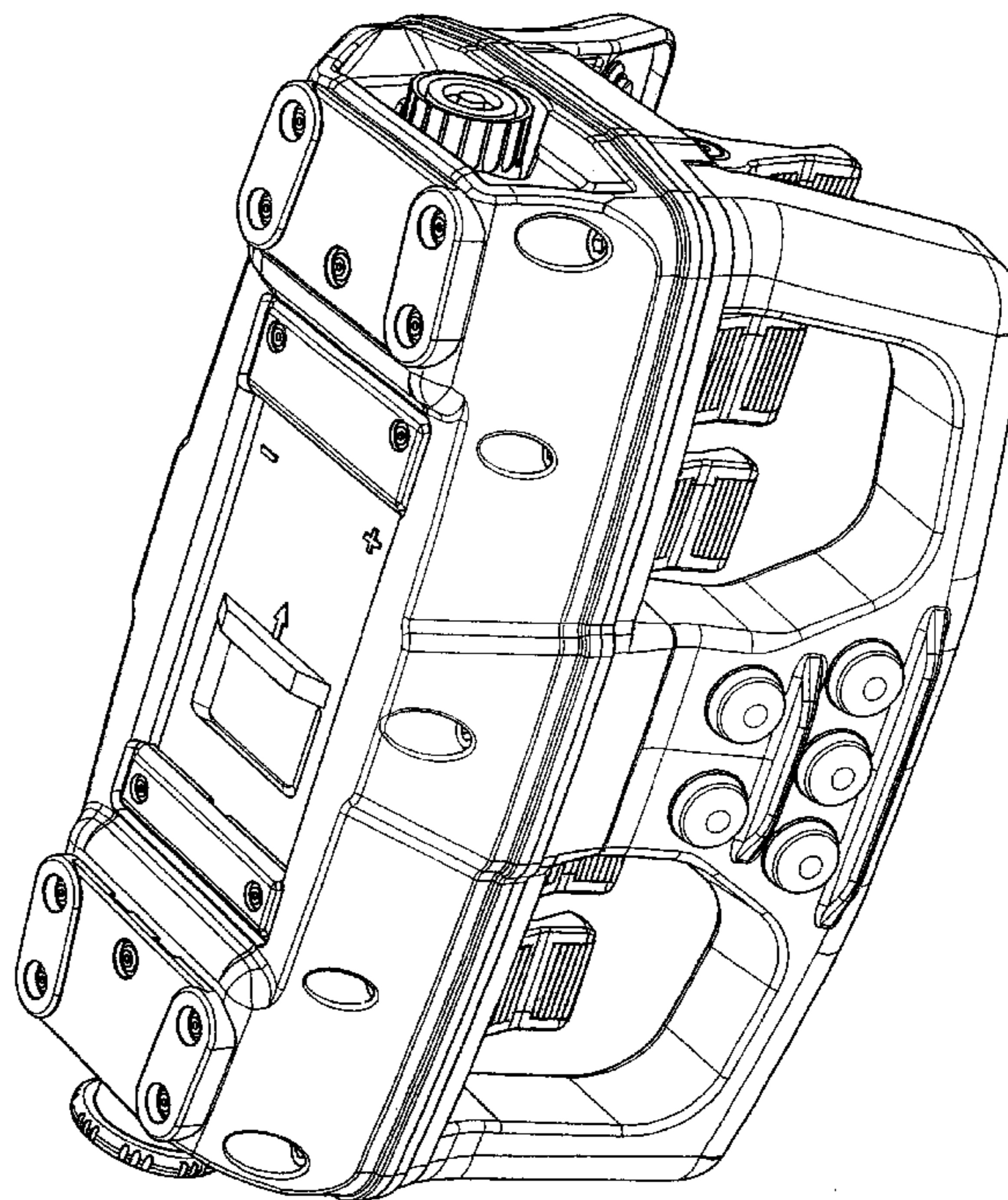
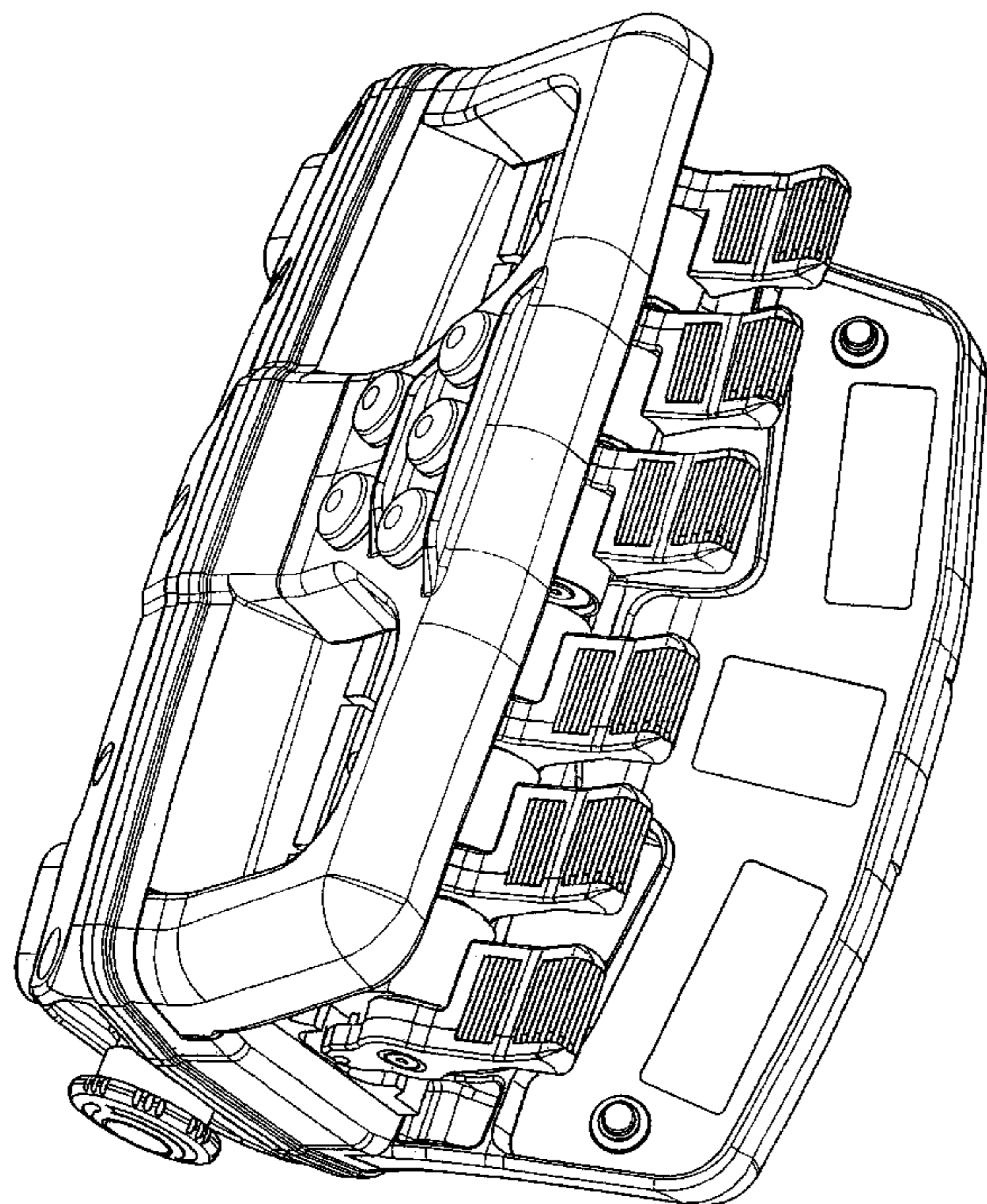
(57) **CLAIM**

The ornamental design for an actuator, as shown and described.

**DESCRIPTION**

FIG. 1 is a front, top, right side perspective view of an actuator showing our new design;  
FIG. 2 is a rear, top, left side view thereof;  
FIG. 3 is right side view thereof;  
FIG. 4 is left side view thereof;  
FIG. 5 is a top view thereof;  
FIG. 6 is a bottom view thereof; and,  
FIG. 7 is a front, bottom, left side perspective view thereof.

**1 Claim, 7 Drawing Sheets**



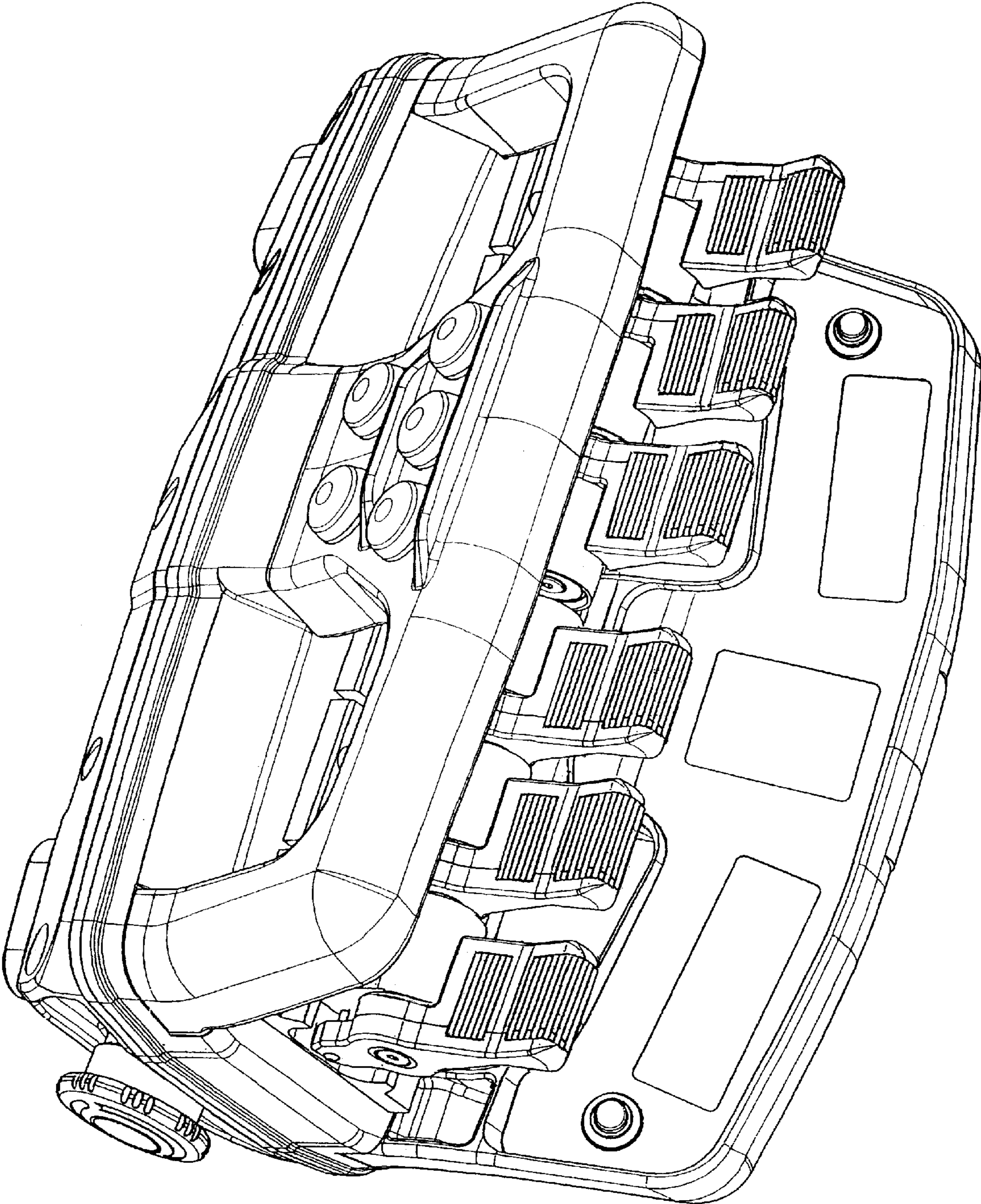


FIG. 1

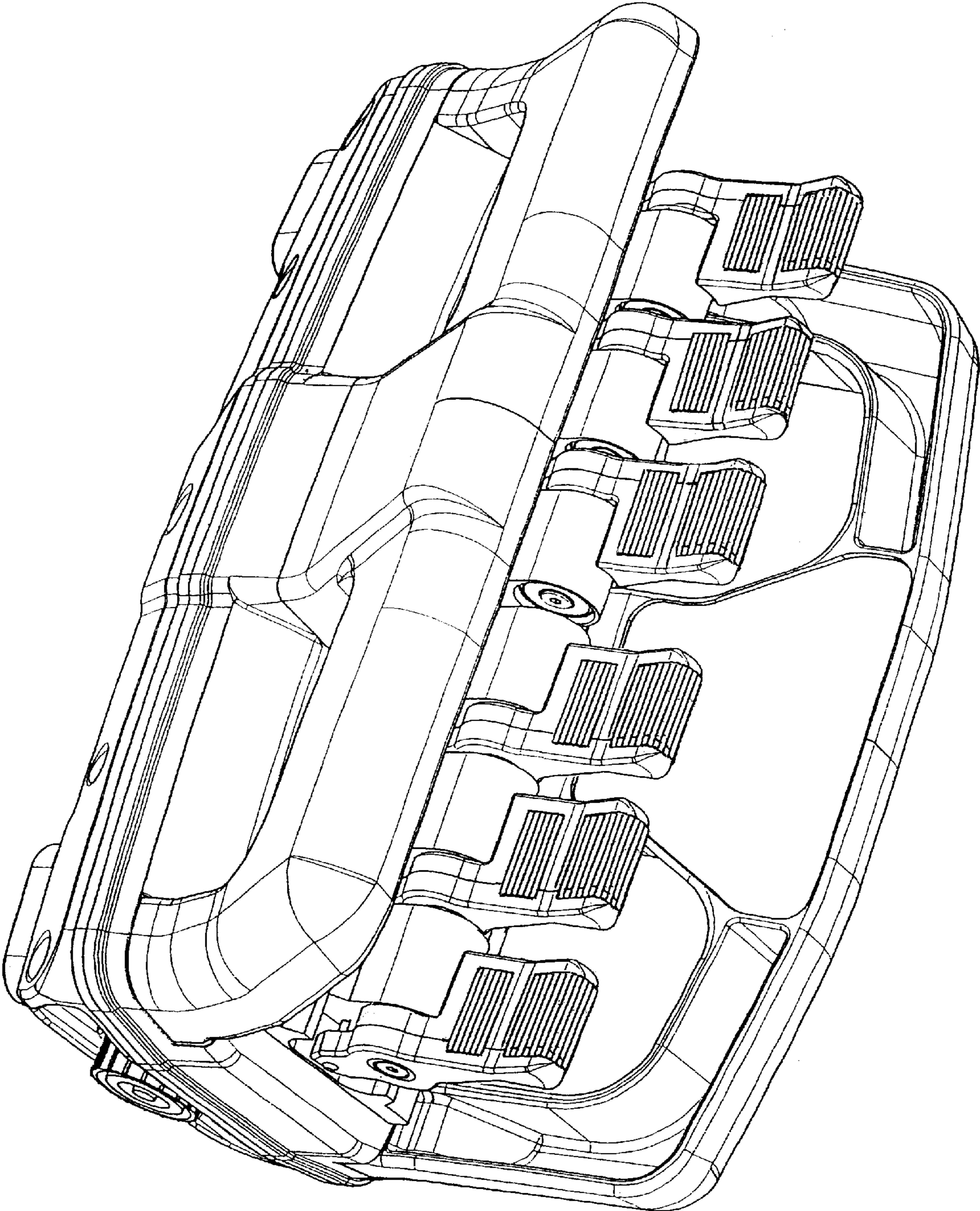


FIG. 2

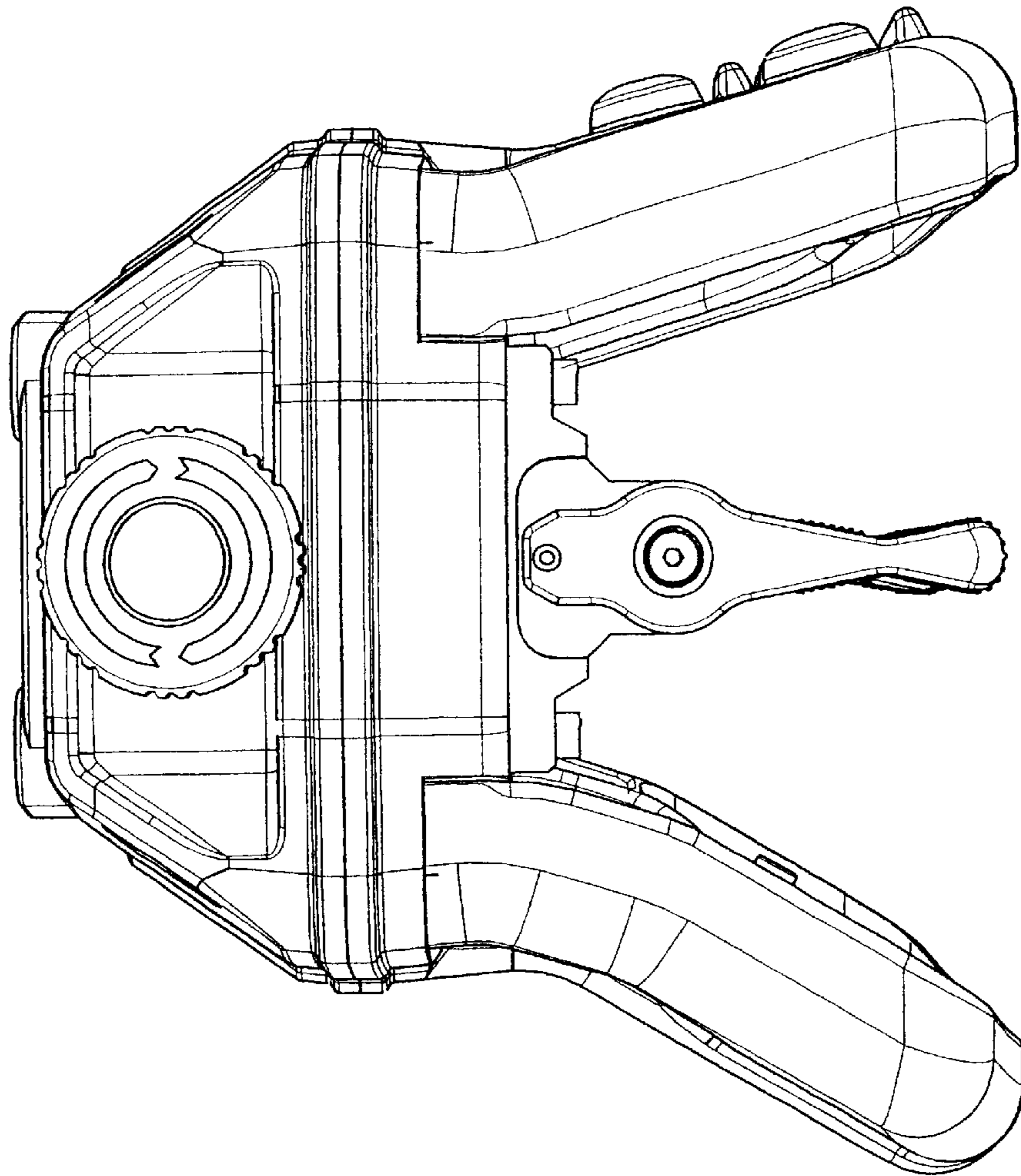


FIG. 3

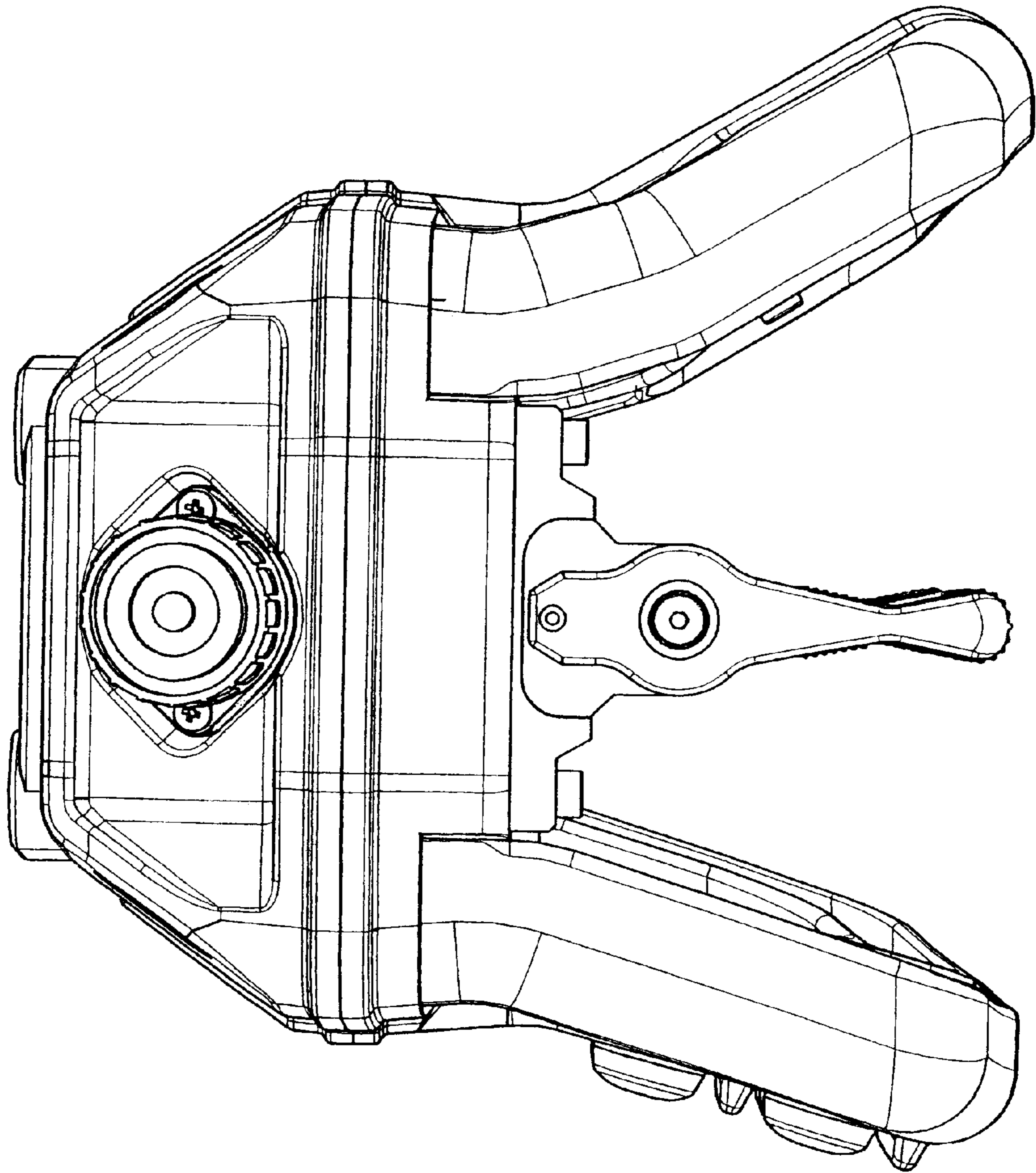


FIG. 4

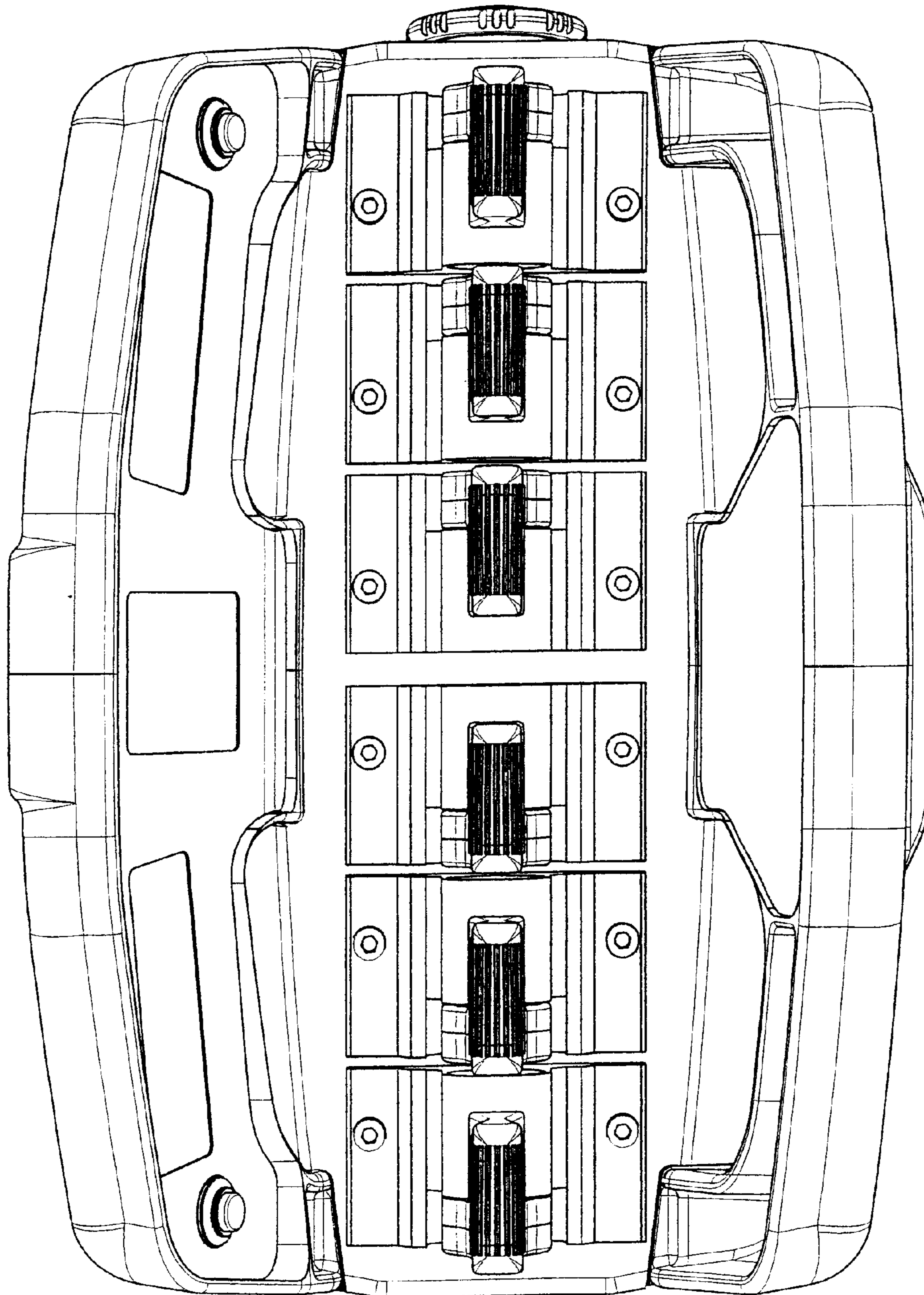


FIG. 5

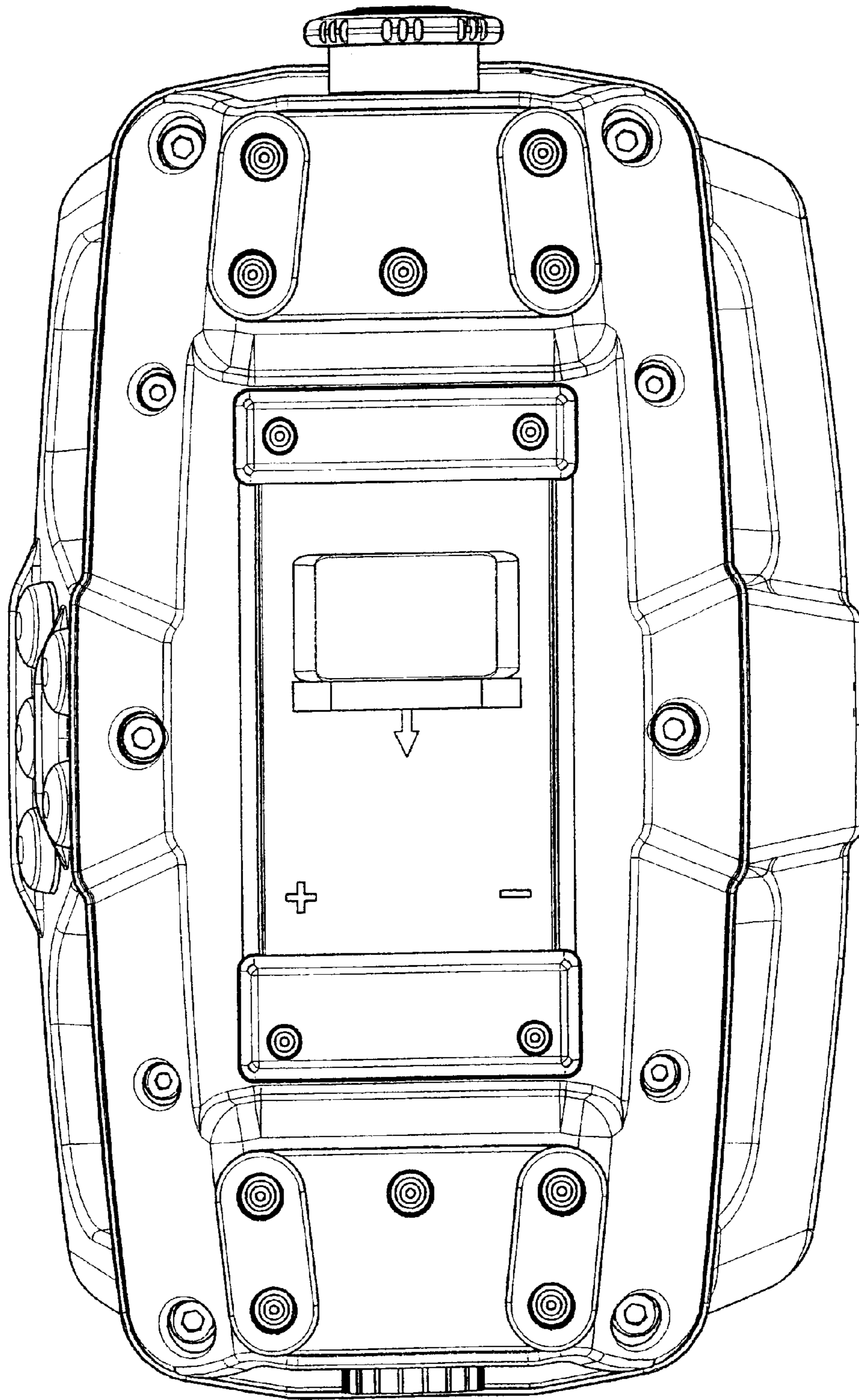


FIG. 6

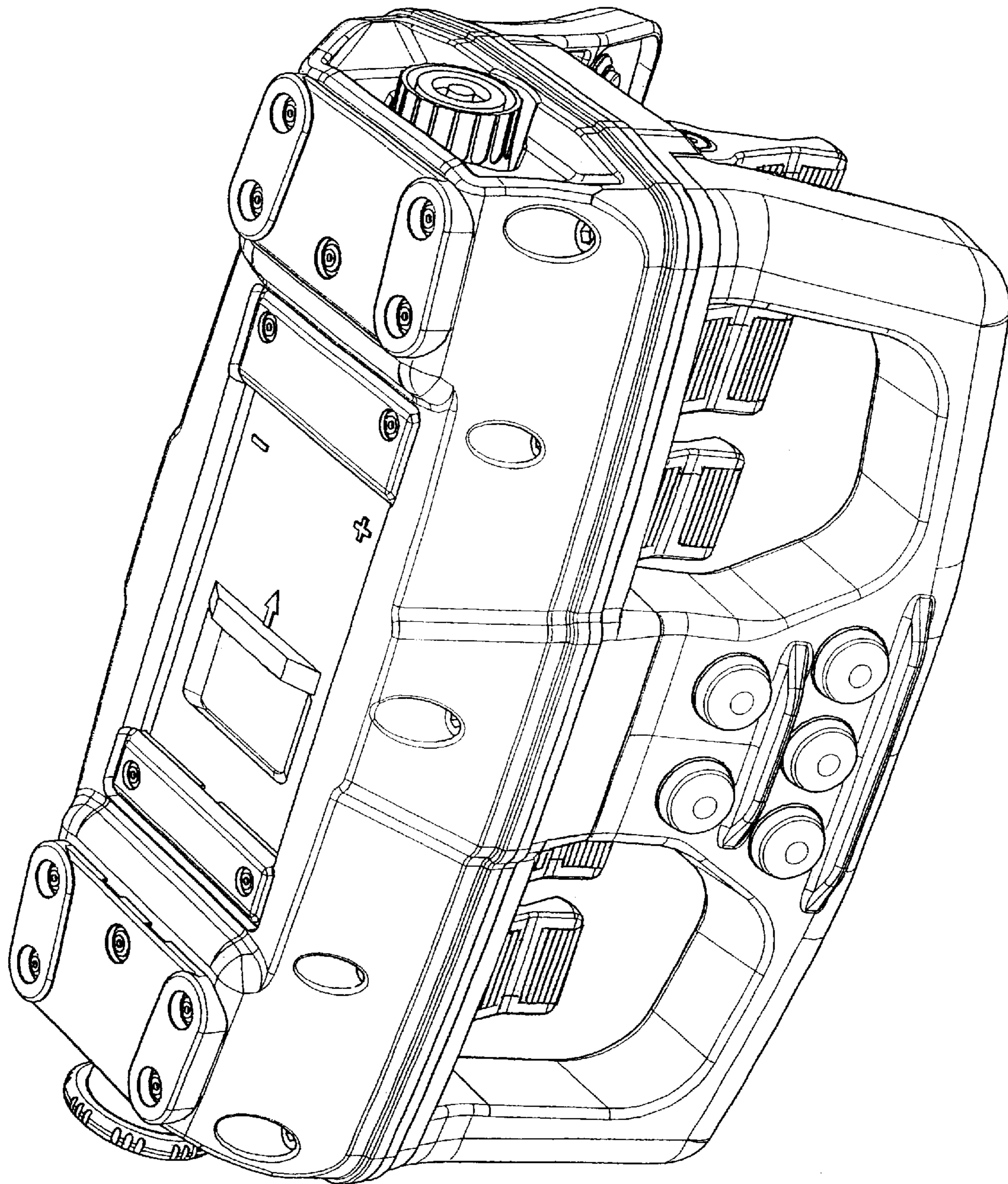


FIG. 7