



US00D533136S

(12) **United States Design Patent**
Yamada

(10) **Patent No.:** **US D533,136 S**

(45) **Date of Patent:** **** Dec. 5, 2006**

(54) **MOTOR FOR SLIDE DOOR**

(75) Inventor: **Naohiro Yamada**, Yokohama (JP)

(73) Assignee: **Jidosha Denki Kogyo Co., Ltd.**,
Yokohama (JP)

(**) Term: **14 Years**

(21) Appl. No.: **29/202,110**

(22) Filed: **Mar. 26, 2004**

(30) **Foreign Application Priority Data**

Oct. 22, 2003 (JP) 2003-031181

(51) **LOC (8) Cl.** **13-01**

(52) **U.S. Cl.** **D13/112**

(58) **Field of Classification Search** D13/112,
D13/114, 122, 199; 310/68, 75 R, 79, 80,
310/83, 239

See application file for complete search history.

(56) **References Cited**

U.S. PATENT DOCUMENTS

5,015,897 A * 5/1991 Inagaki et al. 310/83

D380,444 S * 7/1997 Mok D13/112
6,201,326 B1 * 3/2001 Klappenbach et al. 310/75 R
2002/0079758 A1 * 6/2002 Matsuyama et al. 310/68 R

* cited by examiner

Primary Examiner—Stella Reid

Assistant Examiner—Derrick Holland

(74) *Attorney, Agent, or Firm*—Sughrue Mion, PLLC

(57) **CLAIM**

The ornamental design for a motor for slide door, as shown.

DESCRIPTION

FIG. 1 is a perspective view of the top, front and right side of a motor for slide door showing my new design;

FIG. 2 is a right side elevational view thereof;

FIG. 3 is a left side elevational view thereof;

FIG. 4 is a front elevational view thereof;

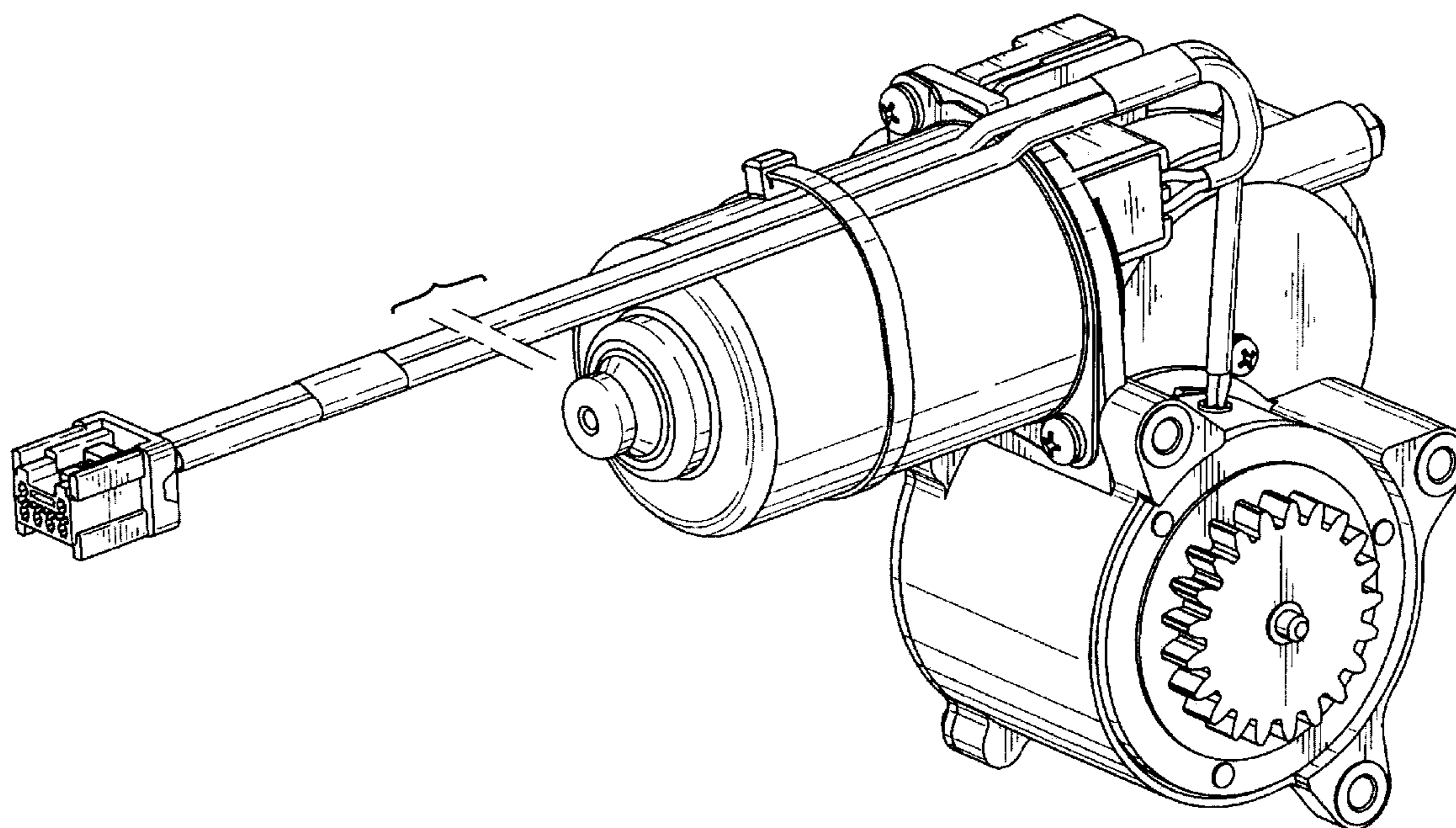
FIG. 5 is a rear elevational view thereof;

FIG. 6 is a top plan view thereof; and,

FIG. 7 is a bottom plan view thereof.

The claim has been shown broken away for ease of illustration to show indeterminate length.

1 Claim, 6 Drawing Sheets



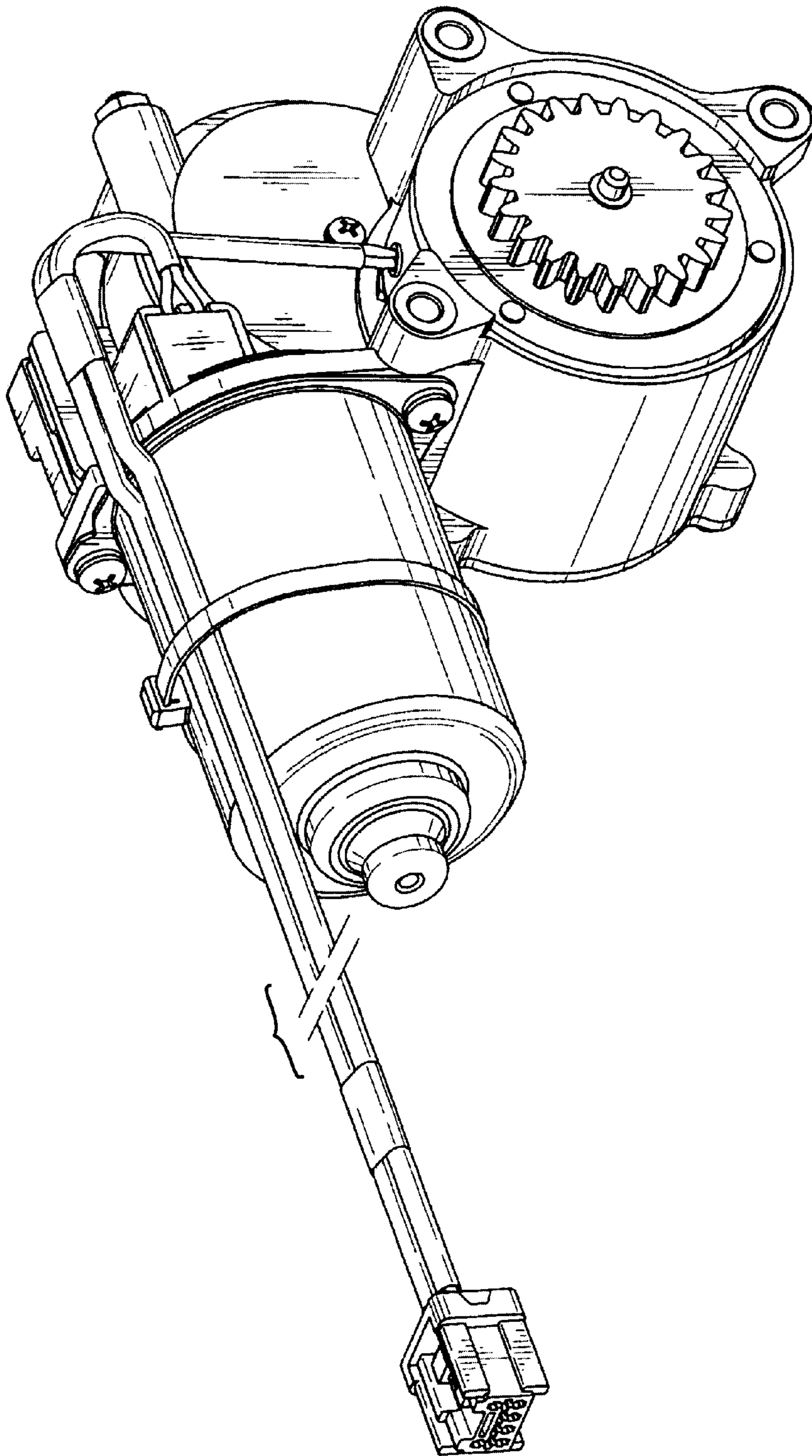


Fig. 1

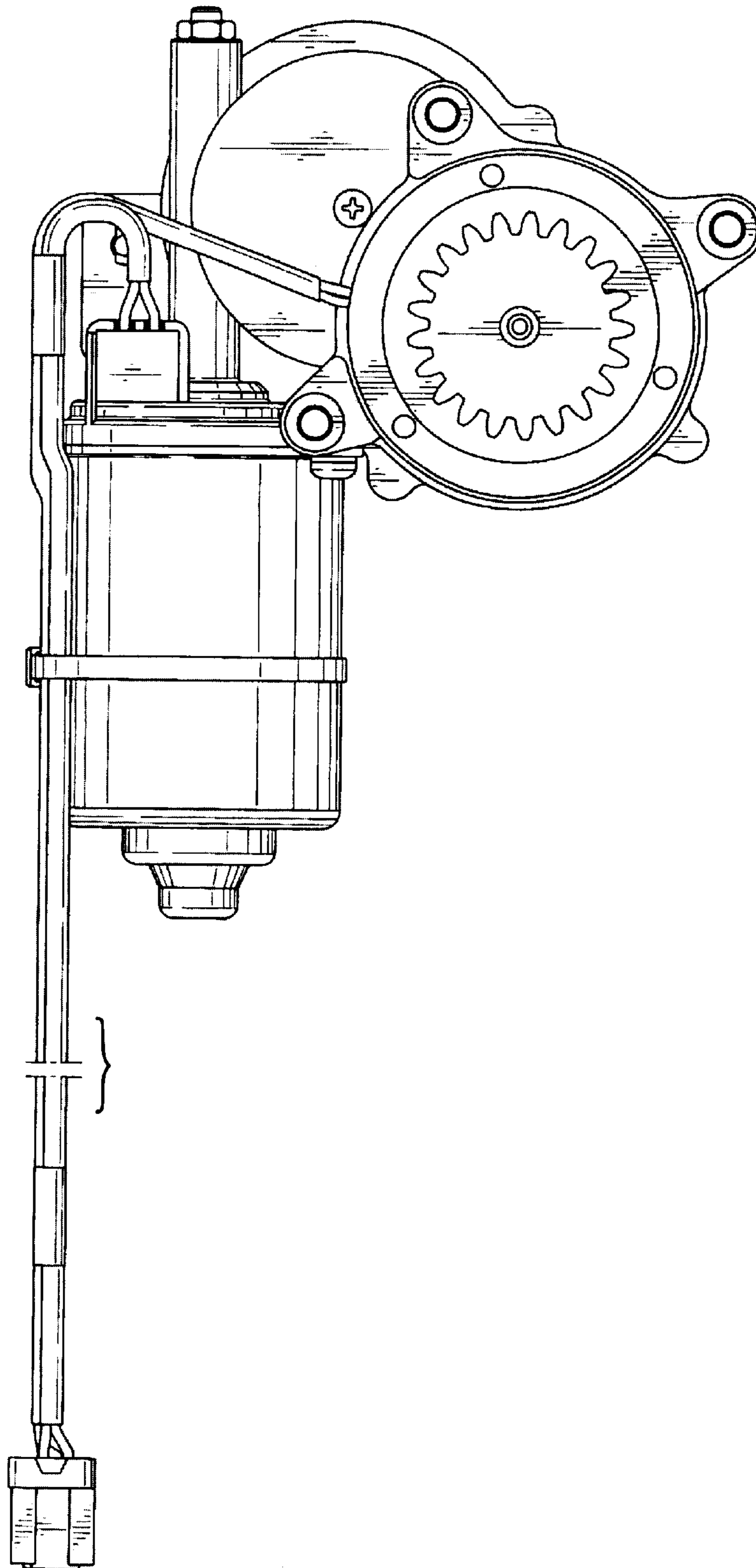


Fig. 2

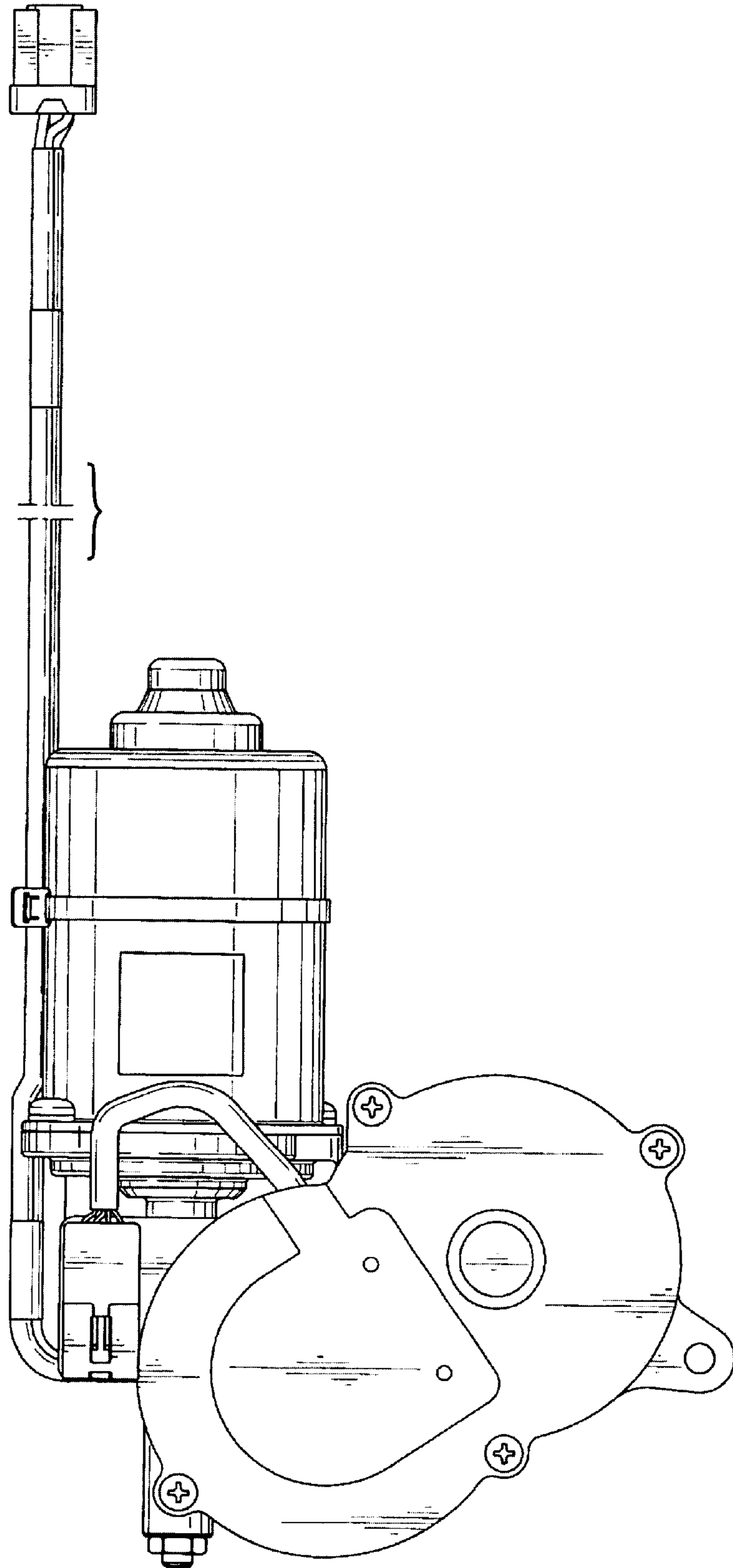


Fig. 3

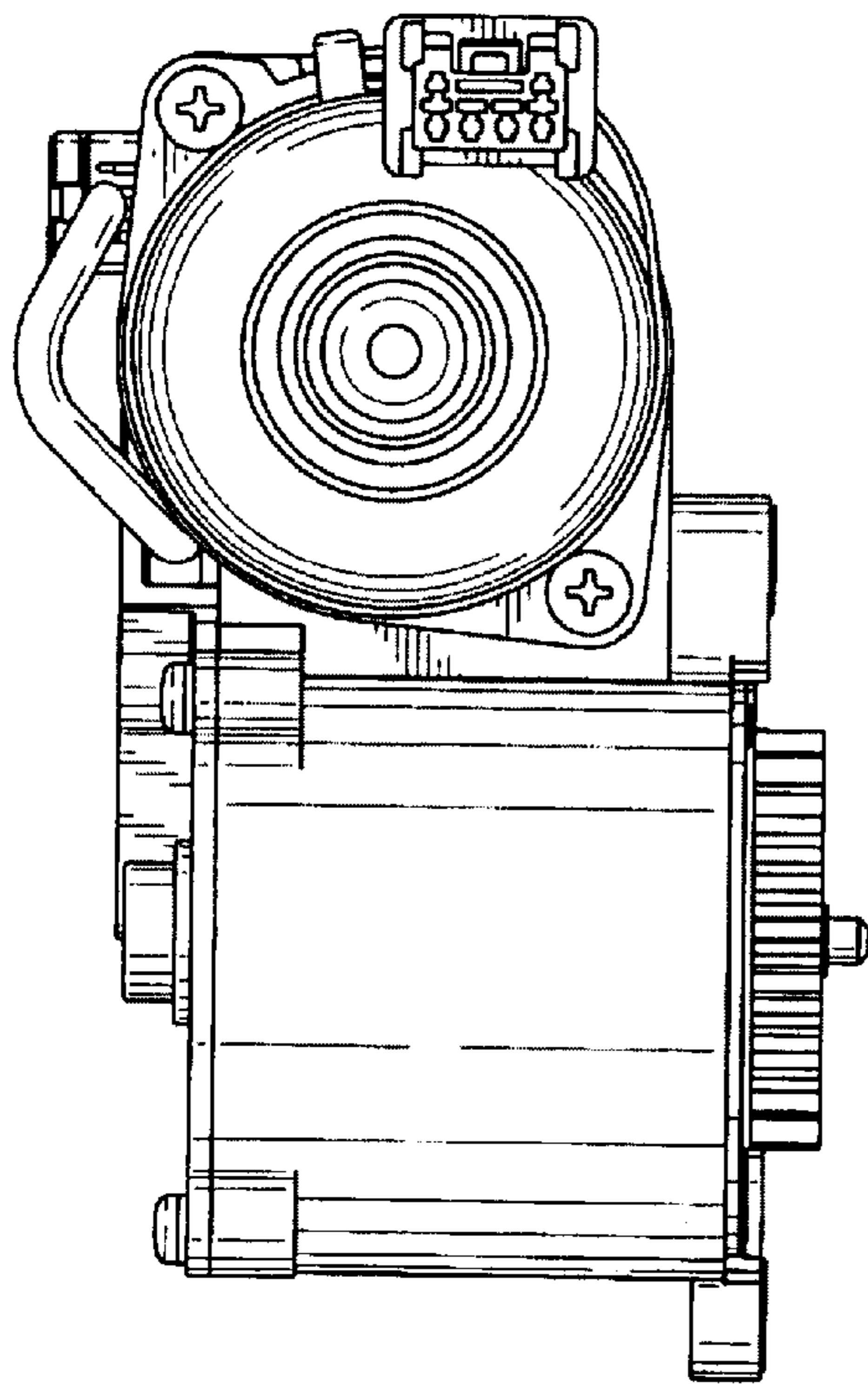


Fig. 4

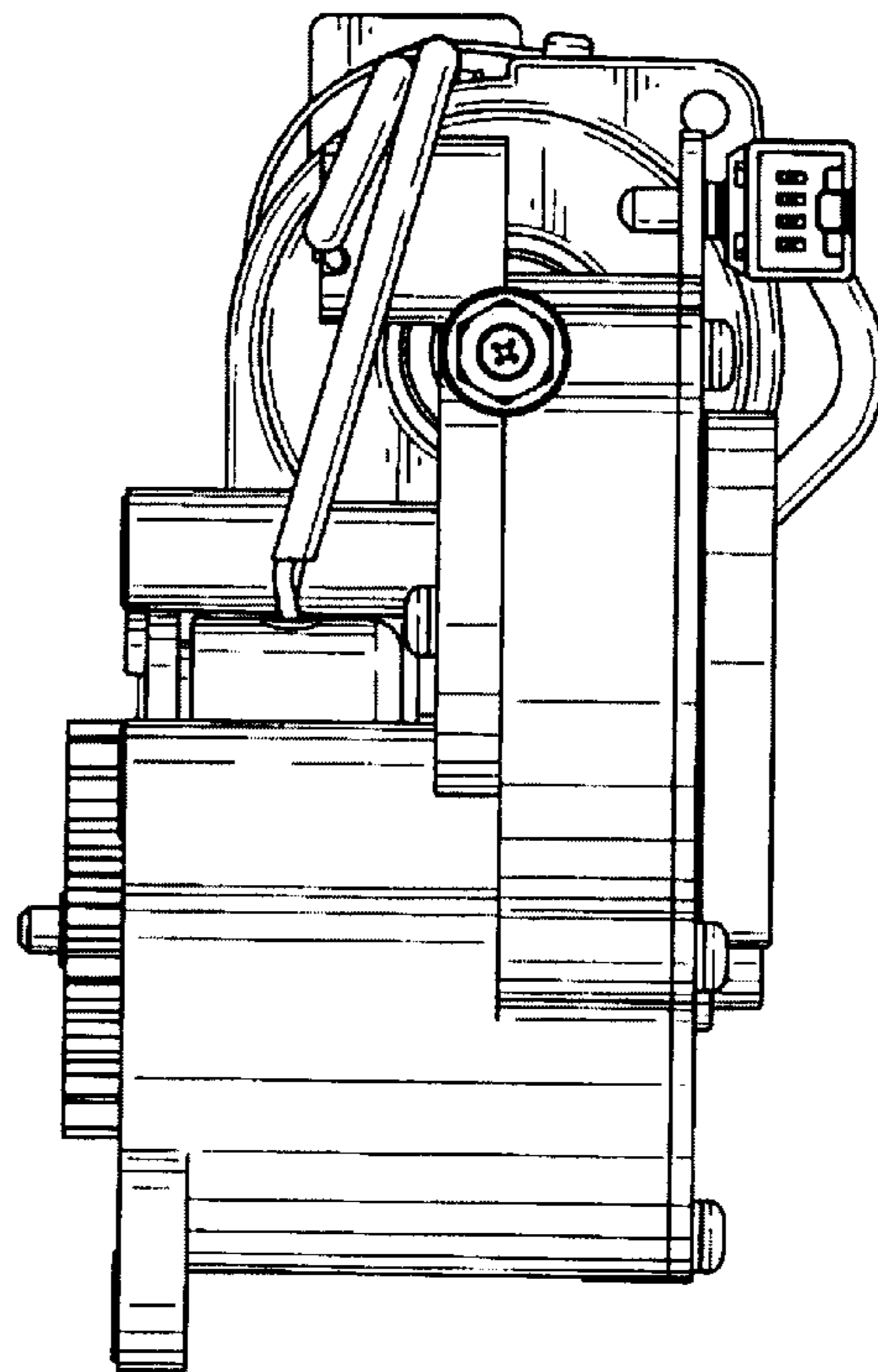


Fig. 5

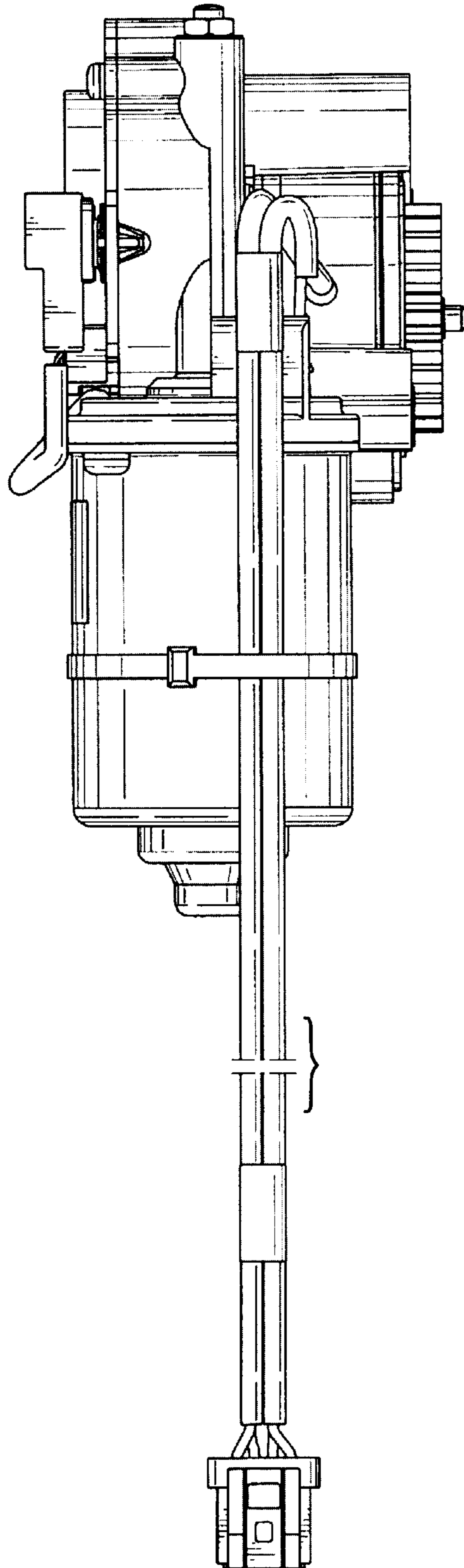


Fig. 6

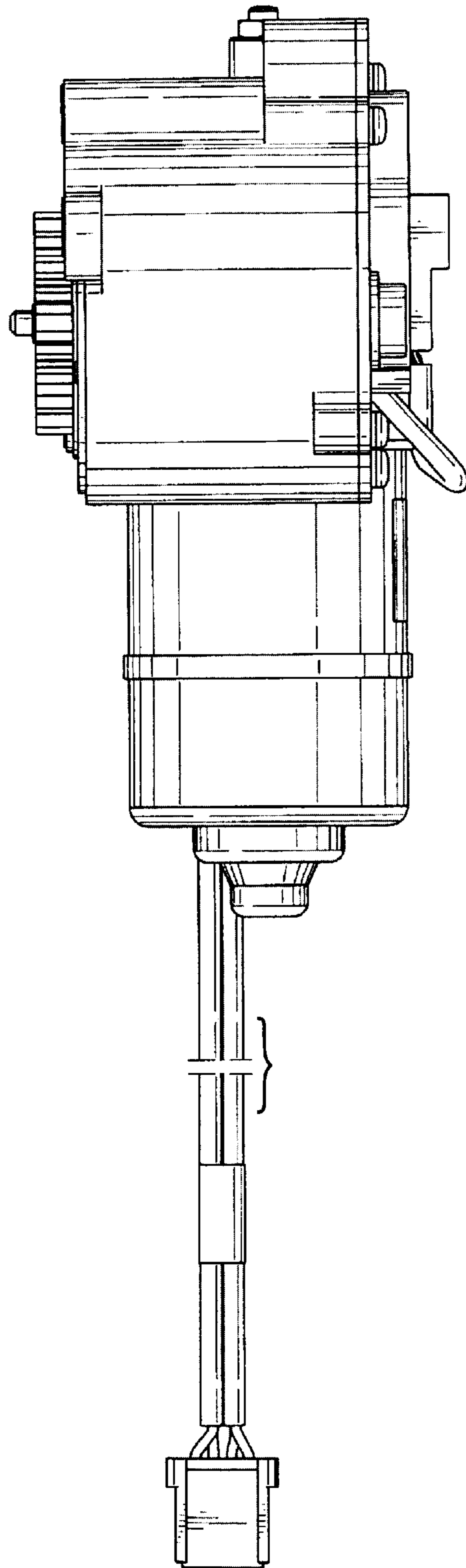


Fig. 7