



US00D533135S

(12) **United States Design Patent**
Hussaini et al.

(10) **Patent No.:** **US D533,135 S**

(45) **Date of Patent:** **** Dec. 5, 2006**

(54) **DC CHARGER FOR ELECTRONIC DEVICE**

(75) Inventors: **Saied Hussaini**, Miami, FL (US); **Marc Iacovelli**, Miami, FL (US)

(73) Assignee: **I-Tec Electronics, Inc.**, Miami, FL (US)

(**) Term: **14 Years**

(21) Appl. No.: **29/240,140**

(22) Filed: **Oct. 11, 2005**

(51) **LOC (8) Cl.** **13-02**

(52) **U.S. Cl.** **D13/110; D13/144**

(58) **Field of Classification Search** D13/110,
D13/107, 108, 144, 153, 199; D14/253, 265;
D21/333; 320/114, 115; 439/350, 503, 504,
439/638

See application file for complete search history.

(56) **References Cited**

U.S. PATENT DOCUMENTS

5,490,213	A	*	2/1996	Huang	379/442
D367,846	S	*	3/1996	Moshe	D13/144
D397,994	S	*	9/1998	Ben-Moshe	D13/144
D416,543	S	*	11/1999	Tsai	D13/153
D474,448	S	*	5/2003	Bosch	D13/144
6,733,328	B1	*	5/2004	Lin et al.	439/501

* cited by examiner

Primary Examiner—Prabhakar Deshmukh

Assistant Examiner—Derrick Holland

(74) *Attorney, Agent, or Firm*—Berenato, White & Stavish LLC

(57) **CLAIM**

The ornamental design for a DC charger for electronic device, as shown and described.

DESCRIPTION

FIG. 1 is a perspective view of the DC charger for electronic device according to the present invention.

FIG. 2 is a front view of the DC charger for electronic device of FIG. 1.

FIG. 3 is a rear view of the DC charger for electronic device of FIG. 1.

FIG. 4 is a right side view of the DC charger for electronic device of FIG. 1.

FIG. 5 is a left side view of the DC charger for electronic device of FIG. 1.

FIG. 6 is a top view of the DC charger for electronic device of FIG. 1.

FIG. 7 is a bottom view of the DC charger for electronic device of FIG. 1; and,

FIG. 8 is a top view of DC charger for electronic device of FIG. 6 in an alternate configuration.

1 Claim, 4 Drawing Sheets

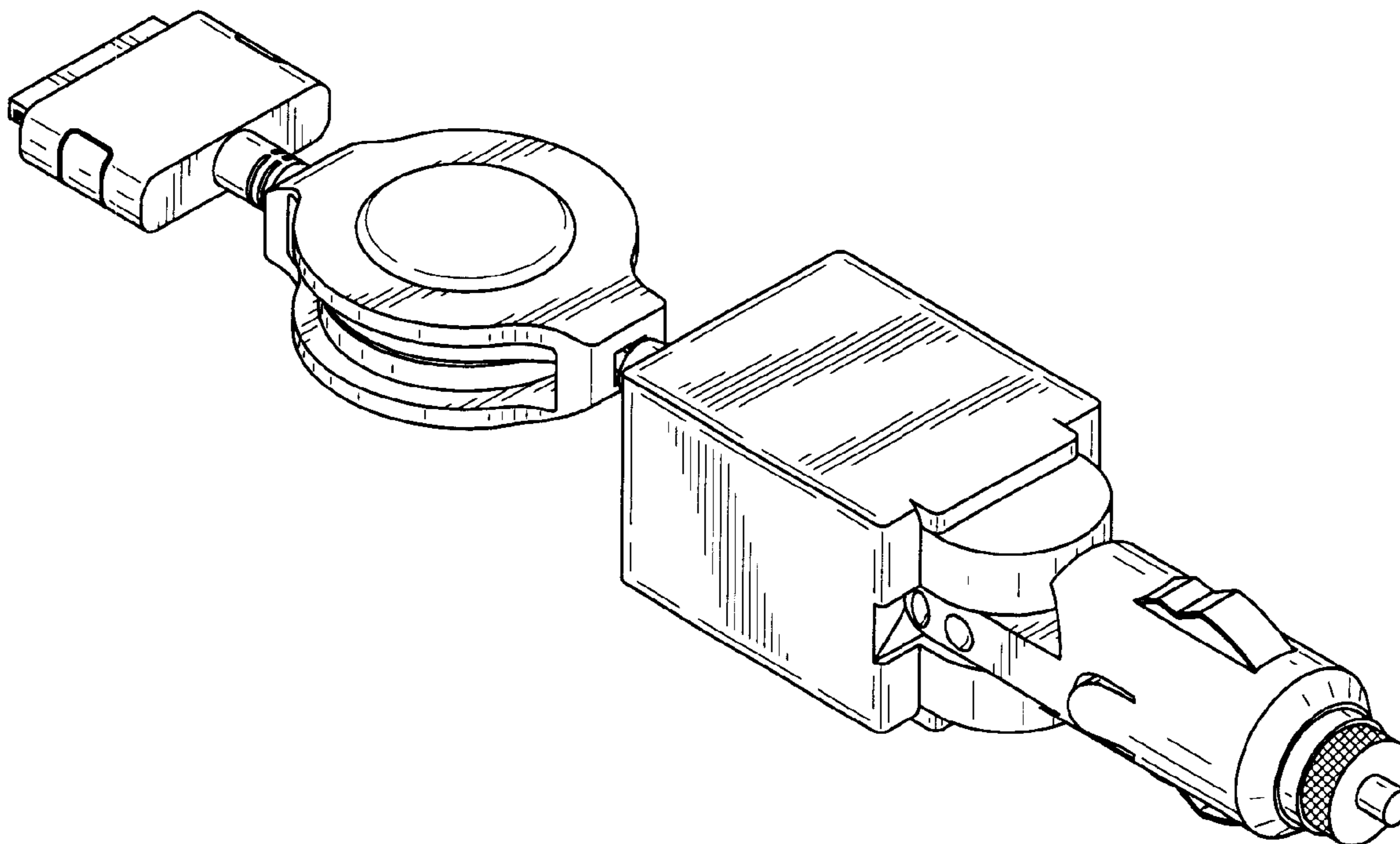


Fig. 1

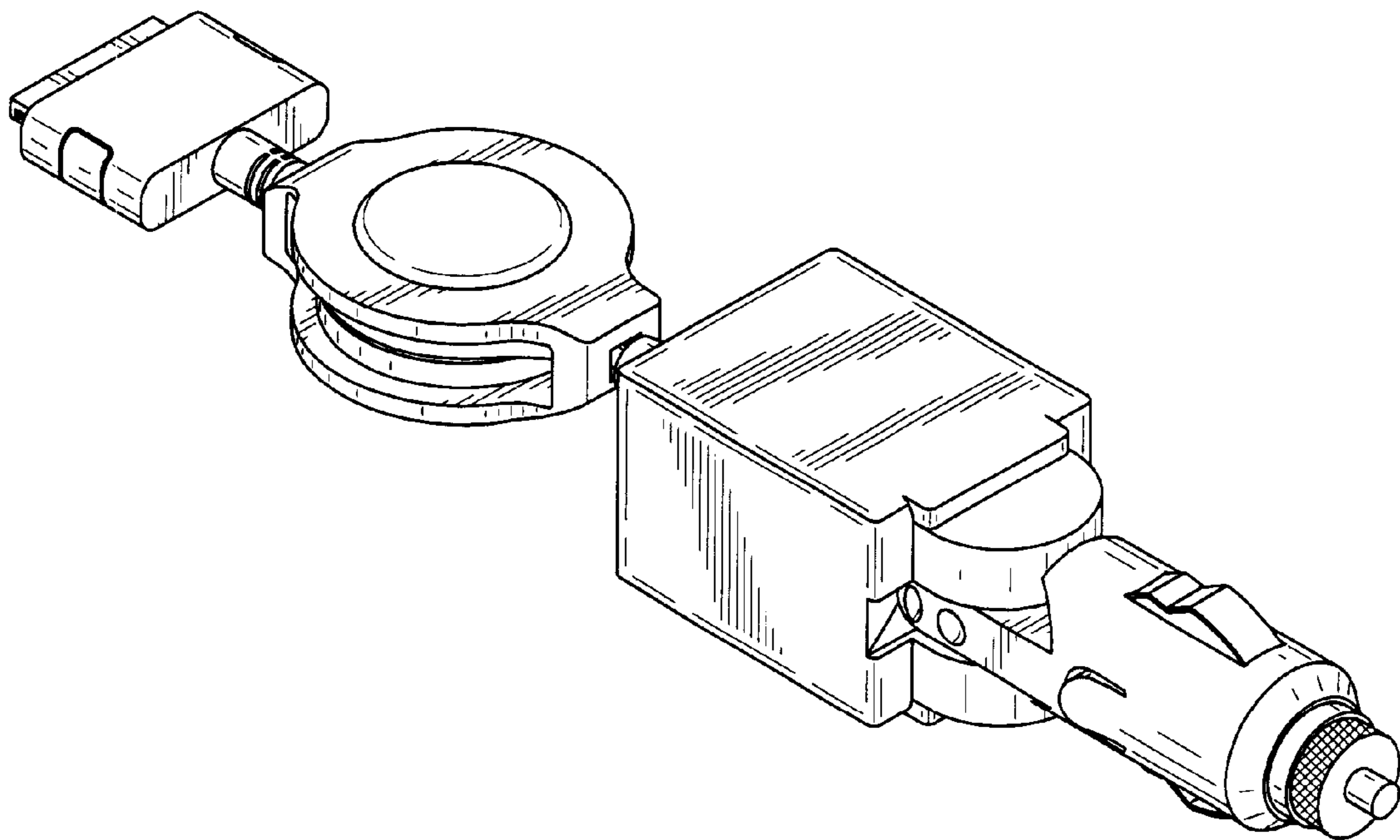


Fig. 2

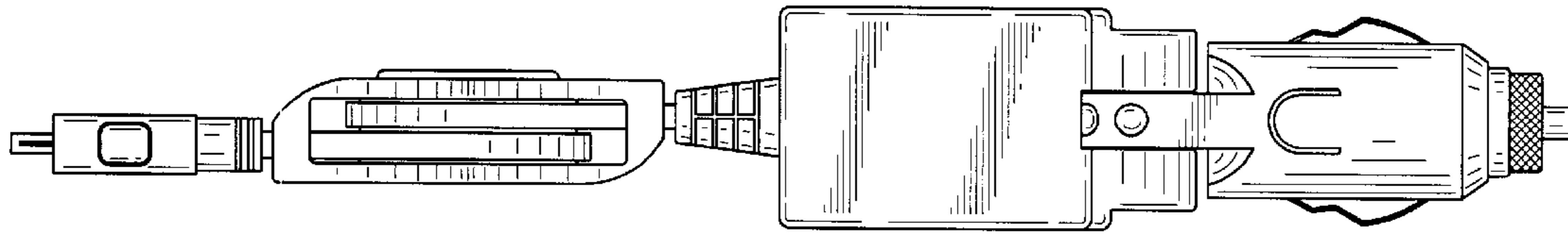


Fig. 3

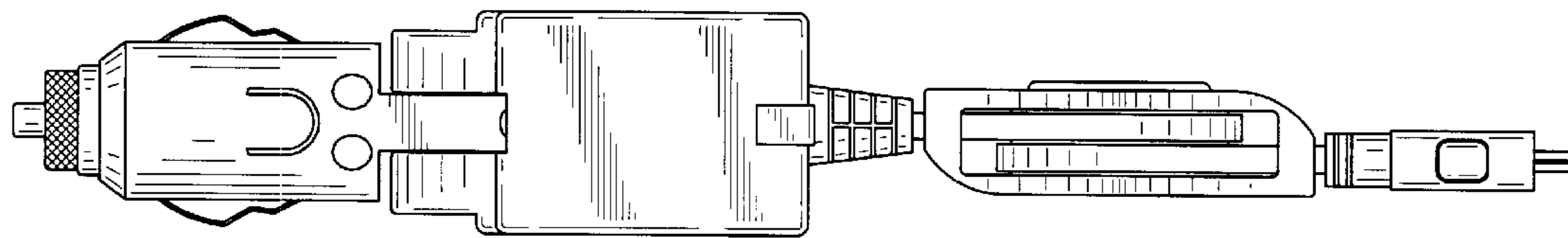


Fig. 4

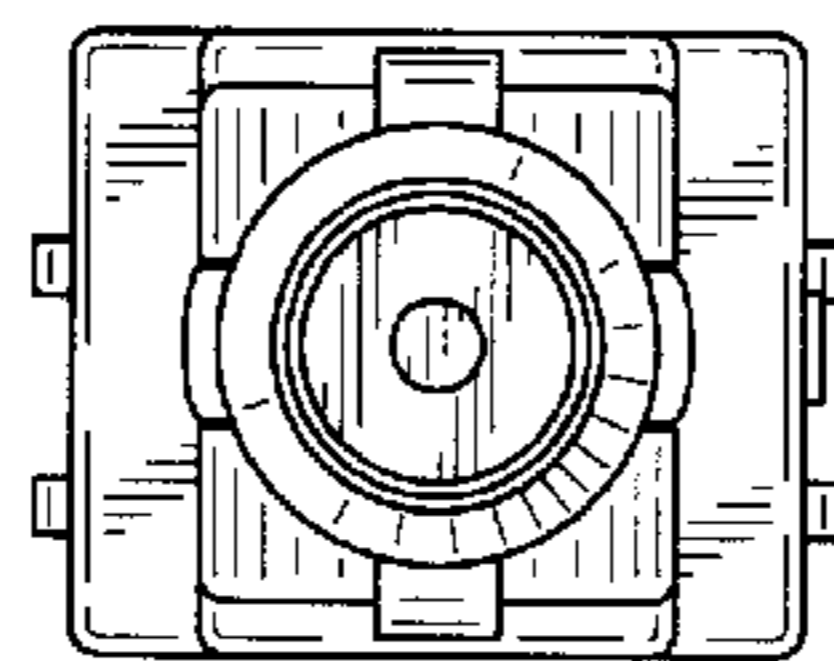


Fig. 5

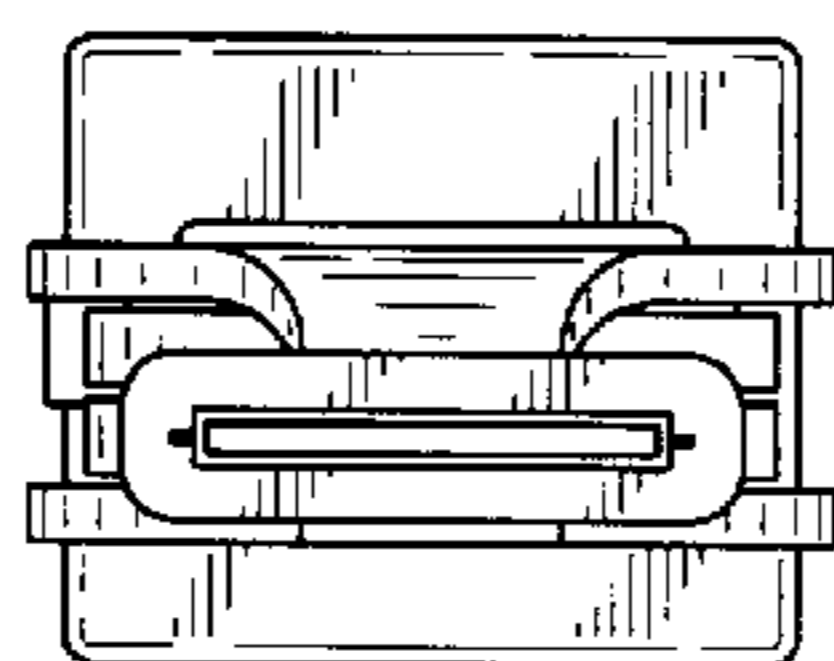


Fig. 6

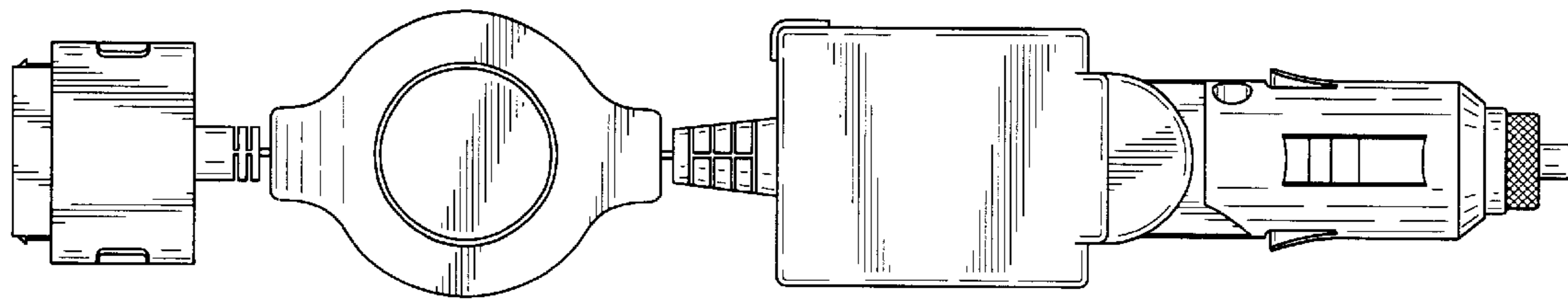


Fig. 7

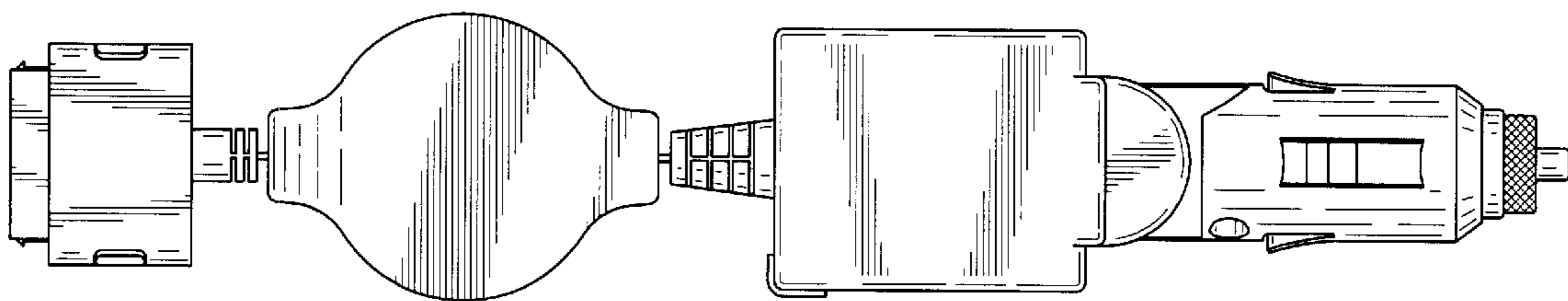


Fig. 8

