



US00D533129S

(12) **United States Design Patent** (10) **Patent No.:** **US D533,129 S**
Guard et al. (45) **Date of Patent:** **** Dec. 5, 2006**

(54) **OVERHEAD STORAGE BIN FOR AN AIRPLANE**

(75) Inventors: **Peter S. Guard**, Sammamish, WA (US); **R. Klaus Brauer**, Seattle, WA (US); **David A. Young**, Seattle, WA (US)

(73) Assignee: **The Boeing Company**, Chicago, IL (US)

(**) Term: **14 Years**

(21) Appl. No.: **29/202,429**

(22) Filed: **Mar. 30, 2004**

(51) **LOC (8) Cl.** **12-07**

(52) **U.S. Cl.** **D12/345**

(58) **Field of Classification Search** D12/345; 220/1.5, 4.28, 4.33, 4.34

See application file for complete search history.

(56) **References Cited**

U.S. PATENT DOCUMENTS

5,279,437 A * 1/1994 Kupersmit 220/4.28
D457,480 S * 5/2002 Natsume et al. D12/345

* cited by examiner

Primary Examiner—Marcus A. Jackson
(74) *Attorney, Agent, or Firm*—Ostrager Chong Flaherty & Broitman P.C.

(57) **CLAIM**

The ornamental design for an overhead storage bin for an airplane, as shown and described.

DESCRIPTION

FIG. 1 is a perspective view of the inventive overhead storage bin for an airplane;

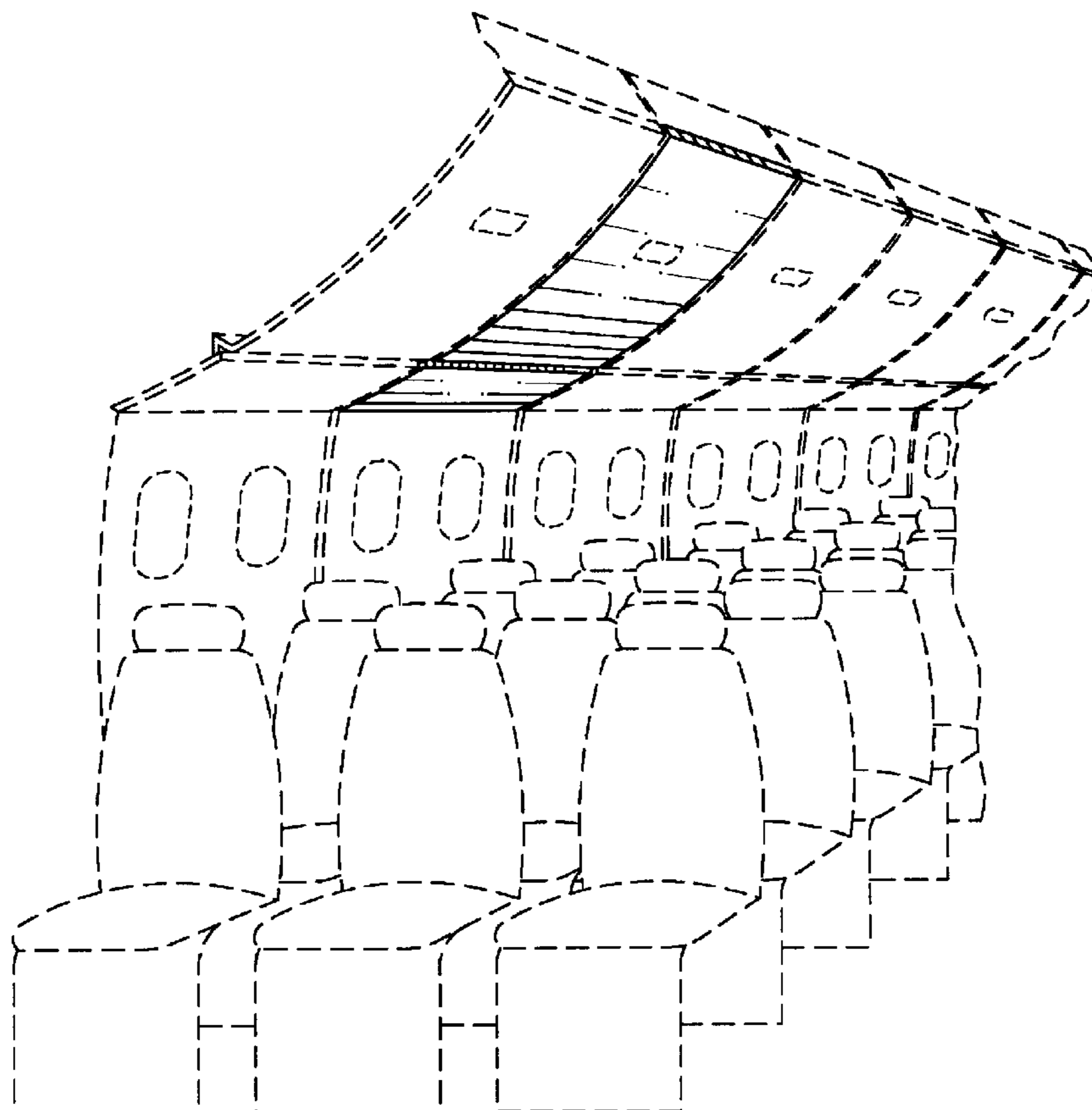
FIG. 2 is a plan view of the overhead storage bin for an airplane;

FIG. 3 is a perspective view of the overhead storage bin for an airplane; and,

FIG. 4 is a side plan view of the overhead storage bin for an airplane, with the opposite side view being a reverse image thereof.

The present invention is directed to the ornamental design for an overhead storage bin for an airplane. The invention is limited to the design of the front facing of the overhead storage bin. There is no claim to the other views of the overhead storage bin for an airplane.

1 Claim, 2 Drawing Sheets



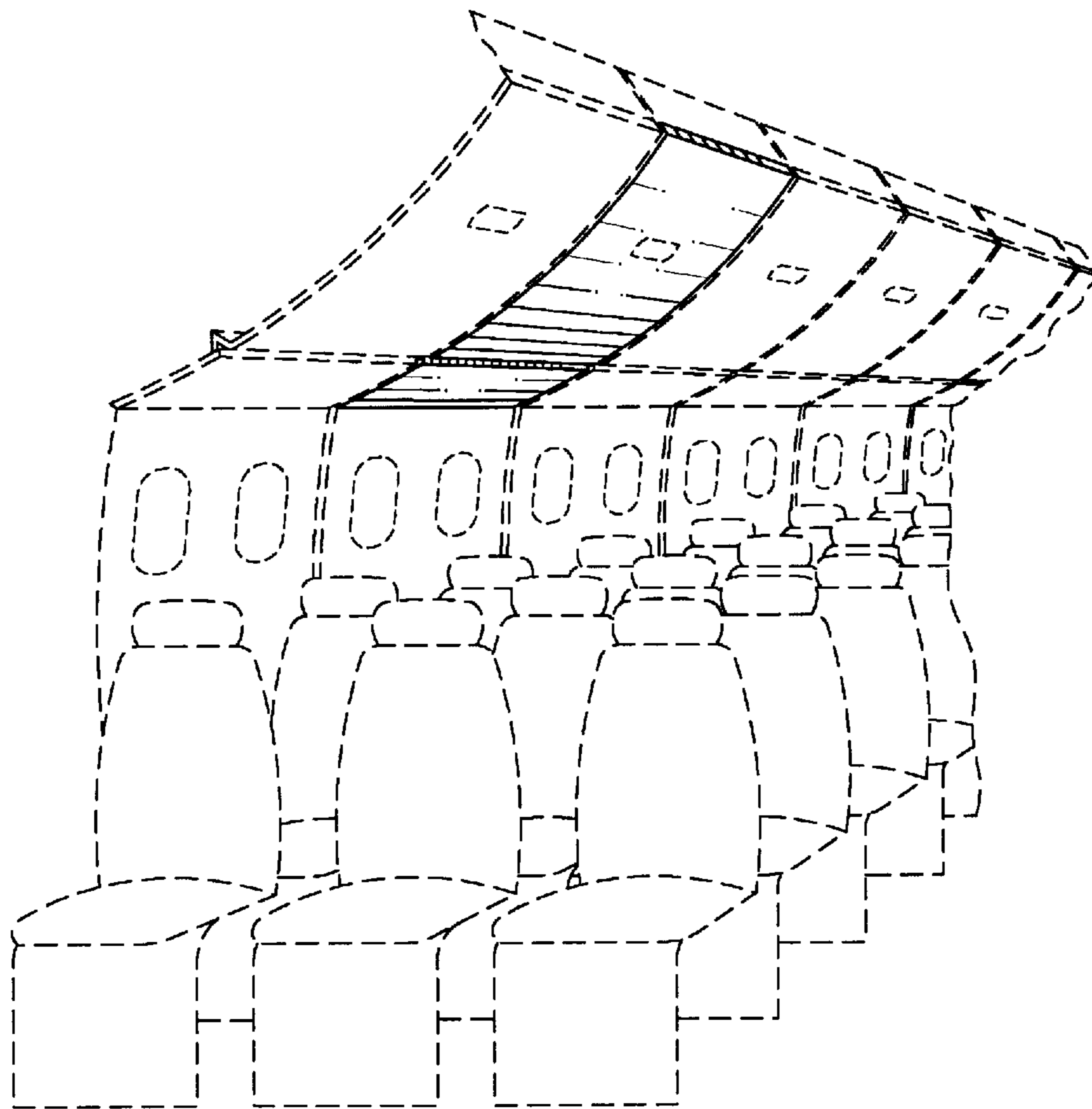


FIG. 1

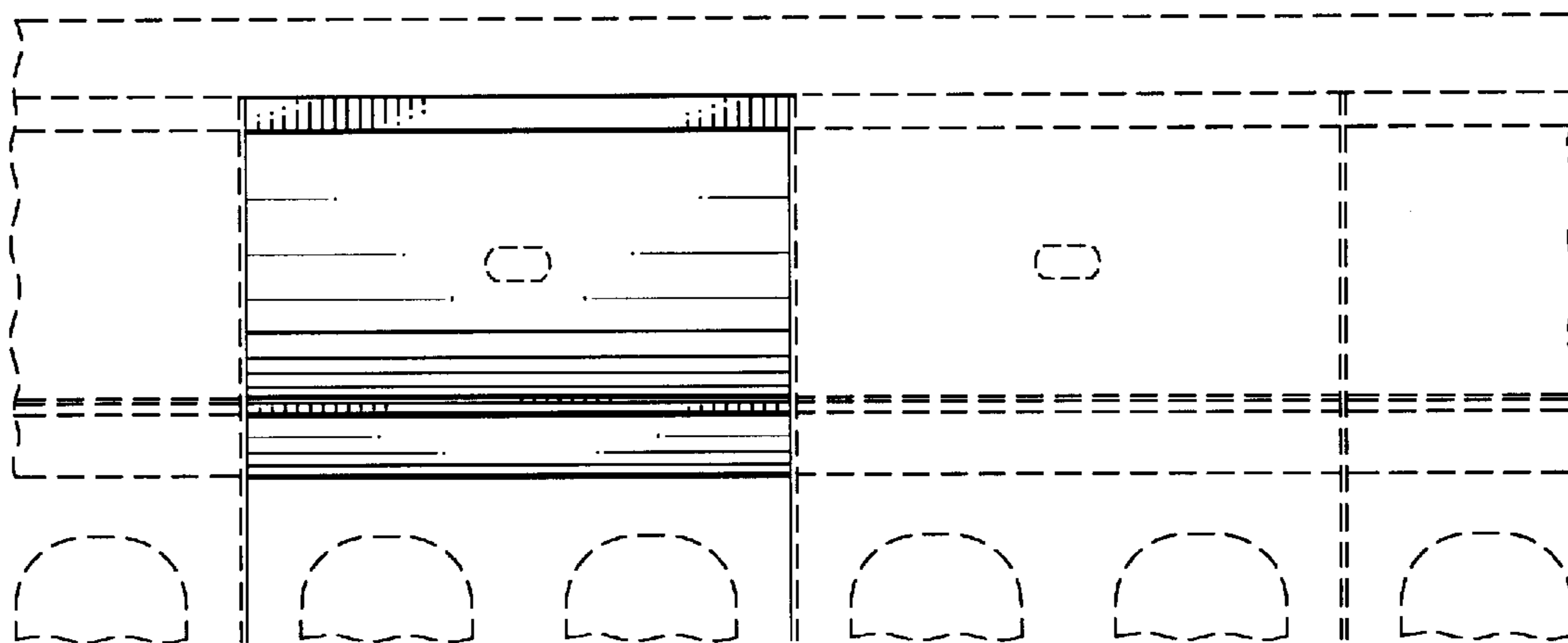


FIG. 2

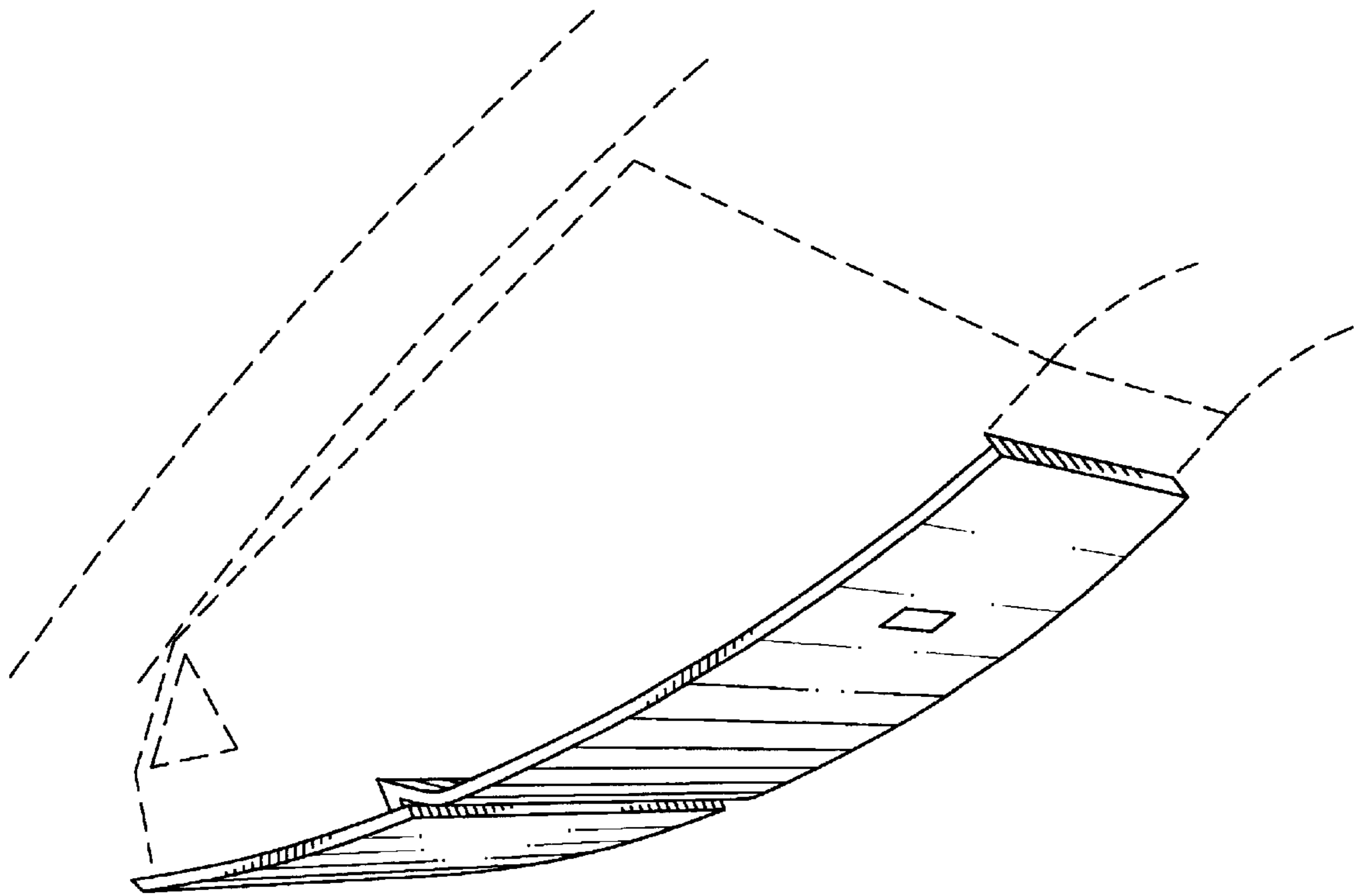


FIG. 3

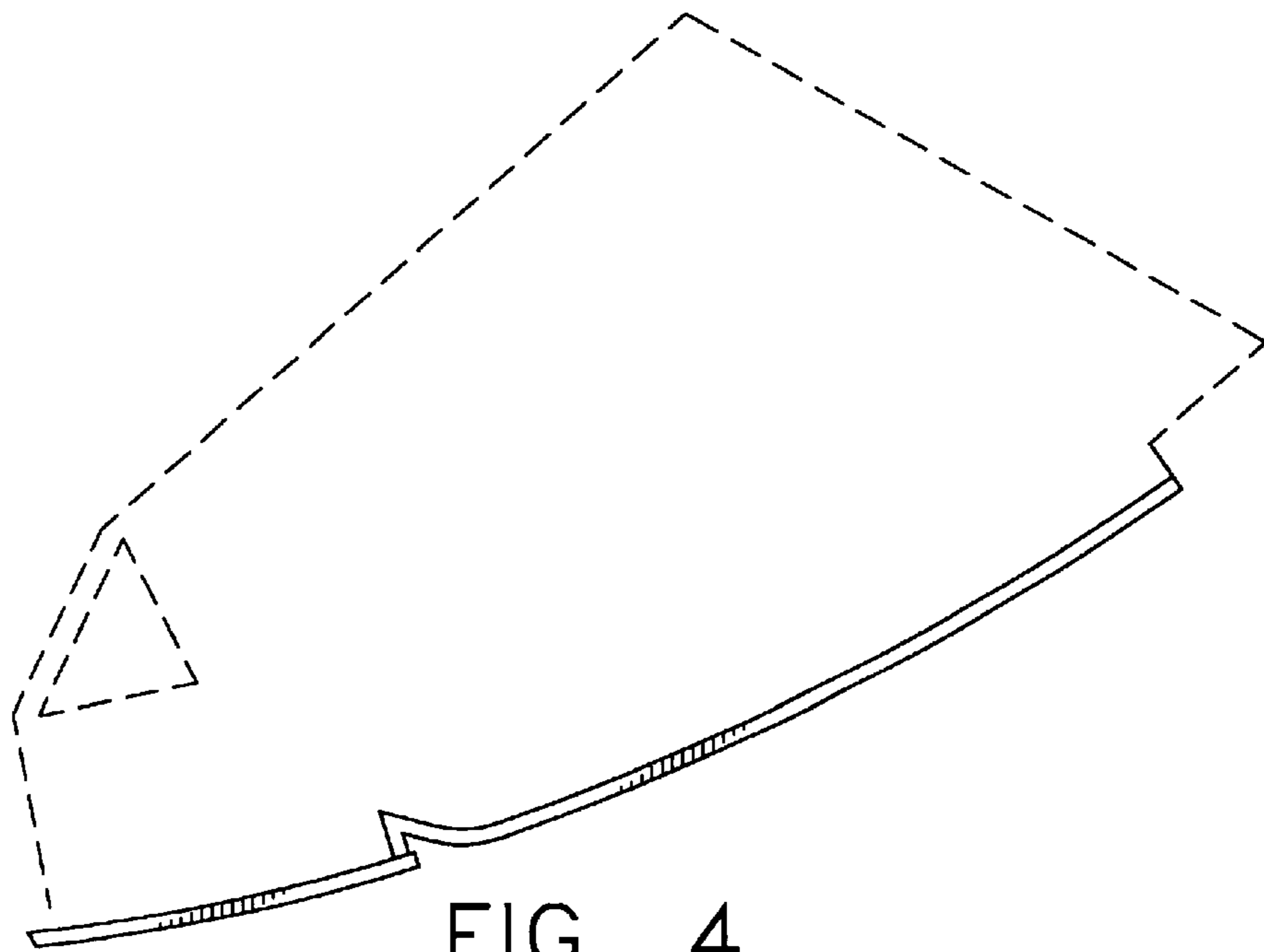


FIG. 4