



US00D533127S

(12) **United States Design Patent**
Martin

(10) **Patent No.:** **US D533,127 S**

(45) **Date of Patent:** **** Dec. 5, 2006**

(54) **VEHICLE WHEEL**

(75) **Inventor:** **Jeffrey L. Martin**, Duncanville, TX
(US)

(73) **Assignee:** **PT Prima Alloy Steel Universal**,
Sidoarjo (ID)

(**) **Term:** **14 Years**

(21) **Appl. No.:** **29/259,516**

(22) **Filed:** **May 10, 2006**

(51) **LOC (8) Cl.** **12-16**

(52) **U.S. Cl.** **D12/209**

(58) **Field of Classification Search** D12/204-213;
301/37.101, 64.101, 65
See application file for complete search history.

(56) **References Cited**

U.S. PATENT DOCUMENTS

D477,264 S * 7/2003 Marji D12/209
D491,871 S * 6/2004 Kang D12/209

D500,721 S * 1/2005 Kataoka D12/209
D500,723 S * 1/2005 Alimchandani D12/209
D522,436 S * 6/2006 Long D12/209
D522,438 S * 6/2006 Kern D12/209

* cited by examiner

Primary Examiner—Stacia Cadmus

(74) *Attorney, Agent, or Firm*—Fulwider Patton LLP

(57) **CLAIM**

The ornamental design for a “vehicle wheel,” as shown and described.

DESCRIPTION

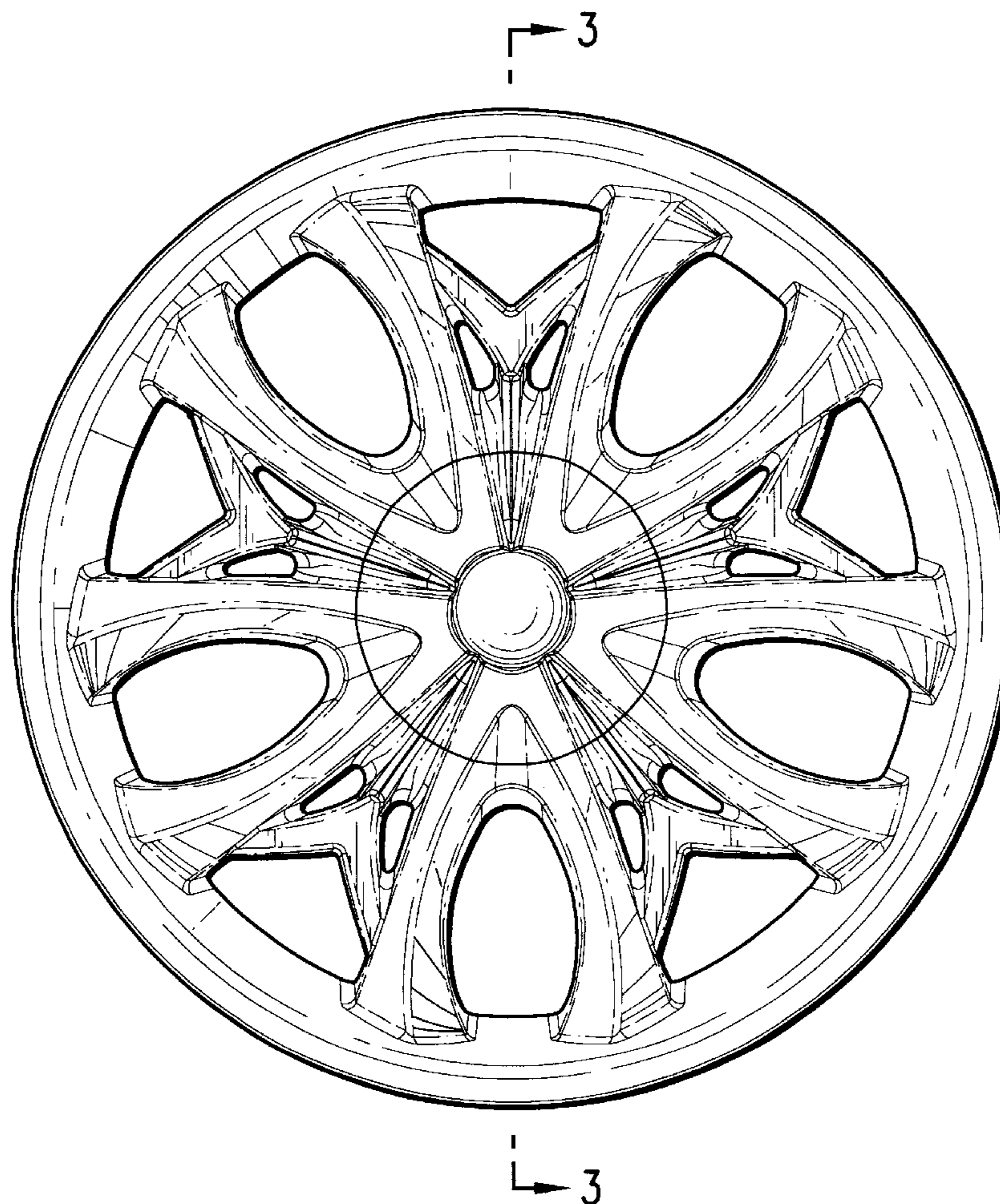
FIG. 1 is a perspective view of the vehicle wheel showing my new design;

FIG. 2 is a front elevational view thereof; and,

FIG. 3 is a cross-sectional view taken along the lines of 3—3 of FIG. 2.

The broken line showing of environment is for illustrative purposes only and forms no part of the claimed design.

1 Claim, 3 Drawing Sheets



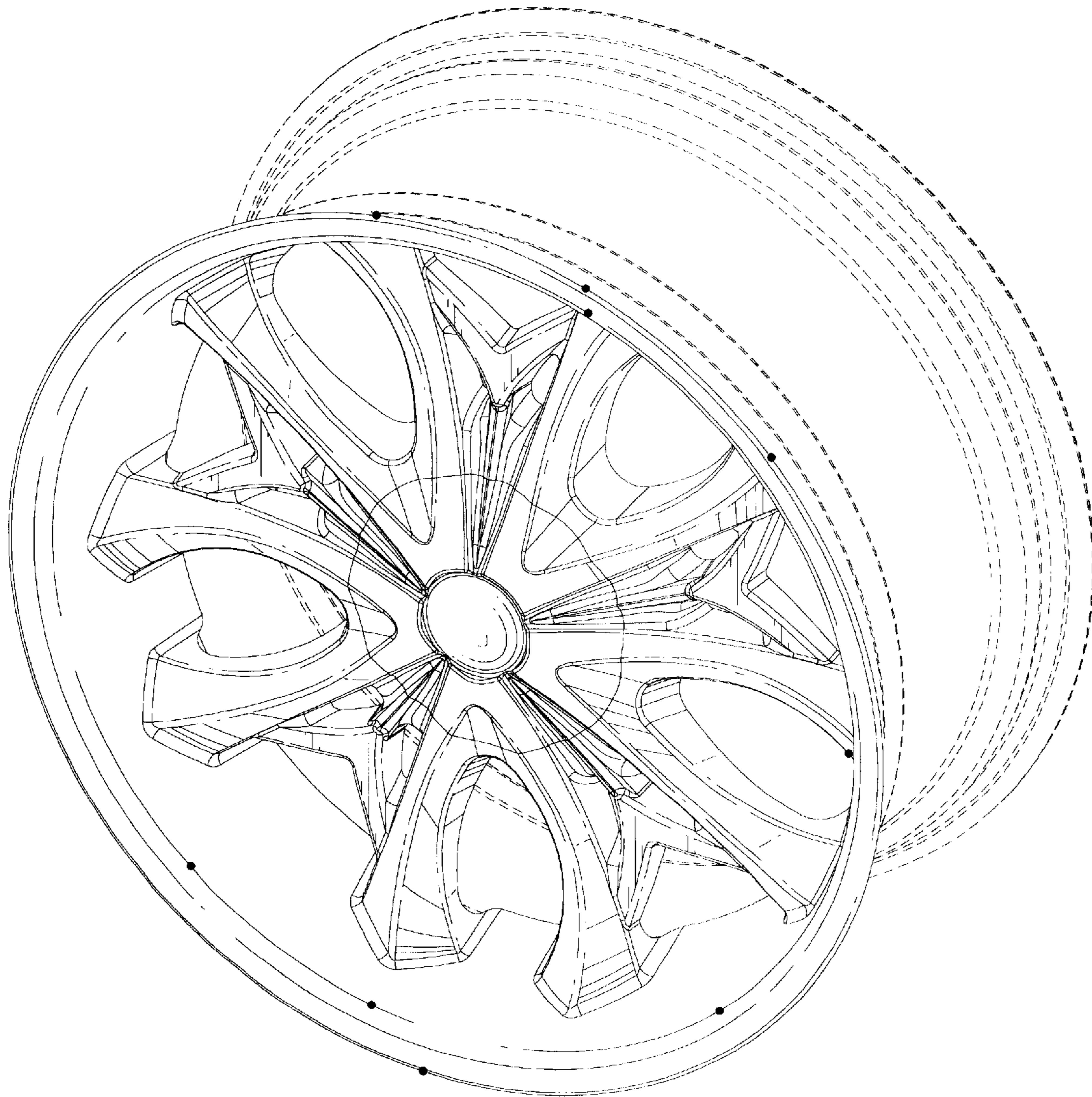


FIG. 1

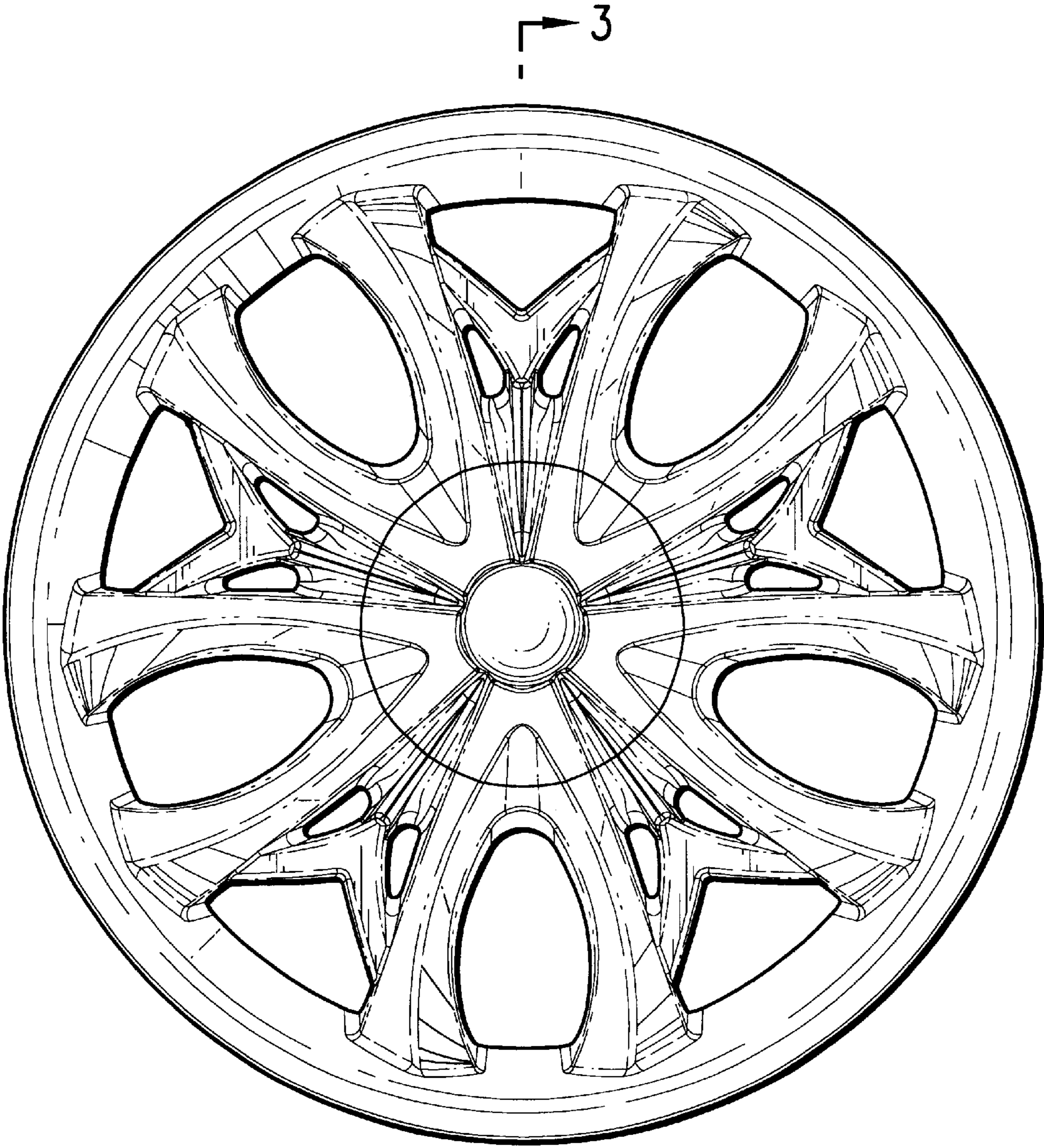


FIG. 2

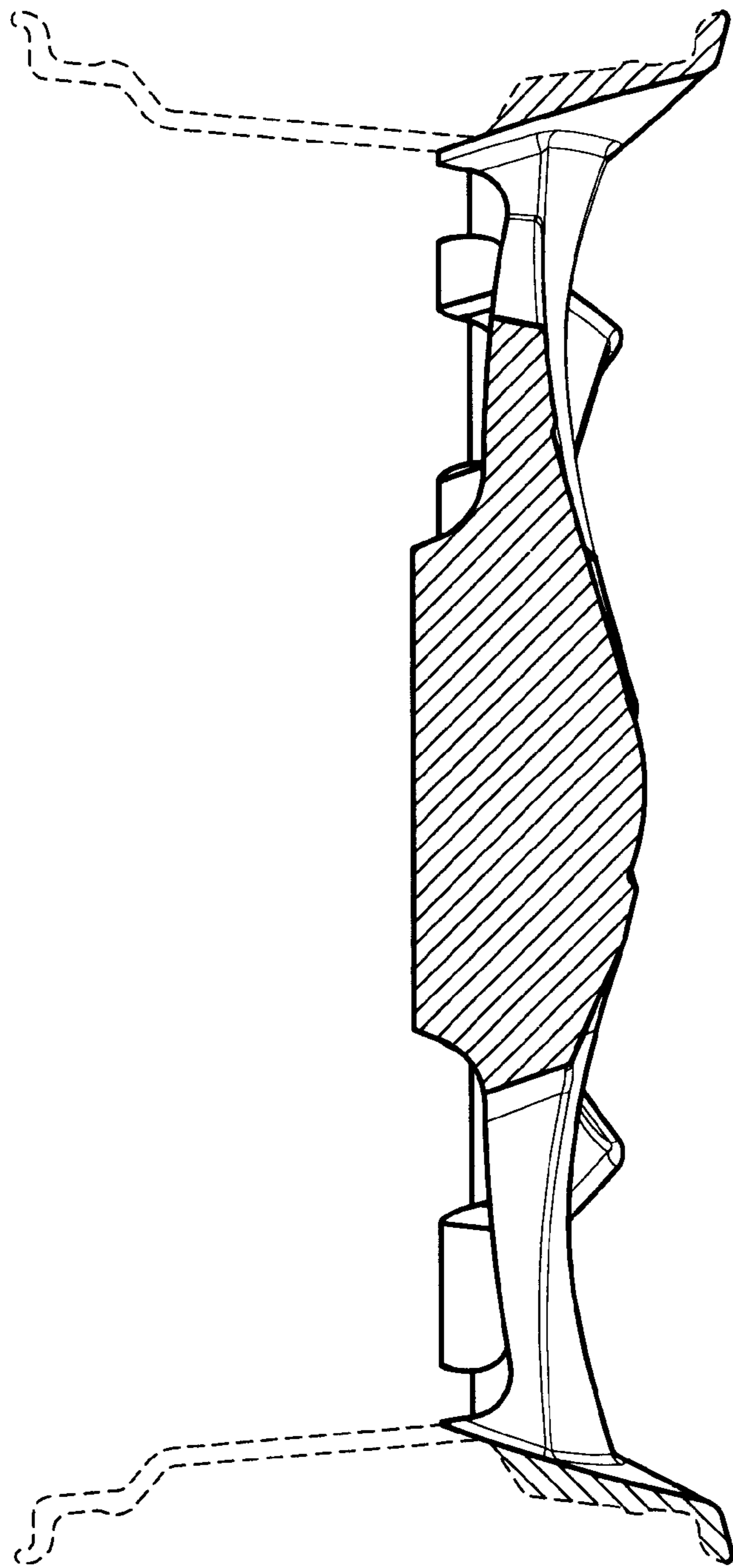


FIG. 3