



US00D533126S

(12) **United States Design Patent**
Looho

(10) **Patent No.:** **US D533,126 S**
(45) **Date of Patent:** **** Dec. 5, 2006**

- (54) **VEHICLE WHEEL**
- (75) Inventor: **Justinus Looho**, Surabaya (ID)
- (73) Assignee: **PT Prima Alloy Steel Universal**,
Sidoarjo (ID)
- (**) Term: **14 Years**
- (21) Appl. No.: **29/241,689**
- (22) Filed: **Oct. 31, 2005**
- (51) **LOC (8) Cl.** **12-16**
- (52) **U.S. Cl.** **D12/209**
- (58) **Field of Classification Search** D12/204–213;
301/37.101, 64.101, 65
See application file for complete search history.

- D479,174 S * 9/2003 McMath D12/209
- D492,235 S * 6/2004 Nordmann D12/211
- D496,318 S * 9/2004 Cheng D12/209
- D500,723 S * 1/2005 Alimchandani D12/209
- D512,008 S * 11/2005 Tirado D12/209

* cited by examiner

Primary Examiner—Stacia Cadmus
(74) *Attorney, Agent, or Firm*—Fulwider Patton LLP

(57) **CLAIM**

The ornamental design for a “vehicle wheel,” as shown and described.

DESCRIPTION

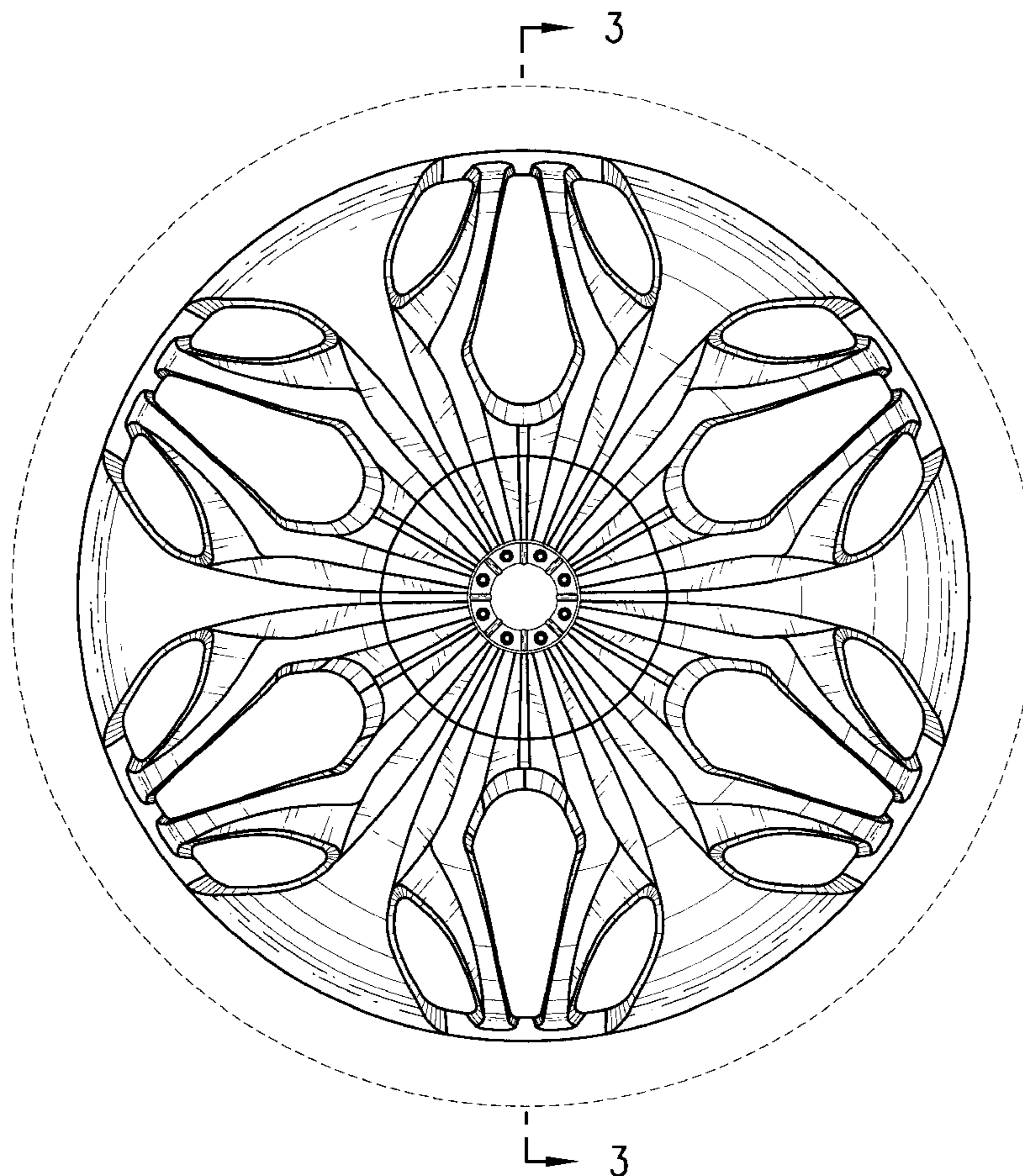
FIG. 1 is a perspective view of the vehicle wheel showing my new design;
FIG. 2 is a front elevational view thereof; and,
FIG. 3 is a cross-sectional view taken along the lines of 3—3 of FIG. 2.
The broken line showing of environment is for illustrative purposes only and forms no part of the claimed design.
The vehicle wheel is shown on an enlarged scale in FIGS. 2–3.

(56) **References Cited**

U.S. PATENT DOCUMENTS

- D284,073 S * 6/1986 Flodman D12/211
- D371,761 S * 7/1996 Abbott D12/209
- D451,874 S * 12/2001 Donikoglu D12/209
- D455,698 S * 4/2002 Chung D12/209
- D464,308 S * 10/2002 Chung D12/209
- D477,557 S * 7/2003 Iacovelli et al. D12/211

1 Claim, 3 Drawing Sheets



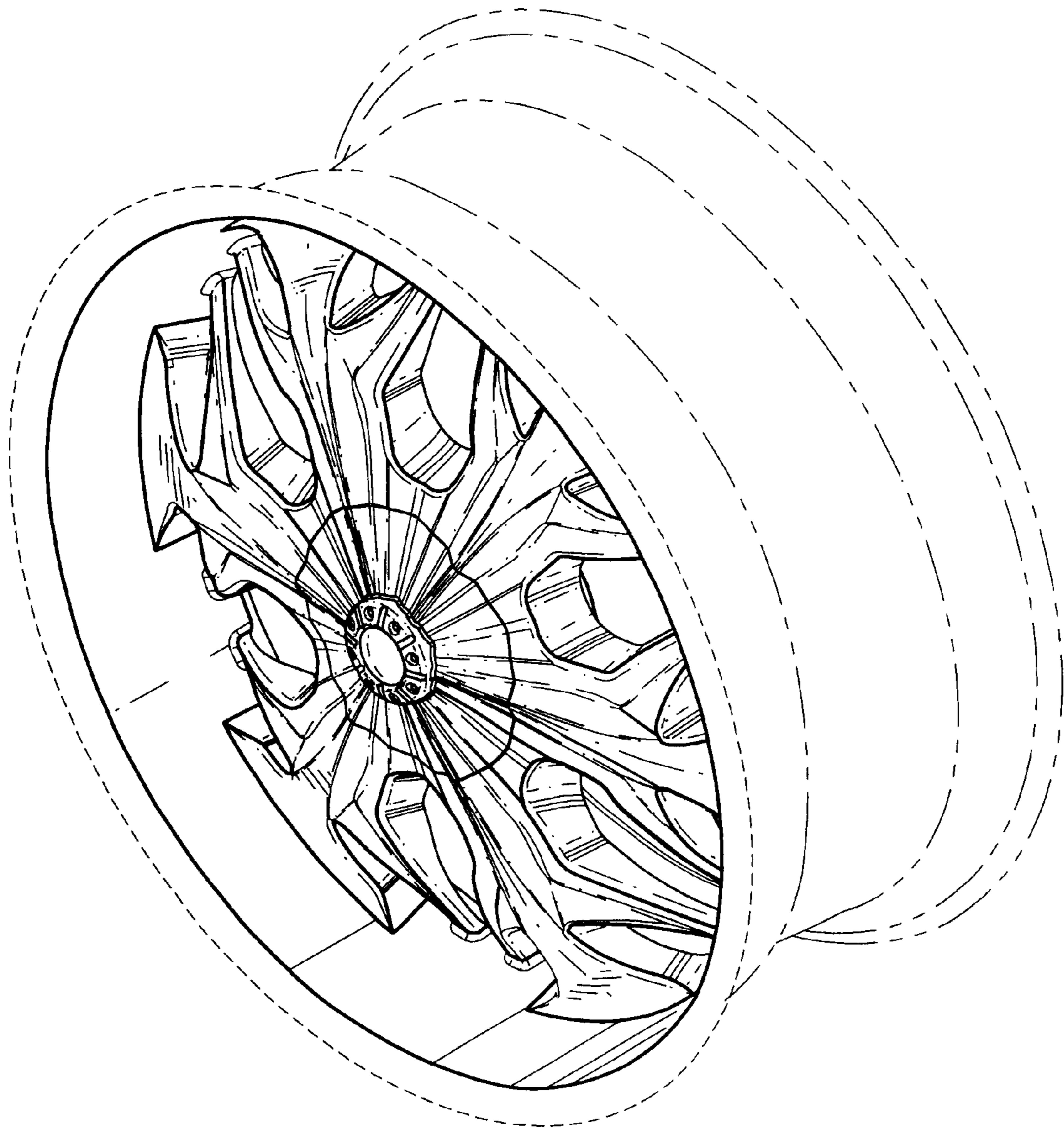


FIG. 1

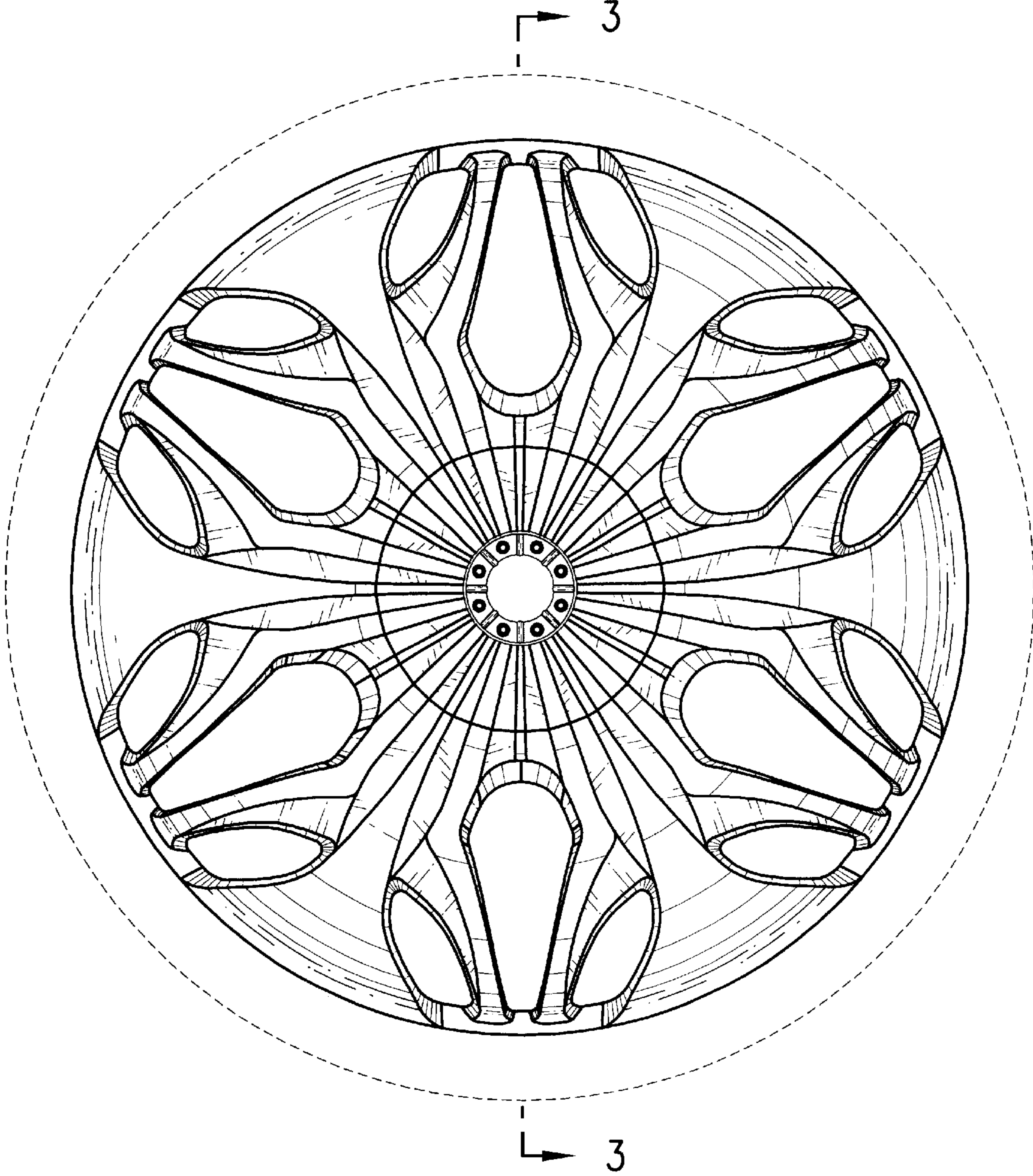


FIG. 2

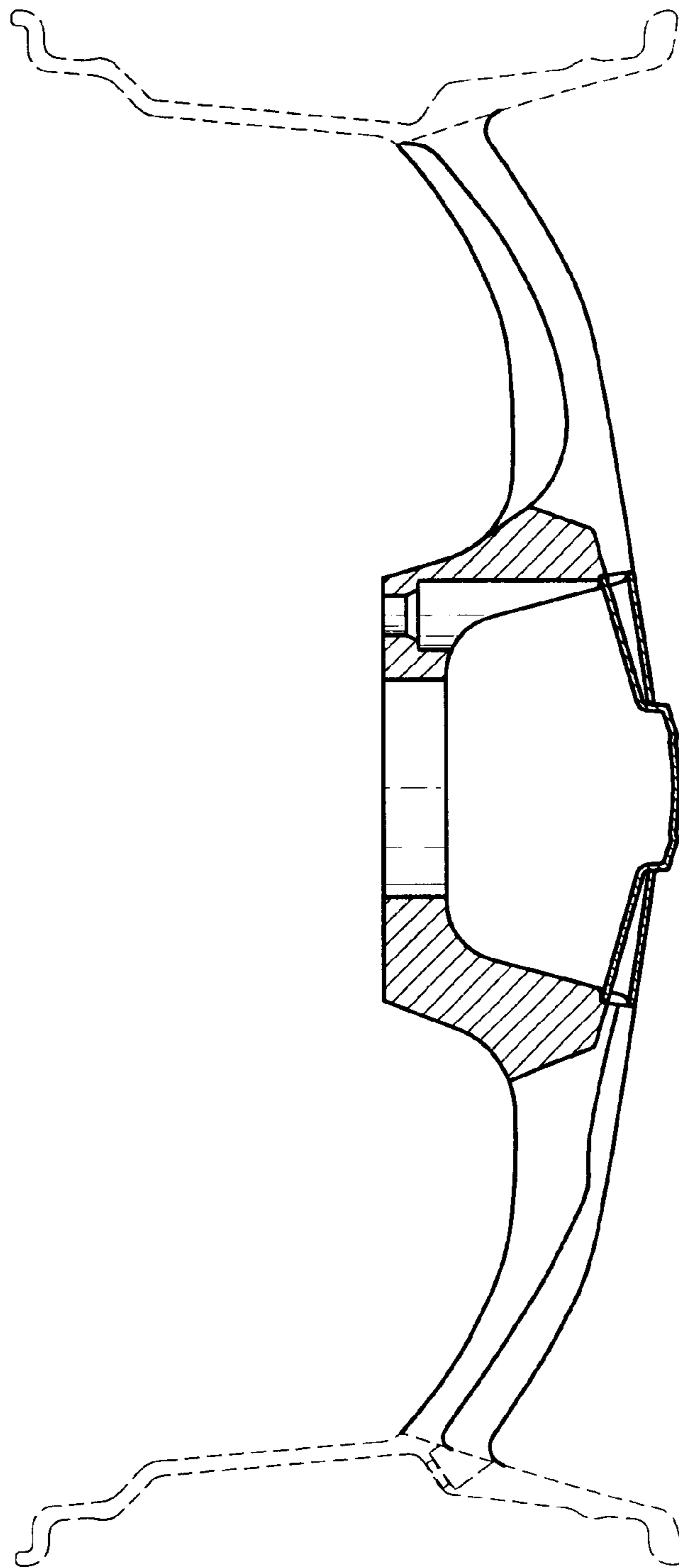


FIG. 3