

US00D533125S

(12) **United States Design Patent** (10) **Patent No.:** **US D533,125 S**
Kokubu (45) **Date of Patent:** **** Dec. 5, 2006**

(54) **FRONT SIDE COVER OF A MOTOR SCOOTER**

(75) Inventor: **Takahiro Kokubu**, Wako (JP)

(73) Assignee: **Honda Motor Co., Ltd.**, Tokyo (JP)

(**) Term: **14 Years**

(21) Appl. No.: **29/253,281**

(22) Filed: **Feb. 3, 2006**

(30) **Foreign Application Priority Data**

Aug. 4, 2005 (JP) 2005-022753

(51) **LOC (8) Cl.** **12-16**

(52) **U.S. Cl.** **D12/182**

(58) **Field of Classification Search** D12/110,
D12/126, 182, 186; 280/152.1, 152.2, 152.3,
280/848, 852; 180/219, 225; 296/193.01,
296/192, 78.1, 193.09, 180.1, 193.05

See application file for complete search history.

(56) **References Cited**

U.S. PATENT DOCUMENTS

D496,613 S * 9/2004 Everitt et al. D12/182

D521,415 S * 5/2006 Kojima et al. D12/110

* cited by examiner

Primary Examiner—Alan P. Douglas

Assistant Examiner—Linda Brooks

(74) *Attorney, Agent, or Firm*—Arent Fox PLLC

(57) **CLAIM**

The ornamental design for a front side cover of a motor scooter, as shown and described.

DESCRIPTION

FIG. 1 is a front view of a front side cover of a motor scooter showing my new design.

FIG. 2 is a plan view thereof.

FIG. 3 is a bottom view thereof.

FIG. 4 is a rear view thereof.

FIG. 5 is a right side view thereof.

FIG. 6 is a perspective view thereof as seen from the right front side.

FIG. 7 is a perspective view thereof as seen from the left front side.

FIG. 8 is a perspective view thereof as seen from the left rear side; and,

FIG. 9 is a perspective view thereof as seen from the right rear side.

The portions shown in dotted lines are not part of the claimed design.

1 Claim, 5 Drawing Sheets

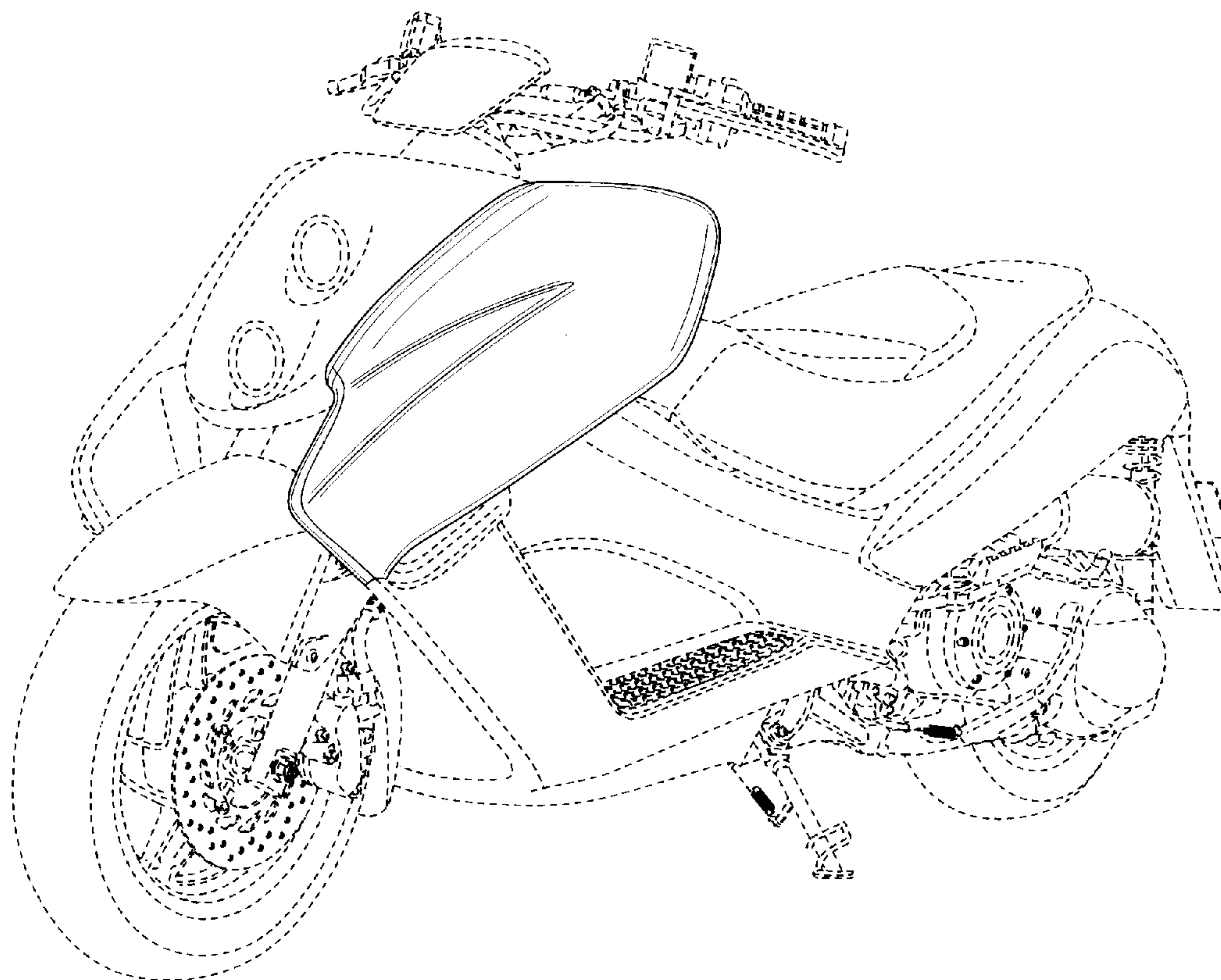


FIG.1

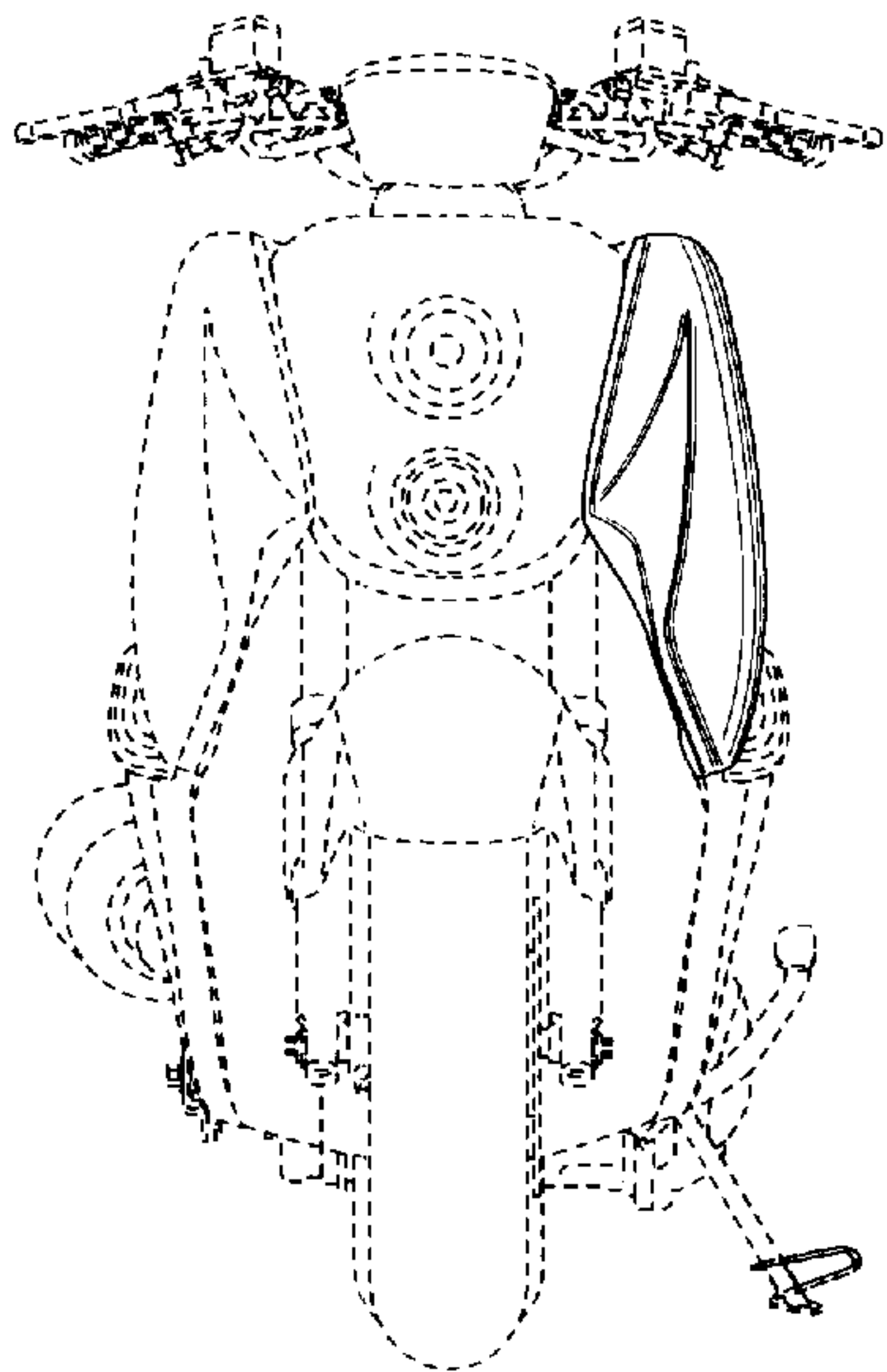


FIG.2

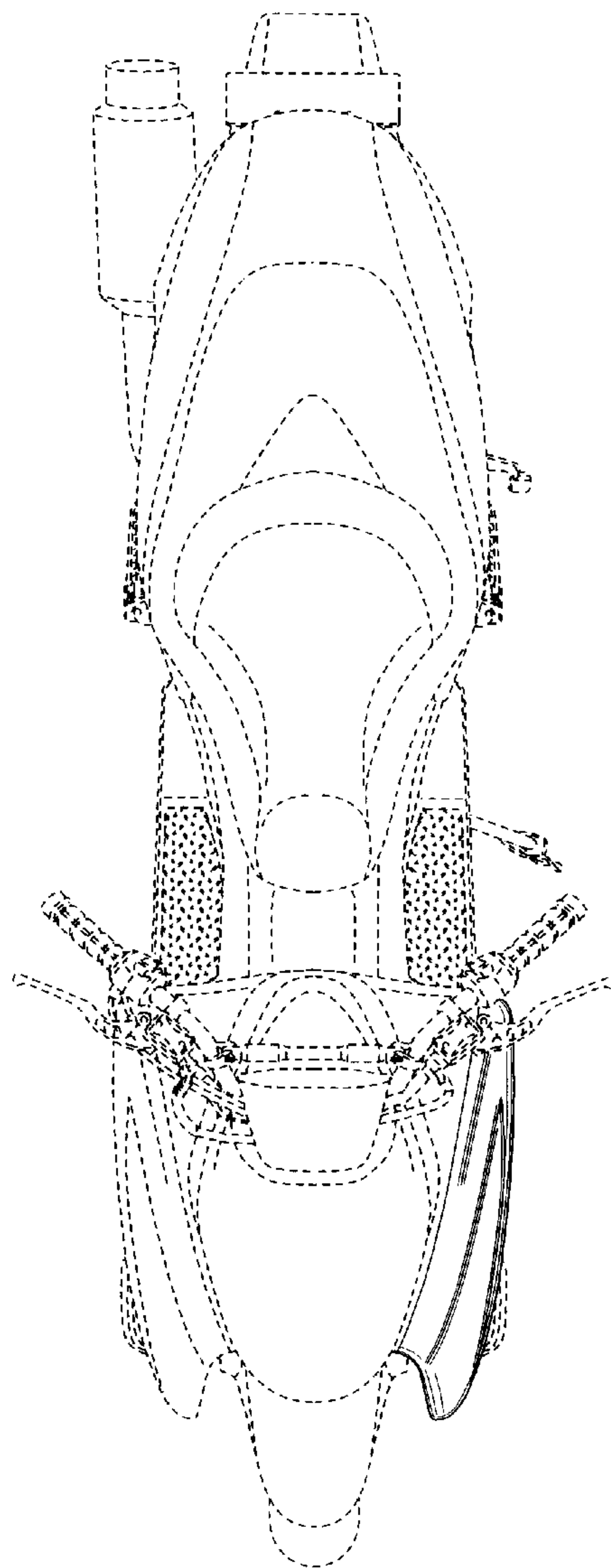


FIG.3

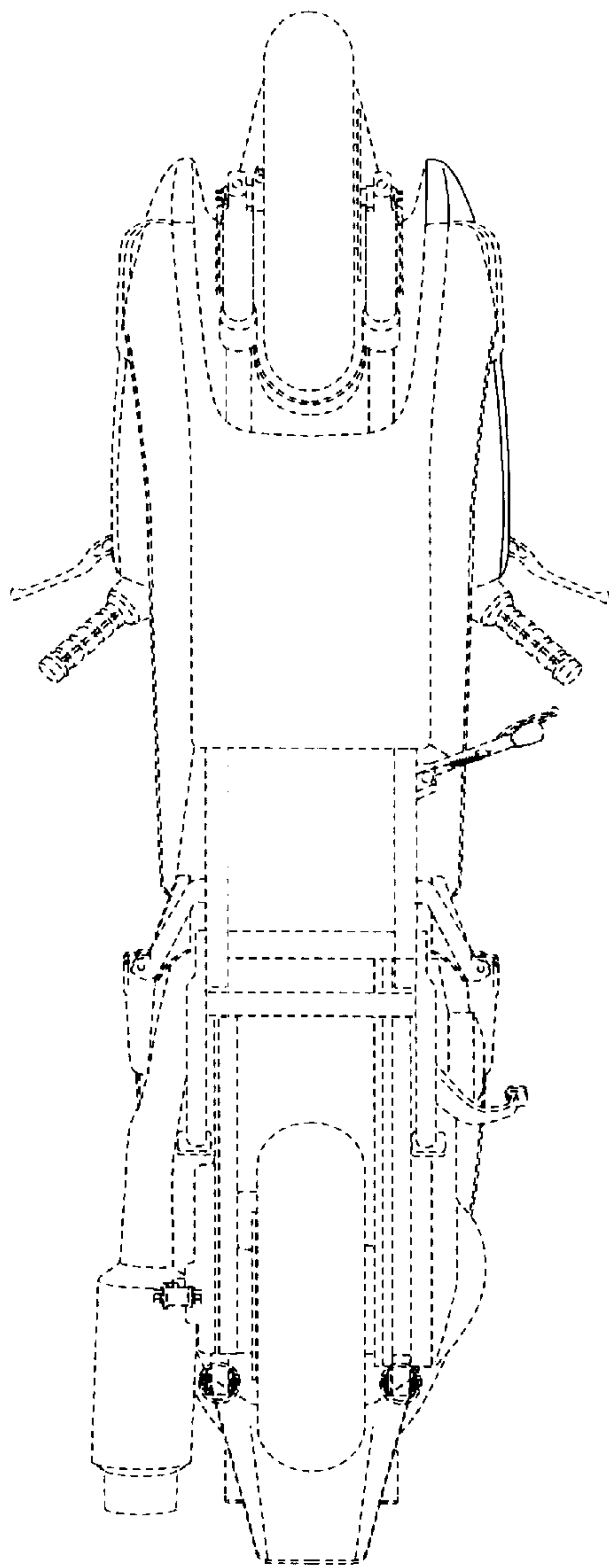


FIG.4

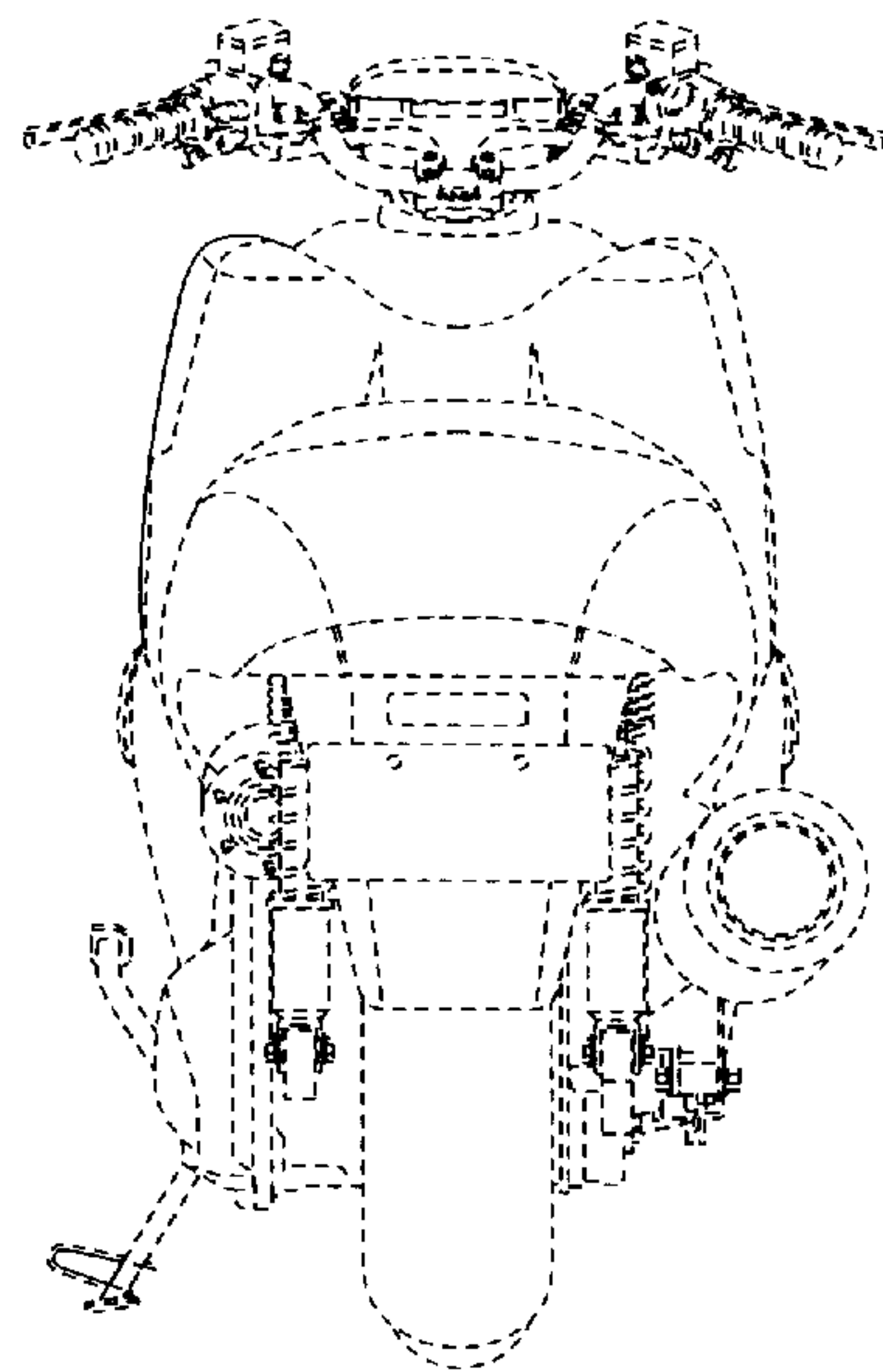


FIG.5

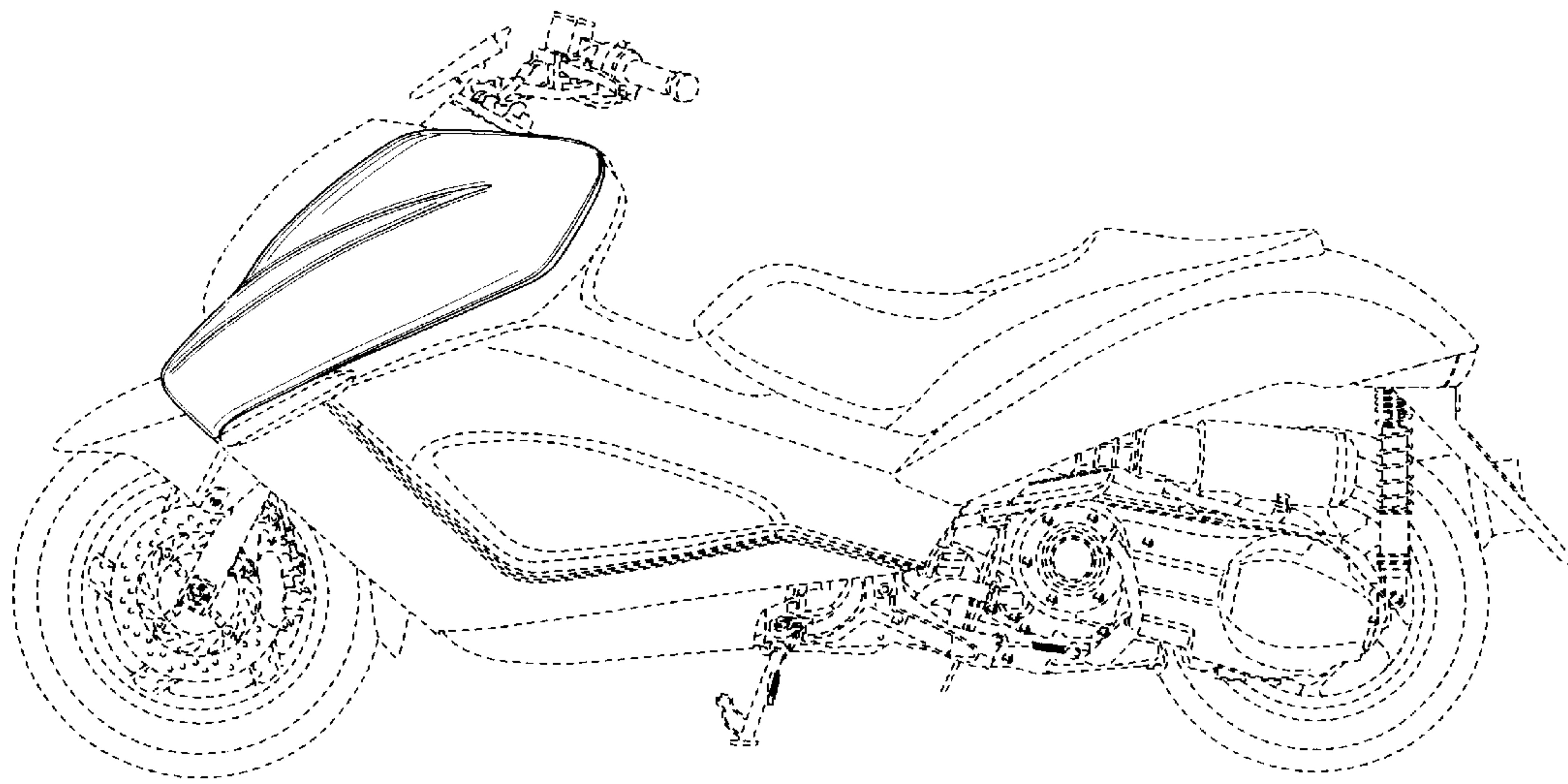


FIG.6

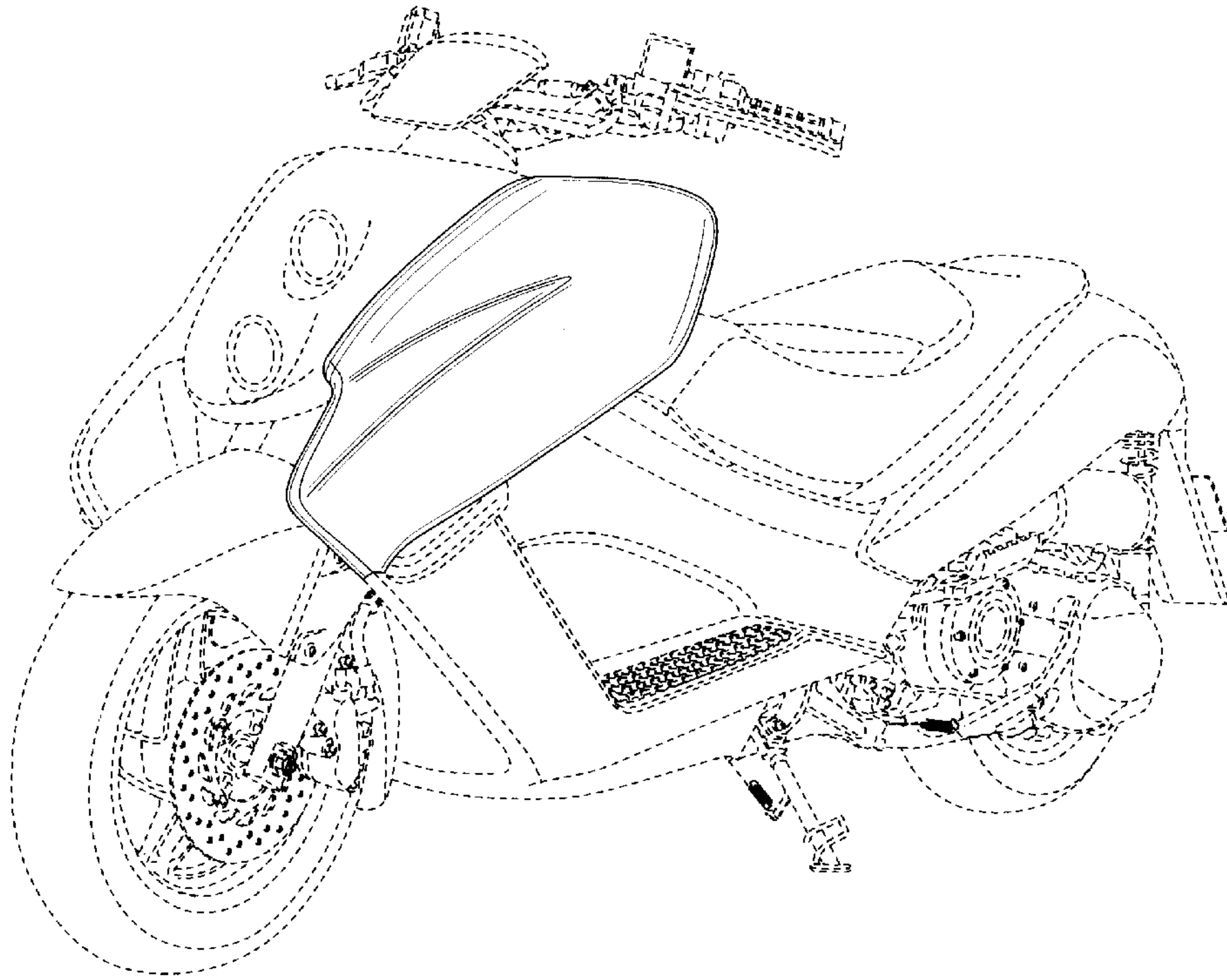


FIG.7

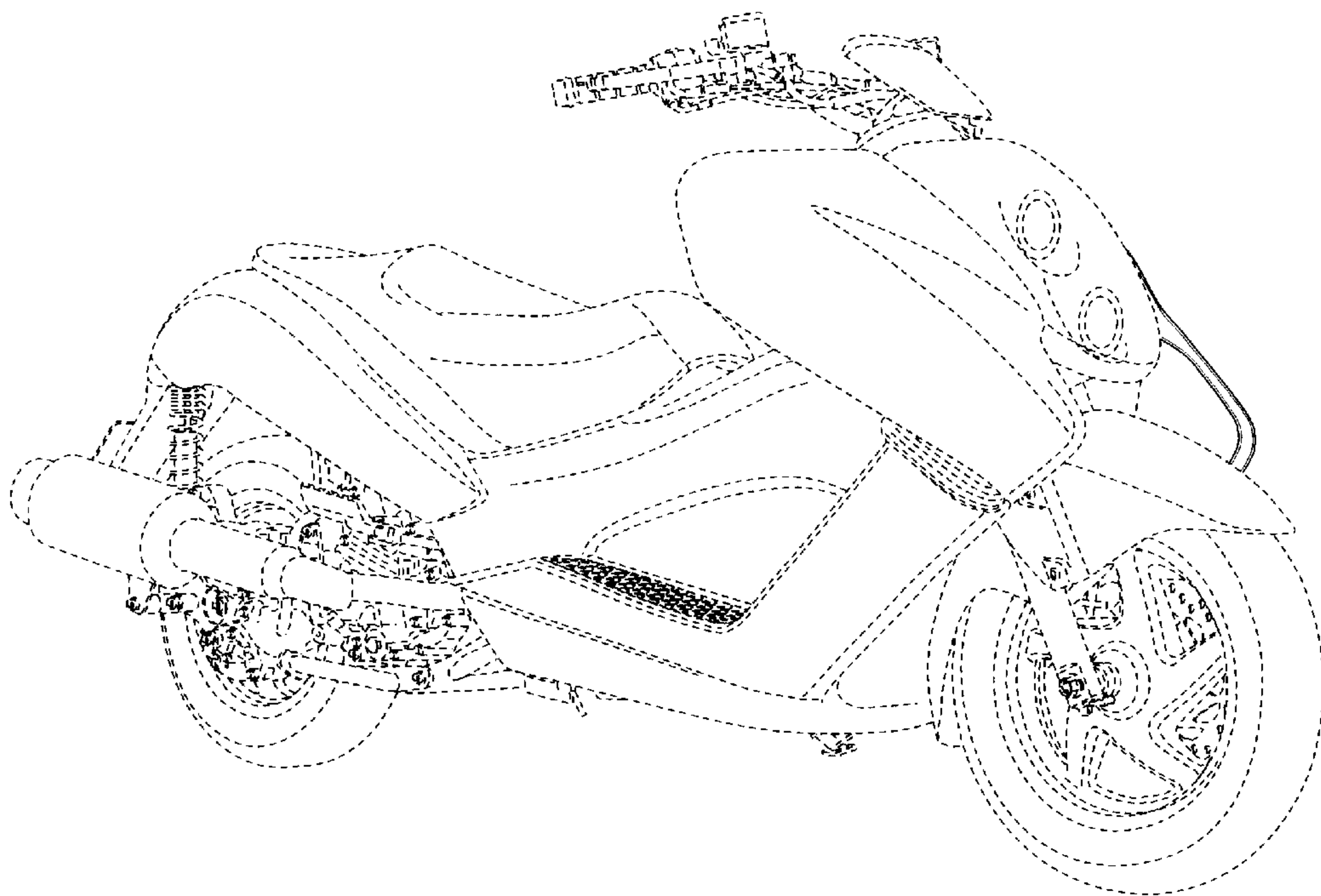


FIG.8

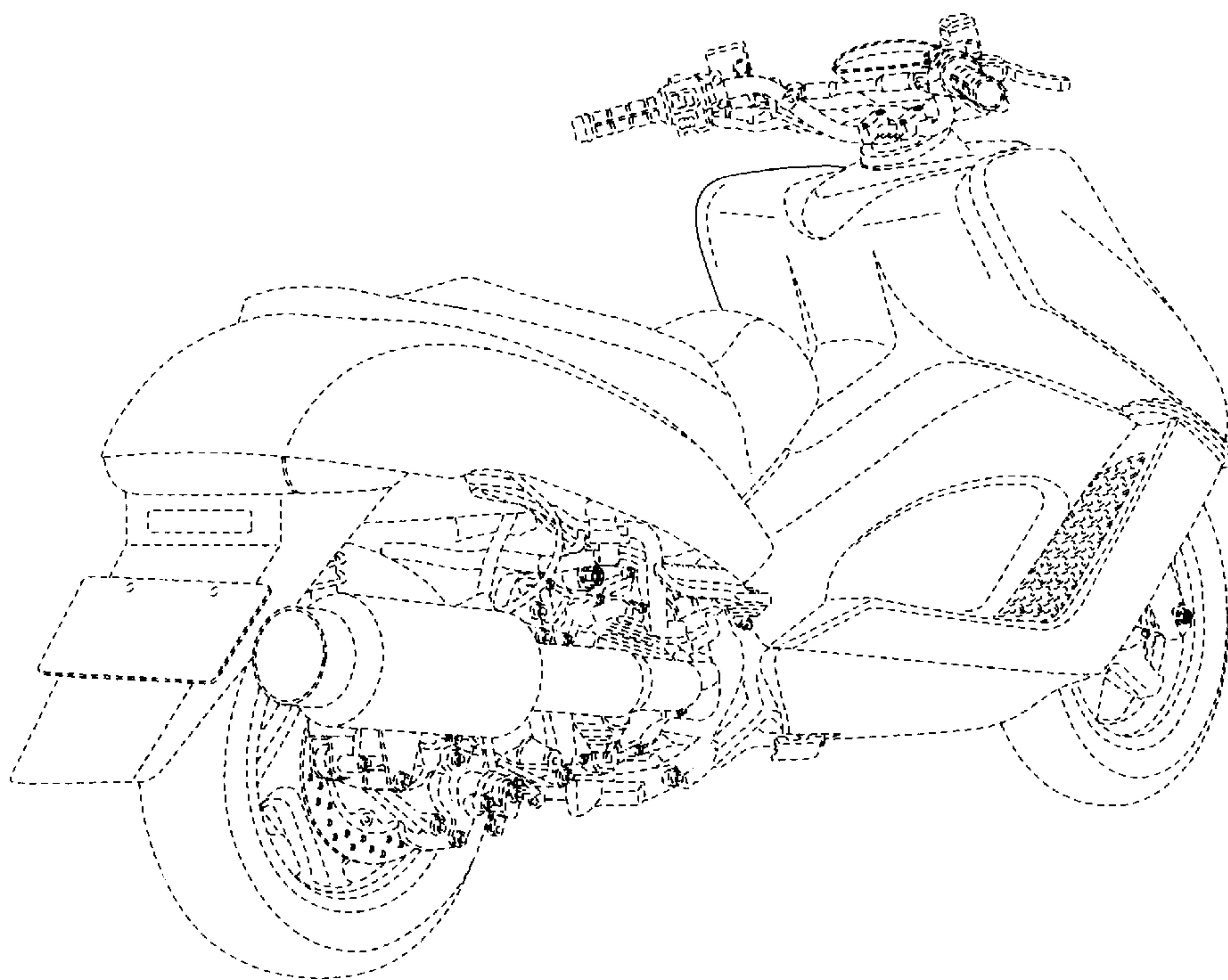


FIG.9

