



US00D533121S

(12) **United States Design Patent**
Konaka

(10) **Patent No.:** **US D533,121 S**
(45) **Date of Patent:** **** Dec. 5, 2006**

(54) **HOOD FOR AN AUTOMOBILE**

D522,419 S * 6/2006 Minami D12/173

(75) Inventor: **Manabu Konaka**, Wako (JP)

OTHER PUBLICATIONS

(73) Assignee: **Honda Motor Co., Ltd.**, Tokyo (JP)

Notification of Refusal dated Sep. 30, 2005.

(**) Term: **14 Years**

* cited by examiner

(21) Appl. No.: **29/234,358**

Primary Examiner—Melody N. Brown

(22) Filed: **Jul. 18, 2005**

(74) *Attorney, Agent, or Firm*—Westerman, Hattori, Daniels, & Adrian, LLP

(30) **Foreign Application Priority Data**

(57) **CLAIM**

Jan. 19, 2005 (JP) 2005-001145

The ornamental design for, a hood for an automobile, as shown and described.

(51) **LOC (8) Cl.** **12-16**

DESCRIPTION

(52) **U.S. Cl.** **D12/173**

(58) **Field of Classification Search** D12/90–92,
D12/173, 196, 86; 180/69.21, 69.2, 69.22
See application file for complete search history.

FIG. 1 is a front elevation view of a hood for an automobile showing our new design;

FIG. 2 is a top plan view thereof;

FIG. 3 is a right side elevation view thereof, the left side elevation view is a mirror image of the right side elevation view; and,

FIG. 4 is a perspective view thereof.

The broken lines in the drawings are illustrative purposes only and form no part of the claimed design.

(56) **References Cited**

U.S. PATENT DOCUMENTS

- D387,315 S * 12/1997 Lagaay et al. D12/173
- D391,540 S * 3/1998 Horbury D12/173
- D483,711 S * 12/2003 Murkett D12/196
- D496,611 S * 9/2004 Kneefel et al. D12/173
- D510,551 S * 10/2005 Mays et al. D12/173

1 Claim, 4 Drawing Sheets

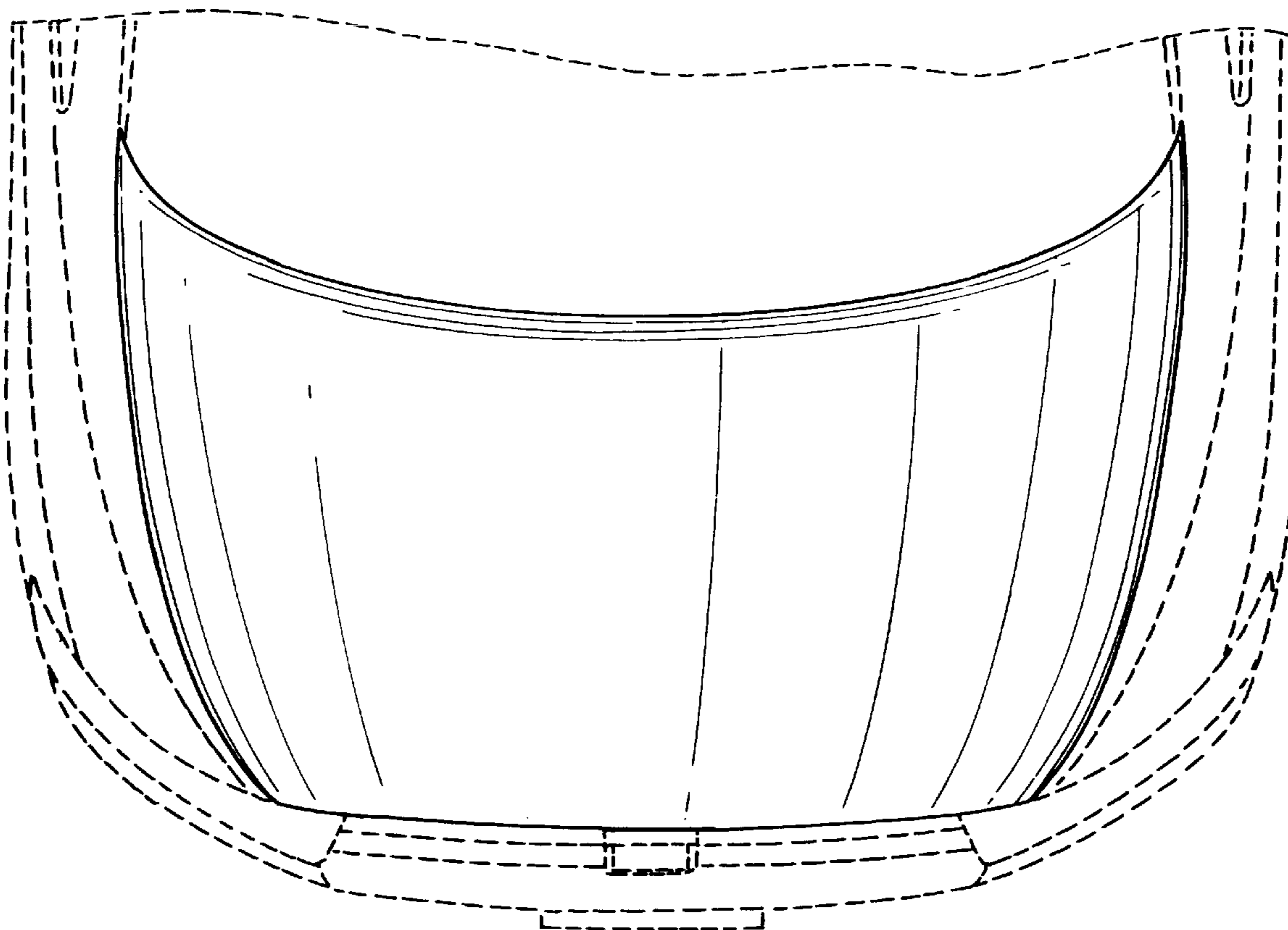


FIG. 1

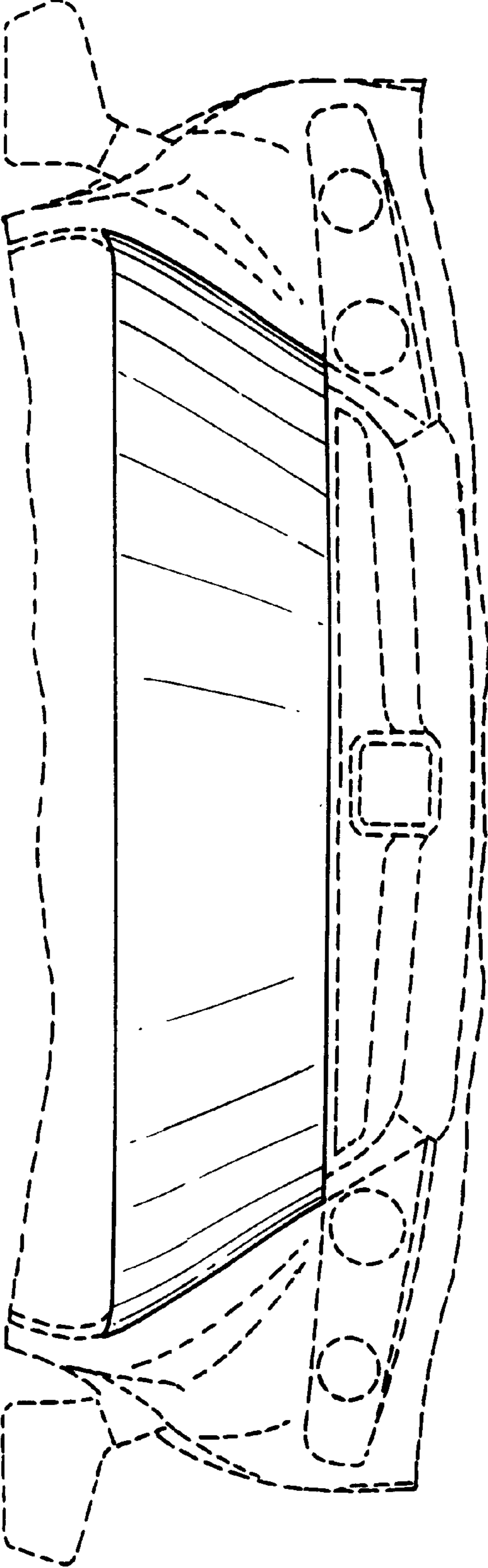


FIG. 2

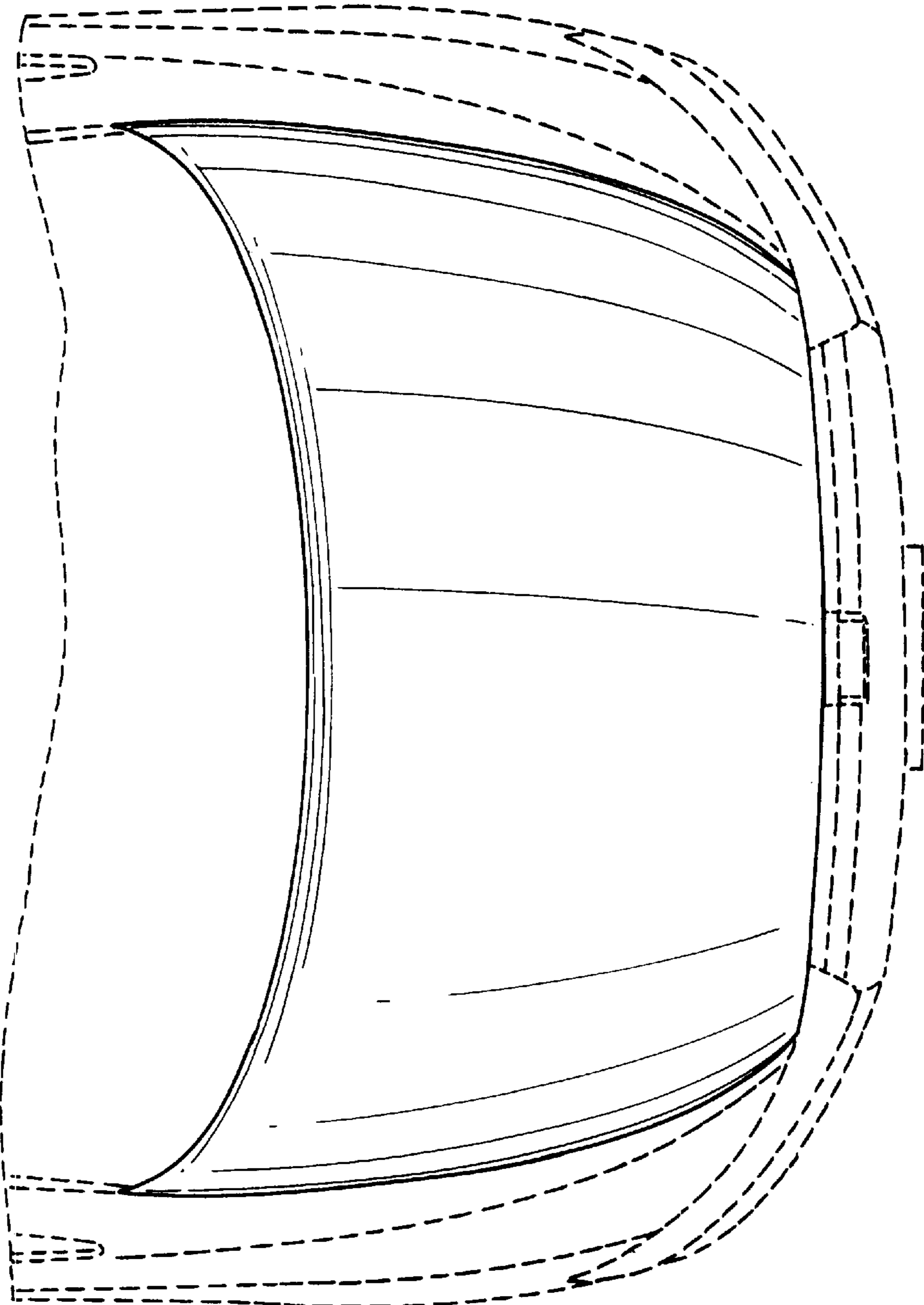


FIG. 3

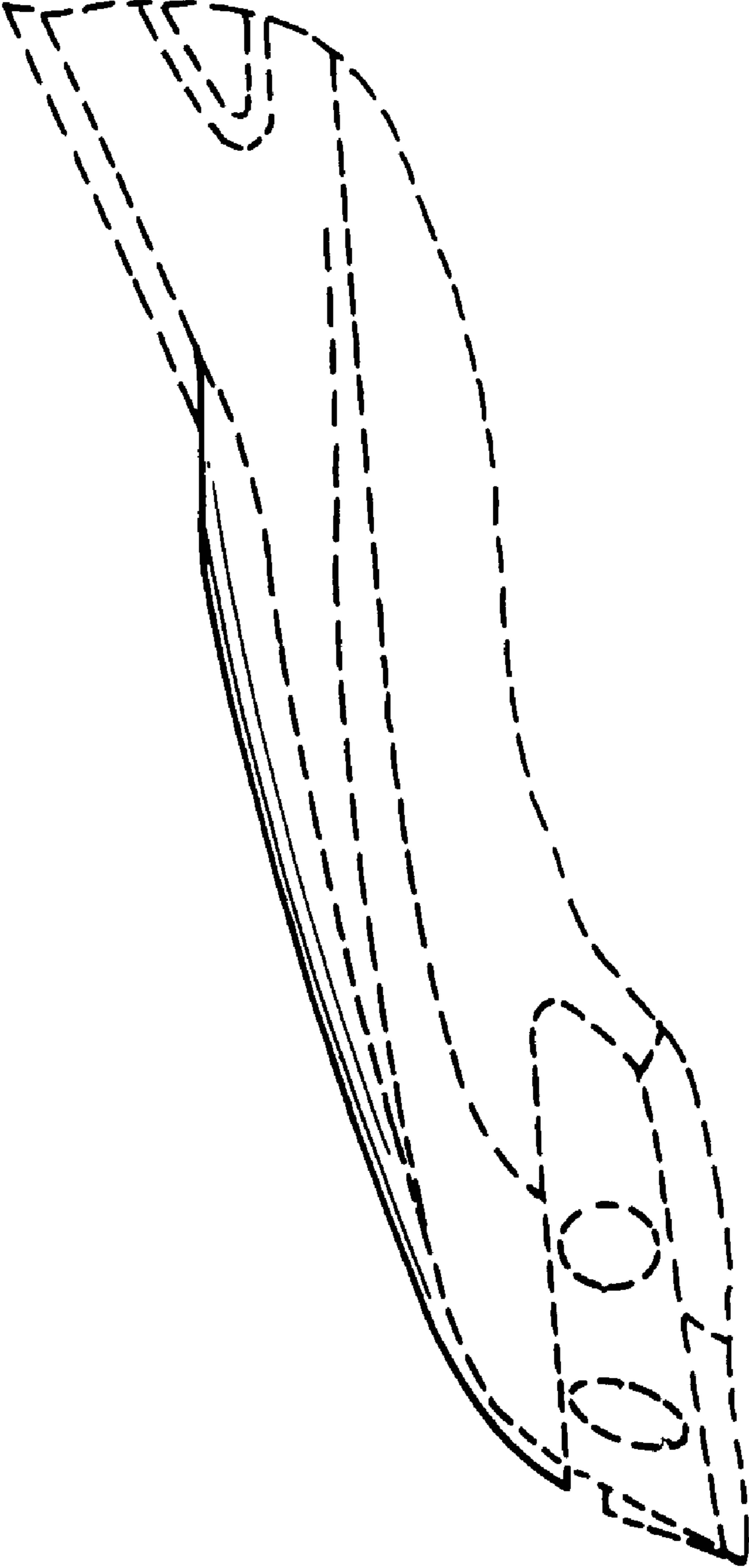


FIG. 4

