



US00D533117S

(12) **United States Design Patent**
Joseph

(10) **Patent No.:** **US D533,117 S**
(45) **Date of Patent:** **** Dec. 5, 2006**

(54) **MOTORCYCLE**

D469,039 S * 1/2003 Kuboshima et al. D12/110

(75) Inventor: **Abraham Joseph**, Maharashtra (IN)

* cited by examiner

(73) Assignee: **Bajaj Auto Limited**, Maharashtra (IN)

Primary Examiner—Alan P. Douglas

Assistant Examiner—Linda Brooks

(**) Term: **14 Years**

(74) *Attorney, Agent, or Firm*—The Webb Law Firm

(21) Appl. No.: **29/217,023**

(57) **CLAIM**

(22) Filed: **Nov. 10, 2004**

The ornamental design for a motorcycle, as shown.

(30) **Foreign Application Priority Data**

DESCRIPTION

May 12, 2004 (IN) 195530

FIG. 1 is a front perspective view of the right side of a motorcycle in accordance with the present invention; FIG. 2 is a front perspective view of the left side thereof; FIG. 3 is a rear perspective view of the right side thereof; FIG. 4 is rear perspective view of the left side thereof; FIG. 5 is a left side view thereof; FIG. 6 is a right side view thereof; FIG. 7 is a front view thereof; FIG. 8 is a rear view thereof; and, FIG. 9 is a top perspective view thereof.

(51) **LOC (8) Cl.** **12-11**

(52) **U.S. Cl.** **D12/110**

(58) **Field of Classification Search** D12/110;
180/219, 220, 225, 229
See application file for complete search history.

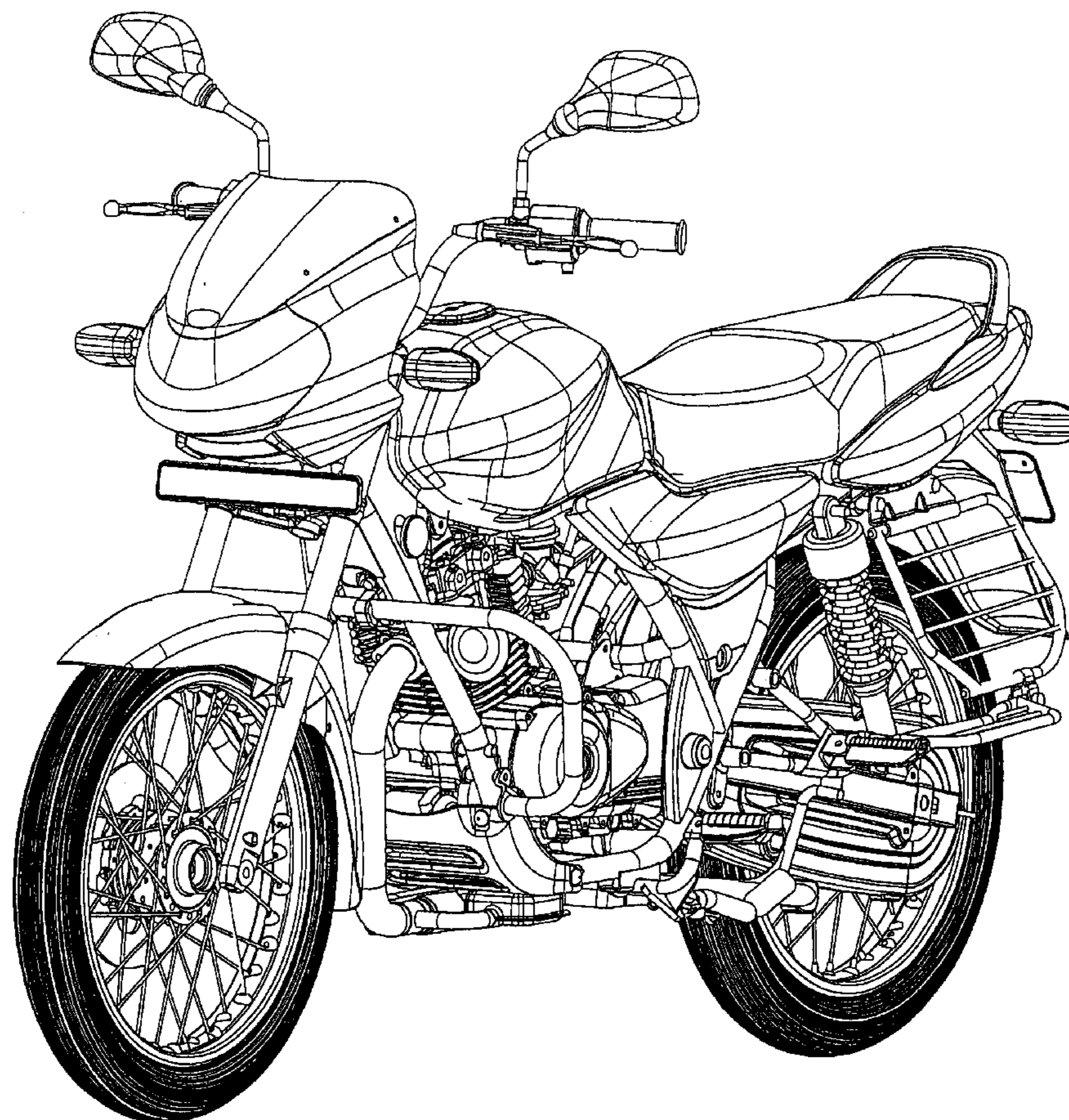
Applicant disclaims any logos or written matter which form no part of the claimed design.

(56) **References Cited**

U.S. PATENT DOCUMENTS

D383,096 S * 9/1997 Abe et al. D12/110

1 Claim, 9 Drawing Sheets



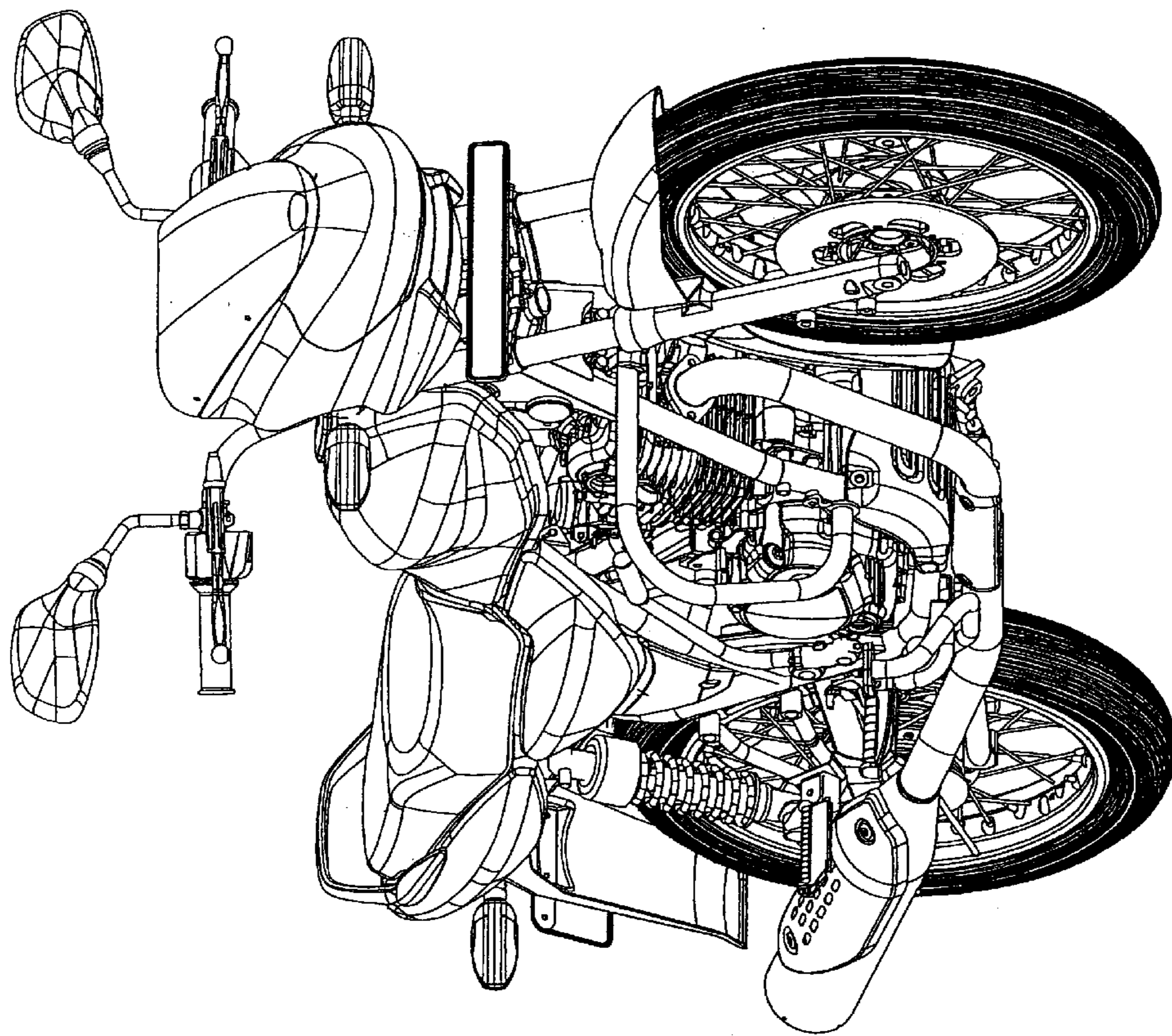


FIG. 1

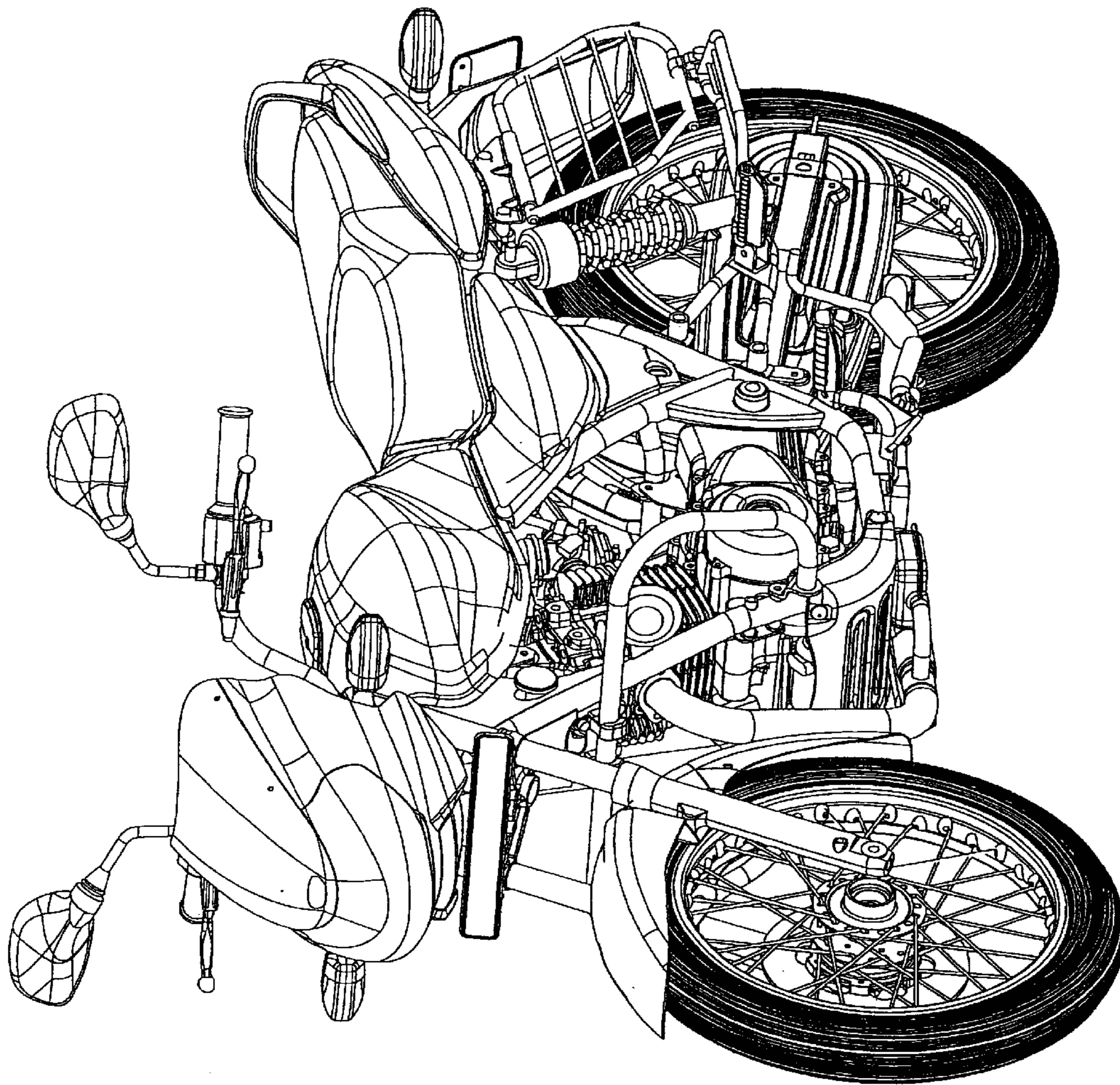


FIG. 2

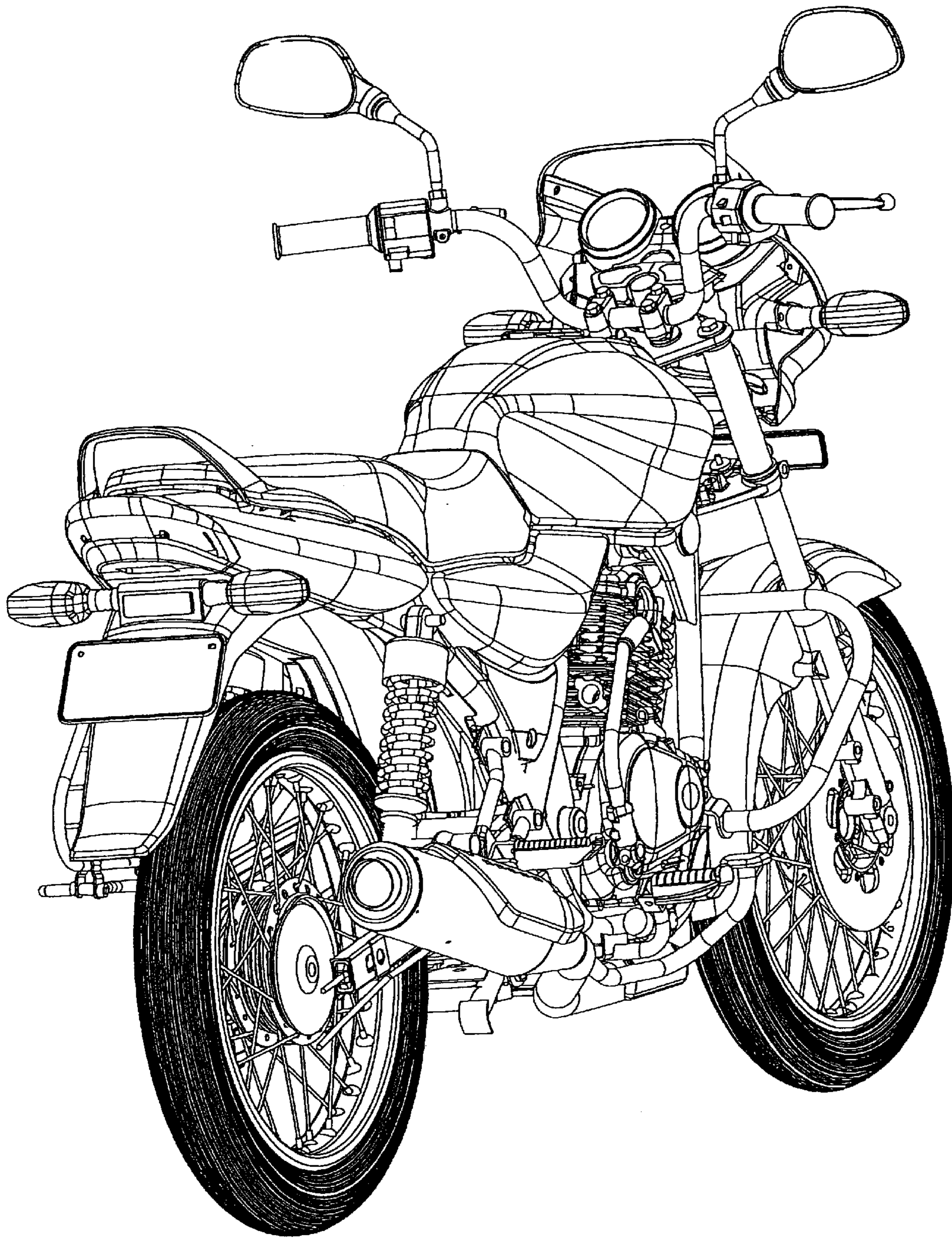


FIG. 3

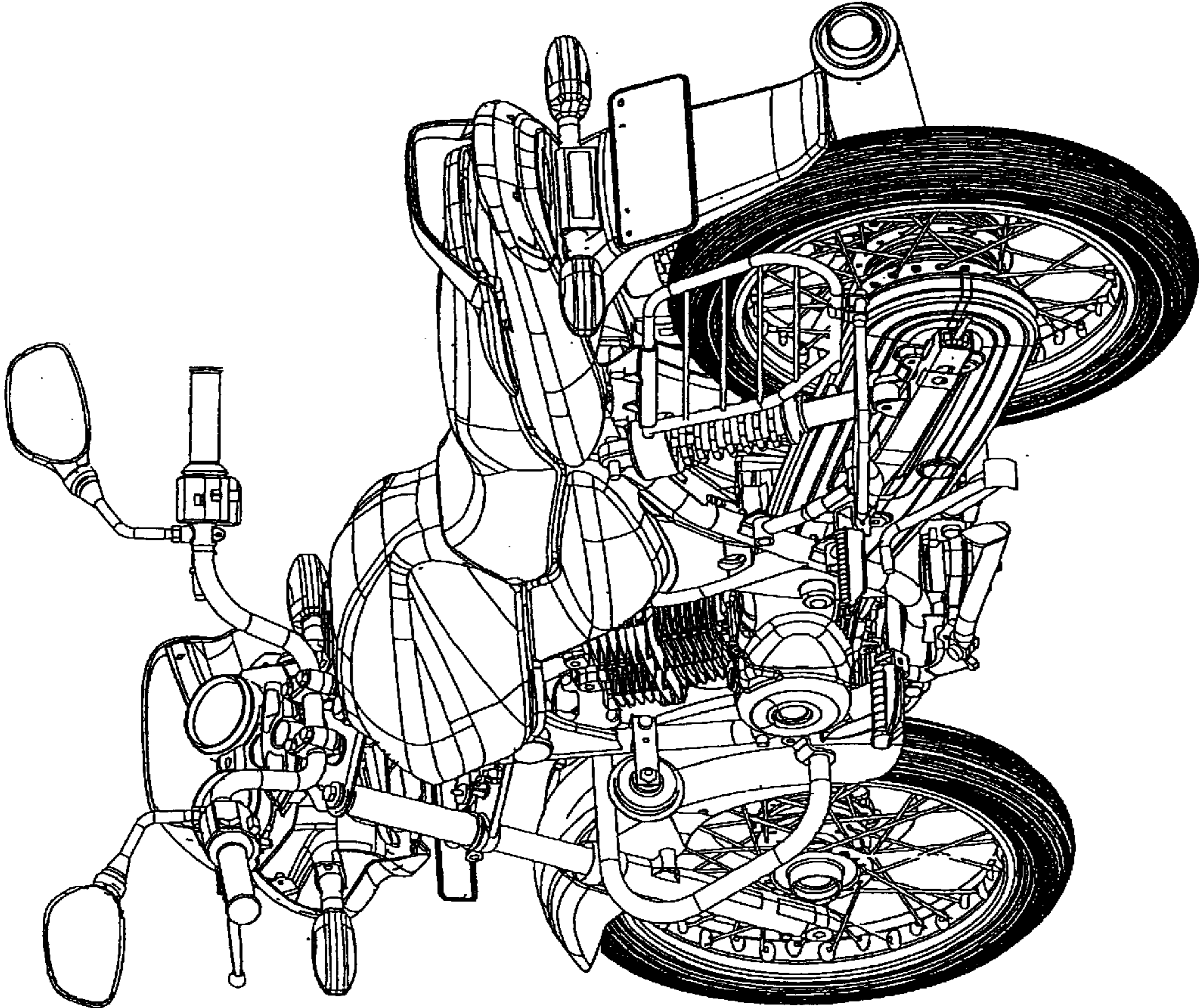


FIG. 4

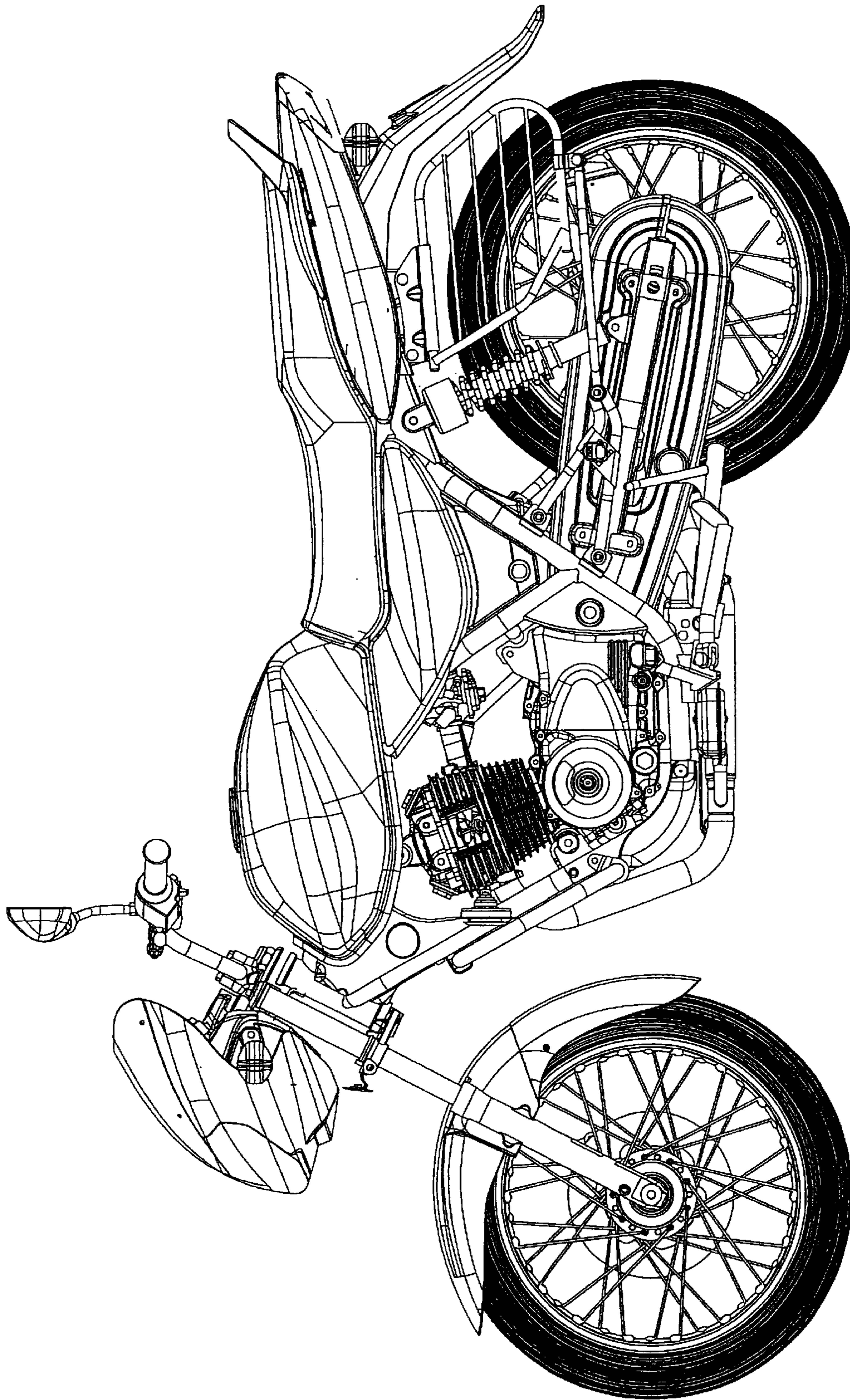


FIG. 5

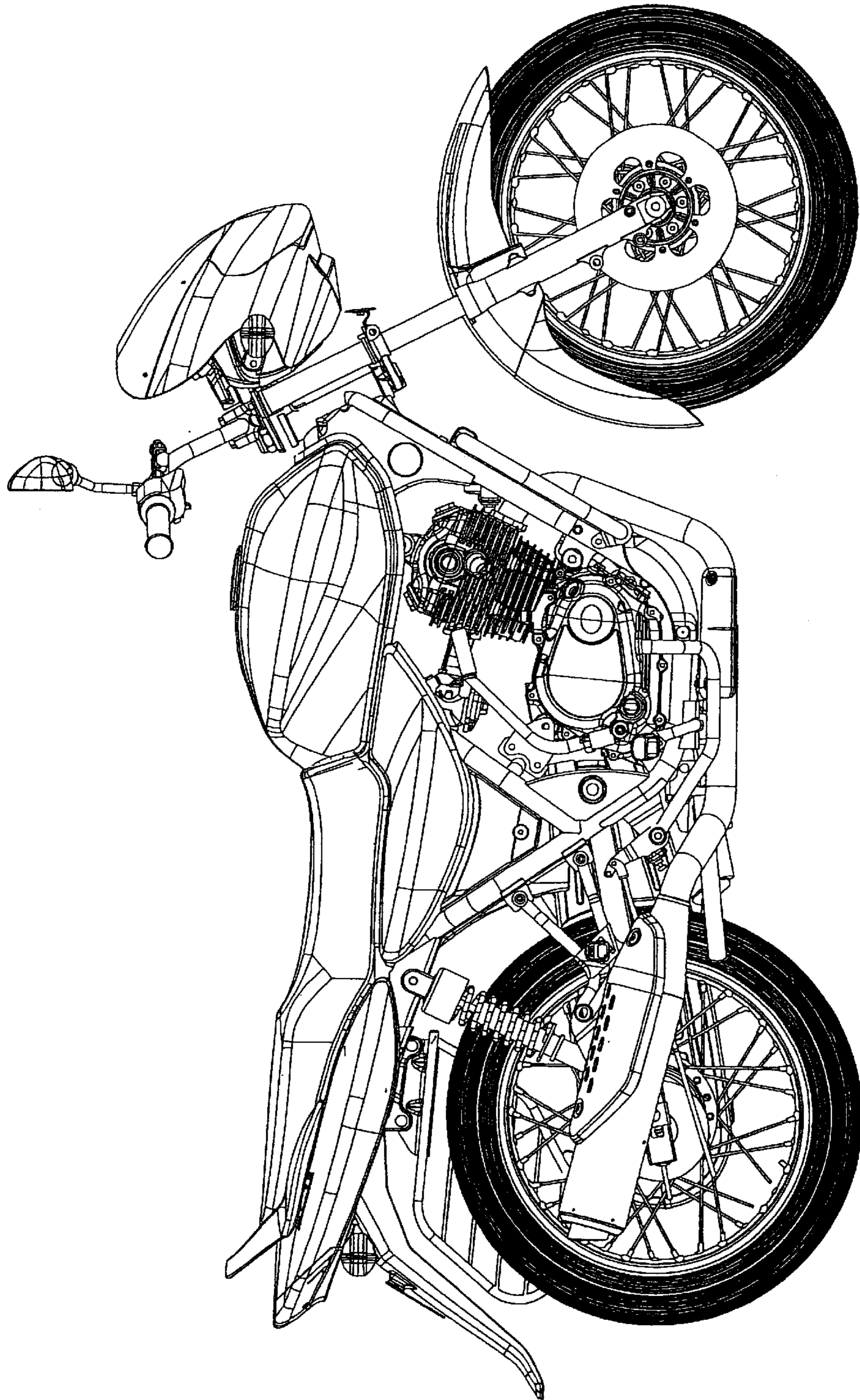


FIG. 6

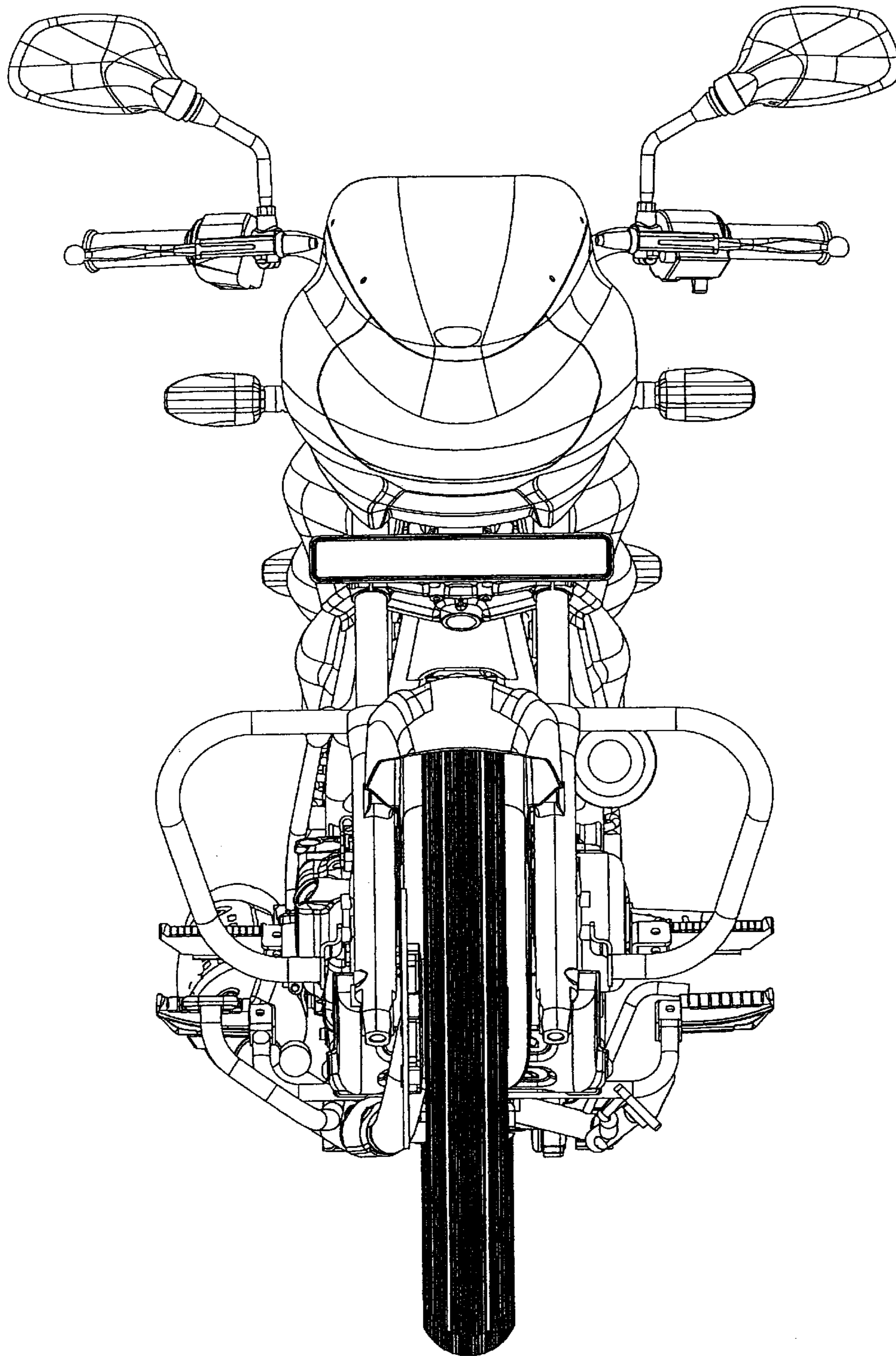


FIG. 7

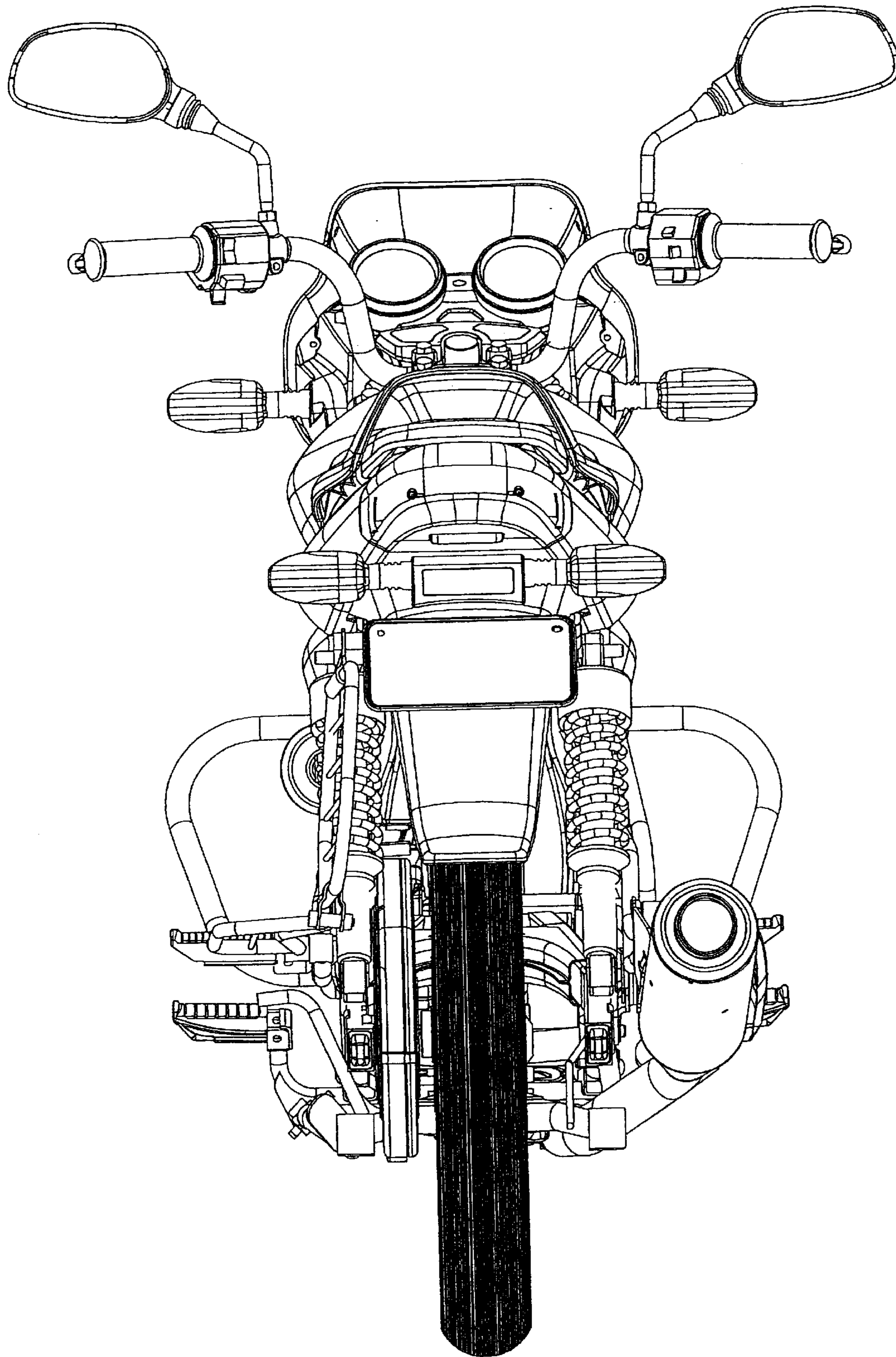


FIG. 8

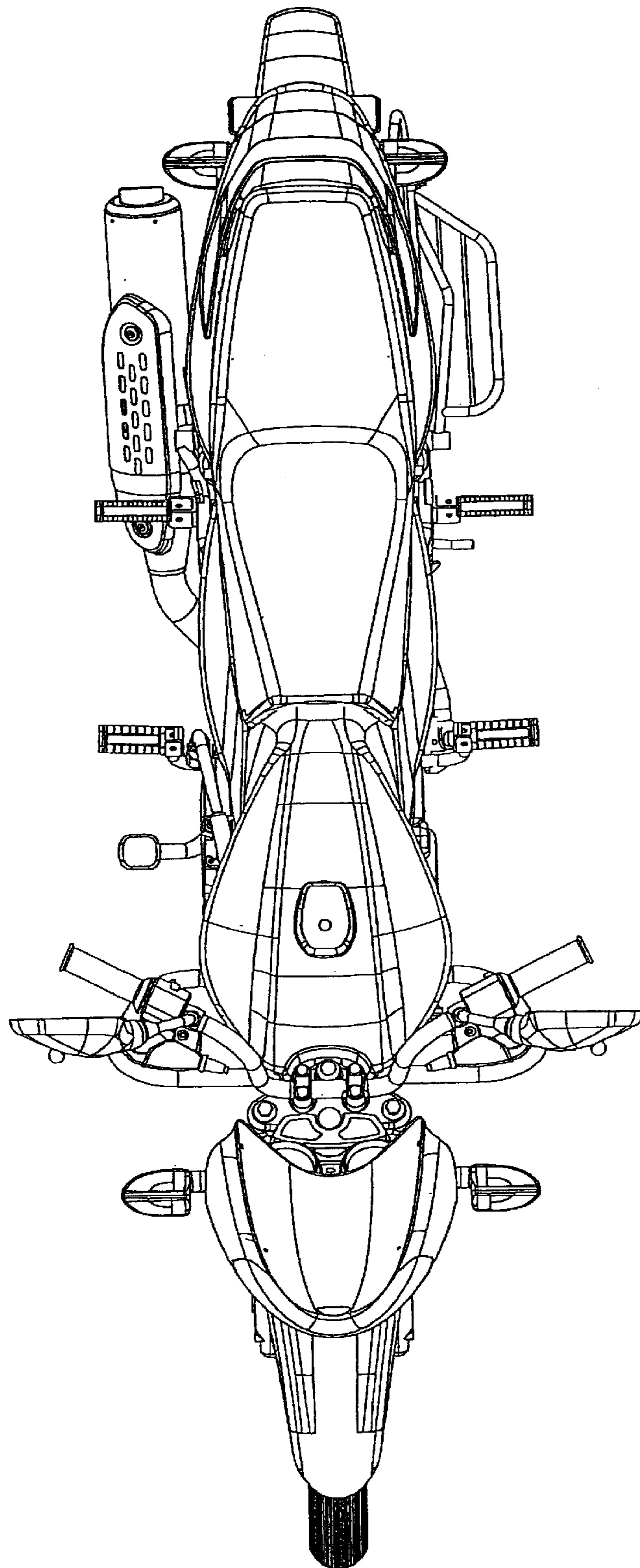


FIG. 9