



US00D533116S

(12) **United States Design Patent**
Sroufe et al.

(10) **Patent No.:** **US D533,116 S**
(45) **Date of Patent:** **** Dec. 5, 2006**

(54) **MOTORCYCLE FRAME**

(76) Inventors: **Darren Sroufe**, 525 S. Runnymede Ave., Evansville, Vanderburgh County, IN (US) 62242; **Eric D. Spencer**, 525 S. Runnymede Ave., Evansville, Vanderburgh County, IN (US) 62242

(**) **Term:** **14 Years**

(21) **Appl. No.:** **29/212,045**

(22) **Filed:** **Aug. 24, 2004**

(51) **LOC (8) Cl.** **12-11**

(52) **U.S. Cl.** **D12/110**

(58) **Field of Classification Search** D12/110,
D12/117; 180/219, 311, 312; 280/281.1,
280/288.1–288.3

See application file for complete search history.

(56) **References Cited**

U.S. PATENT DOCUMENTS

5,480,001 A * 1/1996 Hara 180/311

D425,453 S * 5/2000 Manescalchi D12/110
D480,664 S * 10/2003 James D12/110
D492,917 S * 7/2004 Pedersen D12/110
6,793,031 B1 * 9/2004 Greene 280/281.1

* cited by examiner

Primary Examiner—Alan P. Douglas

Assistant Examiner—Linda Brooks

(74) *Attorney, Agent, or Firm*—Gary K. Price, Esq.

(57) **CLAIM**

The ornamental design for a motorcycle frame, as shown and described.

DESCRIPTION

FIG. 1 is a side view of a motorcycle frame showing our new design.

FIG. 2 is a top view thereof; and,

FIG. 3 is a front view thereof.

1 Claim, 3 Drawing Sheets

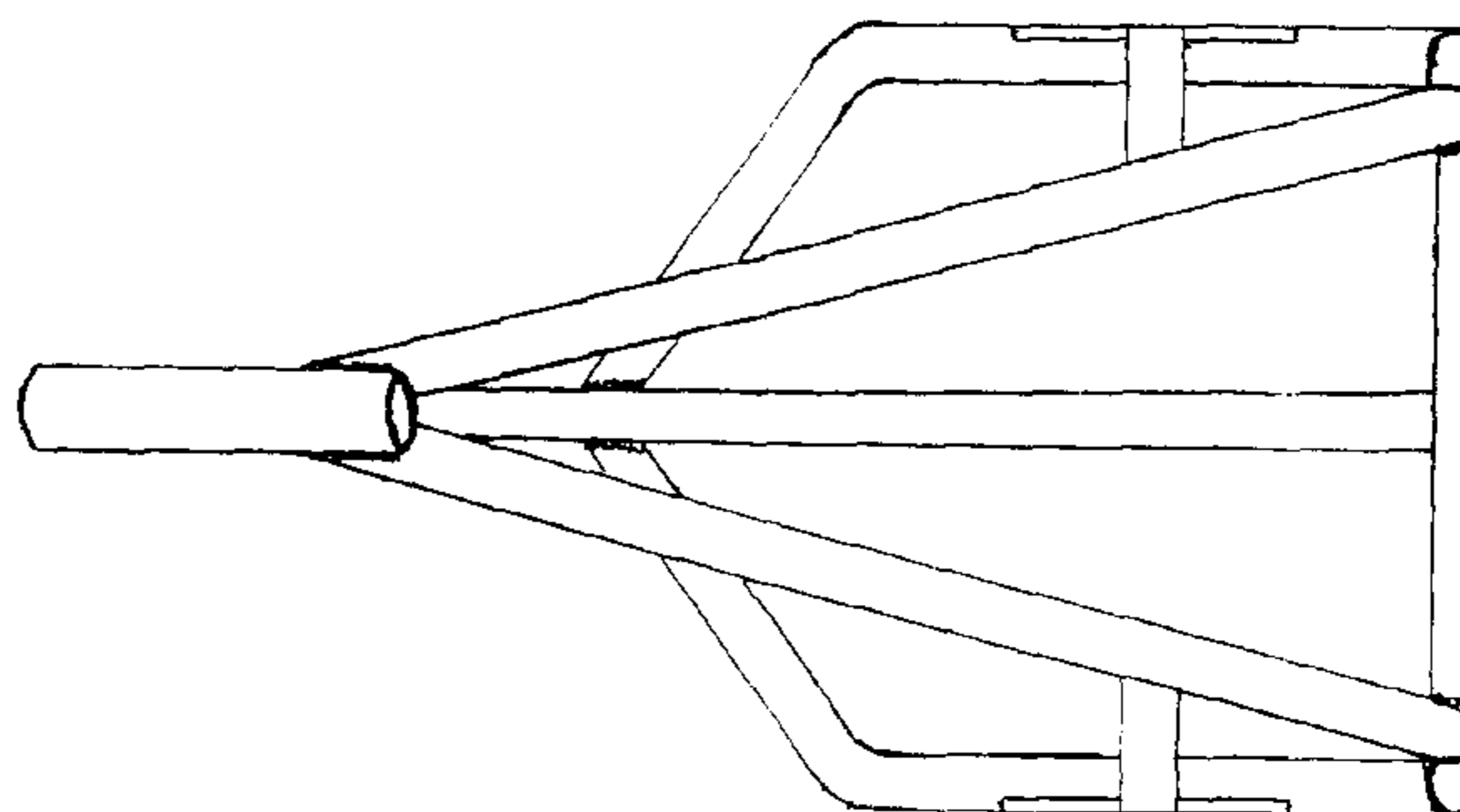
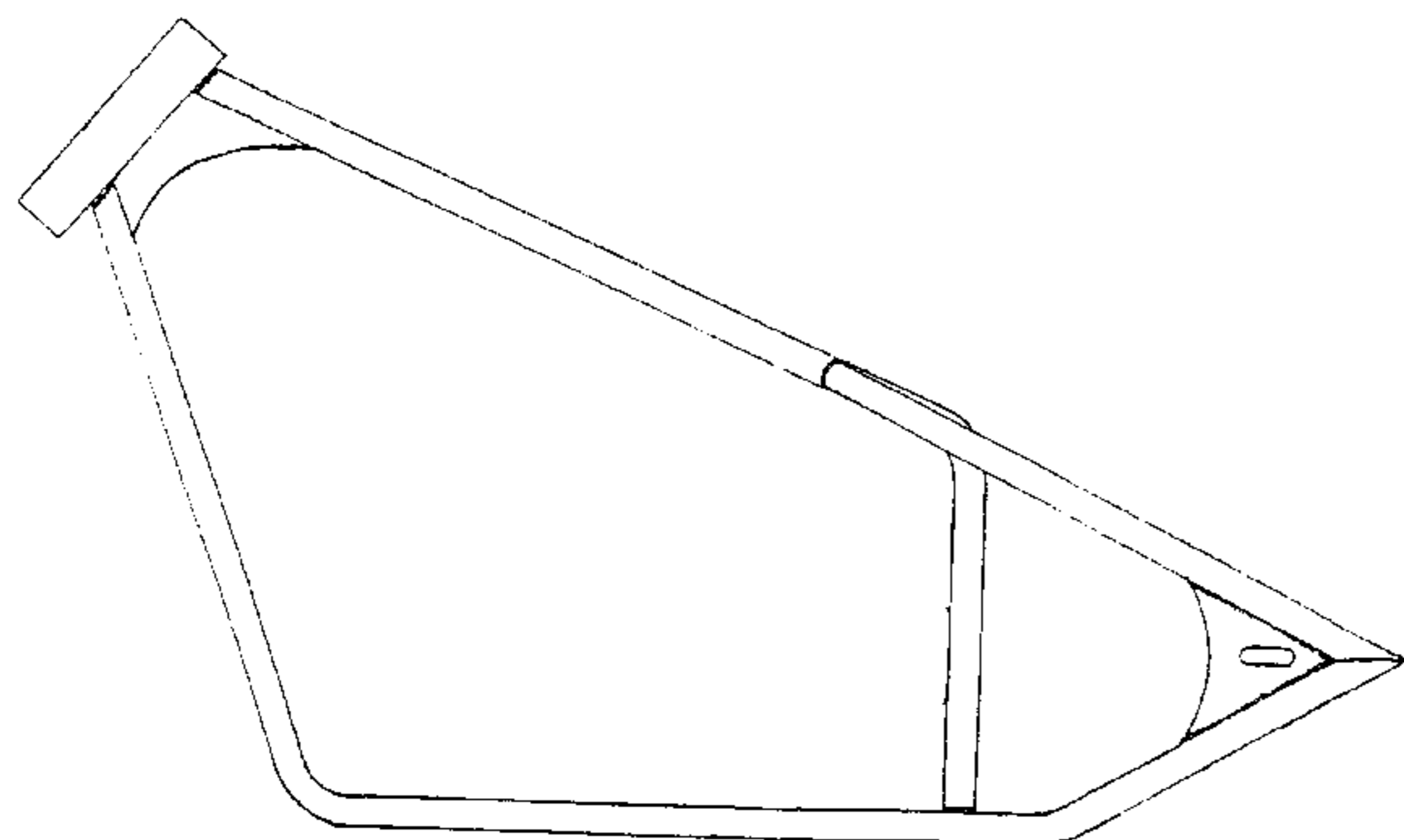


FIG. 1

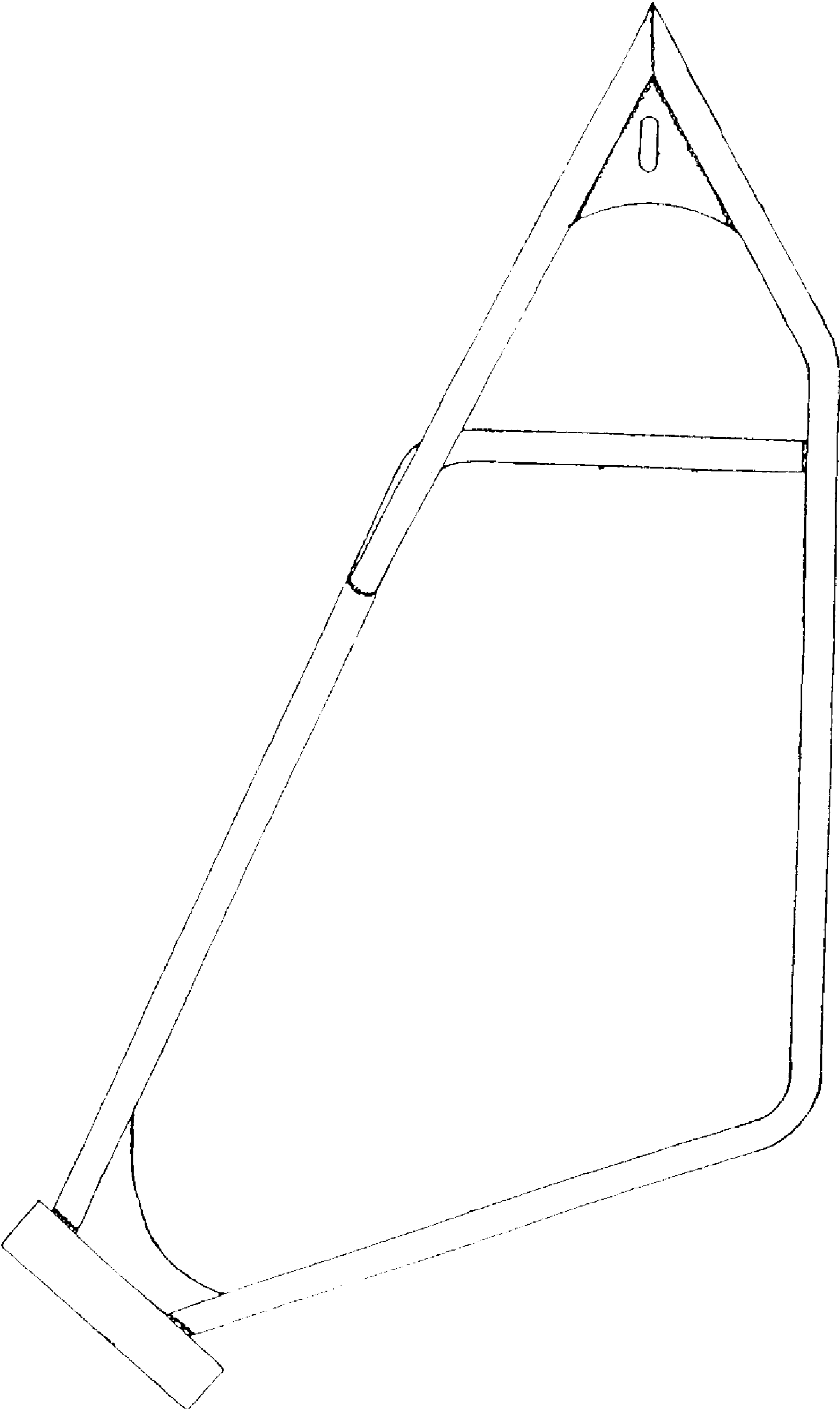


FIG. 2

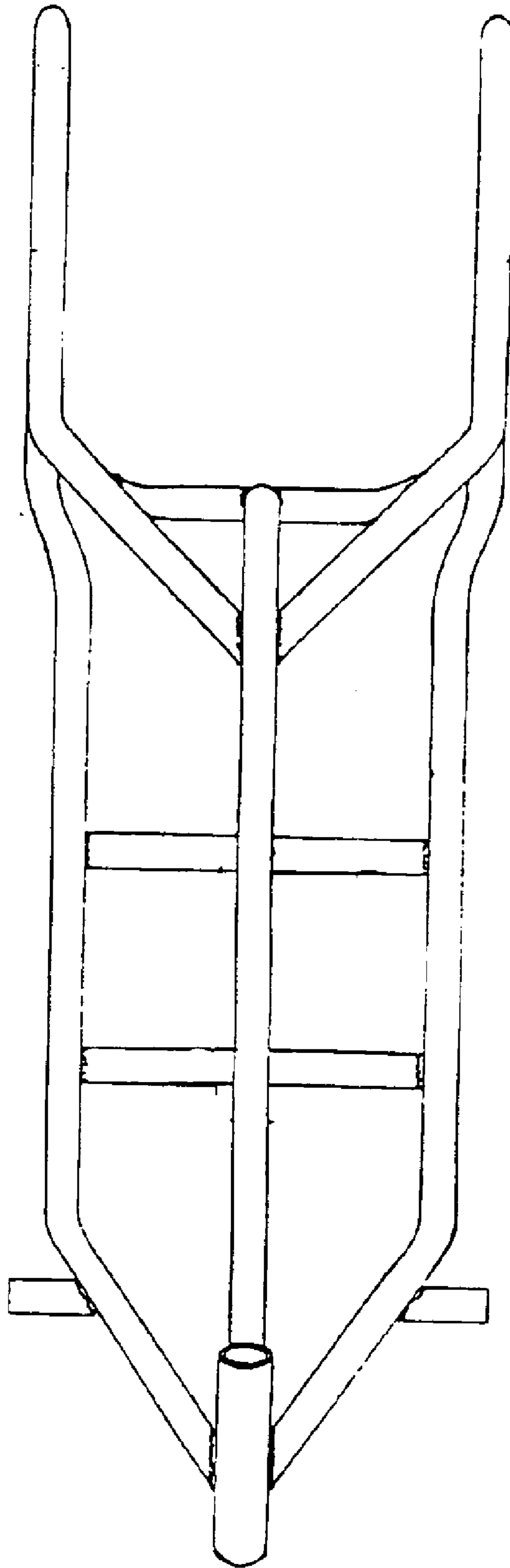


FIG. 3

