



US00D533107S

(12) **United States Design Patent** (10) **Patent No.:** **US D533,107 S**
King (45) **Date of Patent:** **** Dec. 5, 2006**

(54) **PLANT SUPPORT**

(75) Inventor: **Adrian Roy King**, Pollocks Hill (GB)

(73) Assignee: **Kingcraft Limited**, Luton (GB)

(**) Term: **14 Years**

(21) Appl. No.: **29/199,269**

(22) Filed: **Feb. 12, 2004**

(30) **Foreign Application Priority Data**

Aug. 28, 2003 (GB) 3014197

(51) **LOC (8) Cl.** **11-02**

(52) **U.S. Cl.** **D11/152**

(58) **Field of Classification Search** D11/143,
D11/144, 152, 164; D6/329, 403-405, 417,
D6/537, 548, 552, 556, 558; D7/300.2, 396.6,
D7/619.1, 620; D8/16, 366, 367, 370; 47/32.4,
47/32.7, 39, 41.01, 41.14, 44-47, 67, 70;
108/62; 211/60.1, 85.23, 85.31, 125, 171,
211/196; 248/27.8, 87, 121, 125.8, 153, 156,
248/175, 302-304, 318, 339, 530; 428/8,
428/9

See application file for complete search history.

(56) **References Cited**

U.S. PATENT DOCUMENTS

664,837 A * 1/1901 Davis 47/32.4
763,594 A * 6/1904 Chubb 248/87
2,173,217 A * 9/1939 Hans 47/47
2,506,321 A * 5/1950 Vosburgh 248/153
2,520,818 A * 8/1950 Terry 248/153
2,937,761 A * 5/1960 Reed D6/417
5,127,184 A * 7/1992 Cosentino 47/41.01
5,174,060 A * 12/1992 Glamos 47/45
5,336,536 A * 8/1994 Oberzan 428/8

D375,229 S * 11/1996 DiBella D7/619.1
D378,287 S * 3/1997 Alligood D11/143
6,048,590 A * 4/2000 Phillips 428/9
D458,799 S * 6/2002 Andujar D7/396.6
D487,862 S * 3/2004 Tincher D7/620
6,922,943 B1 * 8/2005 Paille et al. 47/47
2001/0025825 A1 * 10/2001 Therber 211/196
2004/0025425 A1 * 2/2004 Ramirez 47/41.01

FOREIGN PATENT DOCUMENTS

GB 462798 3/1937
GB 933282 8/1963
GB 2093637 7/2001

OTHER PUBLICATIONS

U.K. Pat. Appn. 1,029,525 May 11, 1966.
U.K. Pat. Appn. 1,589,868 May 20, 1981.
U.K. Pat. Appn. 2,310,581 Sep. 3, 1997.
U.K. Pat. Appn. 2,338,162 Dec. 15, 1999.
U.K. Pat. Appn. 2,363,694 Jan. 9, 2002.

* cited by examiner

Primary Examiner—Robert M. Spear
Assistant Examiner—Garth Rademaker
(74) *Attorney, Agent, or Firm*—William D. Hall

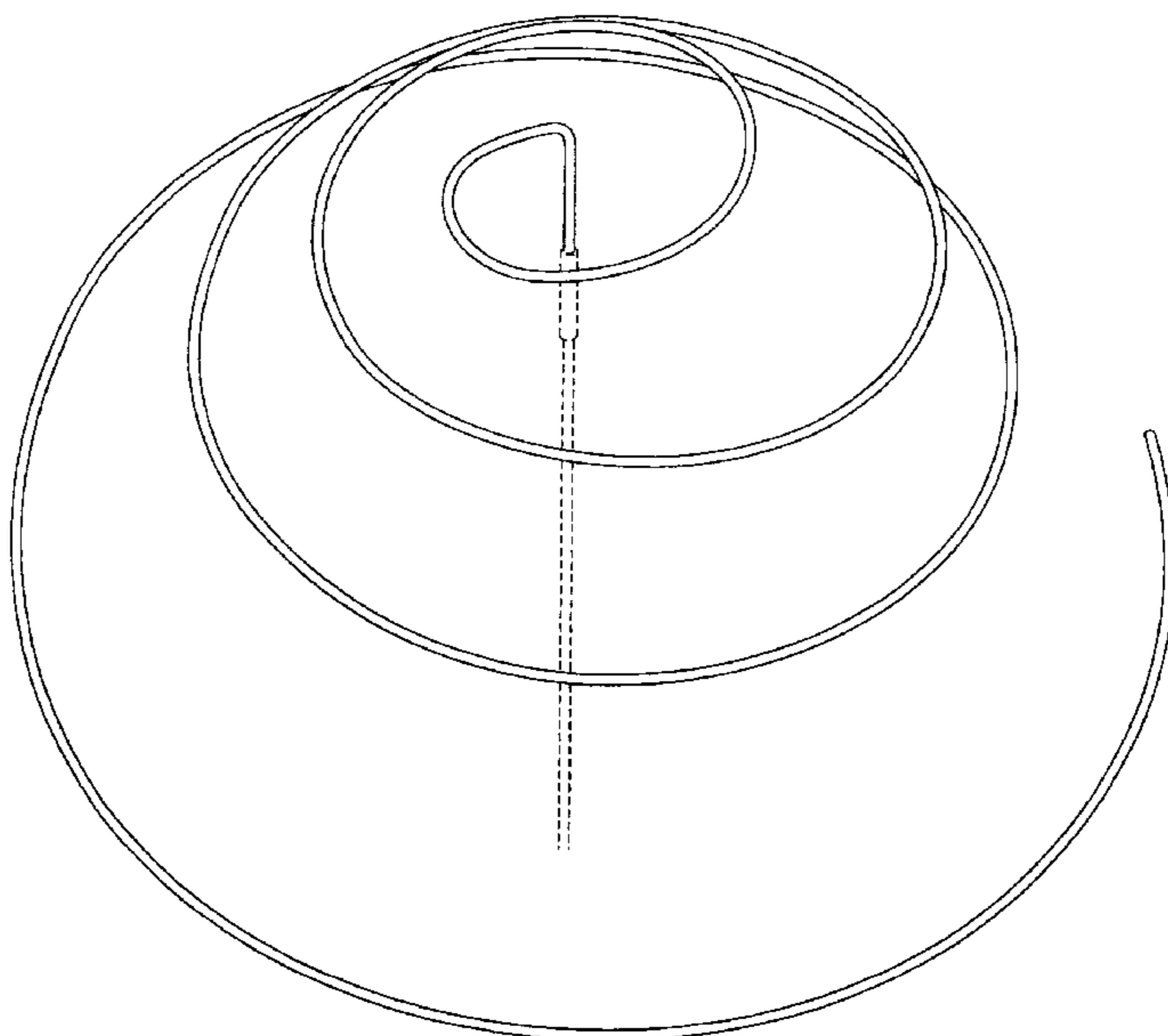
(57) **CLAIM**

The ornamental design for a plant support, as shown and described.

DESCRIPTION

FIG. 1 is an underneath perspective view of the plant support of my new design; and, FIG. 2 is a top perspective view of that plant support. The broken lines are for illustrative purposes only and form no part of the claimed design.

1 Claim, 2 Drawing Sheets



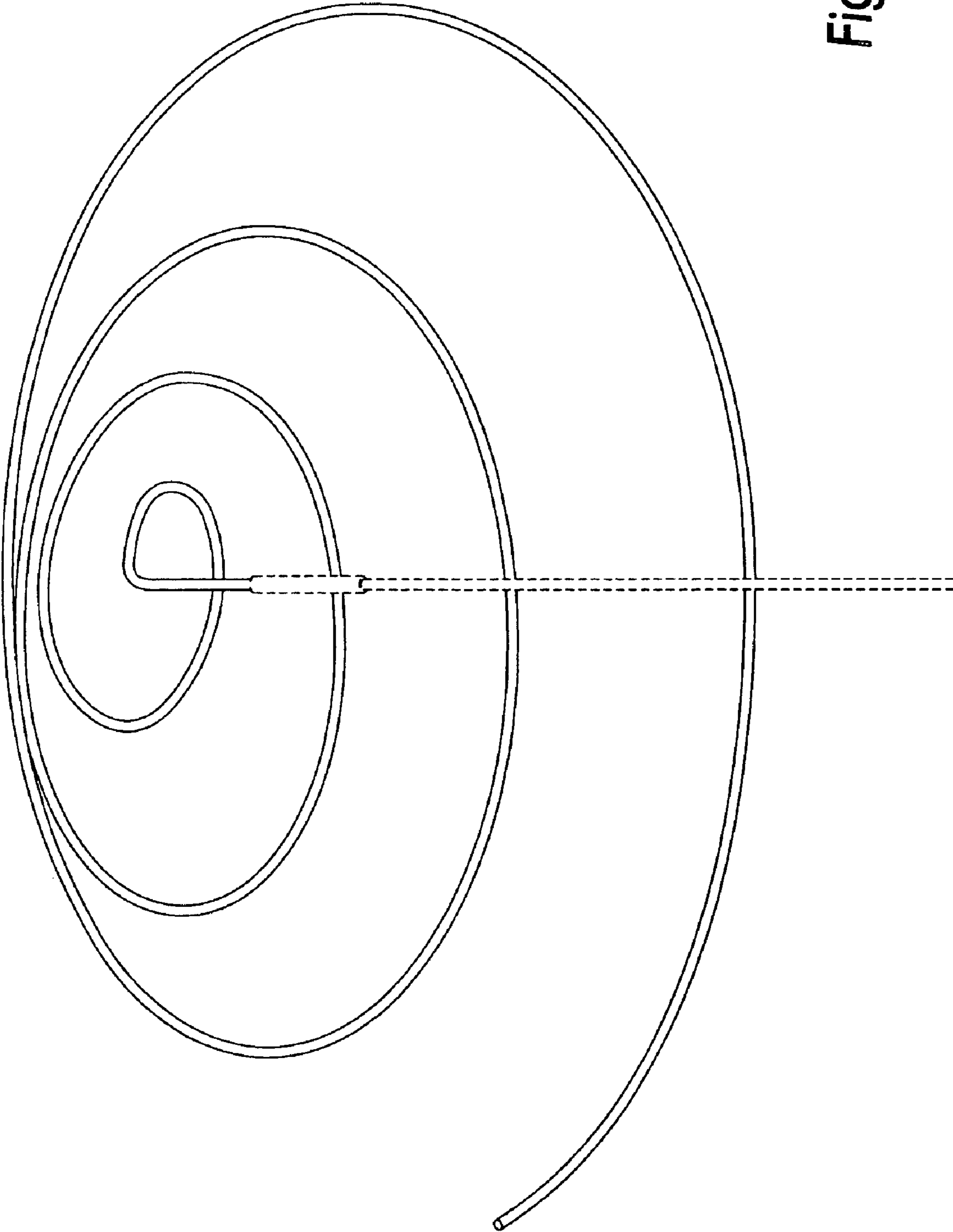


Fig. 1

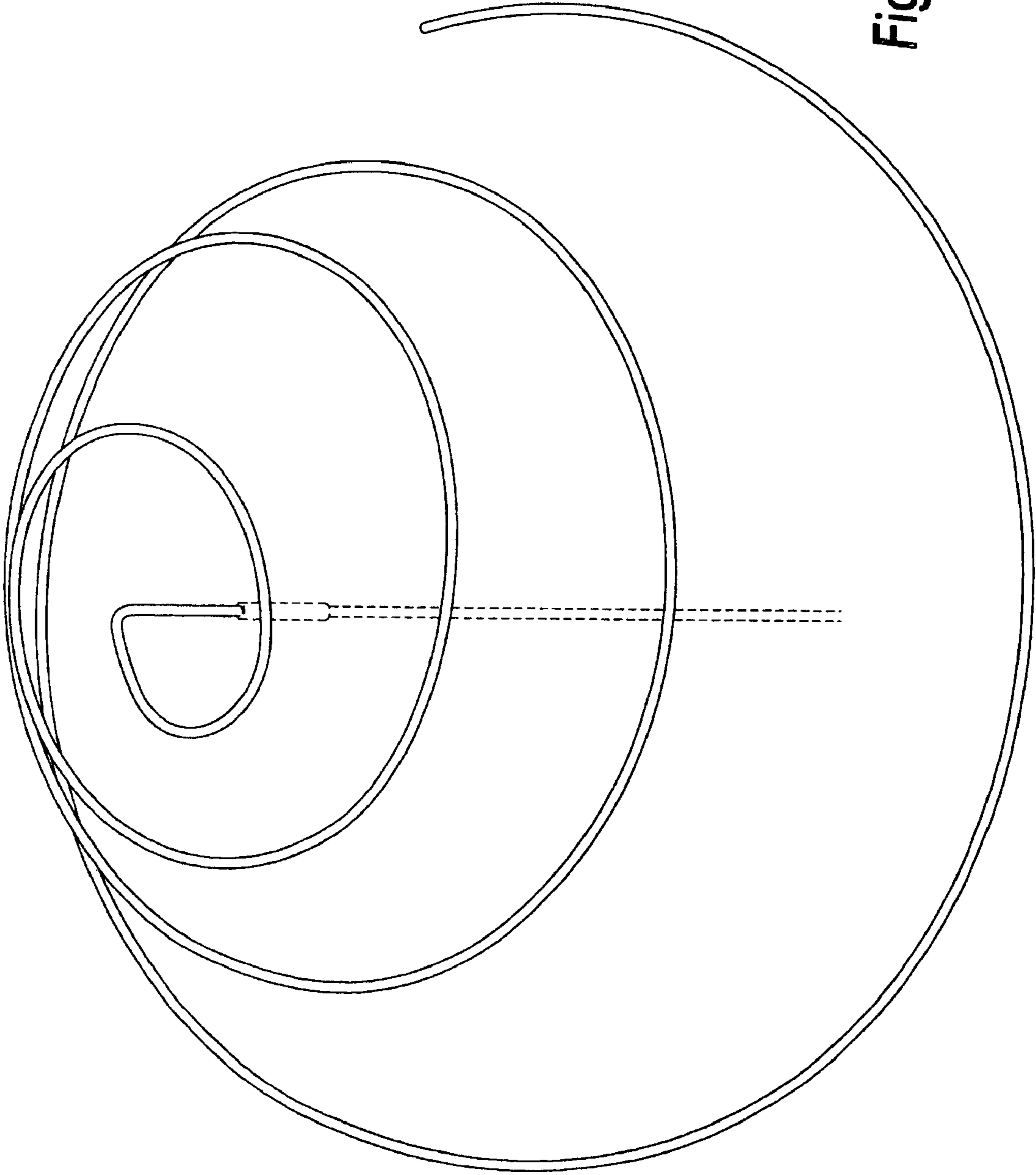


Fig. 2