



US00D533095S

(12) **United States Design Patent**
Kaushal et al.

(10) **Patent No.:** **US D533,095 S**

(45) **Date of Patent:** **** Dec. 5, 2006**

(54) **HANDHELD DIAGNOSTIC INSTRUMENT**

(75) Inventors: **Ashwani Kaushal**, Mississauga (CA);
Duncan MacIntyre, Campbellville
(CA)

(73) Assignee: **NIR Diagnostics Inc.**, Campbellville
(CA)

(**) Term: **14 Years**

(21) Appl. No.: **29/223,506**

(22) Filed: **Feb. 15, 2005**

(51) **LOC (8) Cl.** **10-04**

(52) **U.S. Cl.** **D10/78; D10/81**

(58) **Field of Classification Search** D10/78,
D10/81; 356/128-137, 243.1, 146, 300
See application file for complete search history.

(56) **References Cited**

U.S. PATENT DOCUMENTS

D361,288 S * 8/1995 Chandwick et al. D10/78

D449,549 S * 10/2001 Hoelbl D10/81
D499,805 S * 12/2004 D'Agostino D10/81
D512,333 S * 12/2005 Blacken et al. D10/78

* cited by examiner

Primary Examiner—Antoine D. Davis

(74) *Attorney, Agent, or Firm*—Hovey Williams LLP

(57) **CLAIM**

The ornamental design for a handheld diagnostic instrument,
as shown and described.

DESCRIPTION

FIG. 1 is a perspective view of the handheld diagnostic
instrument;

FIG. 2 is a left side elevational view thereof;

FIG. 3 is a right side elevational view thereof;

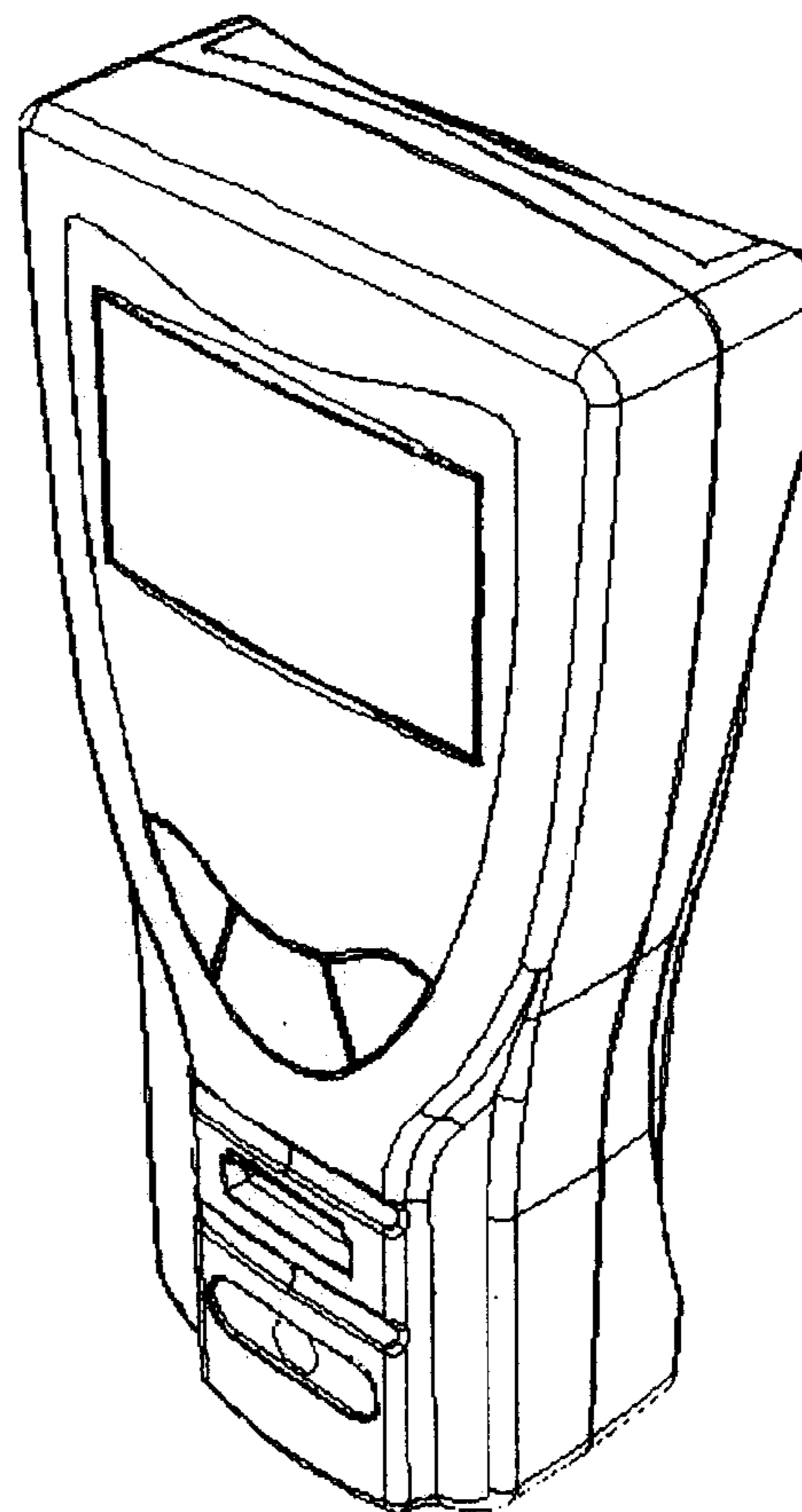
FIG. 4 is a top plan view thereof;

FIG. 5 is a front elevational view thereof;

FIG. 6 is a rear elevational view thereof; and,

FIG. 7 is a bottom elevational view thereof.

1 Claim, 7 Drawing Sheets



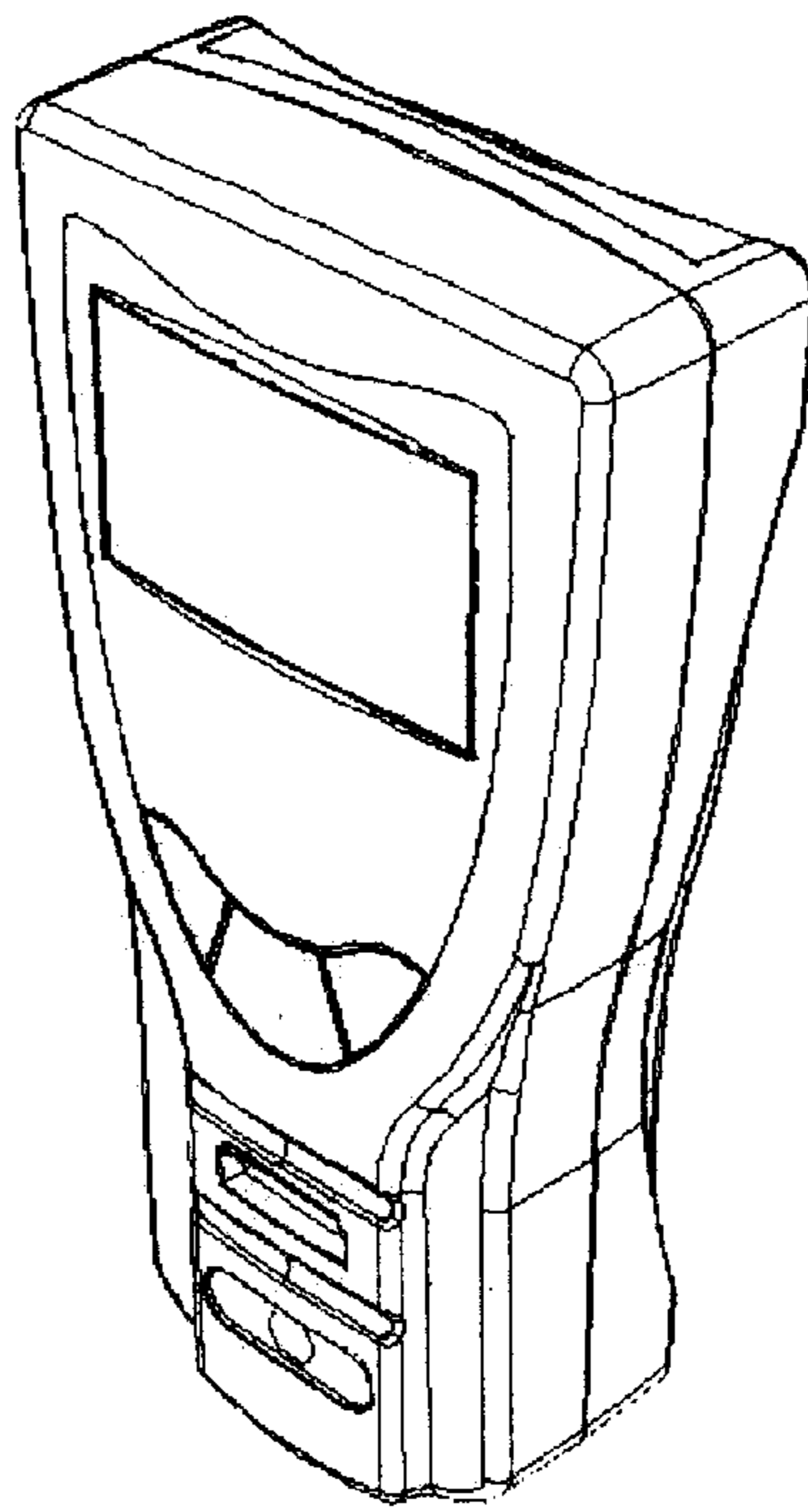


FIGURE 1

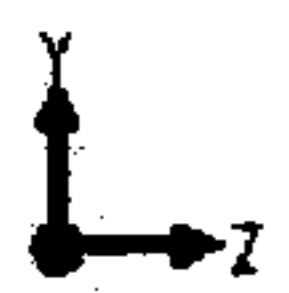


FIGURE 2

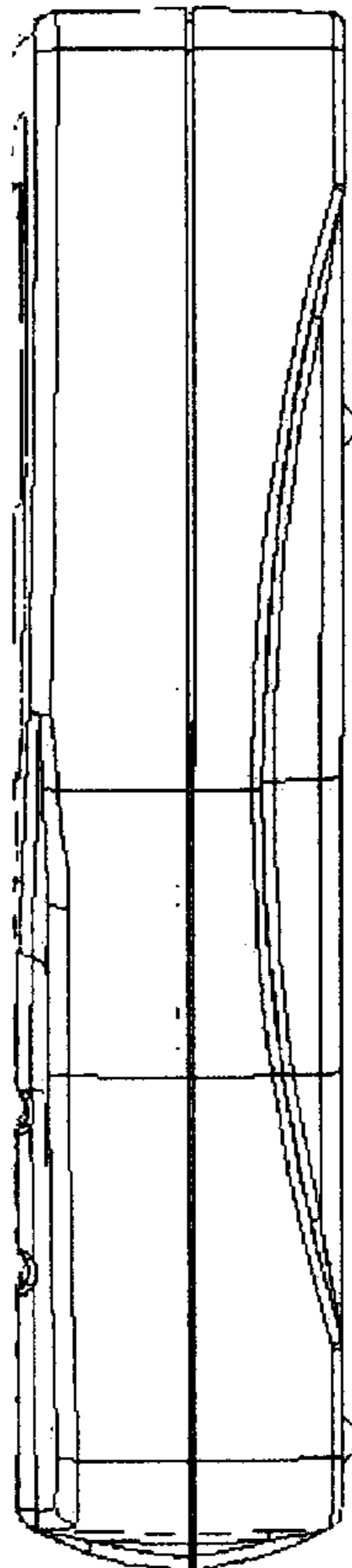


FIGURE 3

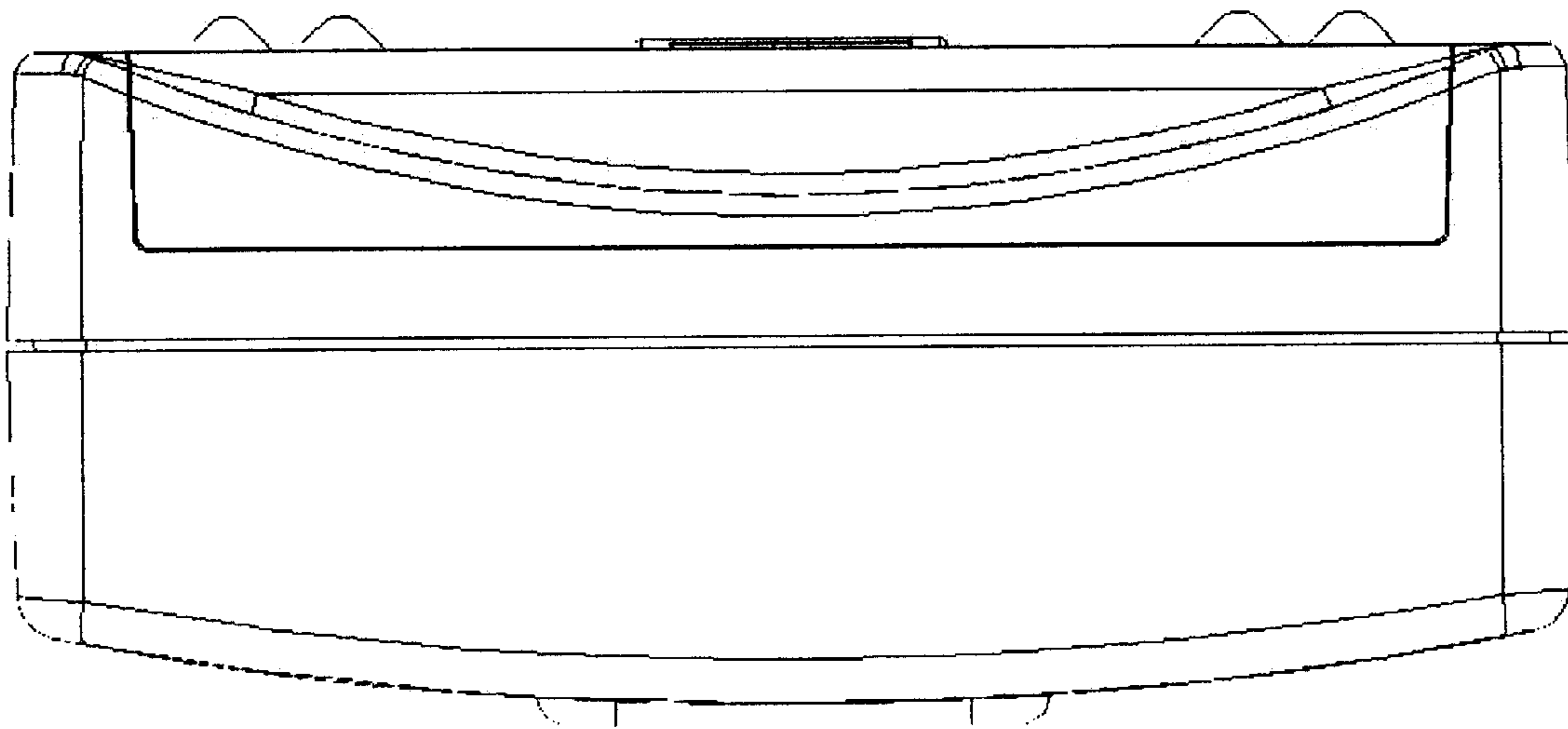


FIGURE 4

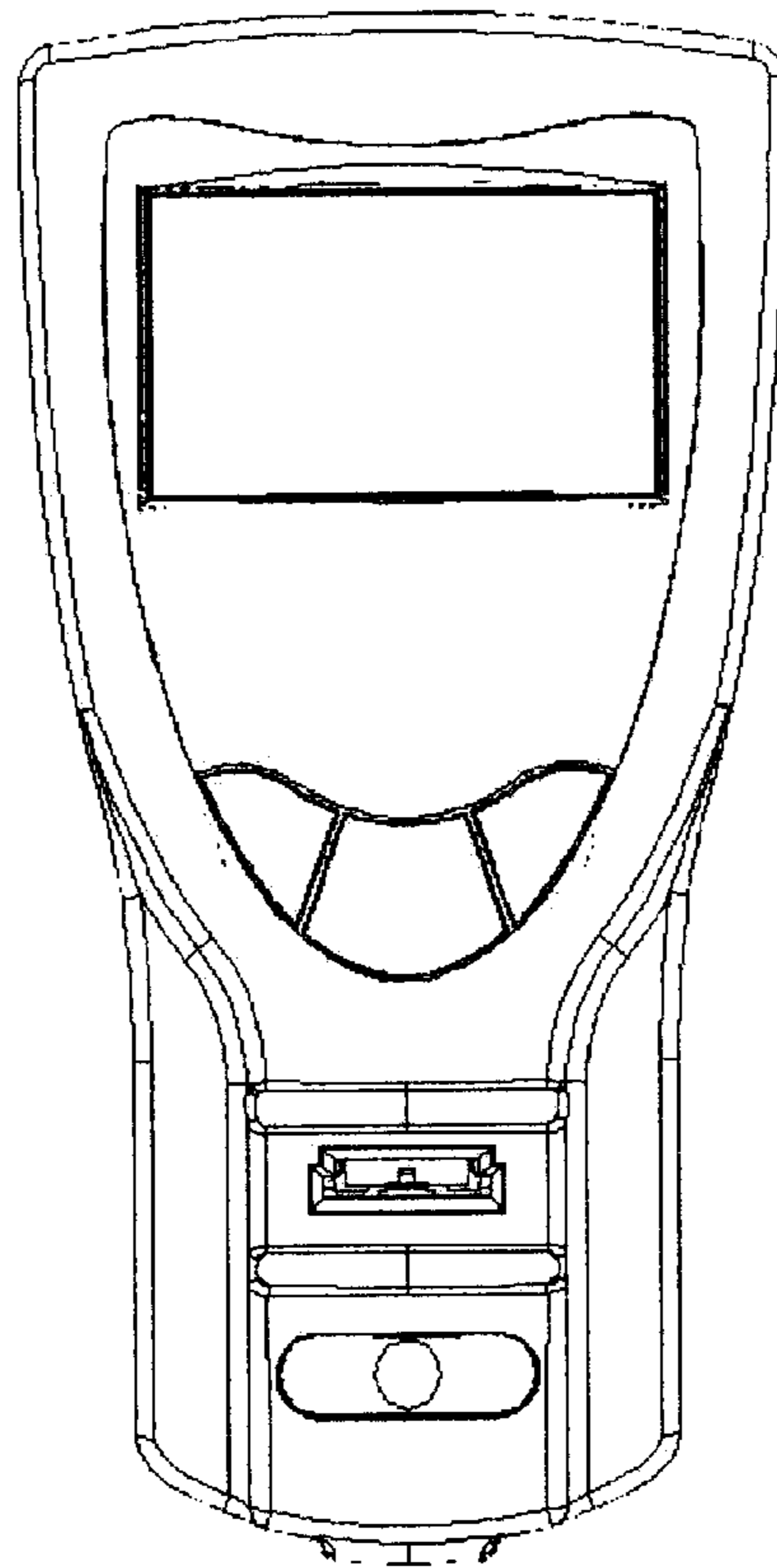


FIGURE 5

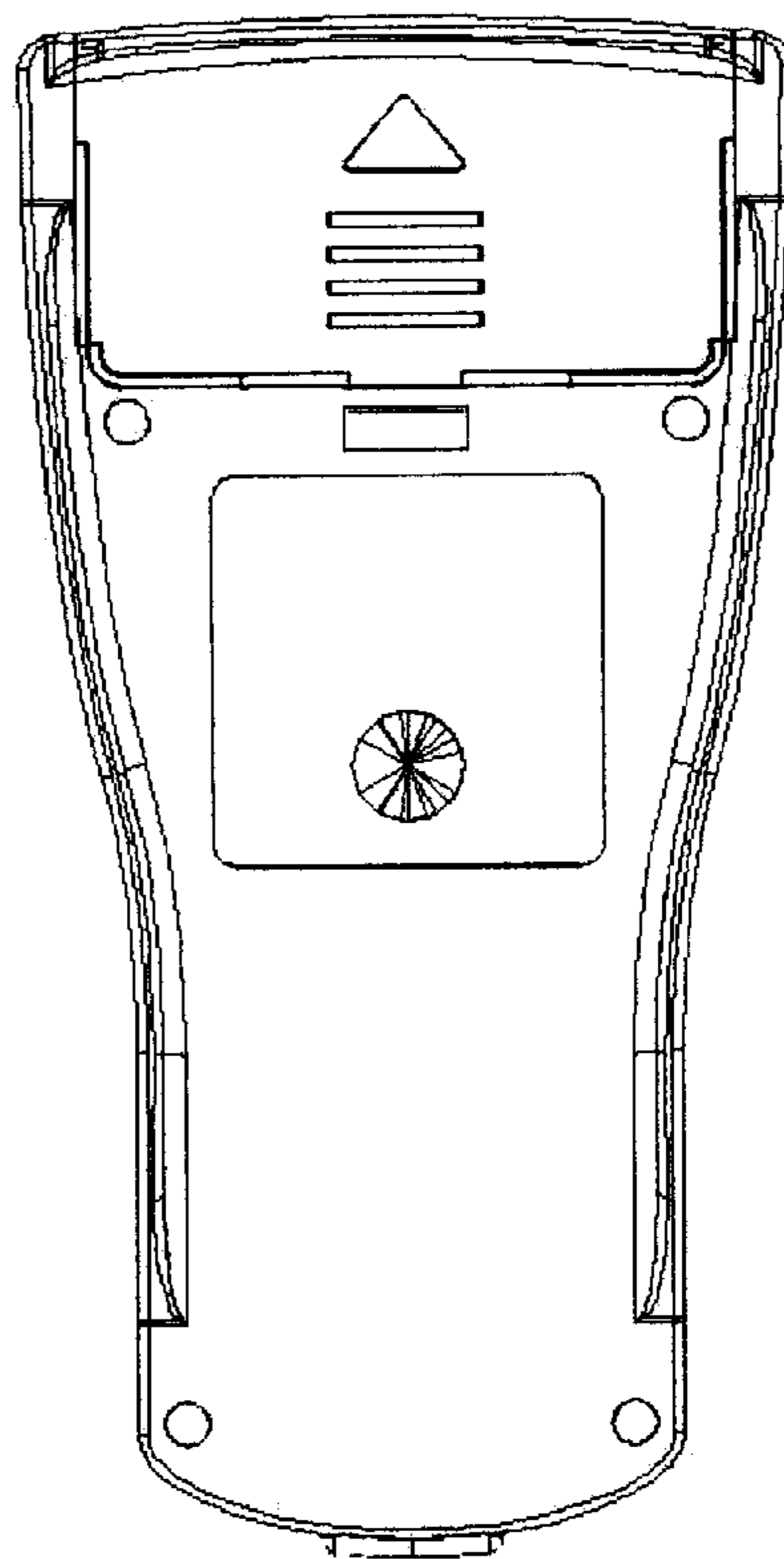


FIGURE 6

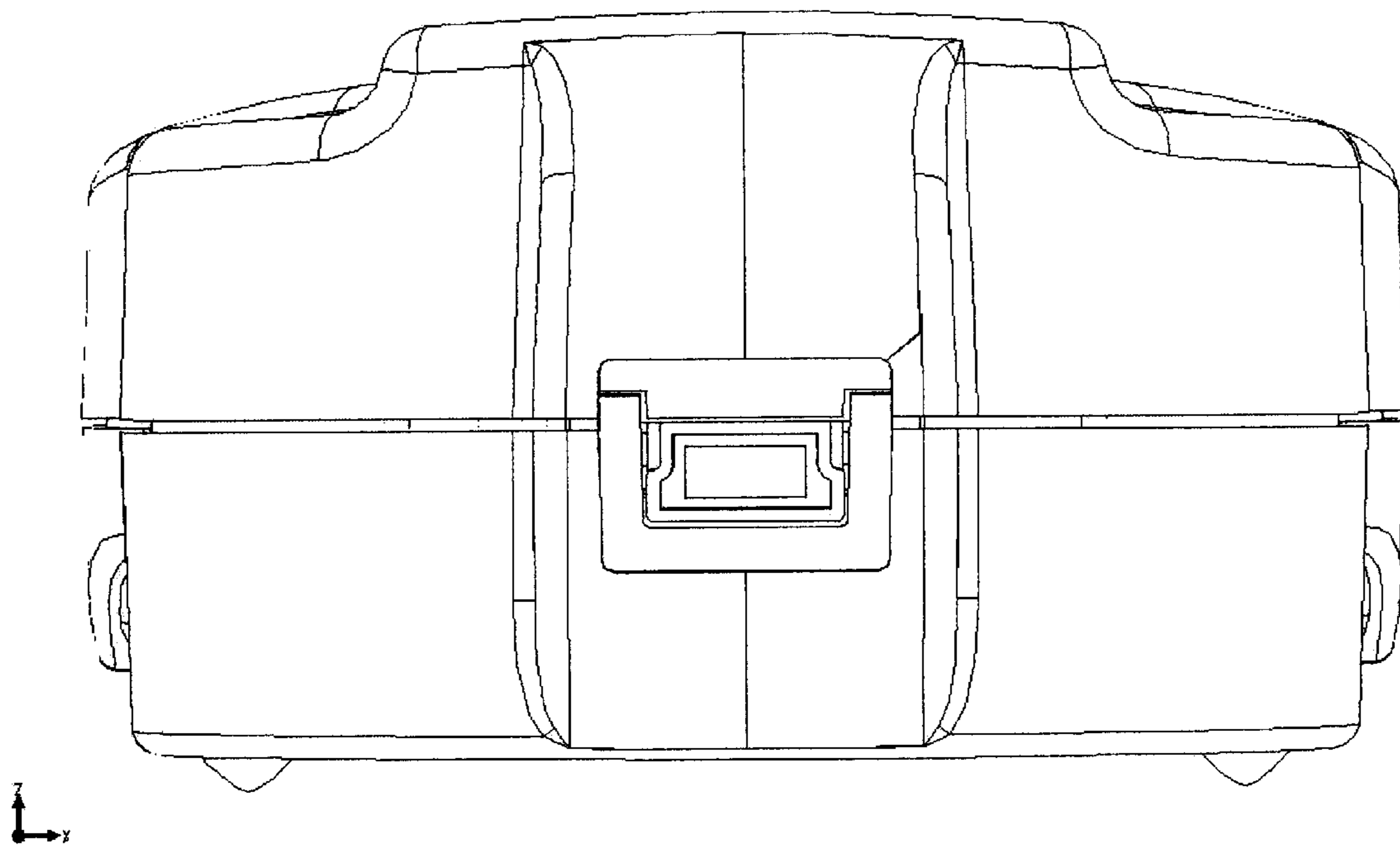


FIGURE 7