



US00D533092S

(12) **United States Design Patent** (10) **Patent No.:** **US D533,092 S**  
**Disselkoen et al.** (45) **Date of Patent:** **\*\* Dec. 5, 2006**

(54) **ROOM SENSOR HOUSING**

(57) **CLAIM**

(75) Inventors: **Wesley Disselkoen**, Chicago, IL (US);  
**Jim Wille**, Des Plaines, IL (US)

We claim the ornamental design for a room sensor housing,  
as shown and described.

(73) Assignee: **Siemens Building Technologies, Inc.**,  
Buffalo Grove, IL (US)

**DESCRIPTION**

(\*\*) Term: **14 Years**

FIG. 1 is a top perspective view of a first embodiment of a  
room sensor housing of the present invention;

(21) Appl. No.: **29/252,893**

FIG. 2 is a front view thereof;

(22) Filed: **Jan. 30, 2006**

FIG. 3 is a top view thereof, wherein the bottom view is a  
mirror image thereof;

(51) **LOC (8) Cl.** ..... **10-04**

FIG. 4 is a left side view thereof;

(52) **U.S. Cl.** ..... **D10/50**

FIG. 5 is a right side view thereof;

(58) **Field of Classification Search** ..... D10/49-50;  
236/46 R, 47, 49.3, 51, 84, 94; 400/485  
See application file for complete search history.

FIG. 6 is a top perspective view of a second embodiment of  
a room sensor housing of the present invention;

(56) **References Cited**

FIG. 7 is a front view thereof;

**U.S. PATENT DOCUMENTS**

FIG. 8 is a top view thereof, wherein the bottom view is a  
mirror image thereof;

D396,656 S \* 8/1998 Morrow et al. .... D10/50

FIG. 9 is a left side view thereof; and,

D431,198 S \* 9/2000 Monaco et al. .... D10/49

FIG. 10 is a right side view thereof.

2004/0262410 A1 \* 12/2004 Hull ..... 236/94

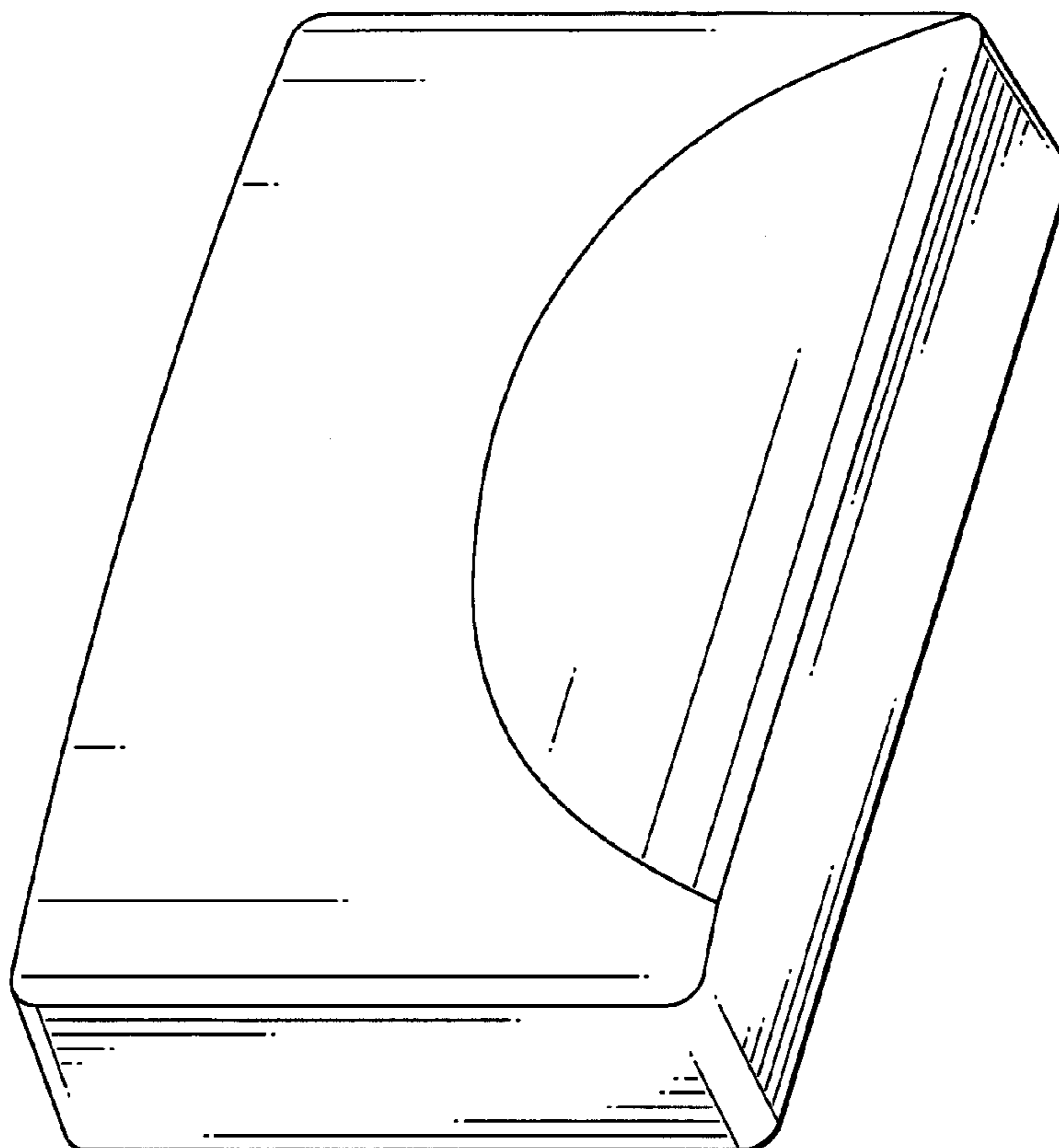
The bottom view for each of the two embodiments has been  
omitted and forms no part of the claimed design.

\* cited by examiner

The ornamental design which is claimed is shown in solid  
lines in the drawings. Any broken lines in the drawings are  
for illustrative purposes only and form no part of the claimed  
design.

*Primary Examiner*—Antoine D. Davis

**1 Claim, 6 Drawing Sheets**



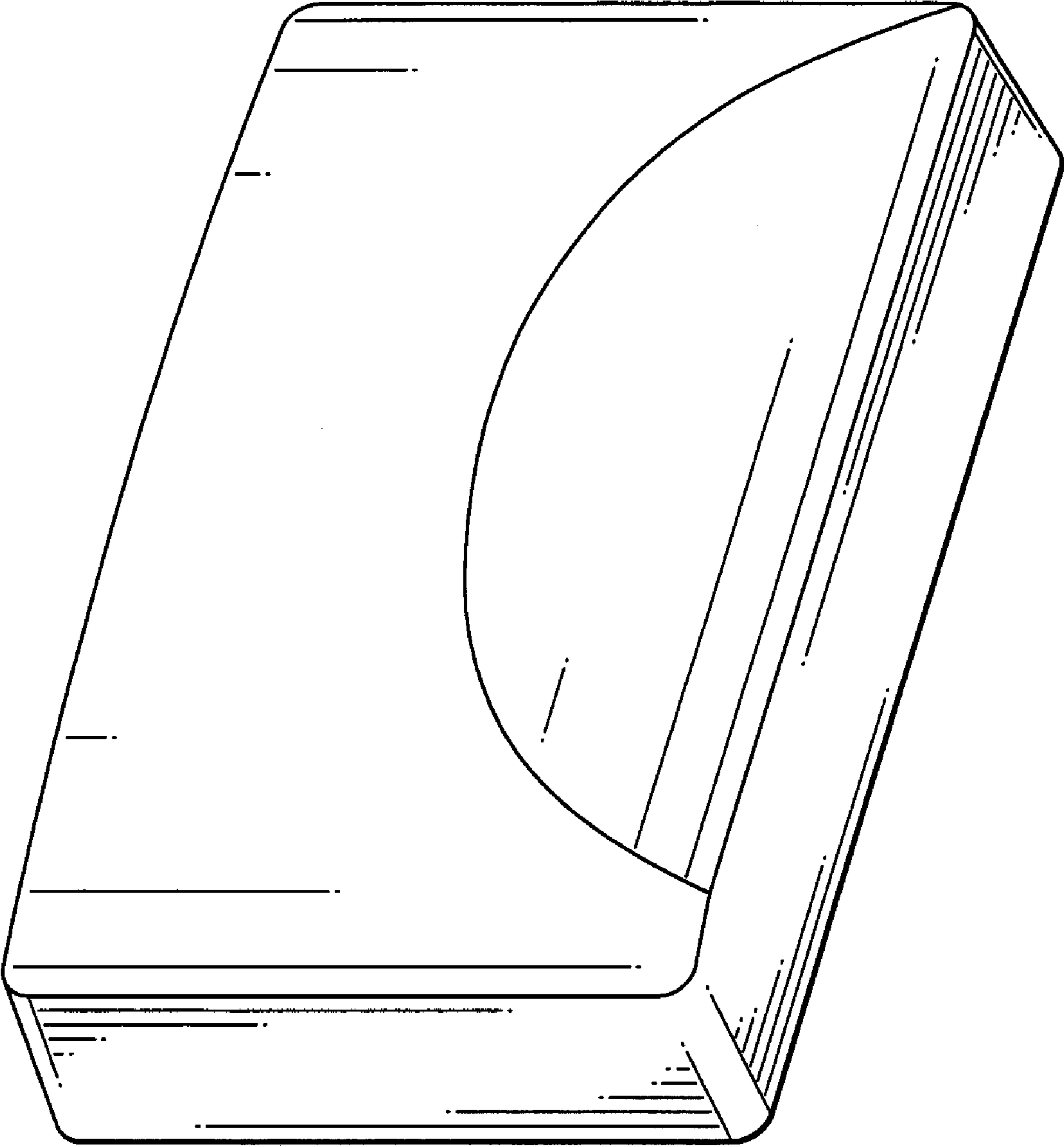


FIG. 1

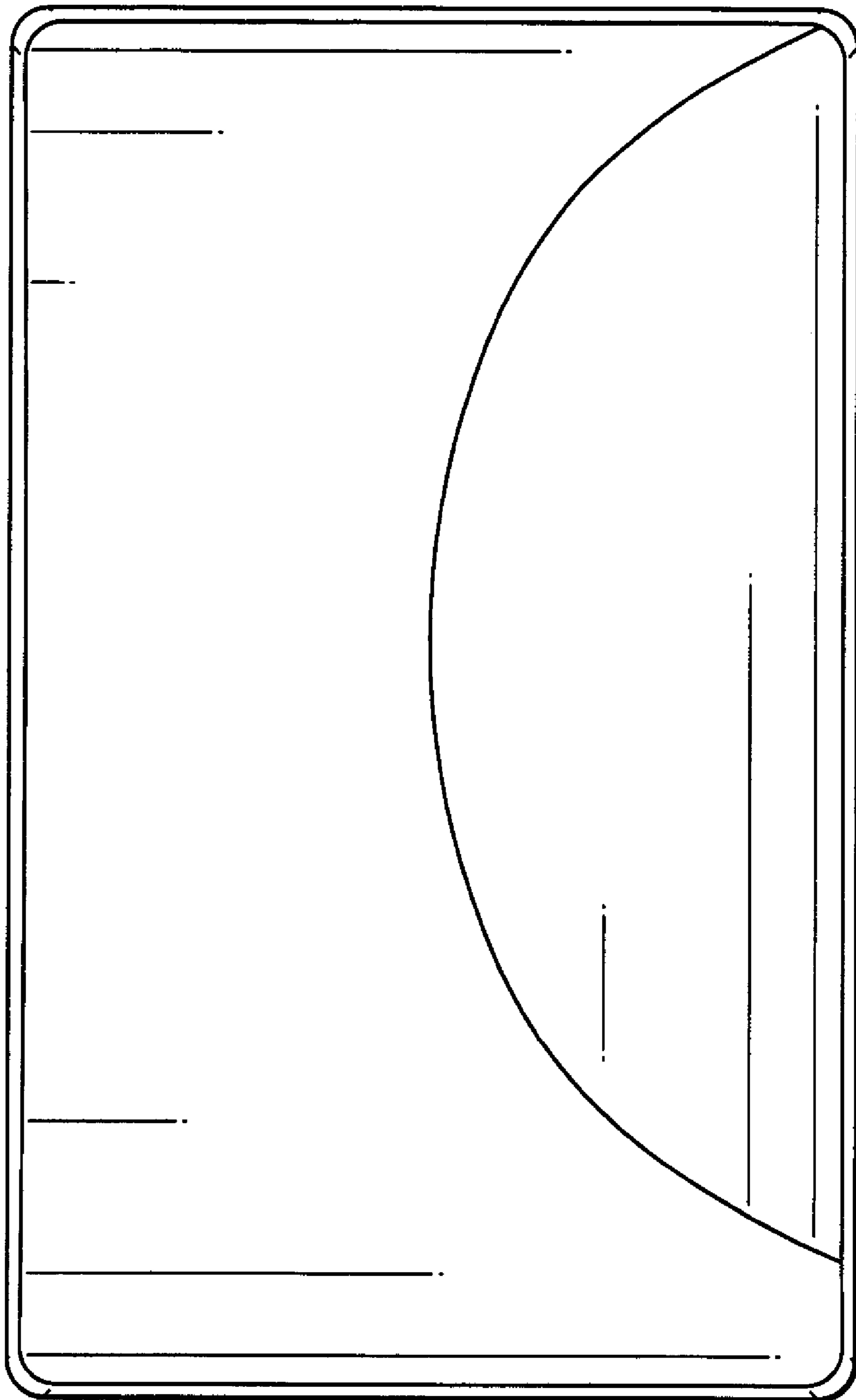


FIG. 2

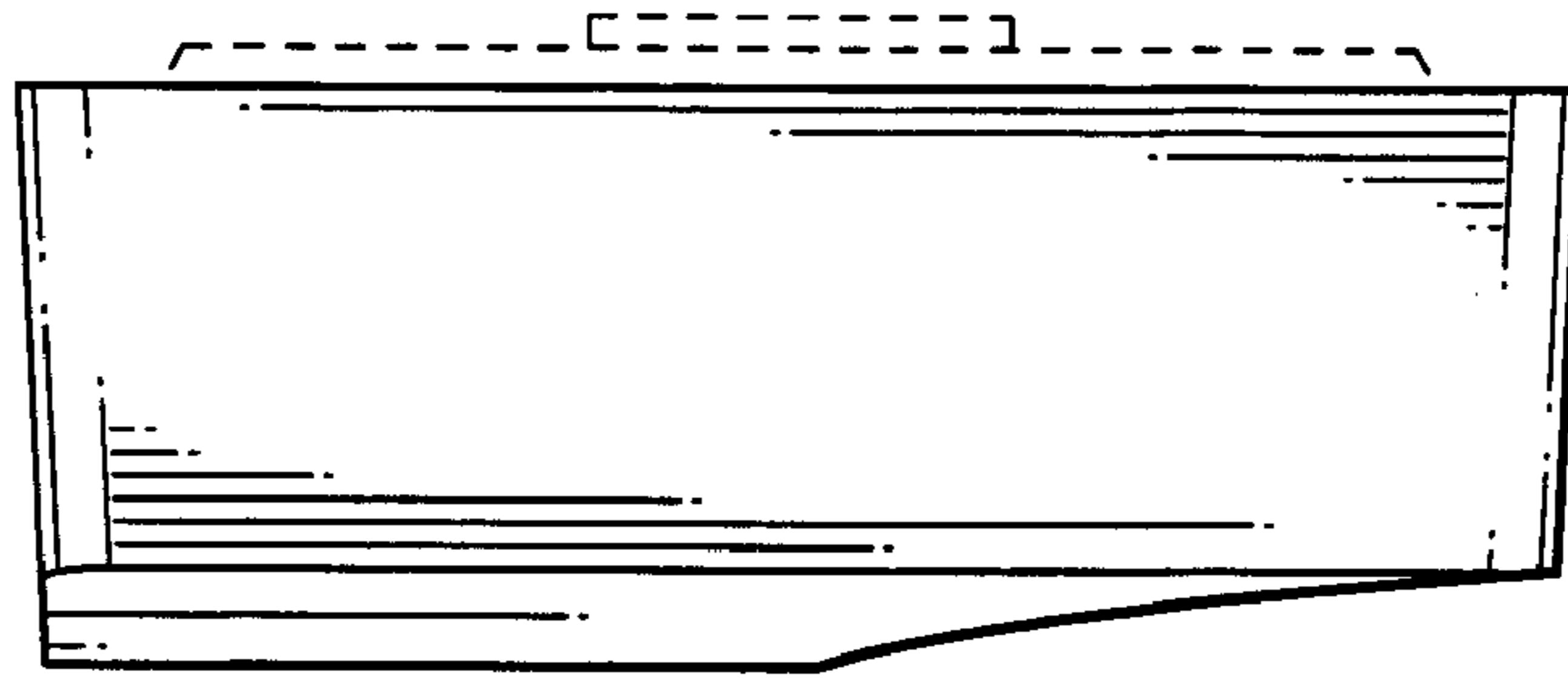


FIG. 3

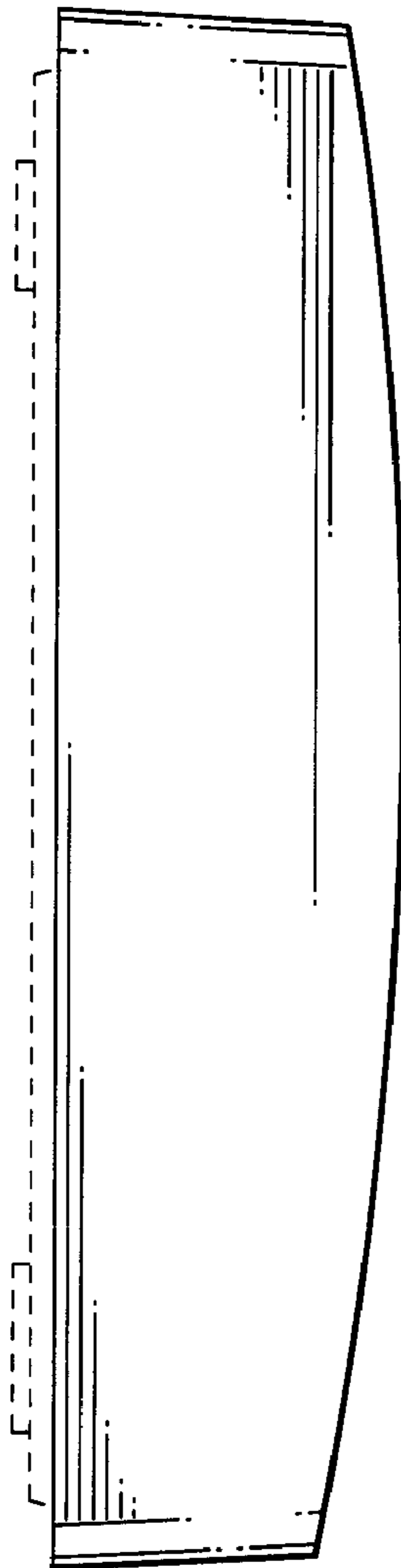


FIG. 4

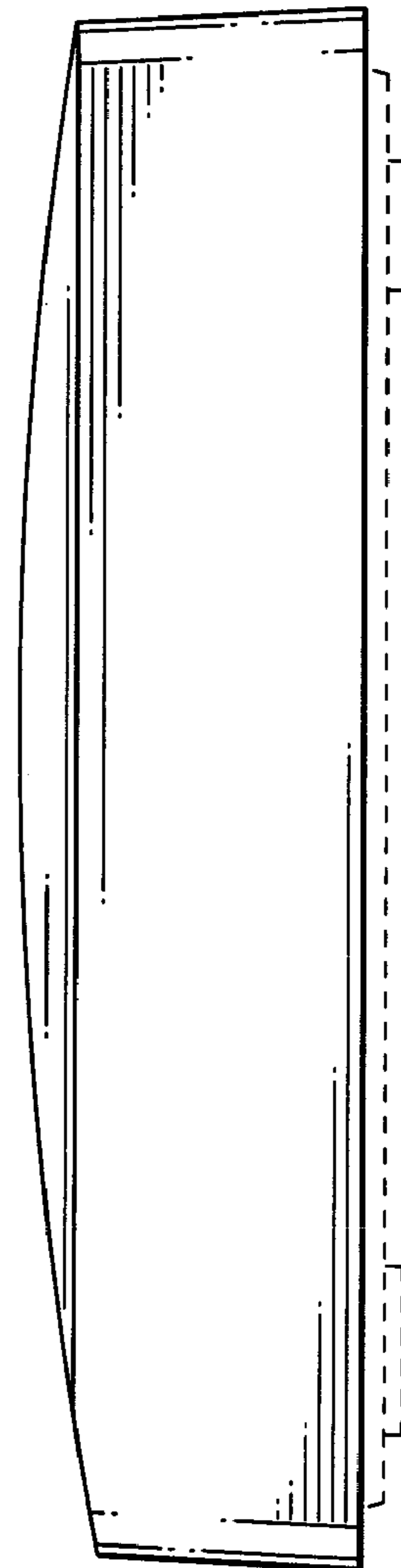


FIG. 5

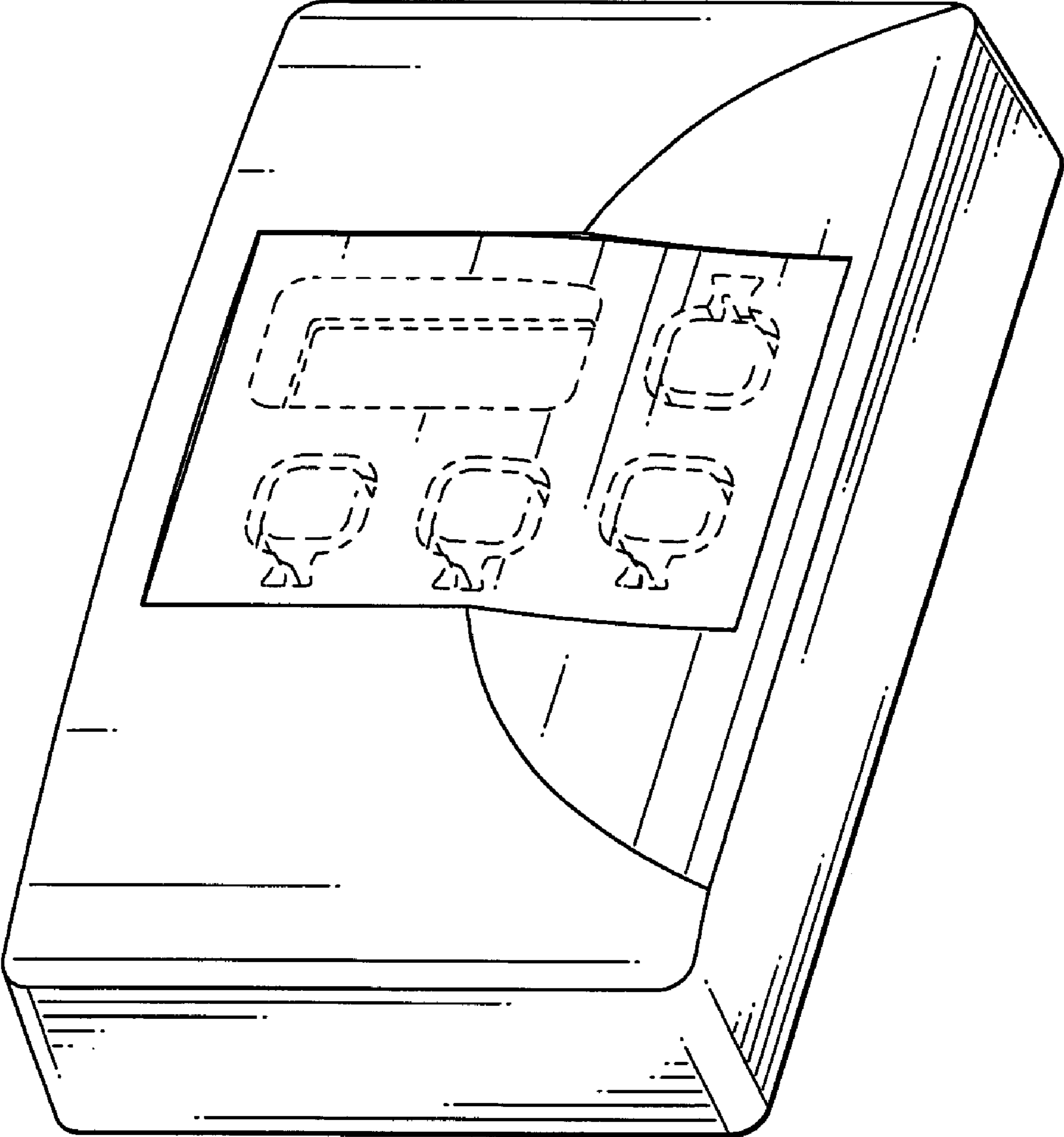


FIG. 6

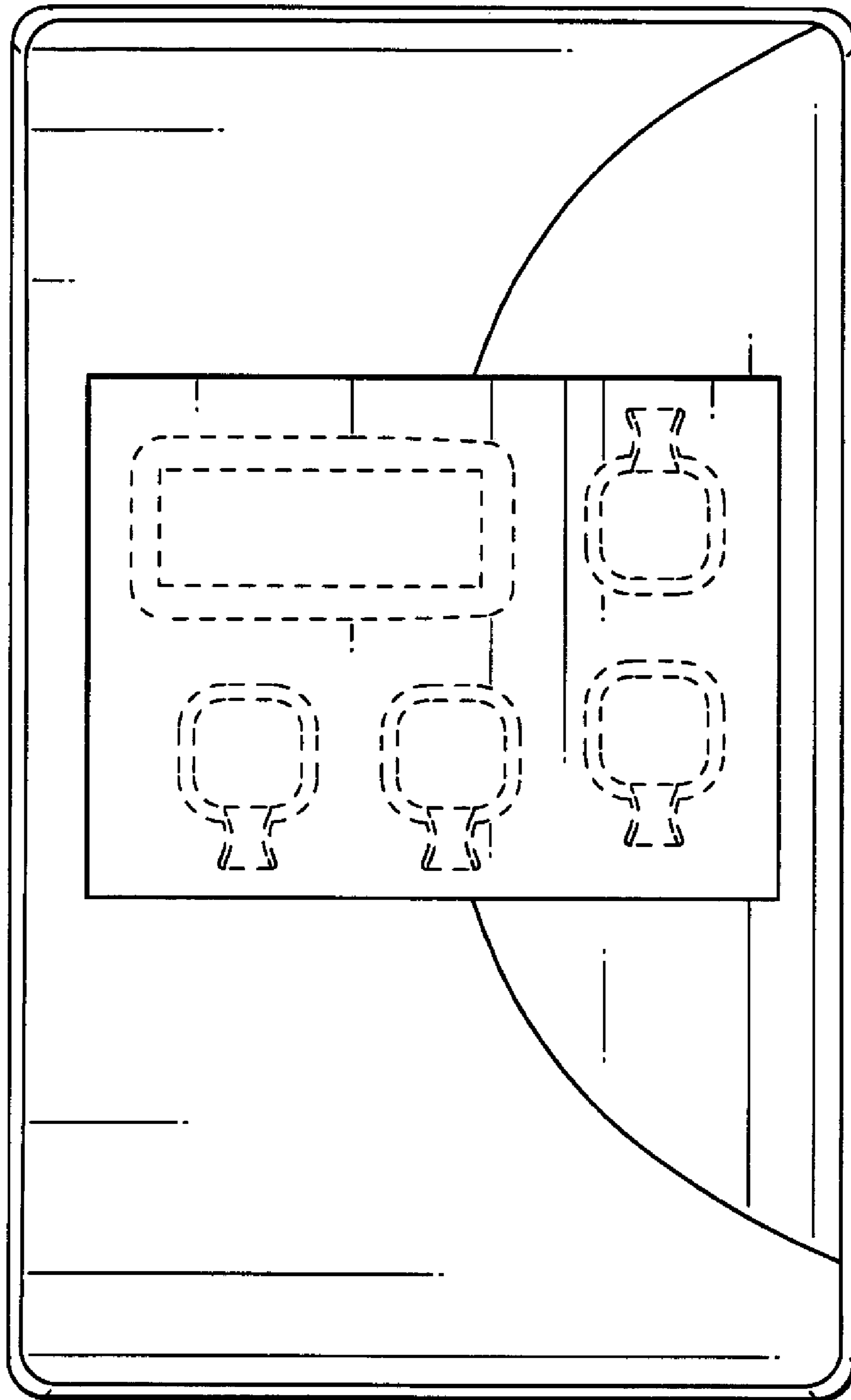


FIG. 7

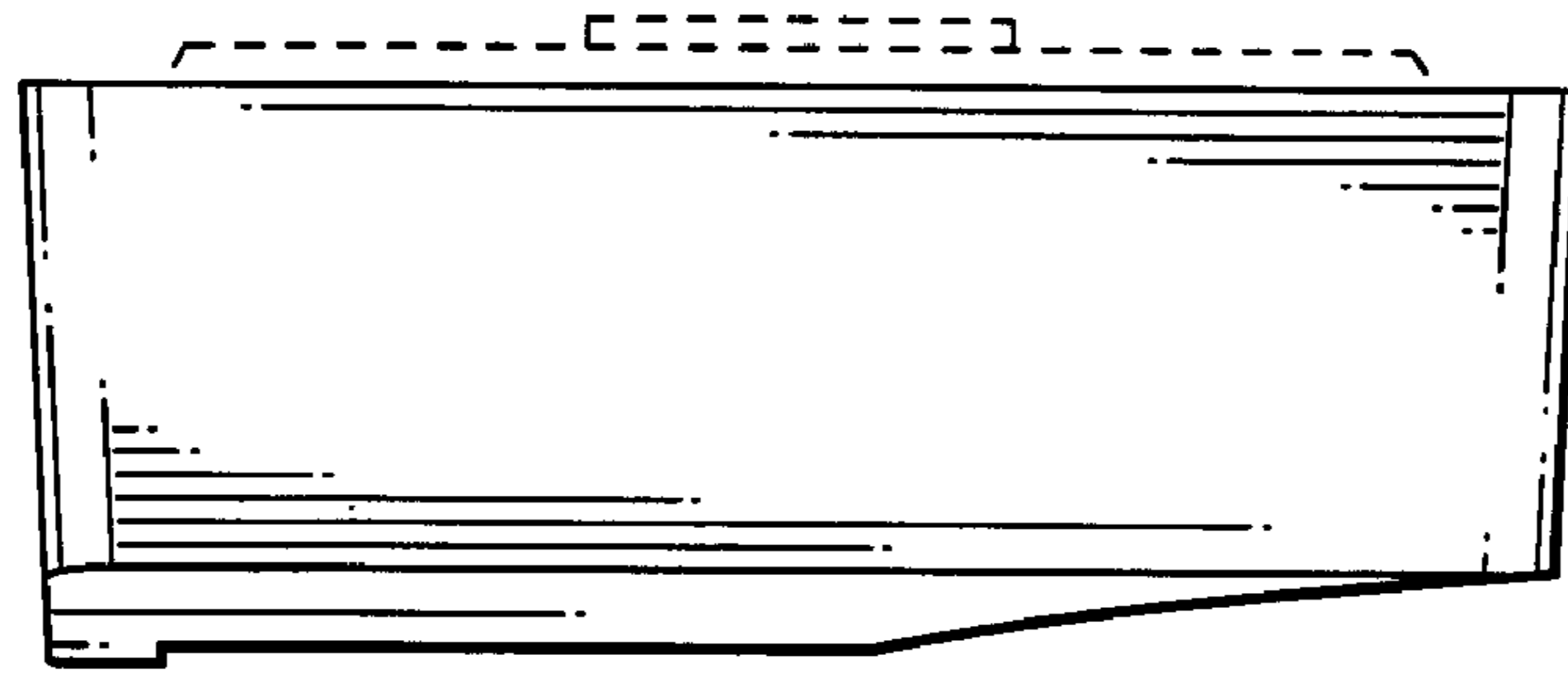


FIG. 8

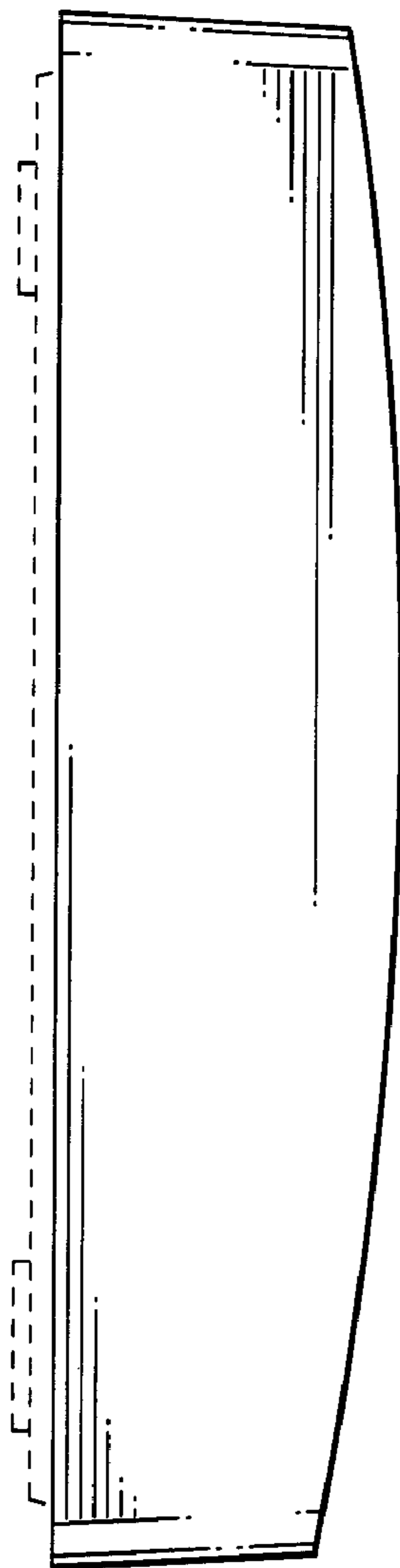


FIG. 9

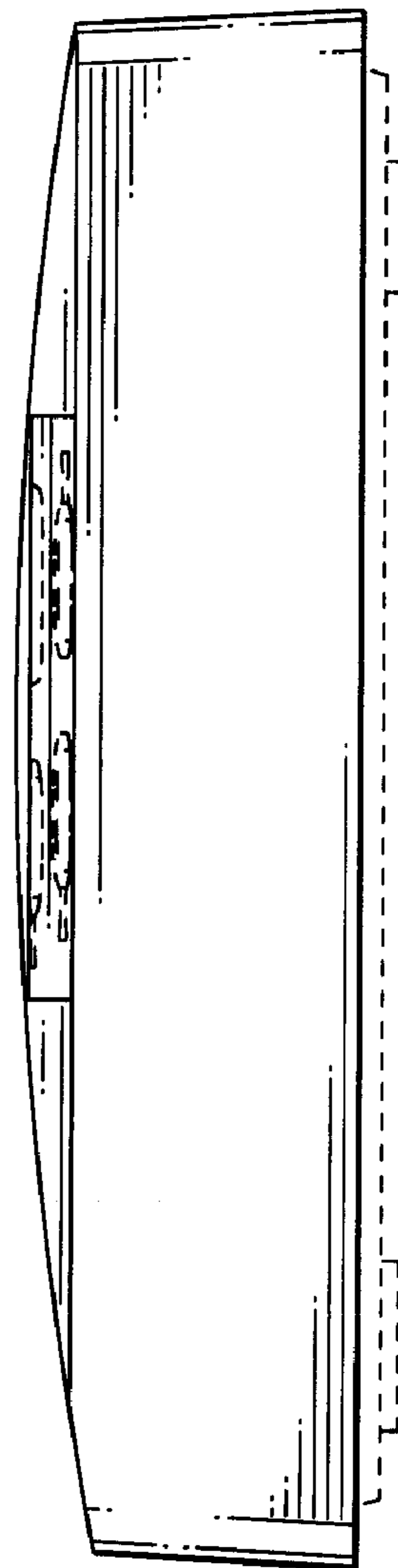


FIG. 10