



US00D533091S

(12) **United States Design Patent**
Garrett et al.

(10) **Patent No.:** **US D533,091 S**

(45) **Date of Patent:** **** Dec. 5, 2006**

(54) **HEATING, VENTILATING AND AIR
CONDITIONING CONTROLLER**

D457,821 S	5/2002	Amborn et al.
D458,159 S	6/2002	Amborn et al.
D460,699 S	7/2002	Amborn et al.
D460,922 S	7/2002	Amborn et al.
D470,114 S	2/2003	Amborn et al.
D471,161 S	3/2003	Amborn et al.

(75) Inventors: **Carl L. Garrett**, Bullard, TX (US);
Nathan P. Parker, Flint, TX (US);
Robert W. Helt, Tyler, TX (US);
Timothy W. Storm, Tyler, TX (US);
Dale C. Cotton, Franklin, TN (US);
Amy N. Sorensen, Clarksville, TN
(US); **Randy S. Amborn**, White Bear
Lake, MN (US)

Primary Examiner—Antoine D. Davis
(74) *Attorney, Agent, or Firm*—William J. Beres; William
O’Driscoll

(73) Assignee: **American Standard International
Inc.**, New York, NY (US)

(57) **CLAIM**

The ornamental design for a heating, ventilating and air
conditioning controller, as shown and described.

(**) Term: **14 Years**

DESCRIPTION

(21) Appl. No.: **29/224,573**

FIG. 1 is a perspective view of the heating, ventilating and
air conditioning controller showing our new design;

(22) Filed: **Mar. 3, 2005**

FIG. 2 is a front view thereof;

(51) **LOC (8) Cl.** **10-04**

(52) **U.S. Cl.** **D10/50; D10/49**

FIG. 3 is a left side view thereof;

(58) **Field of Classification Search** D10/49–50;
62/180; 236/1 C, 11, 46 R, 47, 49.3, 51,
236/84, 94; 400/485

FIG. 4 is a right side view thereof;

See application file for complete search history.

FIG. 5 is a top view thereof; and,

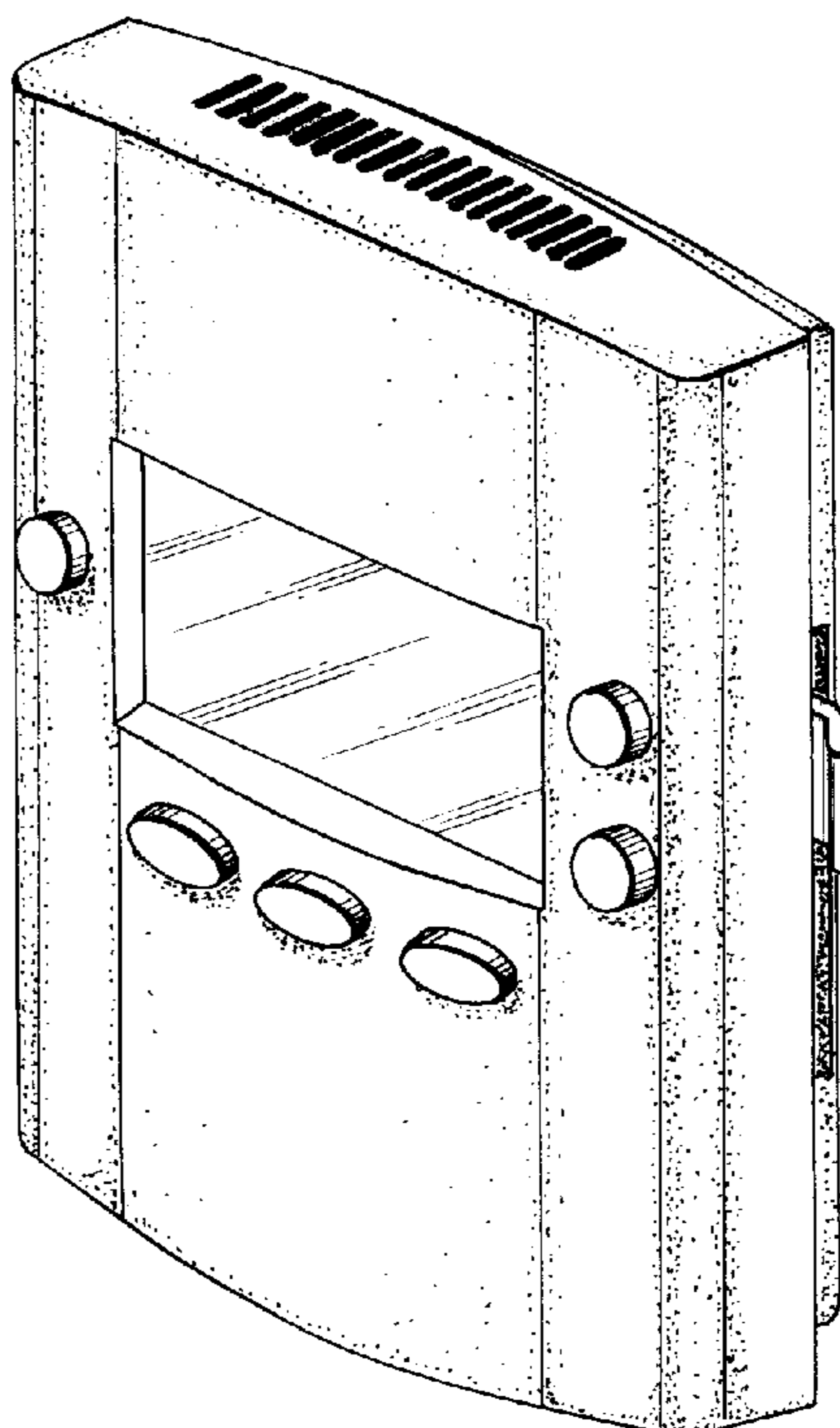
FIG. 6 is a bottom view thereof.

(56) **References Cited**

U.S. PATENT DOCUMENTS

D457,820 S 5/2002 Amborn et al.

1 Claim, 2 Drawing Sheets



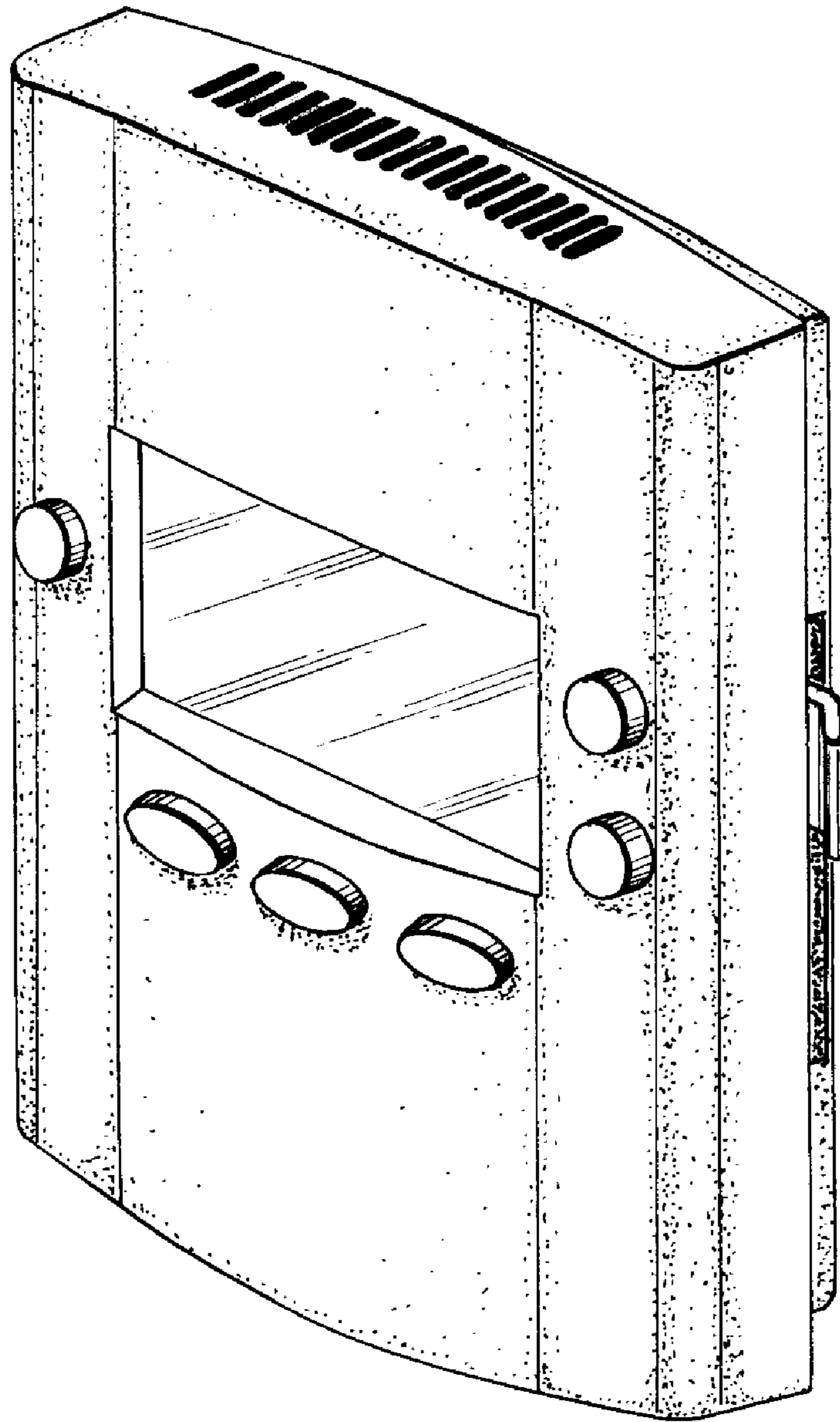


FIG. 1

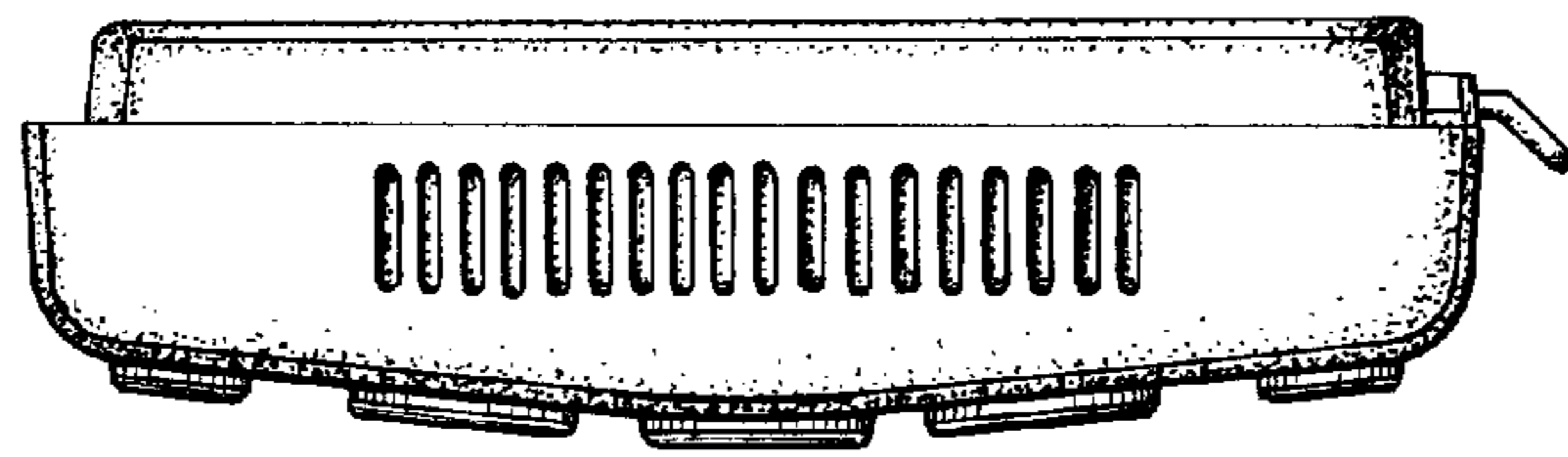


FIG. 5

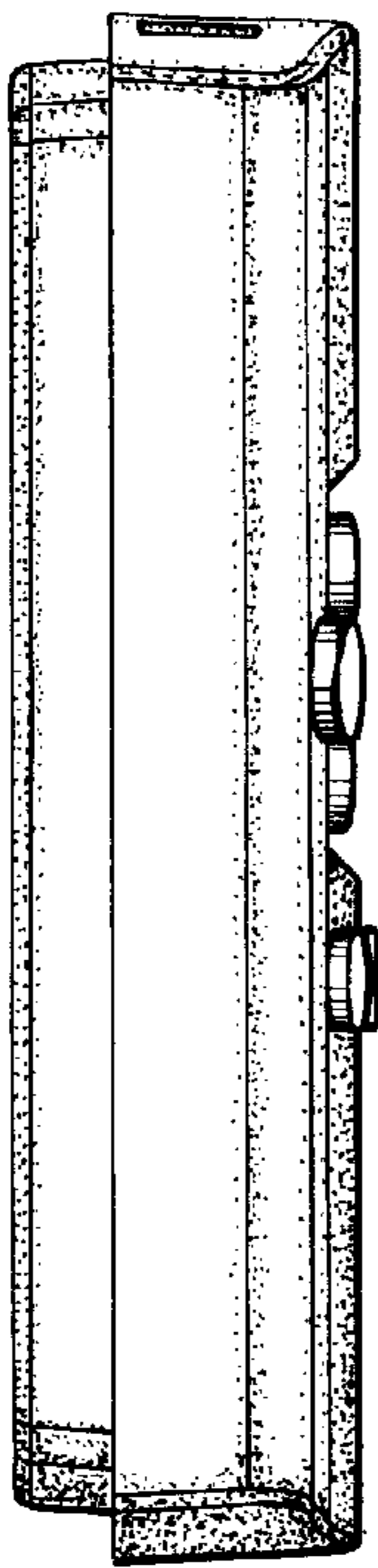


FIG. 3

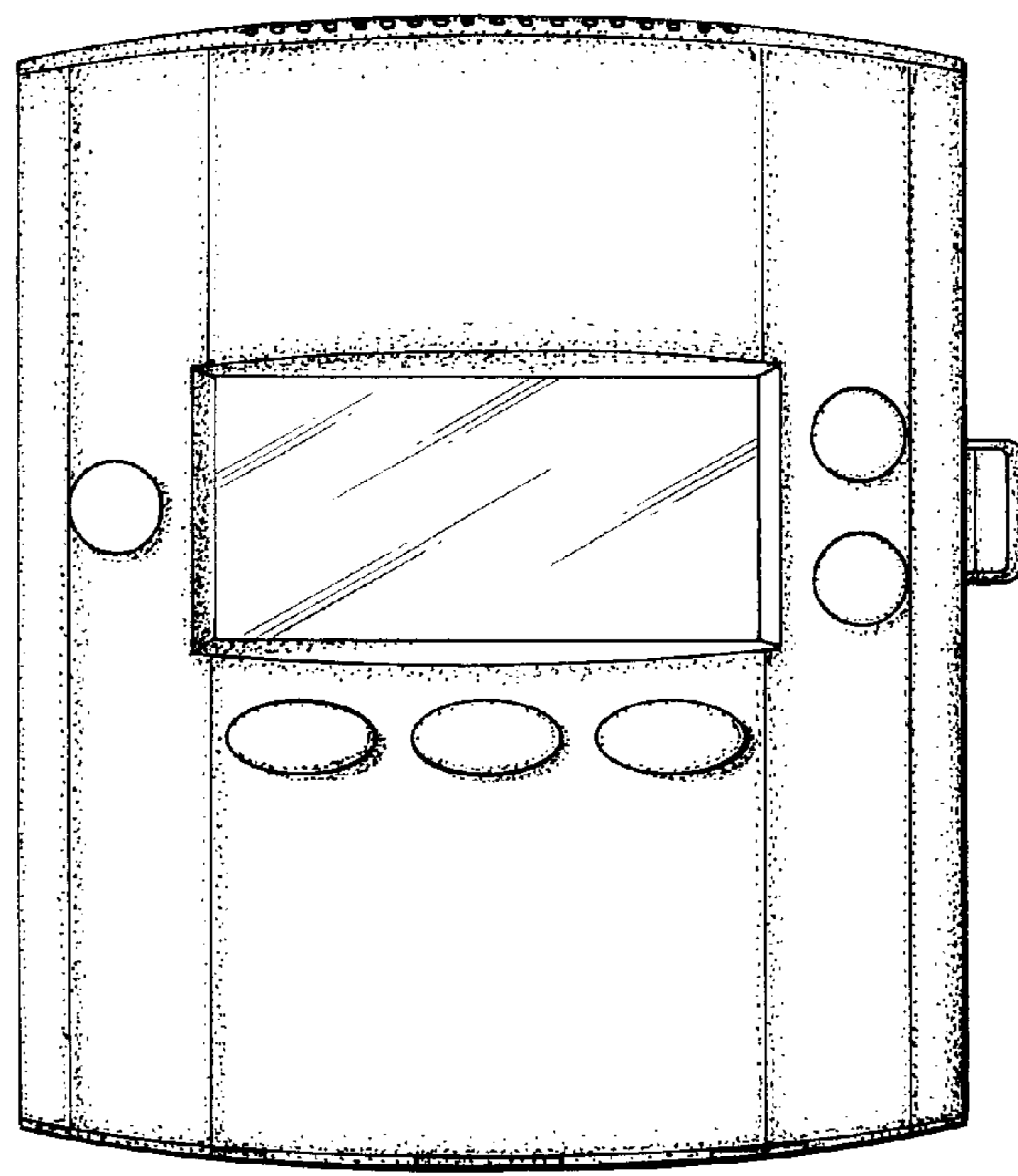


FIG. 2

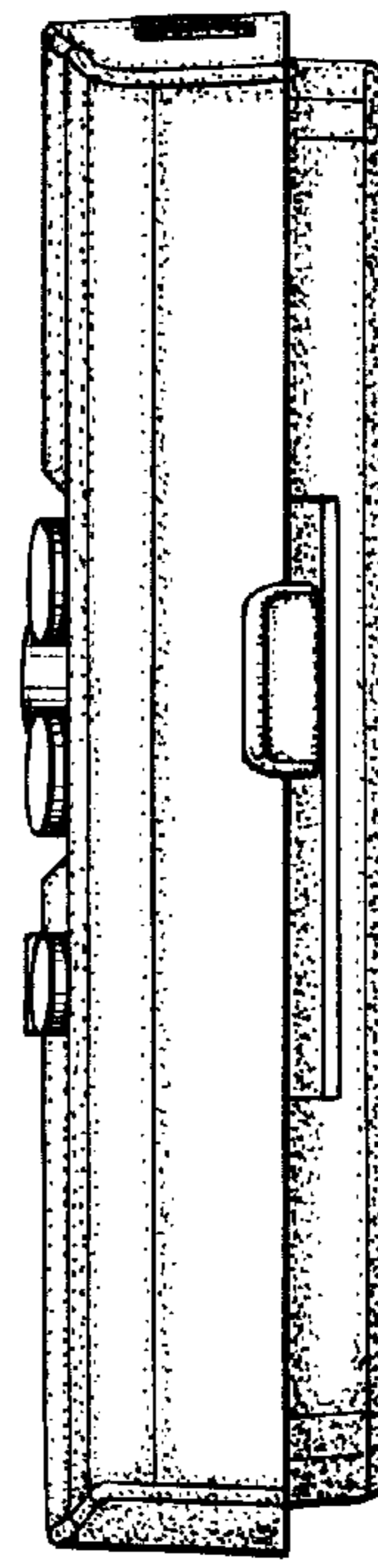


FIG. 4

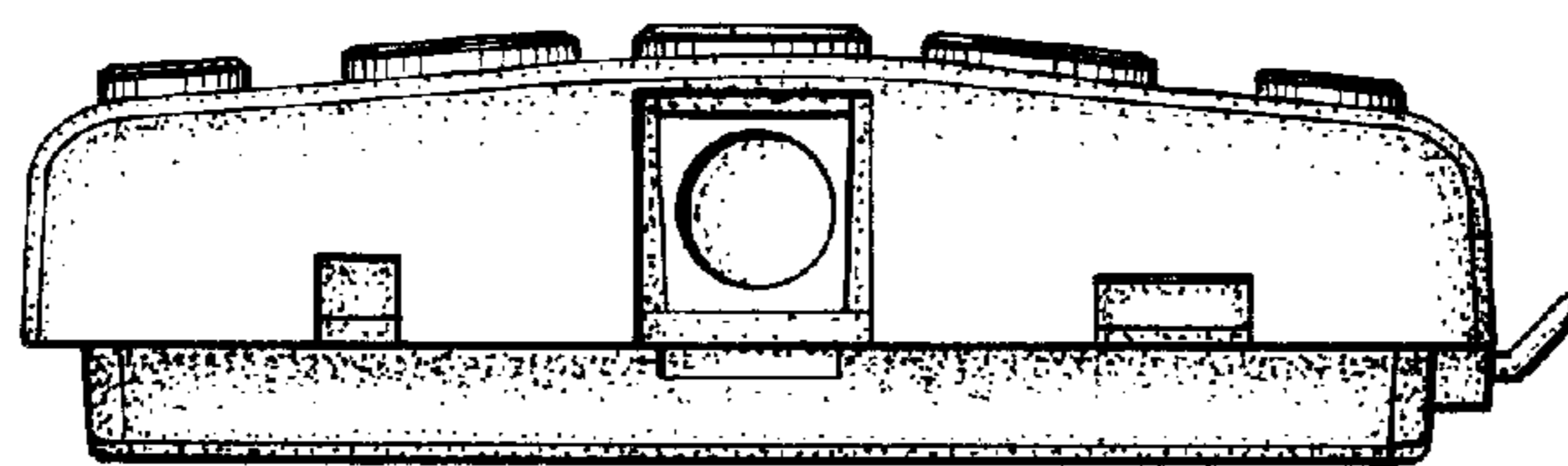


FIG. 6