



US00D533083S

(12) **United States Design Patent**
Tse

(10) **Patent No.:** **US D533,083 S**

(45) **Date of Patent:** **** Dec. 5, 2006**

(54) **CLOCK**

(75) Inventor: **Wai Sze Tse**, Hong Kong (HK)

(73) Assignee: **Diffany Development Co., Limited**,
Hong Kong (HK)

(**) Term: **14 Years**

(21) Appl. No.: **29/211,365**

(22) Filed: **Aug. 16, 2004**

(51) **LOC (8) Cl.** **10-01**

(52) **U.S. Cl.** **D10/15**

(58) **Field of Classification Search** D10/40,
D10/41, 1-29, 122-132; 368/96-100, 107-121,
368/285, 286, 316, 317, 294, 10, 82-84,
368/28-30, 239-242, 276-278, 280, 284,
368/63, 72, 73, 228, 232, 223

See application file for complete search history.

(56) **References Cited**

U.S. PATENT DOCUMENTS

D50,728 S * 5/1917 Roche D10/2
D90,935 S * 10/1933 Barrett 10/15

D301,309 S * 5/1989 Houlihan D10/15
D317,263 S * 6/1991 Rothman D10/23
D336,615 S * 6/1993 Peersmann D10/15
D346,965 S * 5/1994 Wolff D10/1
D359,003 S * 6/1995 Davis et al. D10/40
D475,636 S * 6/2003 Li D10/15
6,595,683 B1 * 7/2003 Cetera 368/316

* cited by examiner

Primary Examiner—Lucy Lieberman

(57) **CLAIM**

The ornamental design for a clock, as shown.

DESCRIPTION

The claimed clock is used for measuring or indicating time. FIG. 1 is a front elevational view of a clock showing my new design;

FIG. 2 is a rear elevational view thereof;

FIG. 3 is a right side view thereof;

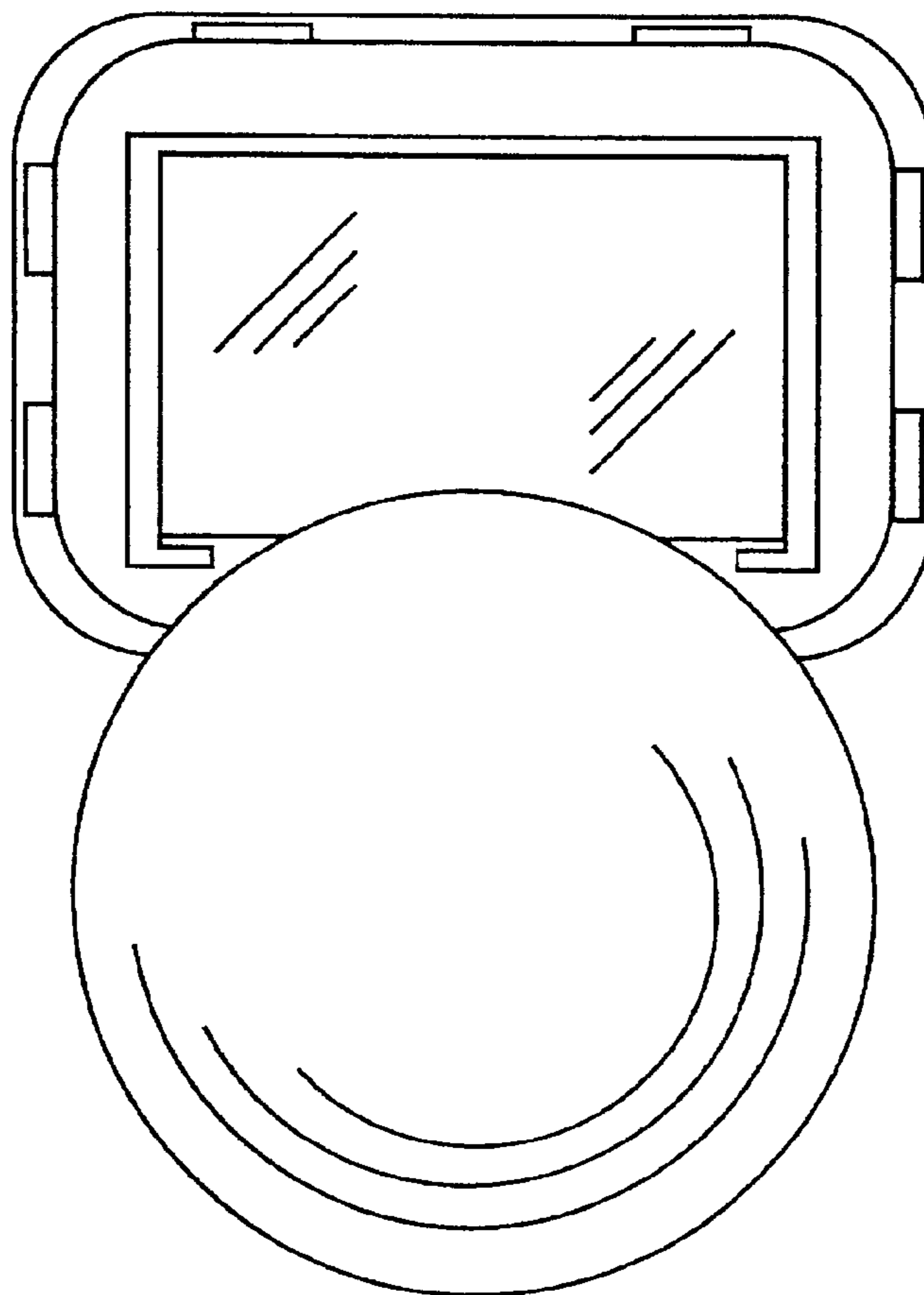
FIG. 4 is a left side view thereof;

FIG. 5 is a top plan view thereof;

FIG. 6 is a bottom plan view thereof; and,

FIG. 7 is a perspective view thereof.

1 Claim, 4 Drawing Sheets



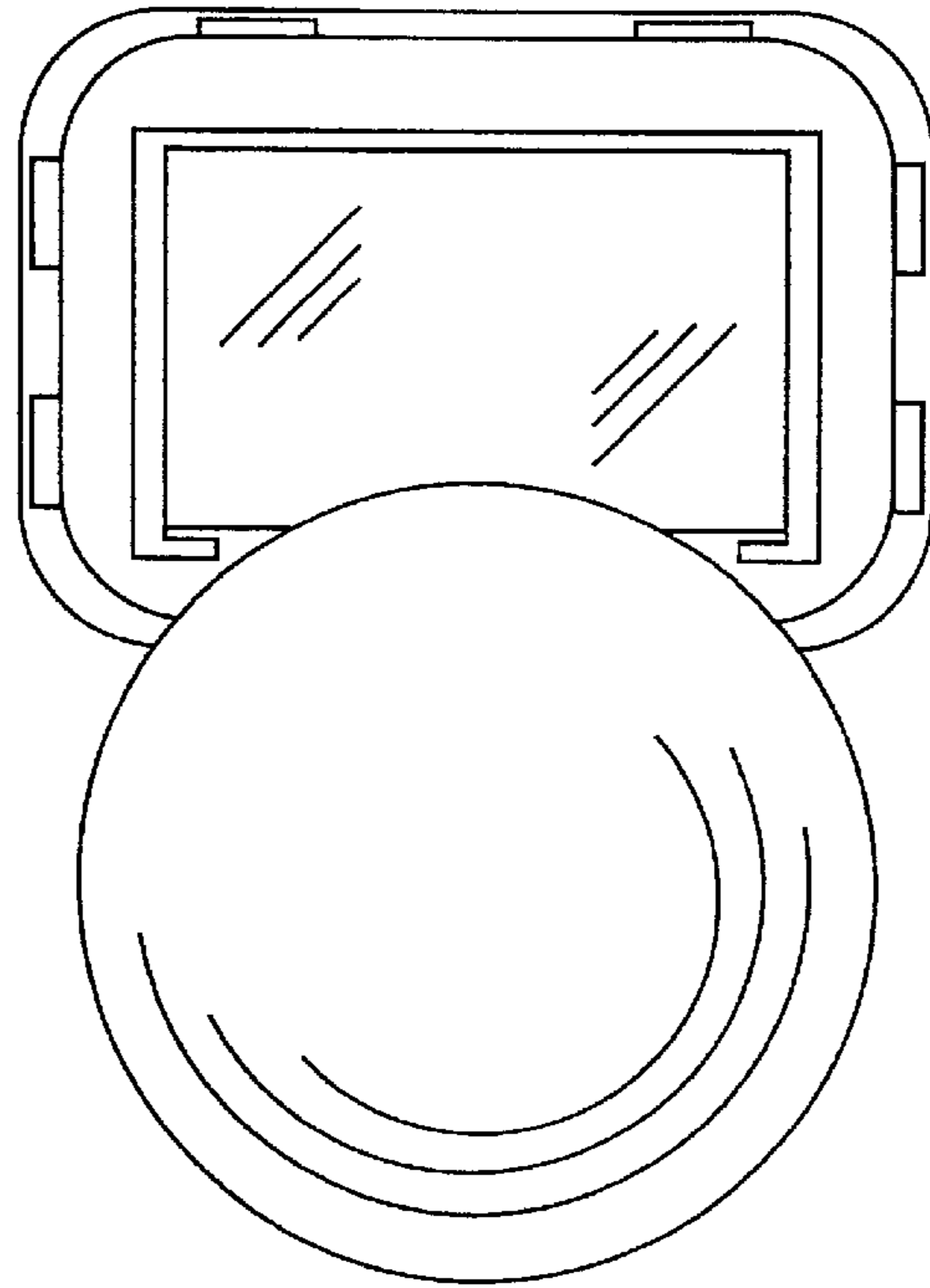


FIG. 1

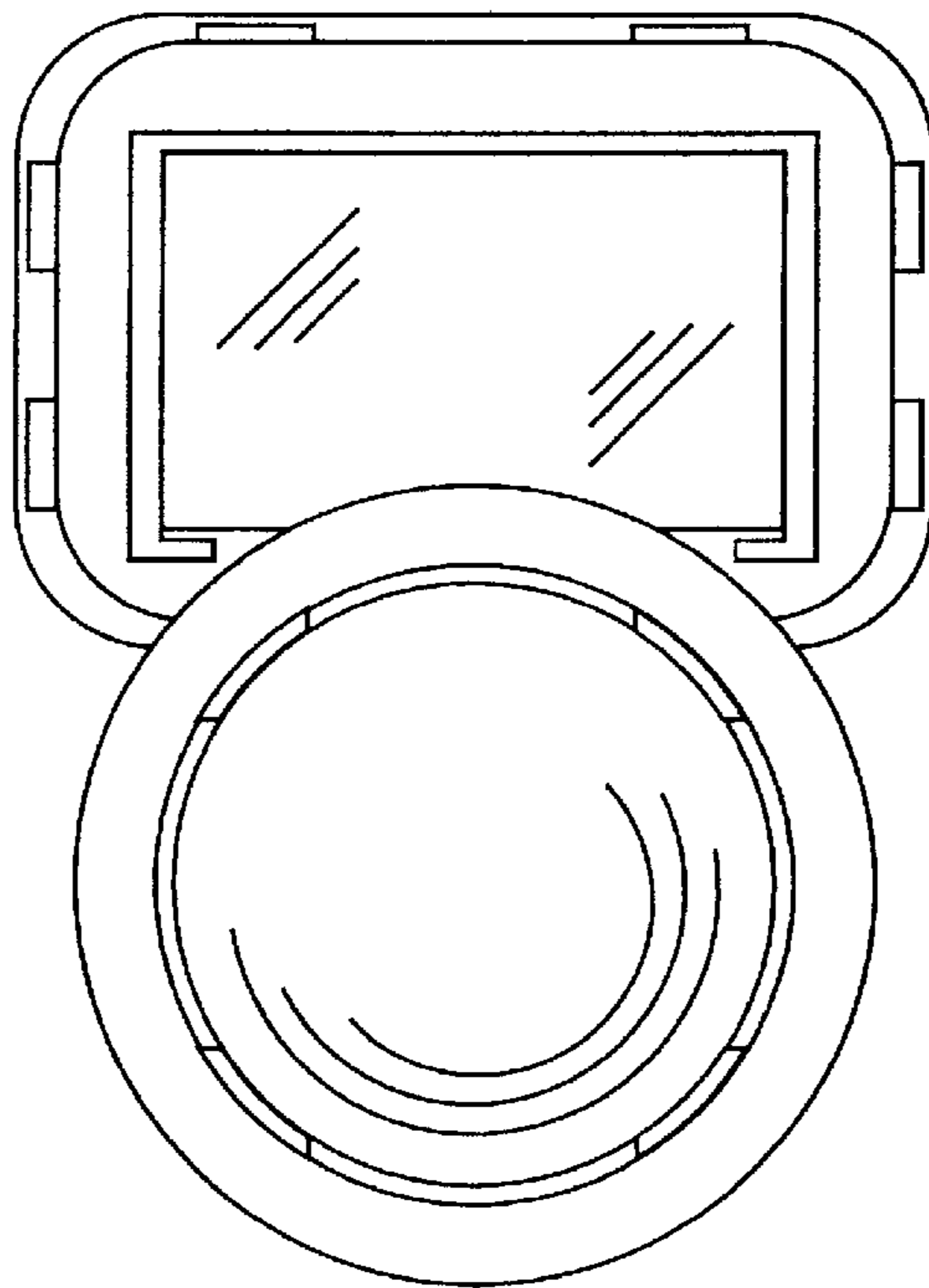


FIG. 2

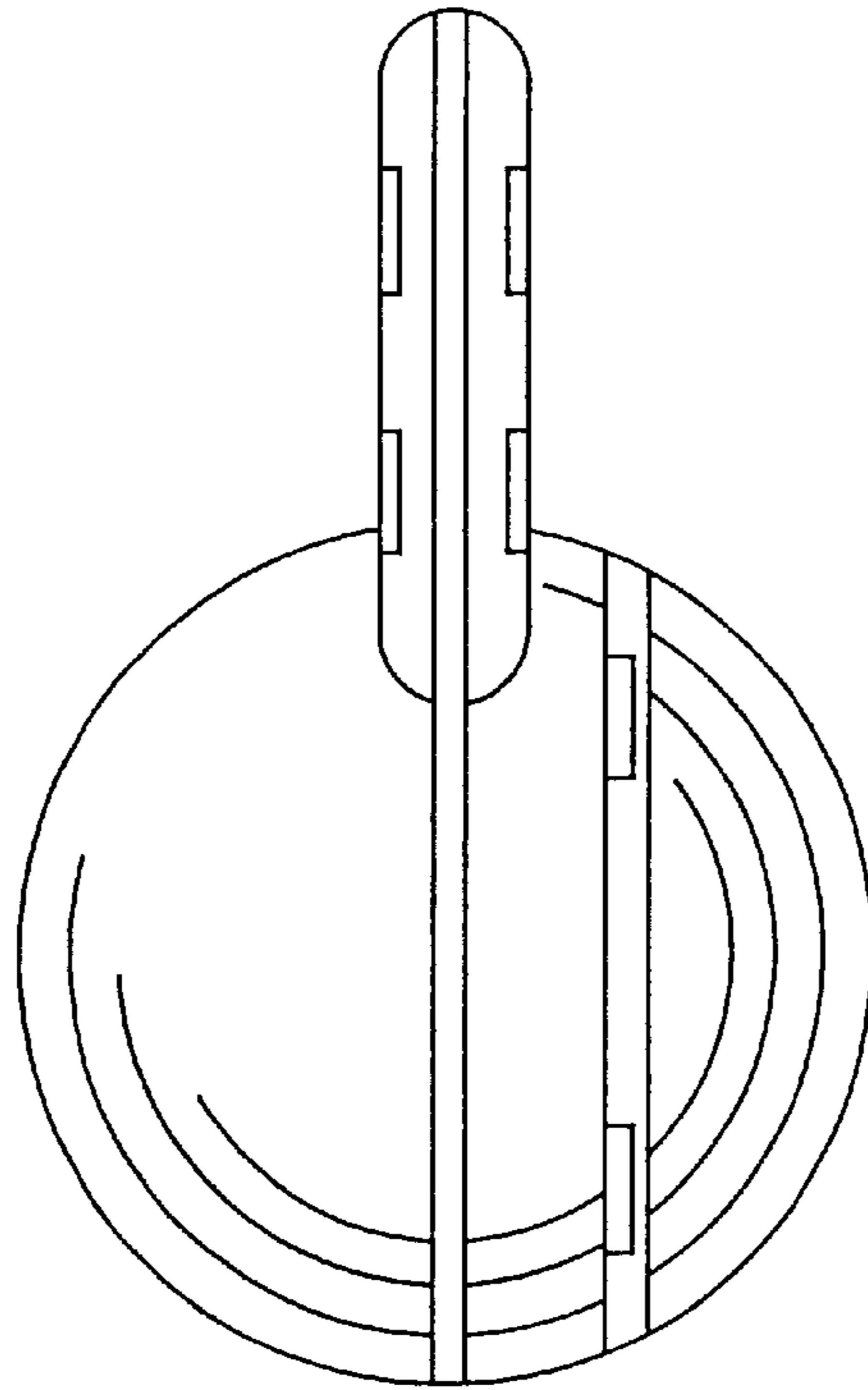


FIG. 3

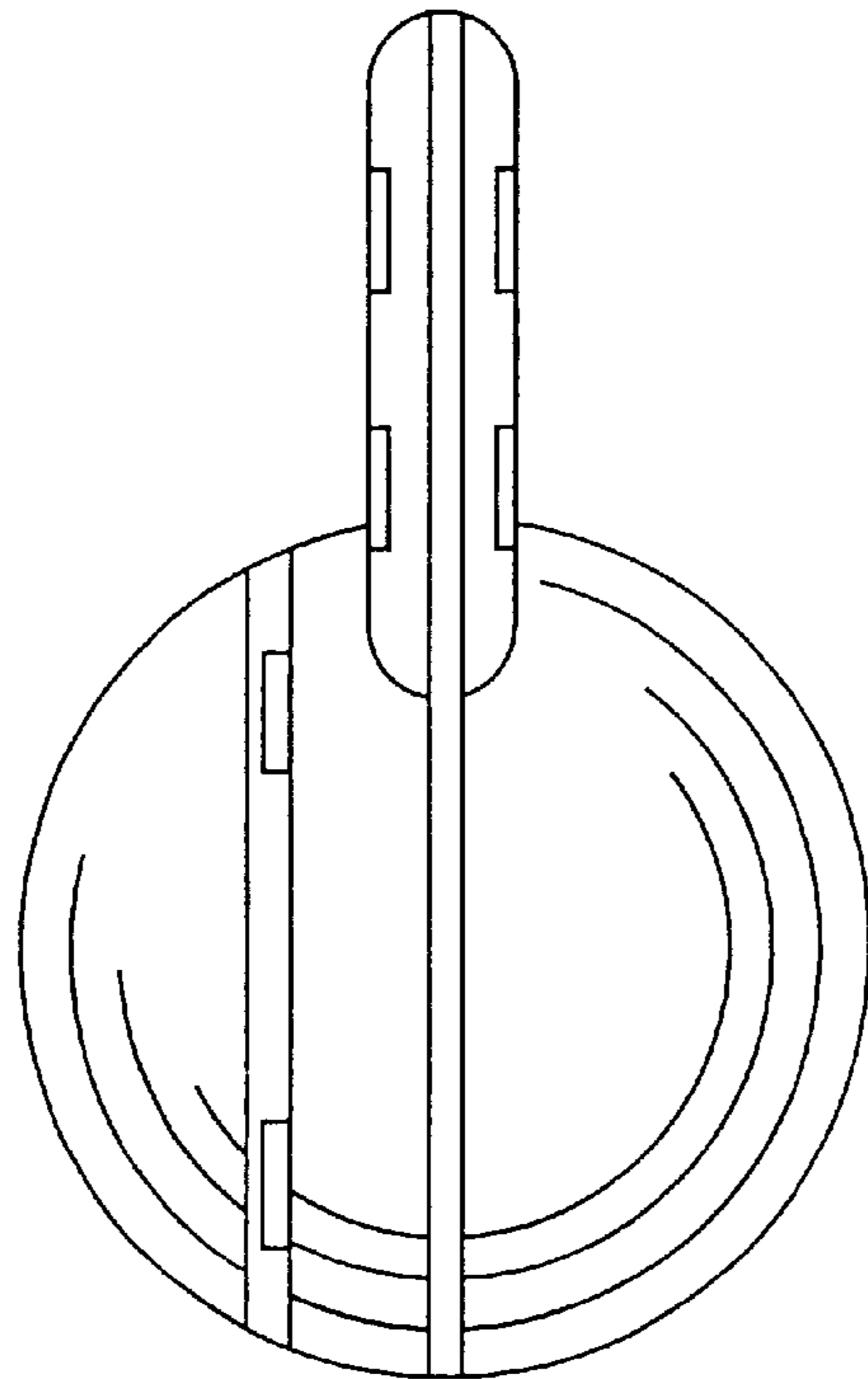


FIG. 4

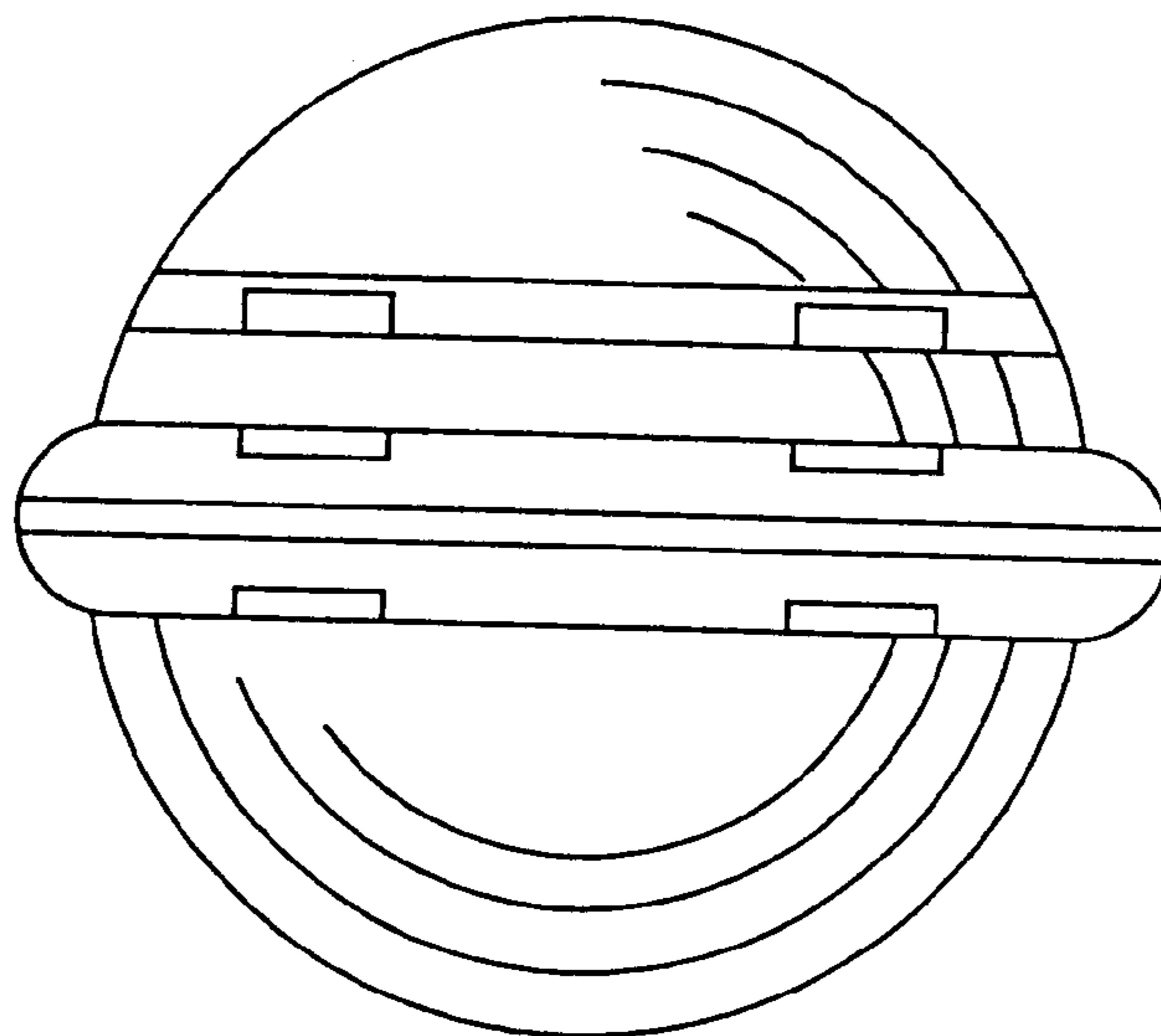


FIG. 5

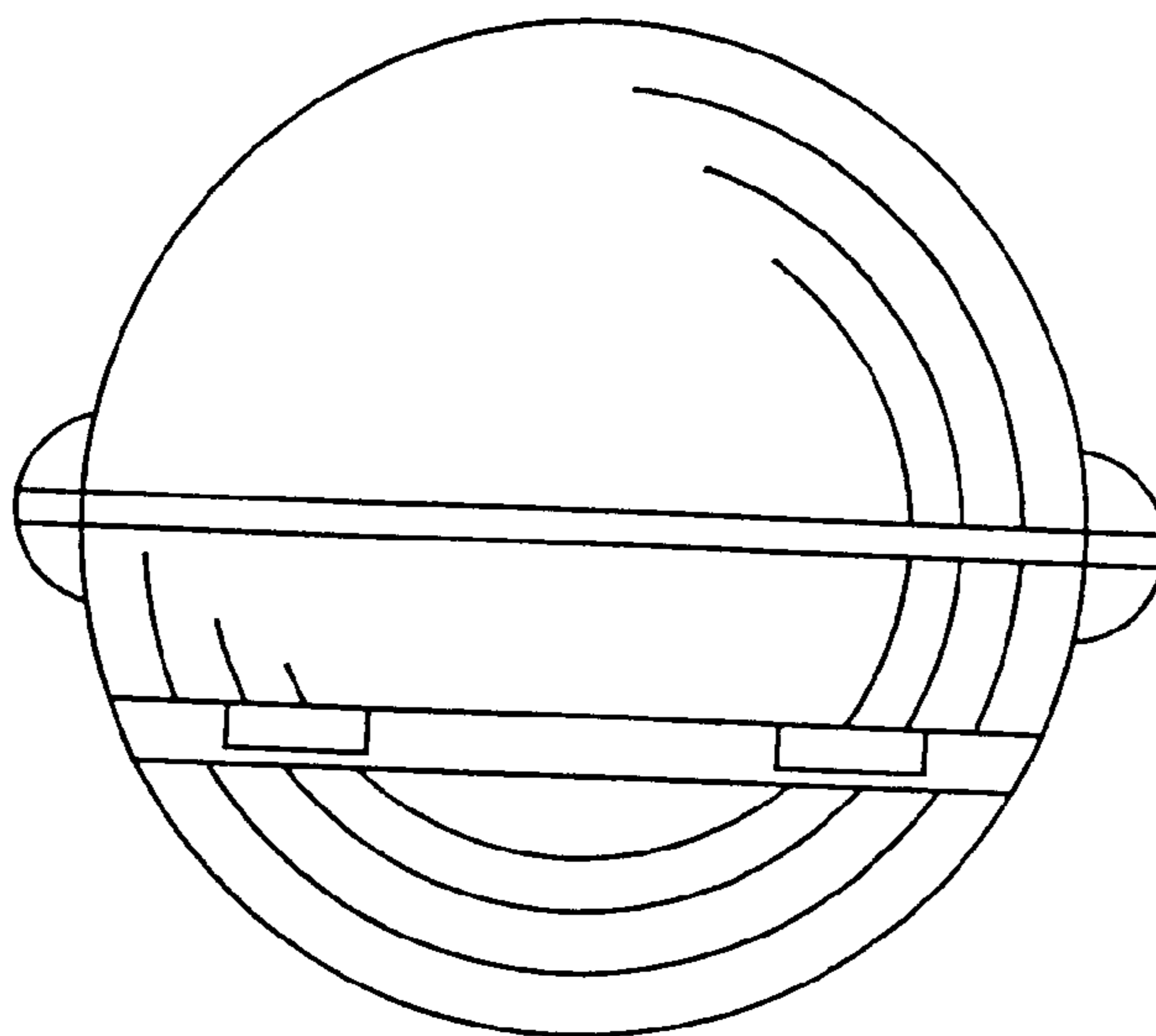


FIG. 6

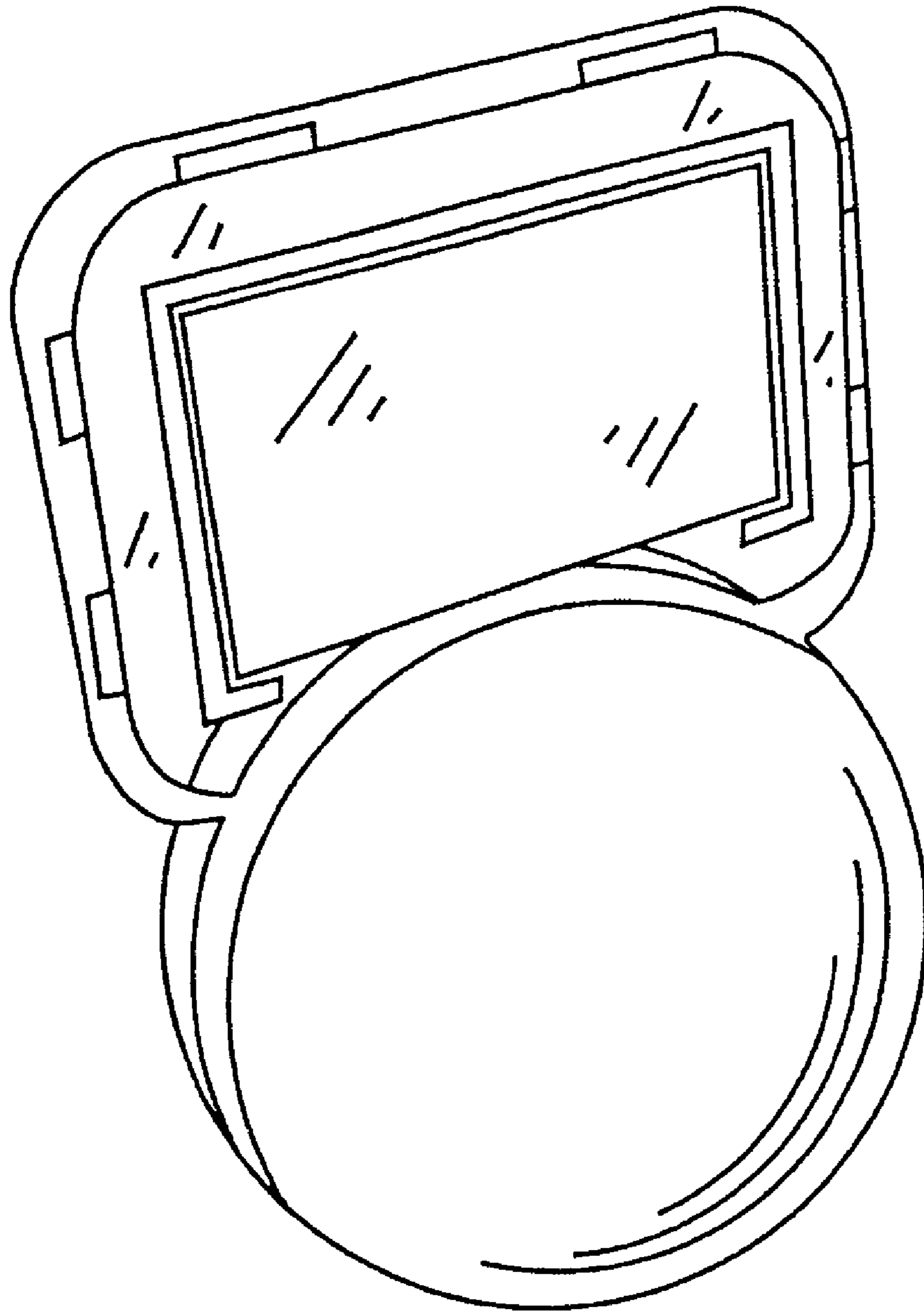


FIG. 7