



US00D533081S

(12) **United States Design Patent**  
**Kitchings**

(10) **Patent No.:** **US D533,081 S**

(45) **Date of Patent:** **\*\* Dec. 5, 2006**

(54) **ALARM CLOCK**

(76) Inventor: **Alonzer O. Kitchings**, 2713 G  
Woodcrest Dr., Augusta, GA (US)  
30909

(\*\*) Term: **14 Years**

(21) Appl. No.: **29/230,405**

(22) Filed: **May 20, 2005**

(51) **LOC (8) Cl.** ..... **10-01**

(52) **U.S. Cl.** ..... **D10/2; D10/15**

(58) **Field of Classification Search** ..... D10/1-29;  
368/276, 285, 316, 317, 10, 278, 79, 12  
See application file for complete search history.

(56) **References Cited**

**U.S. PATENT DOCUMENTS**

3,736,742	A	*	6/1973	Mabuchi et al.	.....	368/10
4,287,584	A	*	9/1981	Tanimoto et al.	.....	368/63
4,449,829	A	*	5/1984	Ikemoto et al.	.....	368/63
4,821,247	A		4/1989	Grooms		
5,089,998	A	*	2/1992	Rund	.....	368/72
5,686,882	A		11/1997	Giani		
5,737,692	A	*	4/1998	Lang	.....	455/66.1
5,764,594	A		6/1998	Berman et al.		
D406,067	S		2/1999	Bouban		
5,883,859	A	*	3/1999	Bentley	.....	368/10

5,894,455	A		4/1999	Sikes		
6,008,720	A	*	12/1999	Hongu et al.	.....	340/309.16
D422,510	S	*	4/2000	Holland	.....	D10/15
D424,950	S	*	5/2000	Martinez	.....	D10/15
6,072,384	A	*	6/2000	Baker	.....	340/309.7
6,151,278	A		11/2000	Najarian		
6,906,983	B1	*	6/2005	Williams et al.	.....	368/10
2002/0122354	A1		9/2002	Williams et al.		

\* cited by examiner

*Primary Examiner*—Lucy Lieberman

(74) *Attorney, Agent, or Firm*—Lawrence J. Gibney, Jr.

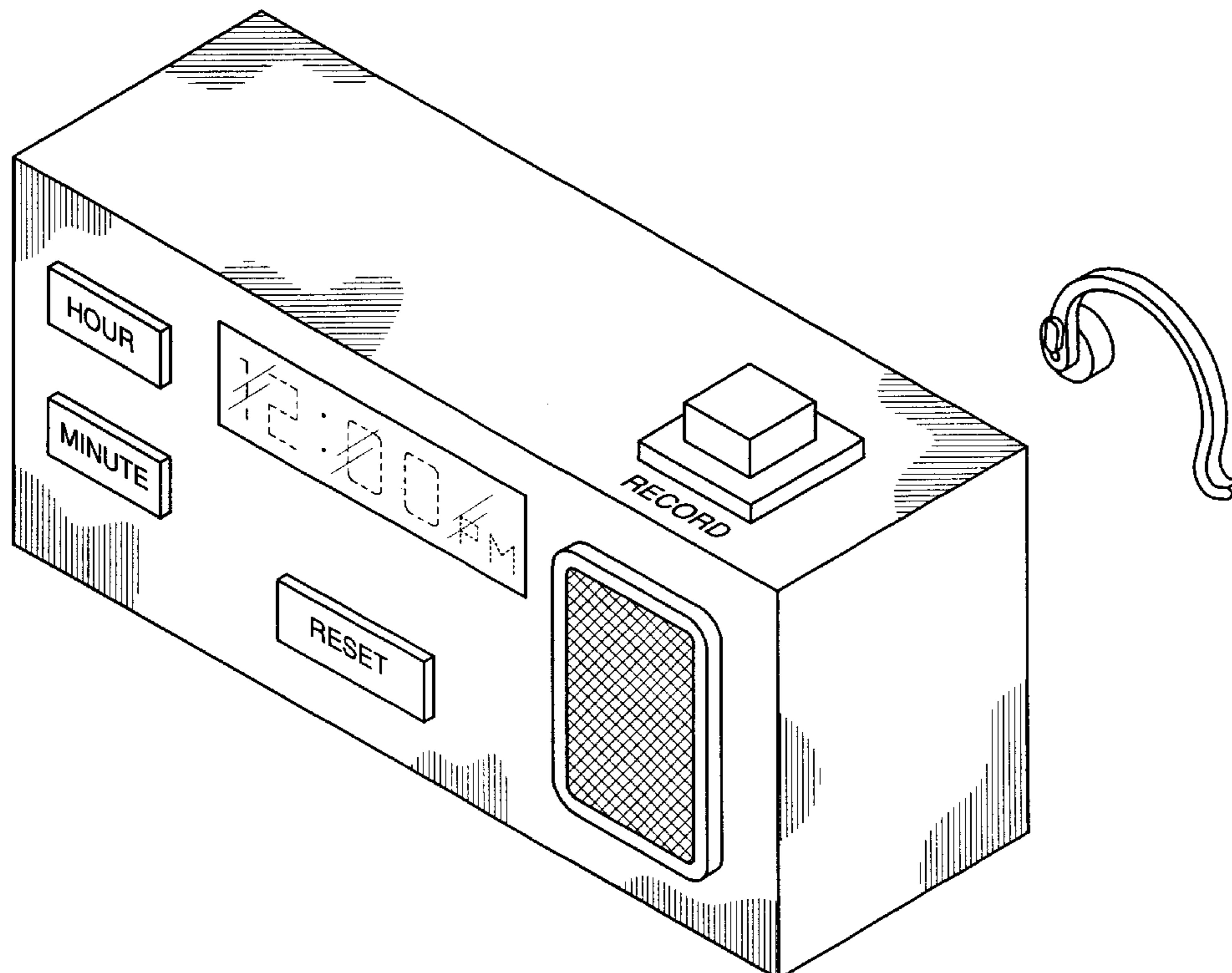
(57) **CLAIM**

The ornamental design for an alarm clock, as shown and described.

**DESCRIPTION**

FIG. 1 is a front view of the device.  
FIG. 2 is a back view of the device.  
FIG. 3 is a left side view of the device.  
FIG. 4 is a right side view of the device.  
FIG. 5 is a top view of the device.  
FIG. 6 is a bottom view of the device; and,  
FIG. 7 is a perspective view of the device.  
The broken lines showing indicia in FIGS. 1 and 7 are for illustrative purposes only and do not form part of the claimed design.

**1 Claim, 4 Drawing Sheets**



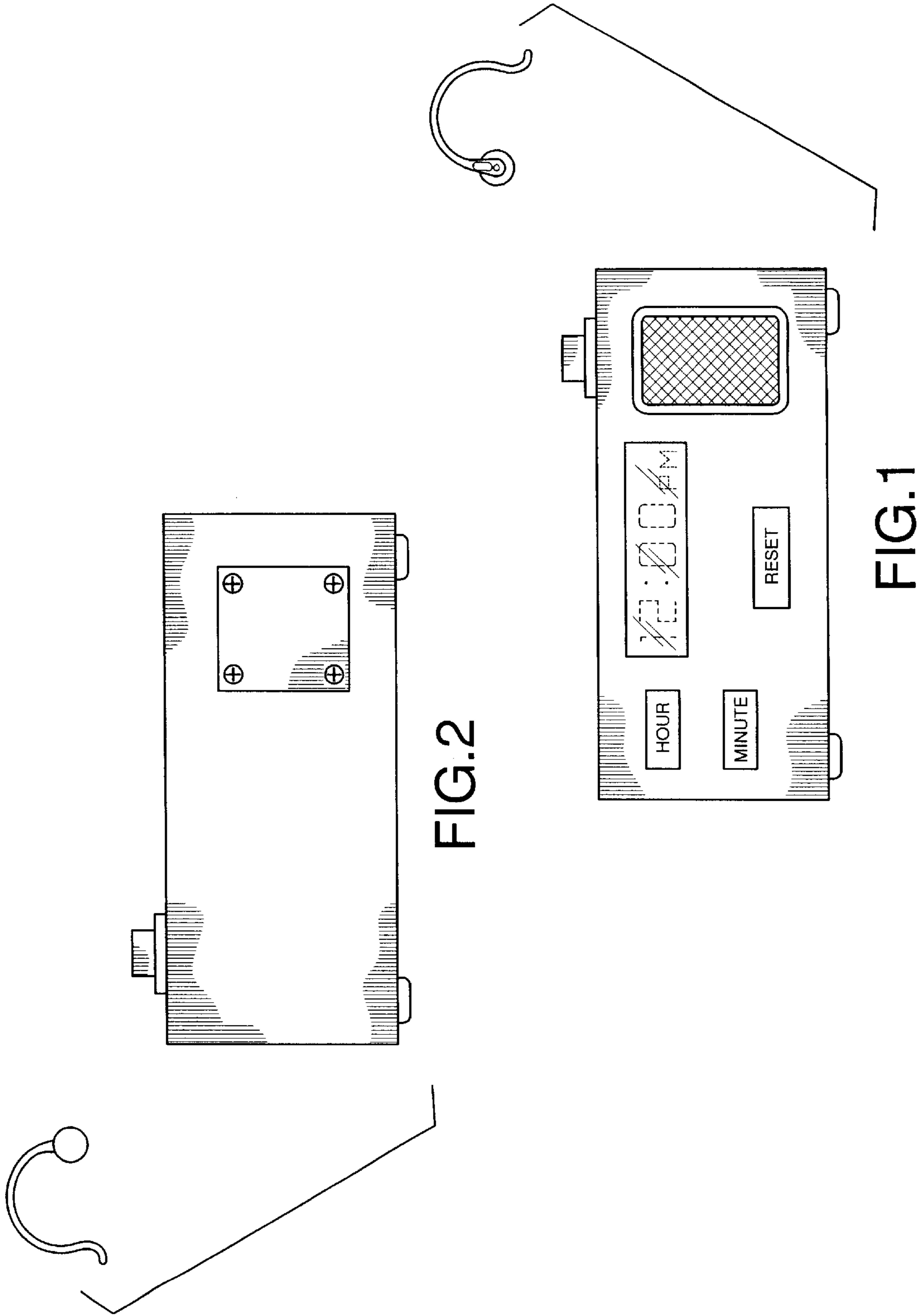


FIG.2

FIG.1

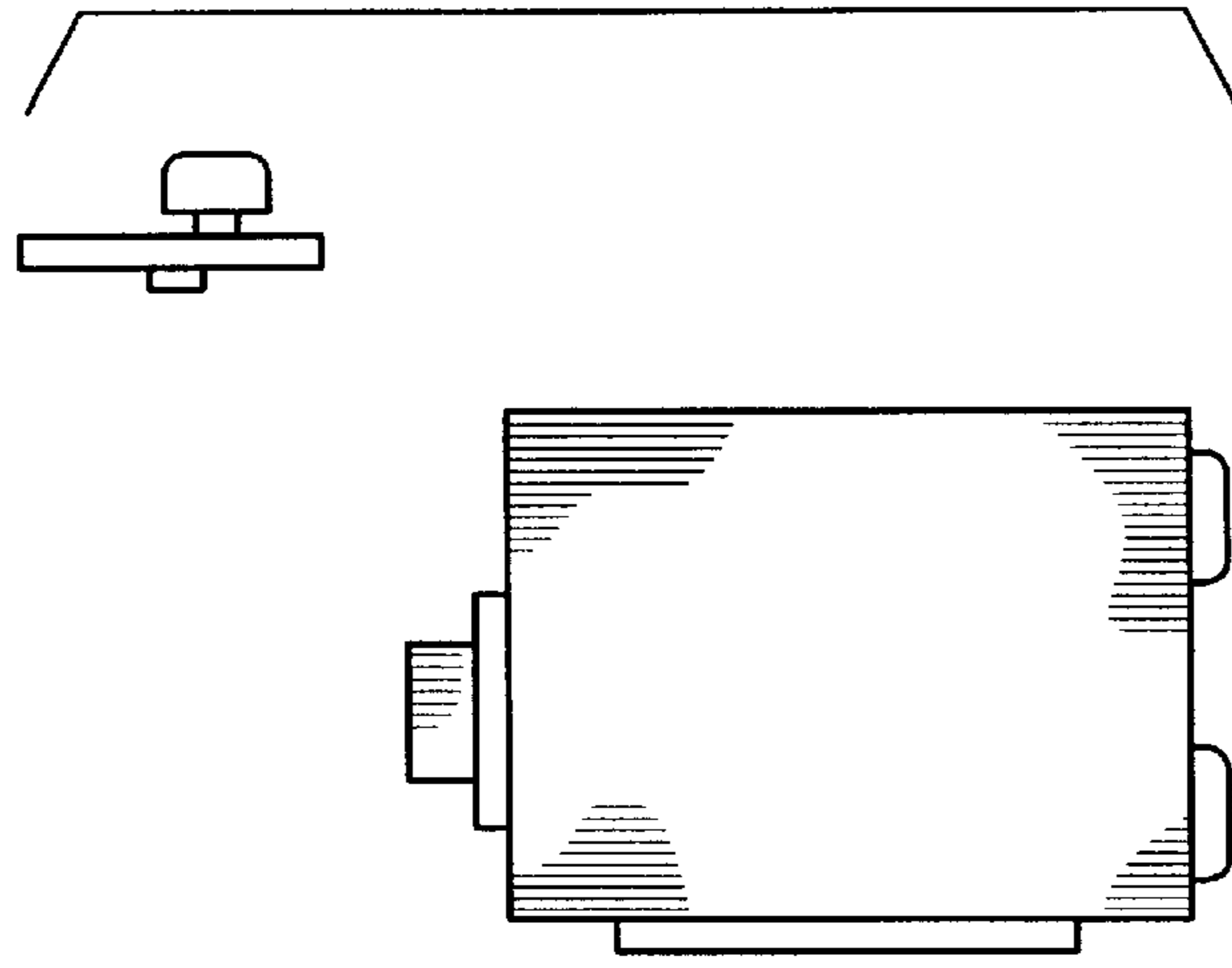


FIG. 4

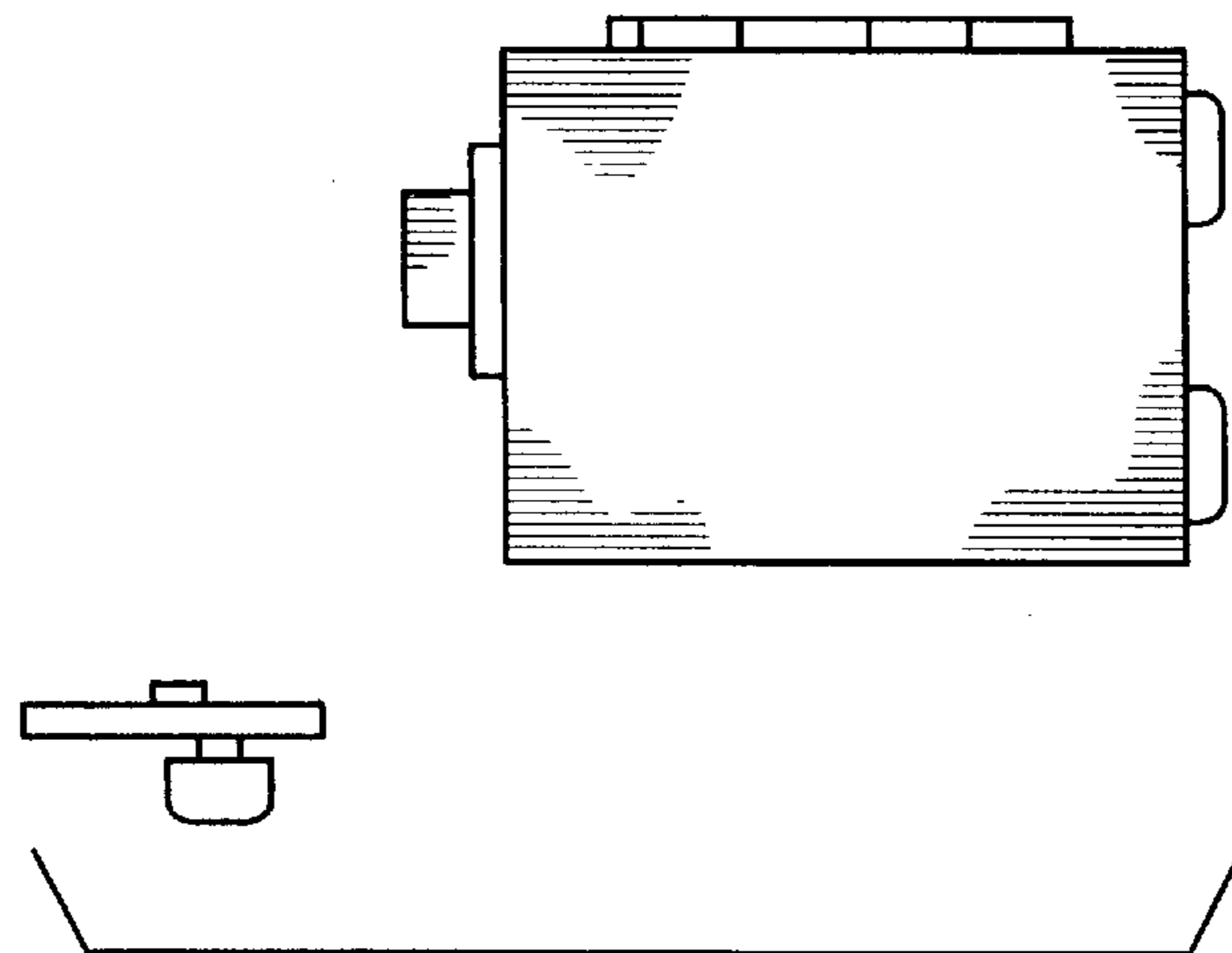


FIG. 3

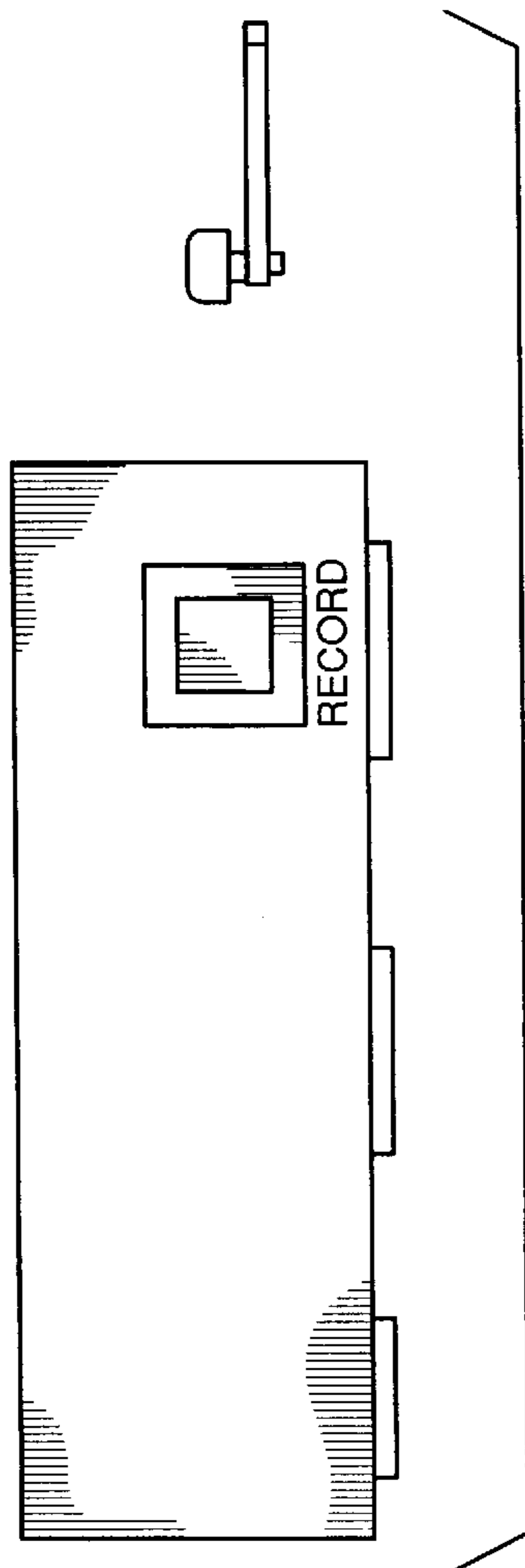


FIG. 5

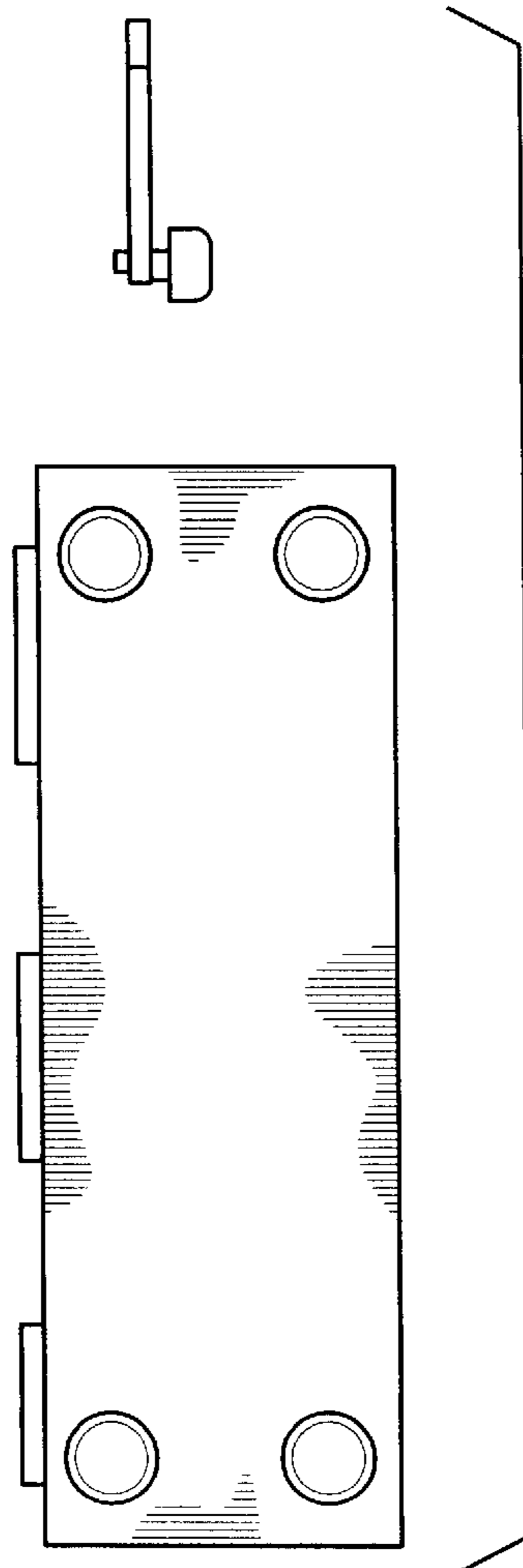


FIG. 6

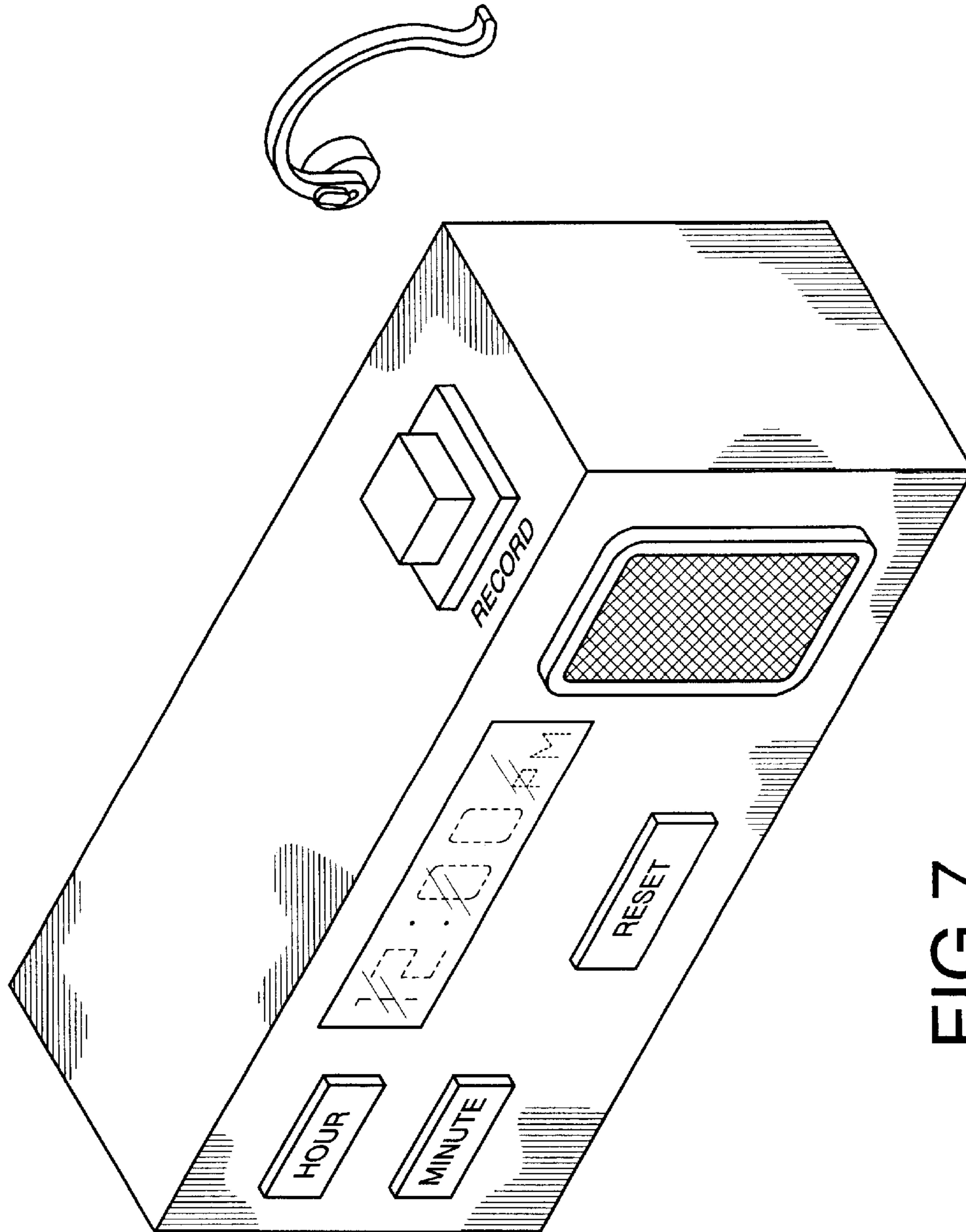


FIG.7