



US00D533078S

(12) **United States Design Patent** (10) **Patent No.:** **US D533,078 S**
Lebras (45) **Date of Patent:** **** Dec. 5, 2006**

(54) **CARTON FOR BOTTLES**
(75) Inventor: **Philippe Lebras**, Chateauroux (FR)
(73) Assignee: **MeadWestvaco Packaging Systems, LLC**, Stamford, CT (US)
(**) Term: **14 Years**

5,199,634 A 4/1993 Luce et al.
5,657,872 A 8/1997 Leftwich et al.
D395,004 S * 6/1998 Shamoan D9/430
D396,133 S * 7/1998 Stein D28/73
5,915,617 A * 6/1999 Gasper 229/109
5,950,911 A * 9/1999 Naughton et al. 229/109
D427,117 S * 6/2000 Kawamura et al. D12/583
6,082,614 A 7/2000 Schmidt
6,598,785 B1 * 7/2003 Quaintance 229/191

(21) Appl. No.: **29/218,706**

FOREIGN PATENT DOCUMENTS

(22) Filed: **Dec. 6, 2004**

EP 0 235 852 A2 9/1987
FR 2446232 A 8/1980
GB 372 119 5/1932
GB 406 511 3/1934
GB 452 143 8/1936
GB 1 262 777 2/1972
WO WO 03/070580 A1 8/2003
WO WO 2004/002837 A3 1/2004

(51) **LOC (8) Cl.** **09-03**

(52) **U.S. Cl.** **D9/751**

(58) **Field of Classification Search** D9/430-434,
D9/414, 737, 751, 753-755; 229/109, 112,
229/117.09, 117.12, 117.13, 117.14, 117.26,
229/164, 100, 103, 122, 5.5, 906, 117.16,
229/117.9, 117.17, 103.3, 116.1; 206/756,
206/139; 220/23.2, 4.03, DIG. 2, DIG. 15,
220/507, 509, 512, 528

See application file for complete search history.

* cited by examiner

Primary Examiner—Stella Reid
Assistant Examiner—Mark Goodwin
(74) *Attorney, Agent, or Firm*—Tsugihiko Suzuki

(56) **References Cited**

(57) **CLAIM**

U.S. PATENT DOCUMENTS

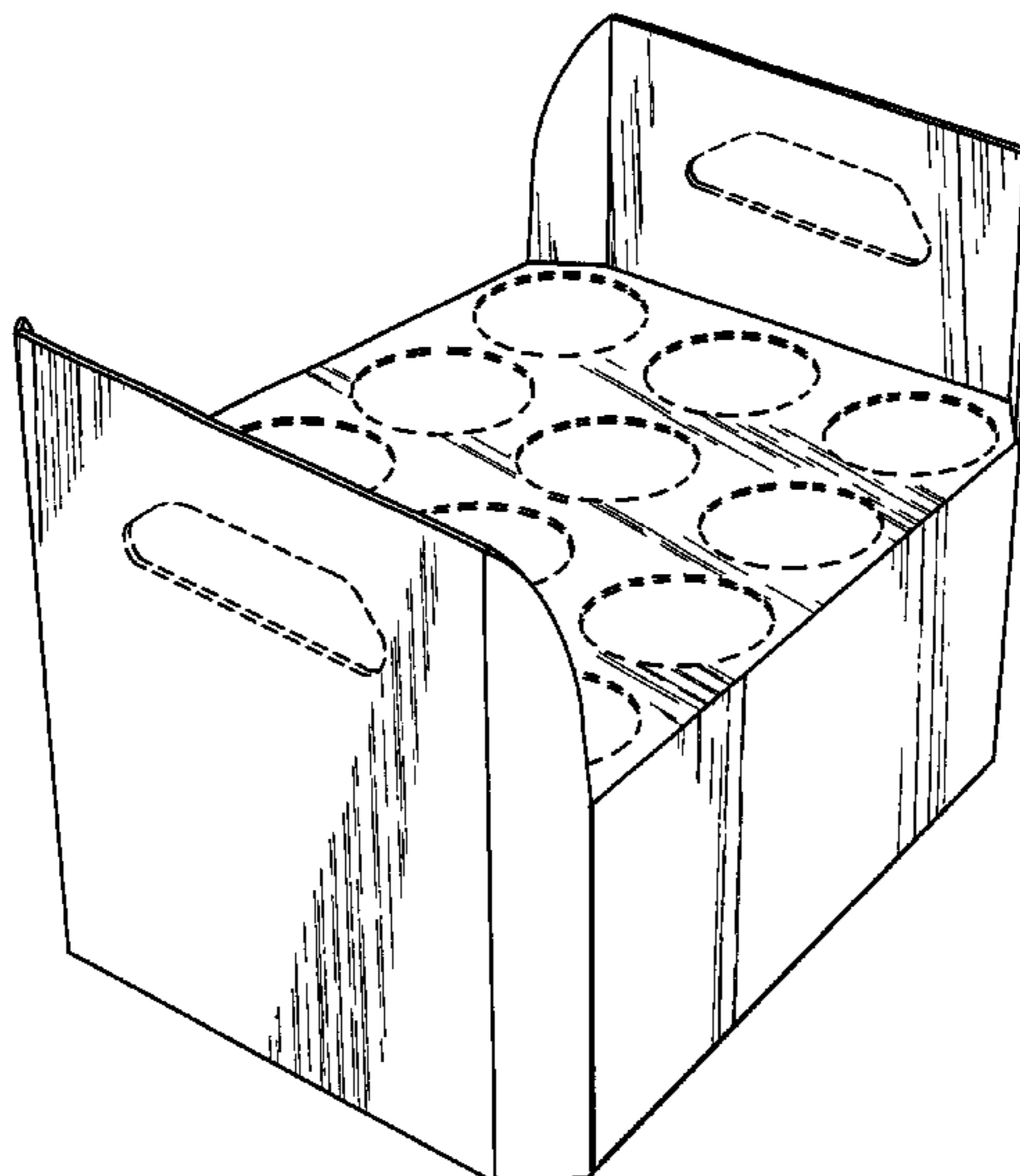
The ornamental design for a carton for bottles, as shown and described.

1,482,727 A * 2/1924 Borchers 229/164.1
1,693,906 A * 12/1928 Lippincott 220/512
1,812,311 A 6/1931 Wolf
2,116,431 A 5/1938 Gullo et al.
2,421,748 A 6/1947 Fink
D162,988 S * 4/1951 Ringler D9/751
2,597,848 A 5/1952 Reeser
2,901,155 A 8/1959 Vines
D227,191 S * 6/1973 Cape D3/312
4,331,287 A 5/1982 Wharton, Jr.
4,349,147 A 9/1982 Jensen
4,582,198 A 4/1986 Ditton
4,871,067 A 10/1989 Valenti
4,886,164 A 12/1989 Stein et al.
4,981,254 A * 1/1991 Depper 229/117.14
5,005,759 A 4/1991 Bouche

DESCRIPTION

FIG. 1 is a perspective view of a carton for bottles showing my new design;
FIG. 2 is a top plan view thereof;
FIG. 3 is a bottom plan view thereof;
FIG. 4 is a right side elevation view thereof; the left side elevation being a mirror image thereof; and,
FIG. 5 is a front elevation thereof; the rear elevation being a mirror image thereof.
The broken lines in FIGS. 1, 2 and 5 are for illustrative purposes only and form no part of the claimed design.

1 Claim, 2 Drawing Sheets



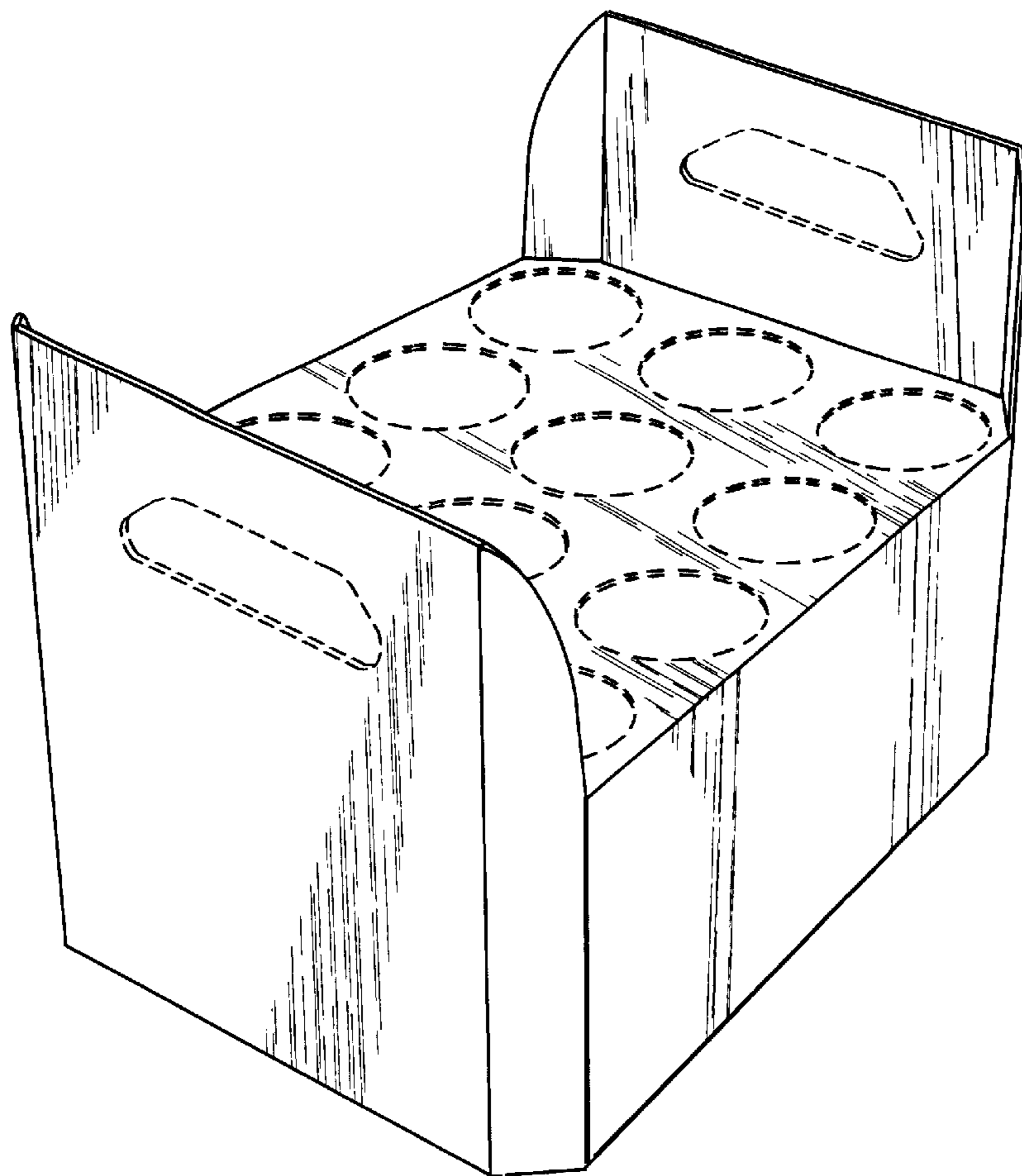


FIG. 1

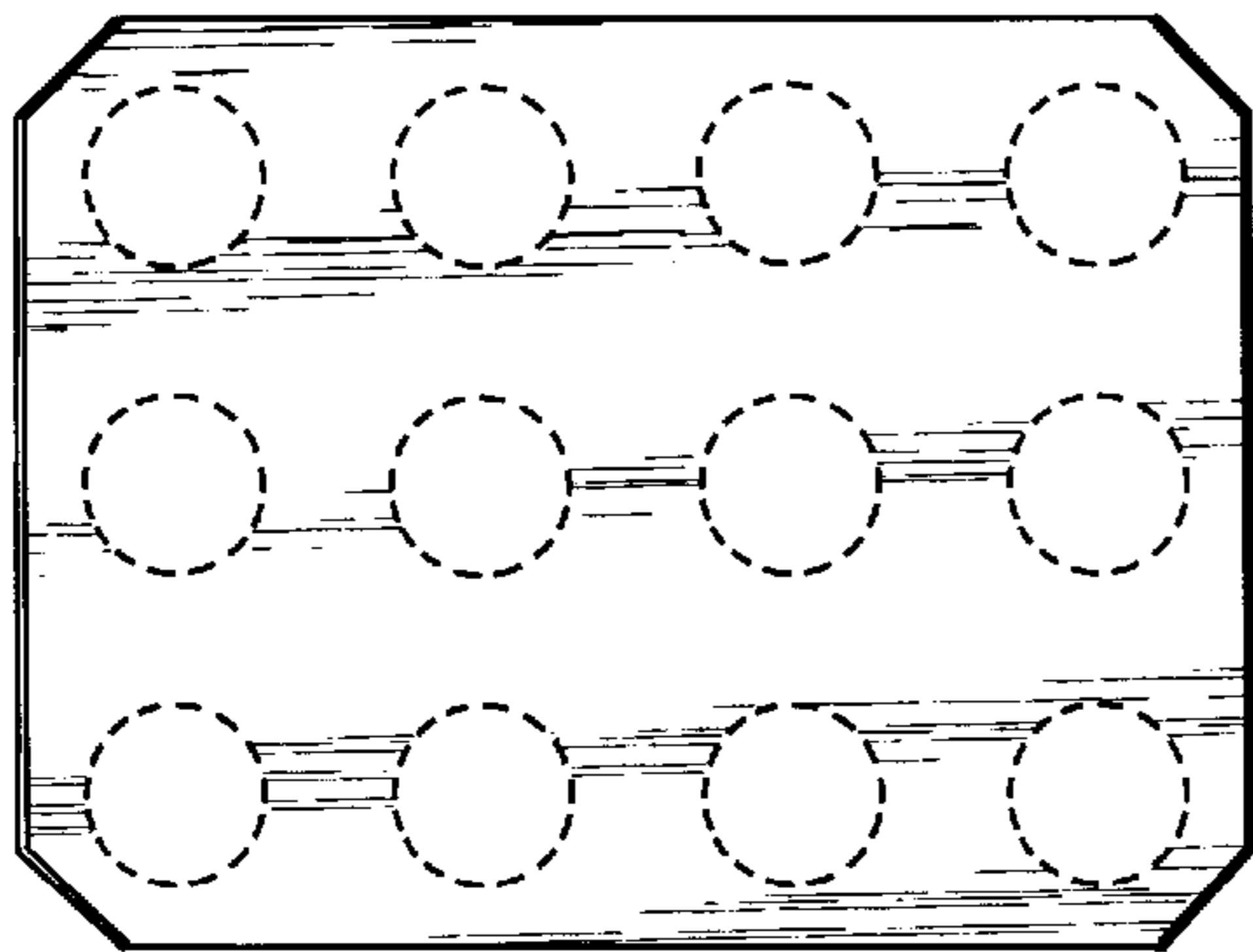


FIG. 2

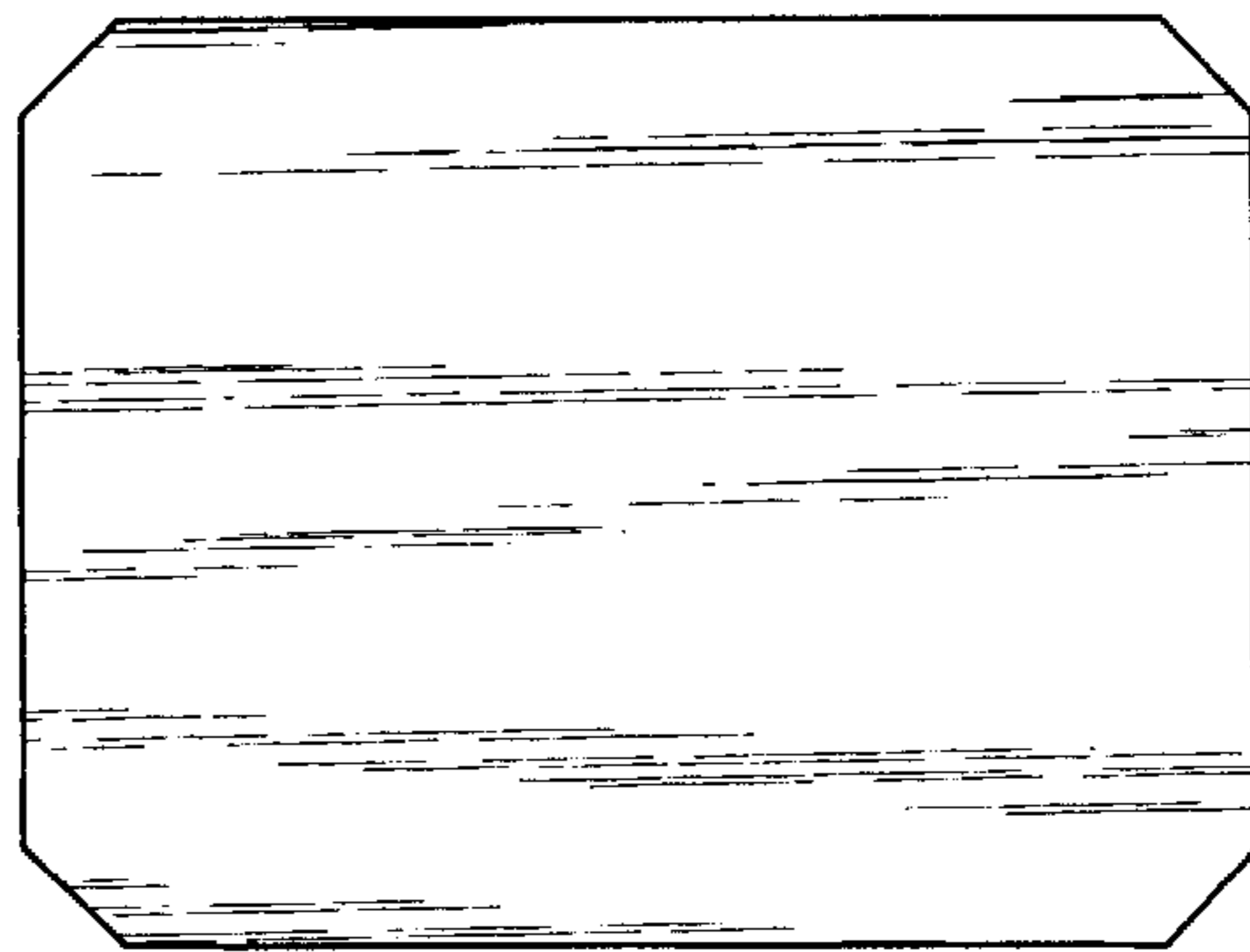


FIG. 3

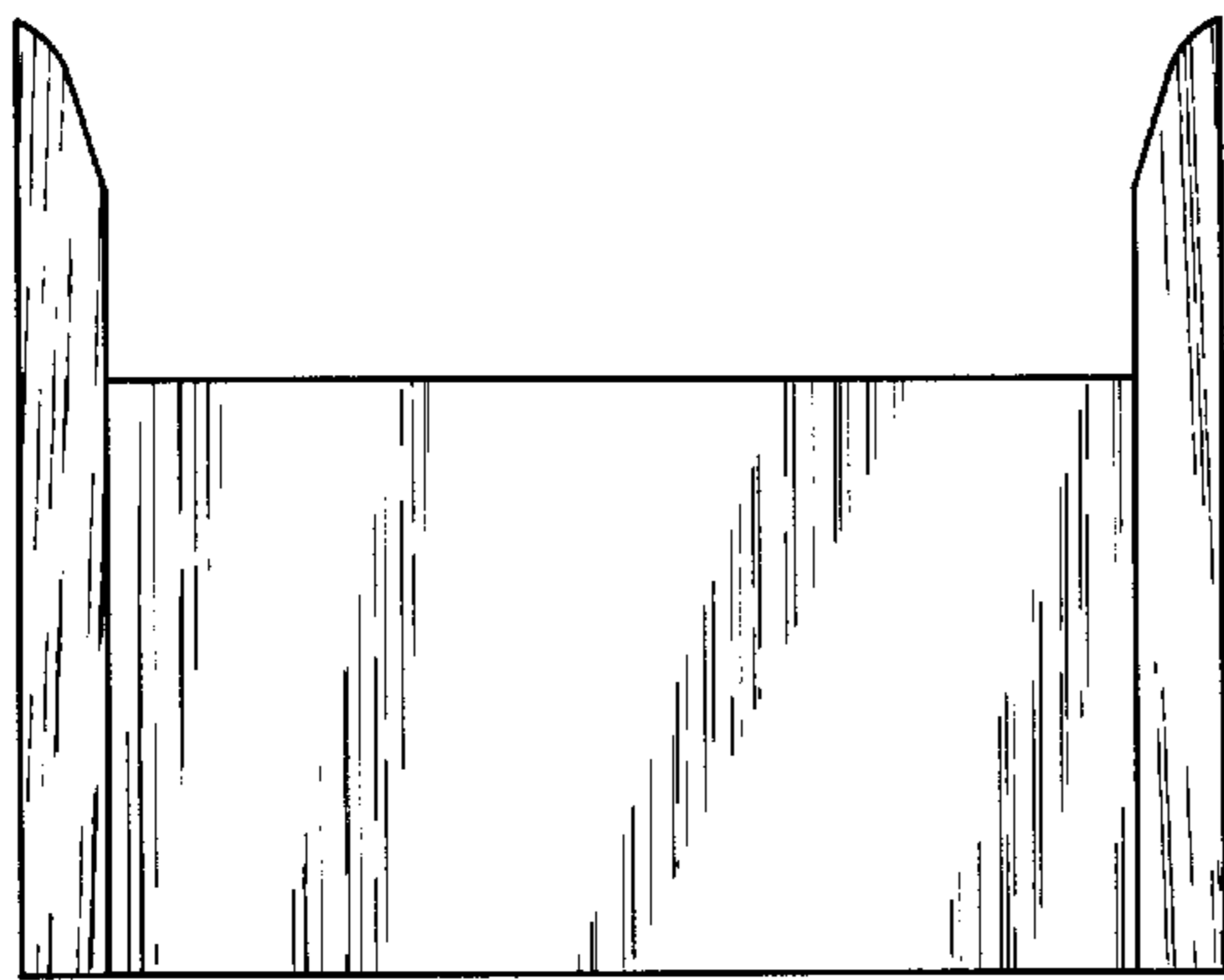


FIG. 4

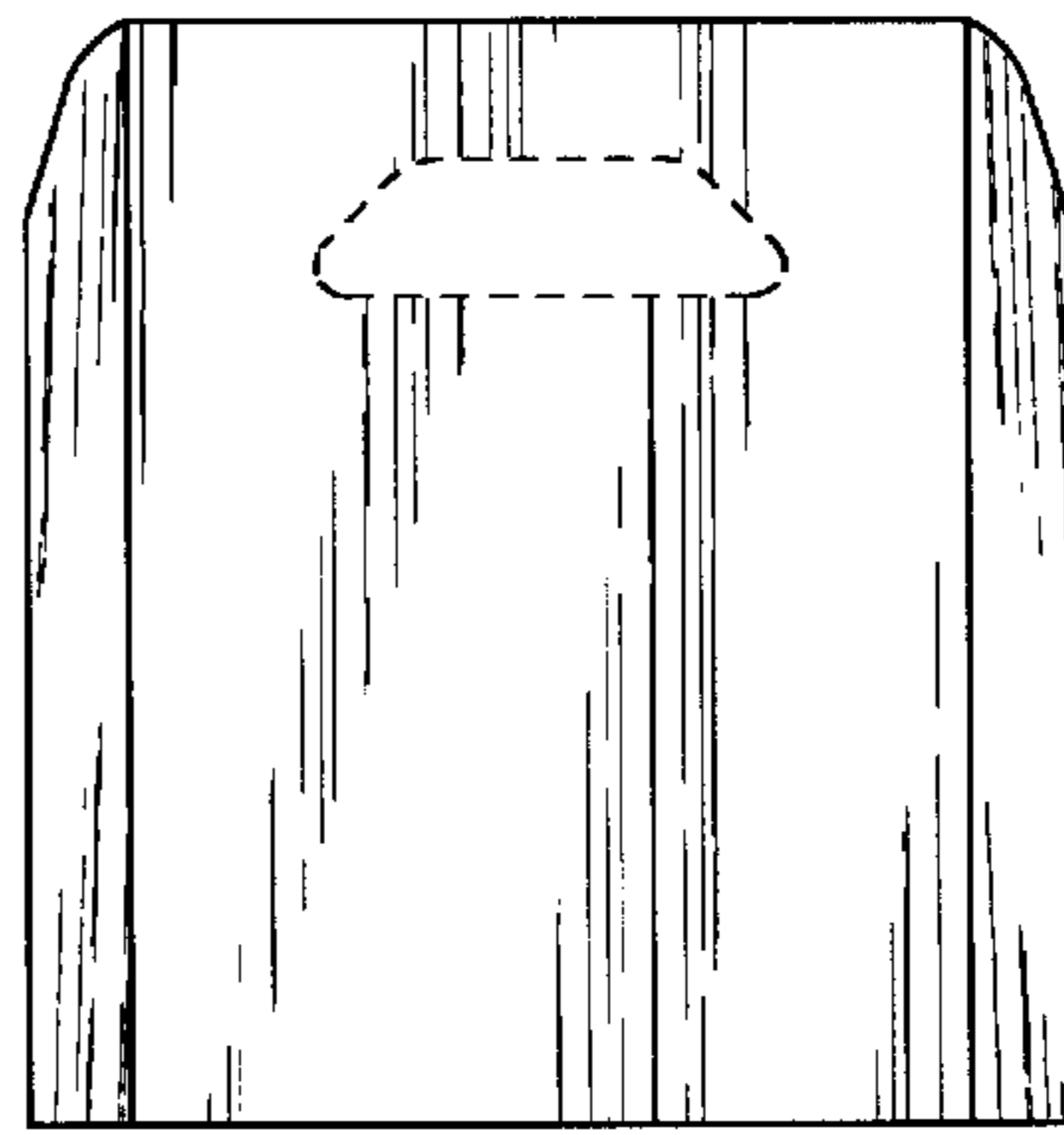


FIG. 5