



US00D533072S

(12) **United States Design Patent** (10) **Patent No.:** **US D533,072 S**  
**Kelly** (45) **Date of Patent:** **\*\* Dec. 5, 2006**

(54) **BOTTLE**

D471,467 S 3/2003 Kokubo et al.  
D497,314 S 10/2004 Dea

(75) Inventor: **Sheila Marie Kelly**, Cincinnati, OH (US)

*Primary Examiner*—Ian Simmons  
*Assistant Examiner*—Dana Sipos

(73) Assignee: **The Procter & Gamble Company**, Cincinnati, OH (US)

(74) *Attorney, Agent, or Firm*—Emelyn L. Hiland

(\*\*) Term: **14 Years**

(57) **CLAIM**

The ornamental design for a bottle, as shown and described.

(21) Appl. No.: **29/256,366**

**DESCRIPTION**

(22) Filed: **Mar. 20, 2006**

**Related U.S. Application Data**

(63) Continuation-in-part of application No. 29/219,708, filed on Dec. 21, 2004, and a continuation-in-part of application No. 29/219,709, filed on Dec. 21, 2004, and a continuation-in-part of application No. 29/219,711, filed on Dec. 21, 2004.

FIG. 1 is a front, perspective view of an opaque bottle incorporating my new design;

FIG. 2 is a front elevational view thereof, the rear elevational view being identical;

FIG. 3 is a side elevational view thereof, the opposite side elevational view being identical;

FIG. 4 is a top plan view thereof;

FIG. 5 is a front, perspective view of a second embodiment, showing a translucent bottle;

FIG. 6 is a front elevational view thereof, the rear elevational view being identical;

FIG. 7 is a side elevational view thereof, the opposite side elevational view being identical;

FIG. 8 is a top plan view thereof;

FIG. 9 is a front, perspective view of a third embodiment of a blue, opaque bottle, the color being represented by the solid horizontal lines;

FIG. 10 is a front elevational view thereof, the rear elevational view being identical;

FIG. 11 is a side elevational view thereof, the opposite side elevational view being identical;

FIG. 12 is a top plan view thereof;

FIG. 13 is a front, perspective view of a fourth embodiment of a translucent, blue bottle, the color being represented by the solid horizontal lines;

FIG. 14 is a front elevational view thereof, the rear elevational view being identical;

FIG. 15 is a side elevational view thereof, the opposite side elevational view being identical; and,

FIG. 16 is a top plan view thereof.

(51) **LOC (8) Cl.** ..... **09-01**

(52) **U.S. Cl.** ..... **D9/566; D9/571; D9/573**

(58) **Field of Classification Search** ..... D9/516,  
D9/543–545, 549, 553–554, 558, 566–568,  
D9/572–575, 682, 685–687, 693–694; 215/379,  
215/381–382, 384–386; 220/660, 662, 669,  
220/675–676

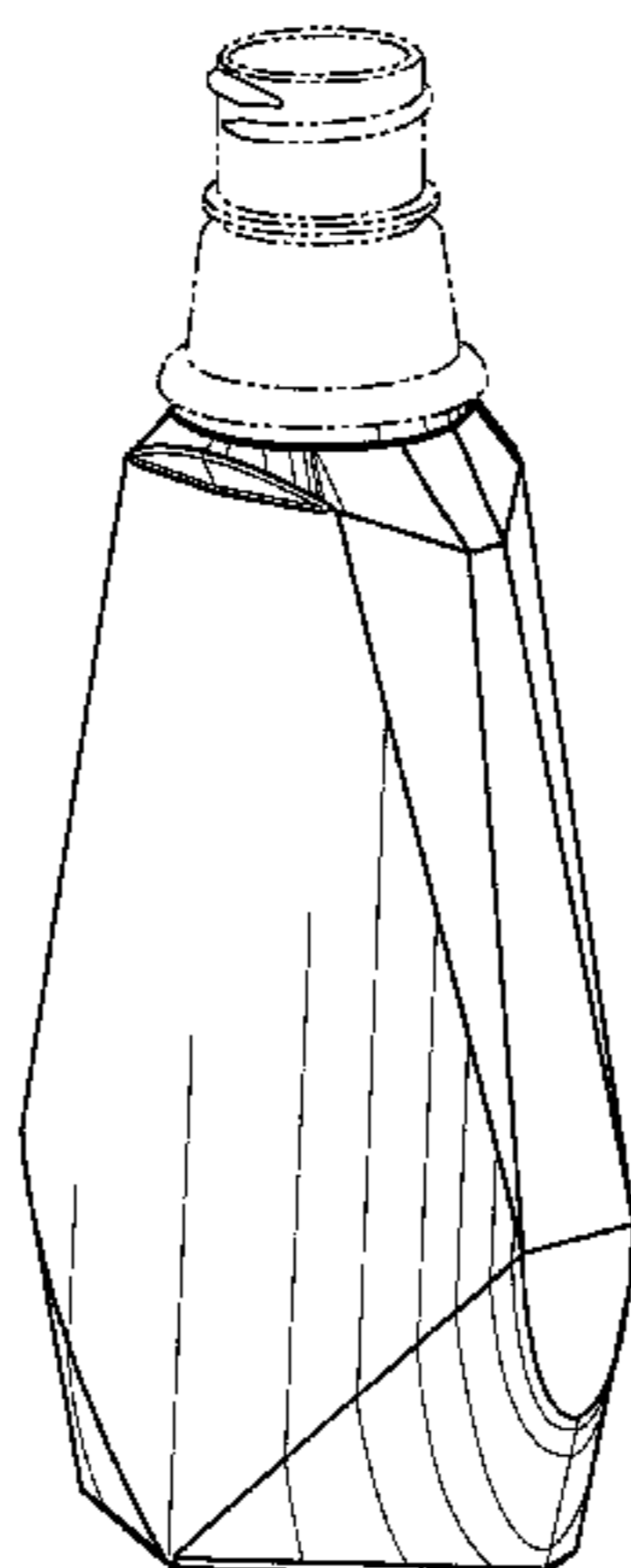
See application file for complete search history.

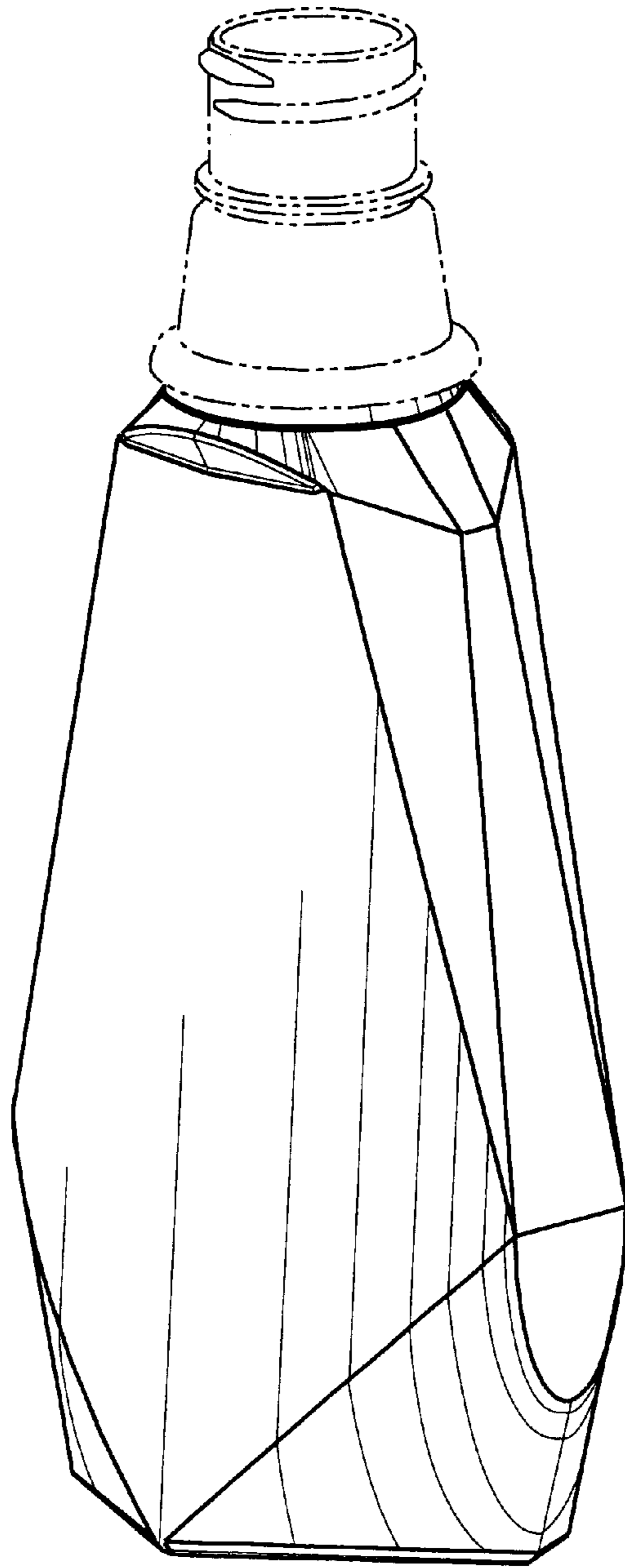
(56) **References Cited**

**U.S. PATENT DOCUMENTS**

D43,507 S	2/1913	Nelson
D62,683 S	7/1923	Weeks
D175,447 S	8/1955	Tucker
D194,809 S	3/1963	DuPree
D230,709 S	3/1974	Cooper
D236,586 S	9/1975	McDonald
D257,125 S	9/1980	Smali
D276,791 S	12/1984	Field
D285,054 S	8/1986	Stones
D310,484 S	9/1990	Daucourt
D311,865 S	11/1990	Rohmeder
D328,247 S	7/1992	Robineau
D366,620 S	1/1996	Kuzma

**1 Claim, 8 Drawing Sheets**





*Fig. 1*

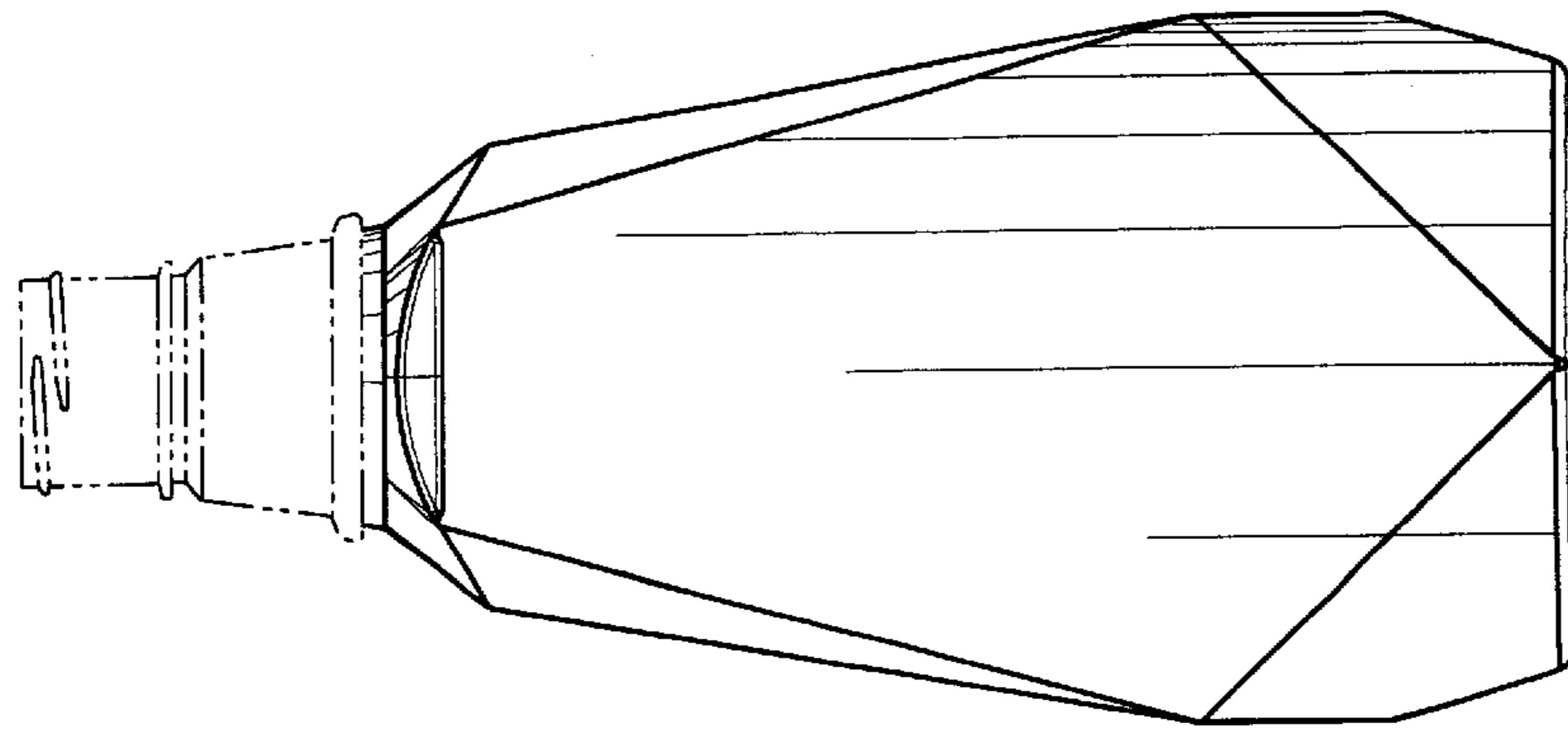


Fig. 2

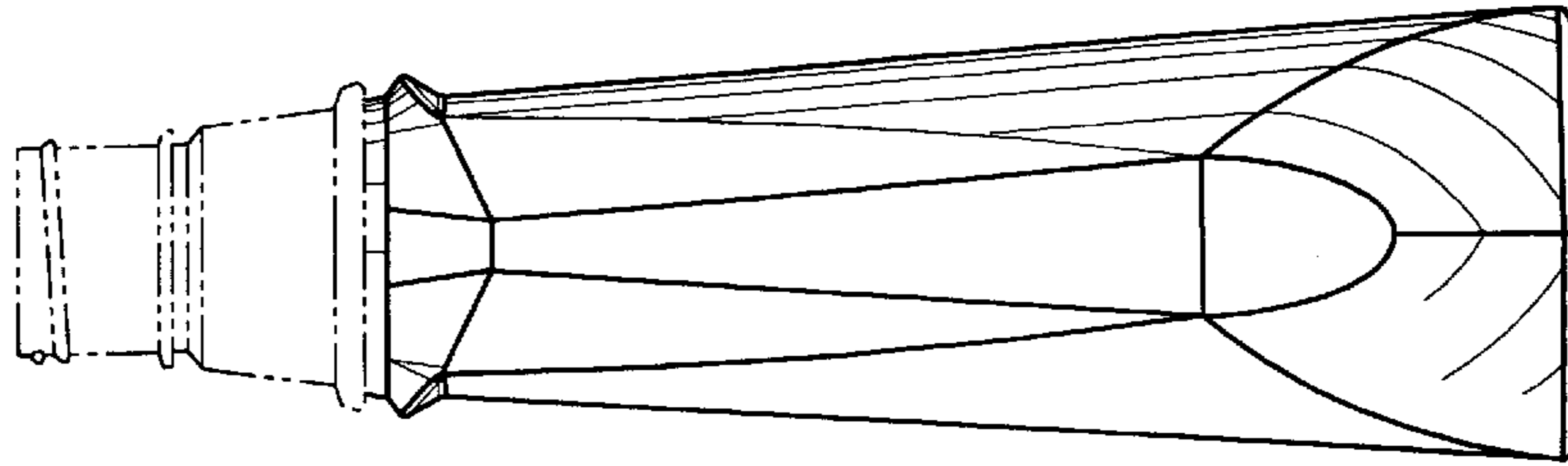


Fig. 3

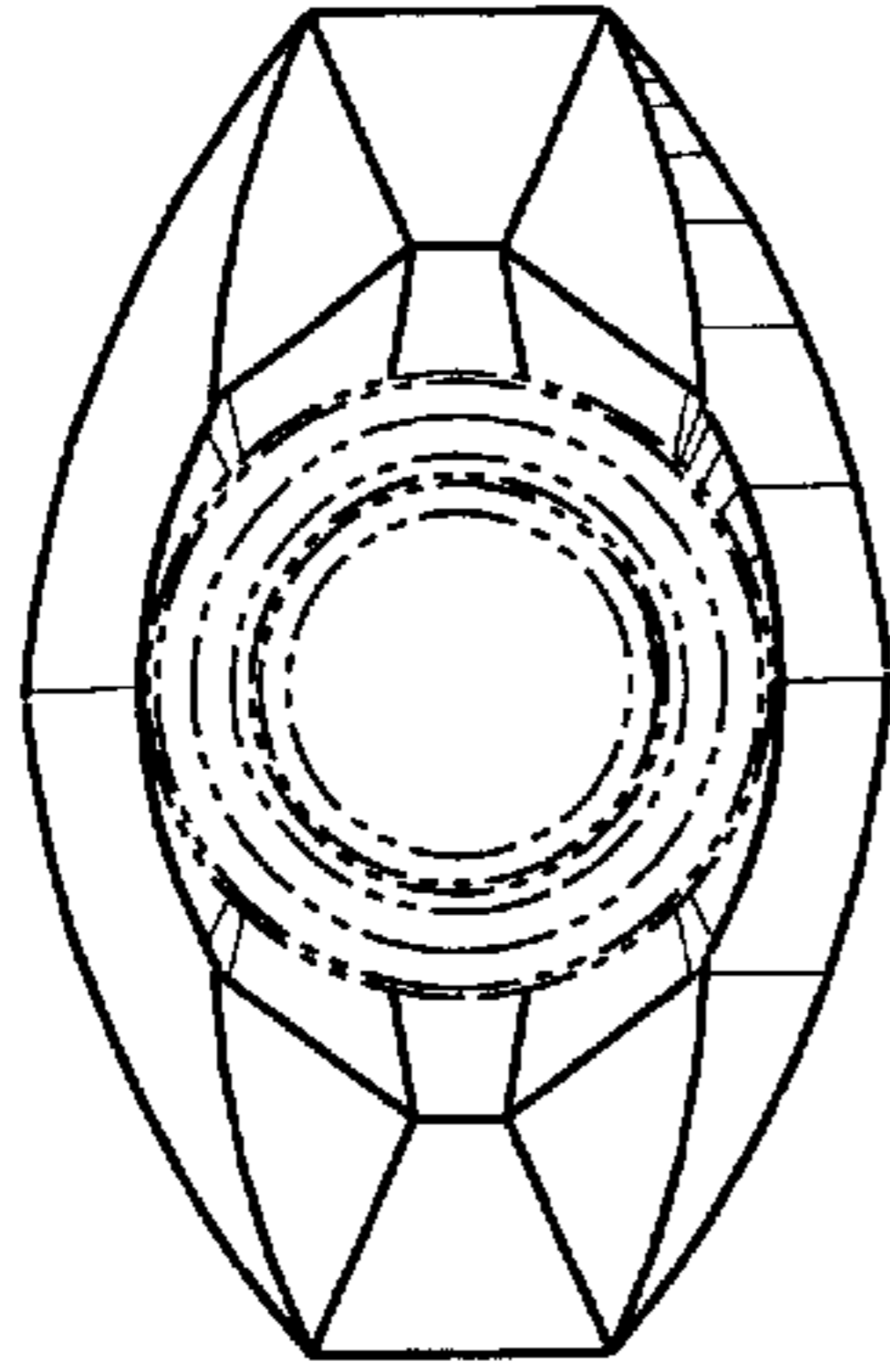
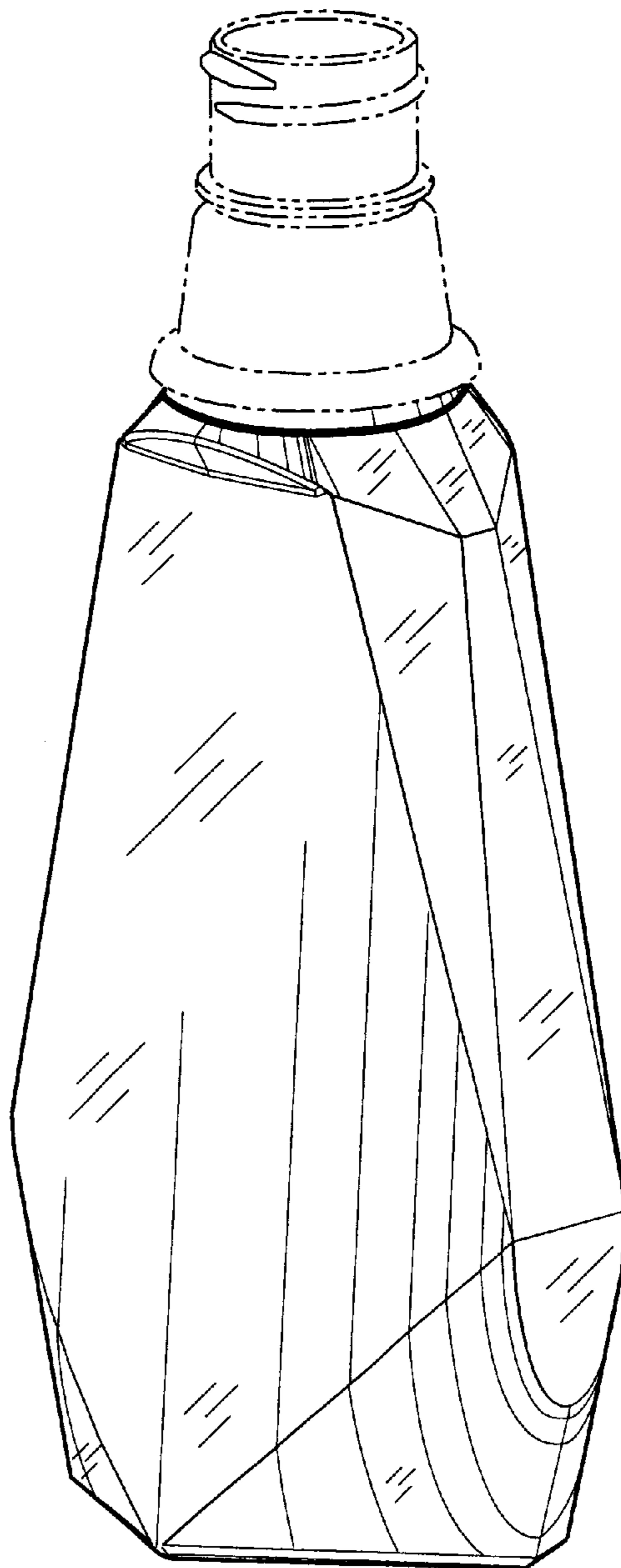
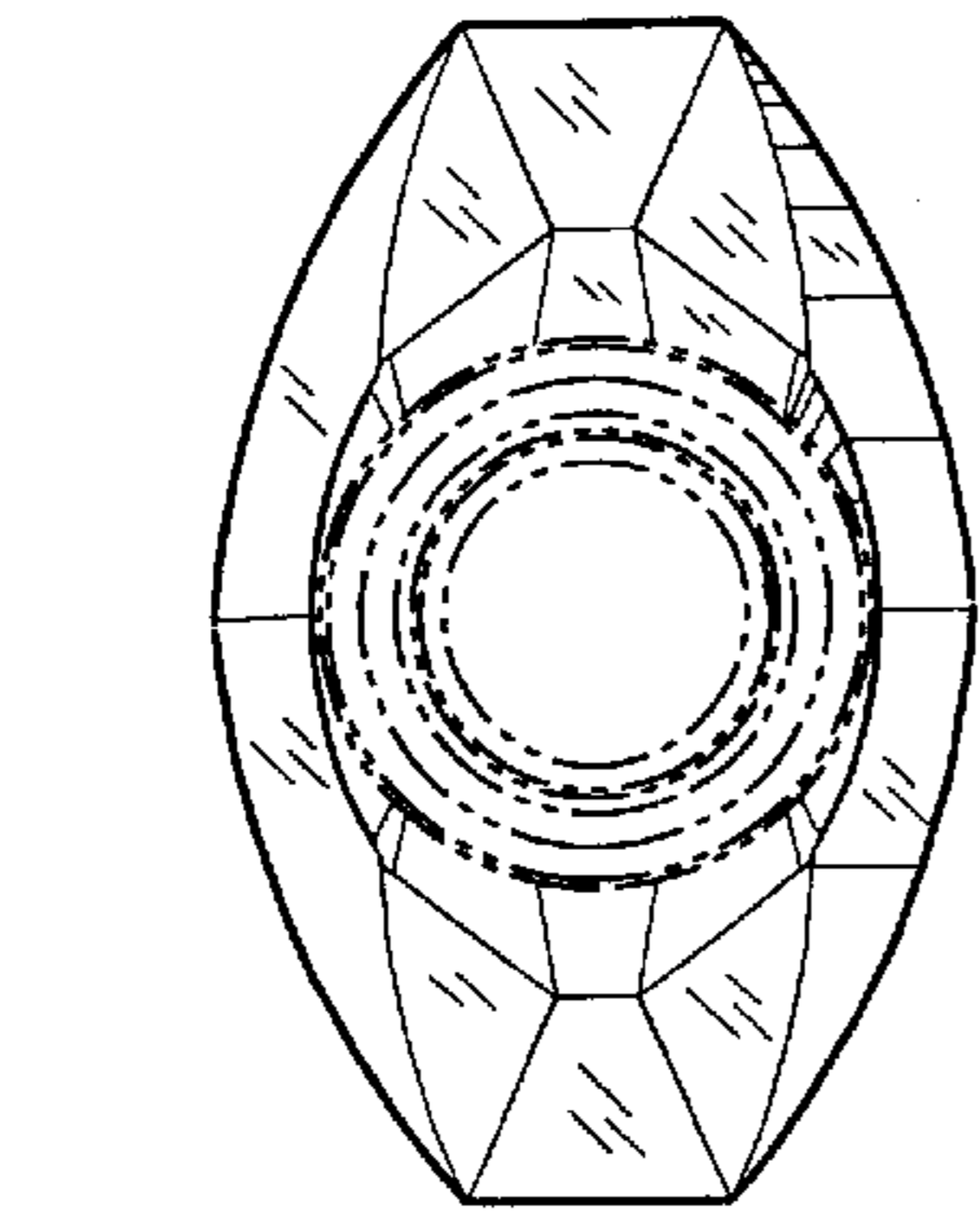


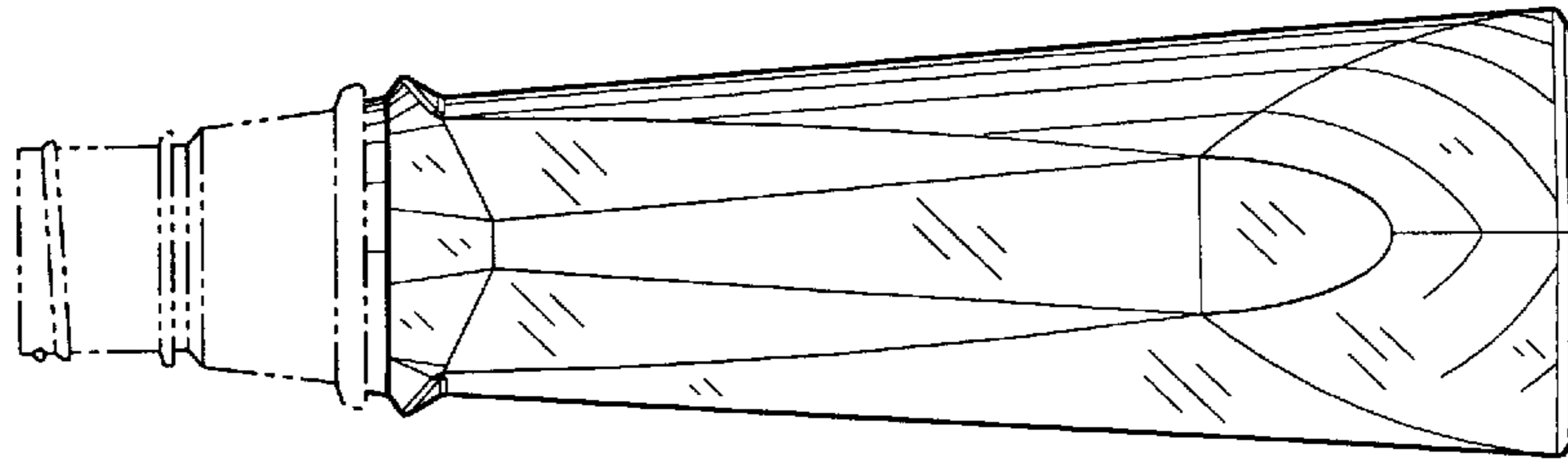
Fig. 4



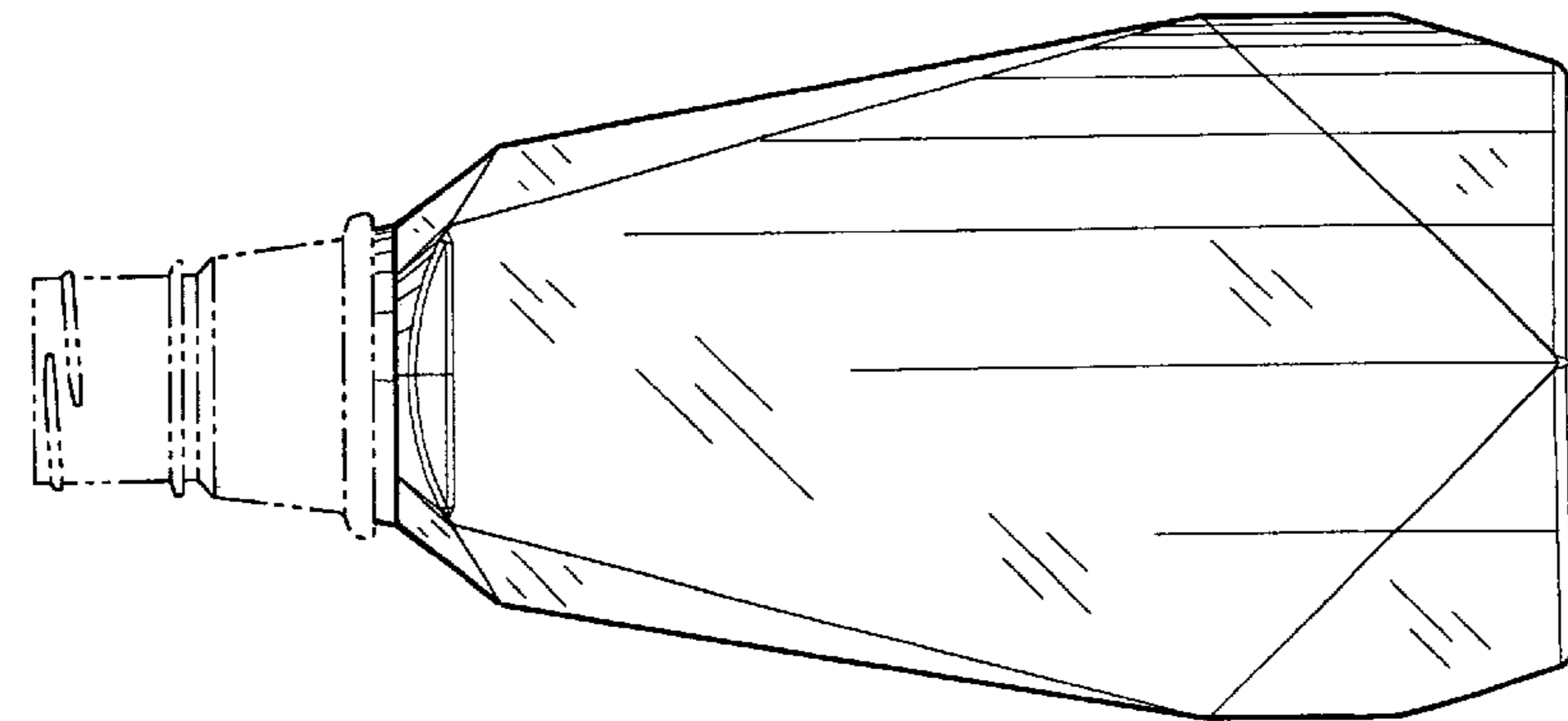
*Fig. 5*



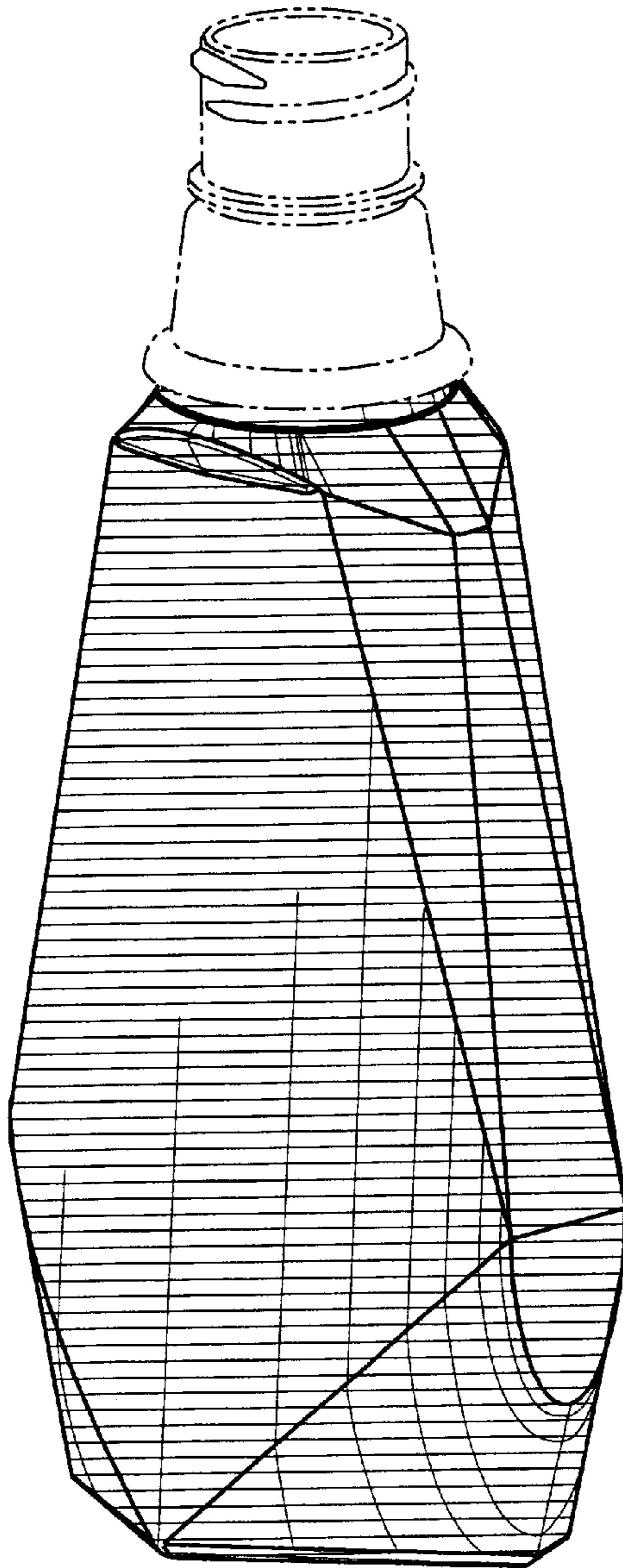
*Fig. 8*



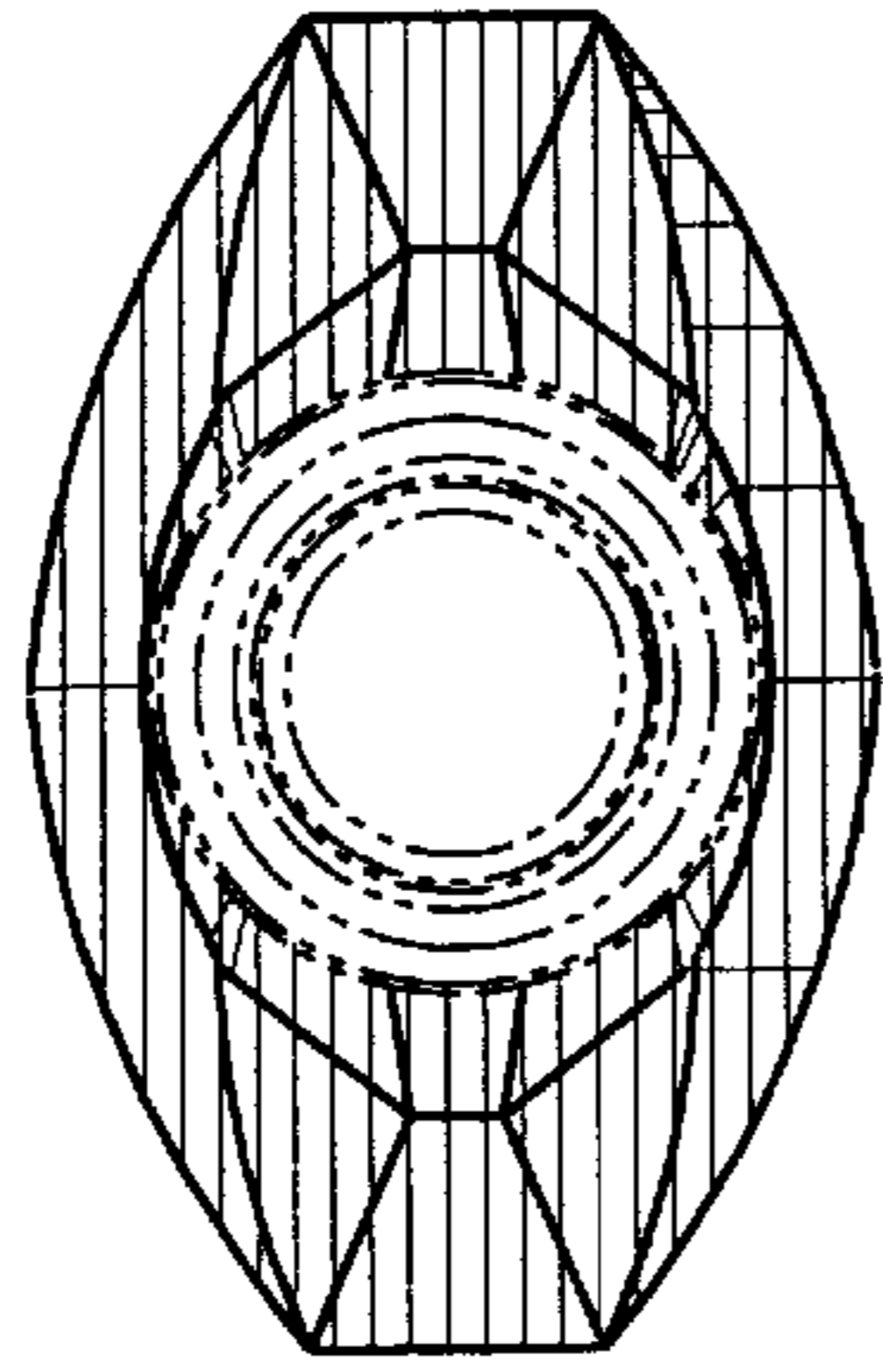
*Fig. 7*



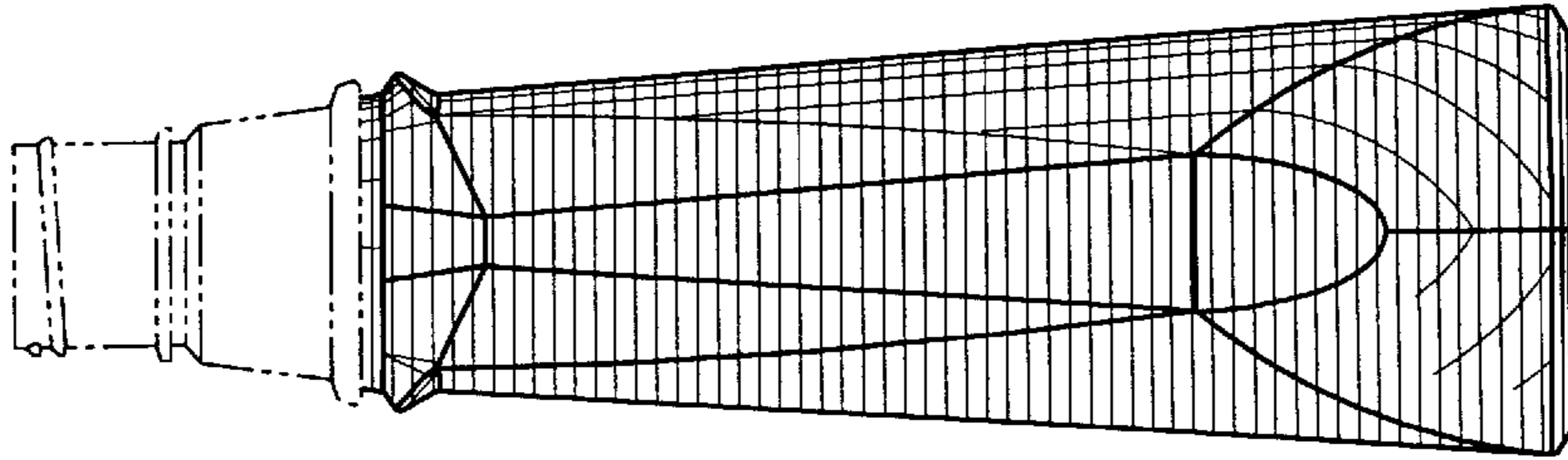
*Fig. 6*



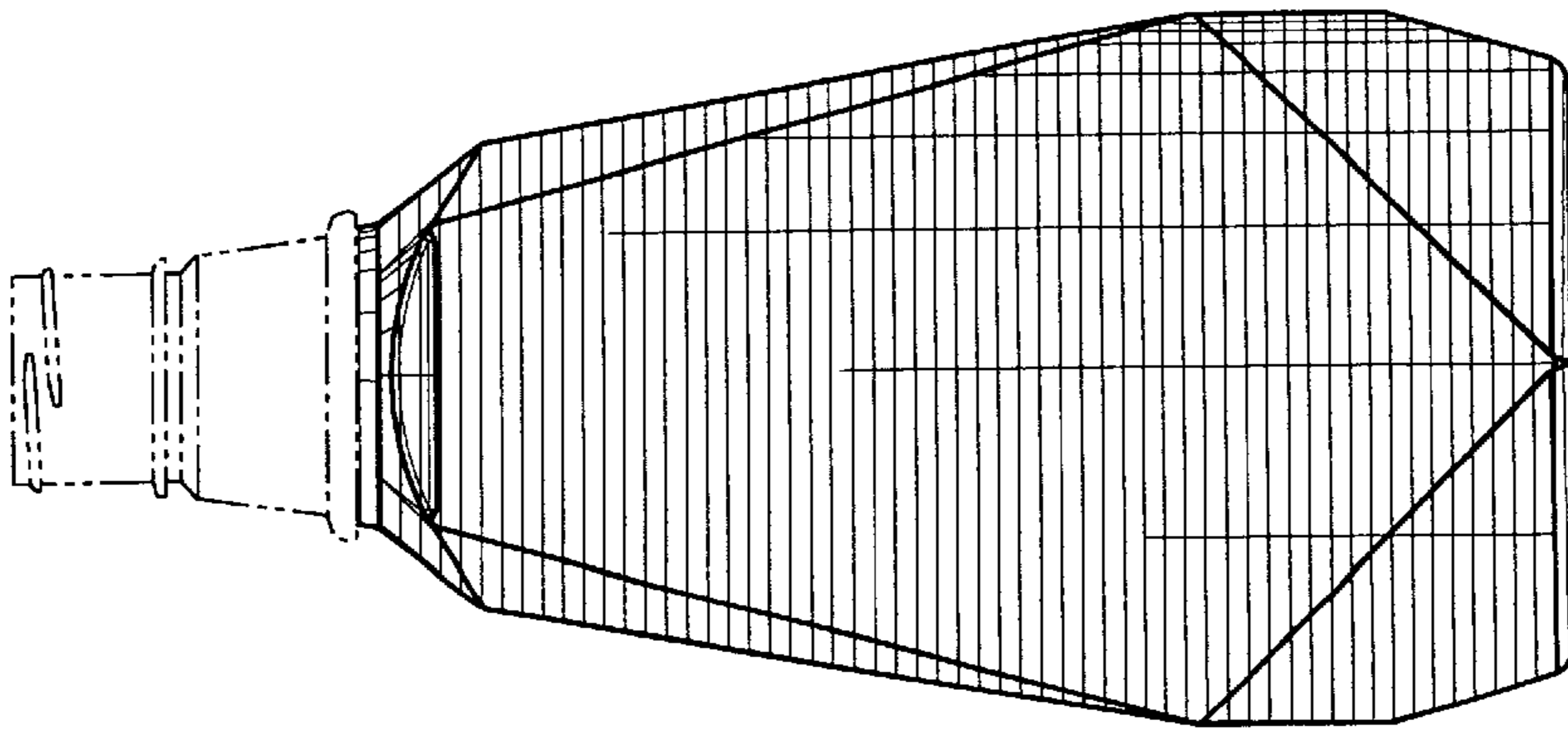
*Fig. 9*



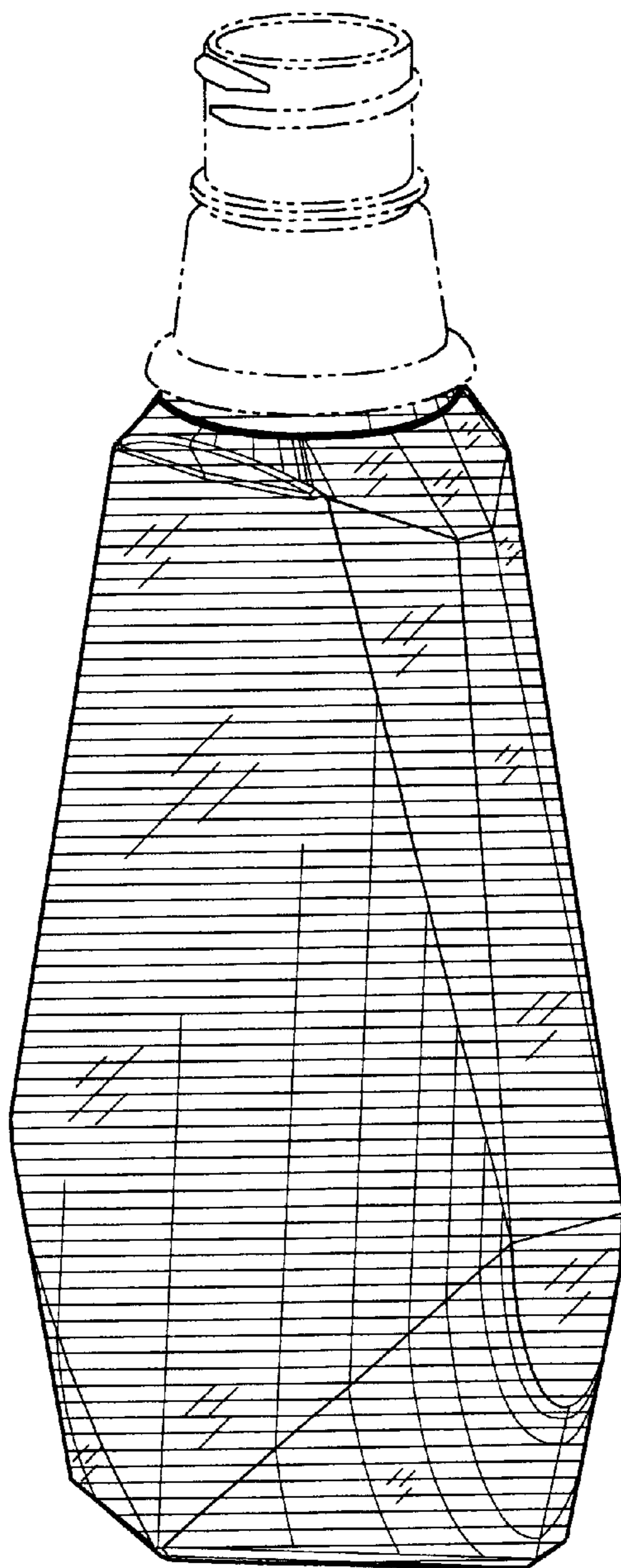
*Fig. 12*



*Fig. 11*

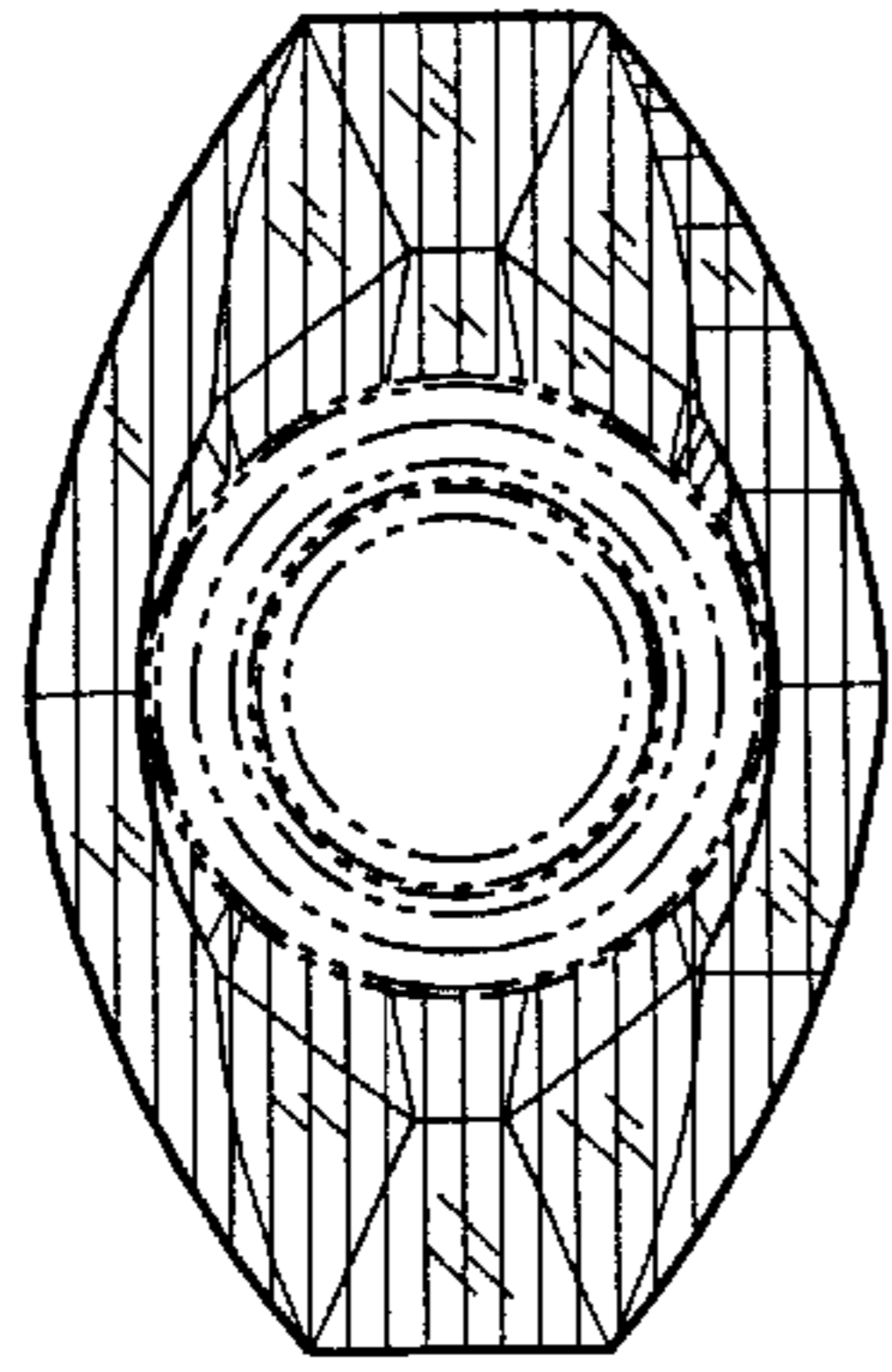


*Fig. 10*

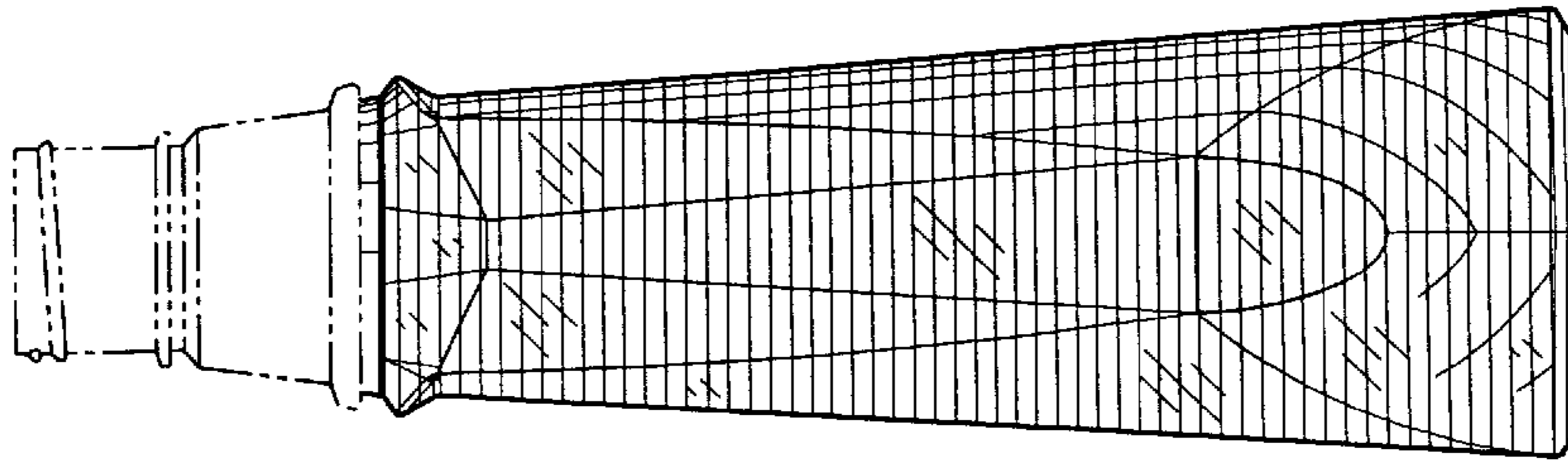


*Fig. 13*

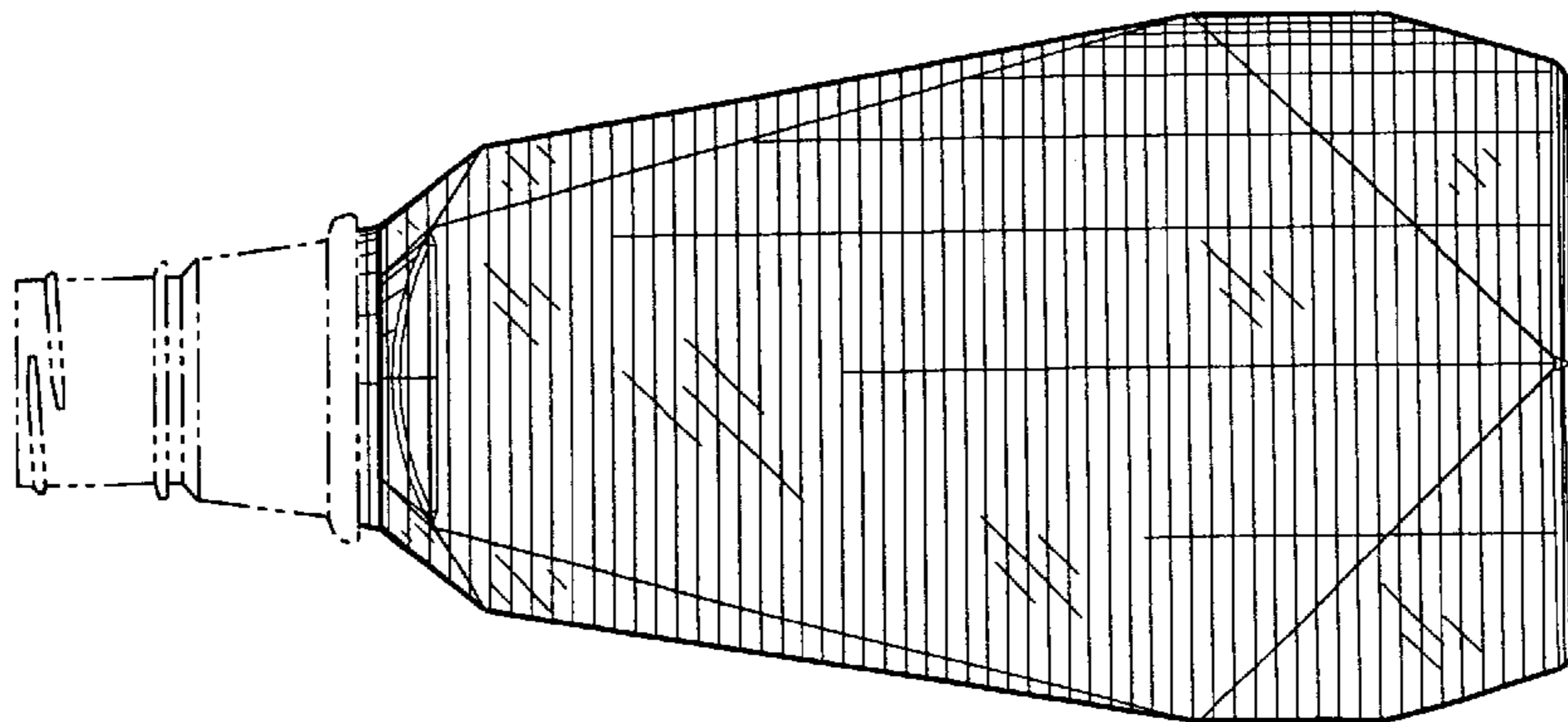




*Fig. 16*



*Fig. 15*



*Fig. 14*