

US00D533063S

(12) **United States Design Patent**
Lee et al.

(10) **Patent No.: US D533,063 S**

(45) **Date of Patent: ** Dec. 5, 2006**

(54) **CONFECTION CONTAINER**

(75) Inventors: **Kendrew Lee**, Fremont, CA (US); **Noel Lee**, Las Vegas, NV (US)

(73) Assignee: **Monster Cable Products, Inc.**,
Brisbane, CA (US)

(**) Term: **14 Years**

(21) Appl. No.: **29/196,971**

(22) Filed: **Jan. 7, 2004**

(51) **LOC (8) Cl.** **09-01**

(52) **U.S. Cl.** **D9/449**

(58) **Field of Classification Search** D9/414,
D9/420-422, 428, 449, 500, 503-504, 509,
D9/511, 513, 515, 524, 529, 715; D3/203.2;
206/6.1, 528, 533, 540, 568, 581; 220/823;
D28/66, 76, 82, 91

See application file for complete search history.

(56) **References Cited**

U.S. PATENT DOCUMENTS

D33,284 S * 10/1900 Clement D9/515
1,440,046 A * 12/1922 Ziplinsky 206/540
1,775,959 A * 9/1930 Himes 206/540
D291,843 S * 9/1987 Searle D9/424

D314,912 S * 2/1991 Rey Pascual D9/424
D324,997 S * 3/1992 Jones D28/82
D354,680 S * 1/1995 Chen D9/428
D475,618 S * 6/2003 Barnes et al. D9/414

* cited by examiner

Primary Examiner—Ian Simmons

Assistant Examiner—Dana Sipos

(74) *Attorney, Agent, or Firm*—LaRiviere, Grubman &
Payne, LLP

(57) **CLAIM**

The ornamental design for a confection container, as shown
and described.

DESCRIPTION

FIG. 1 is a perspective view of a confection container, in a
accordance with the present invention.

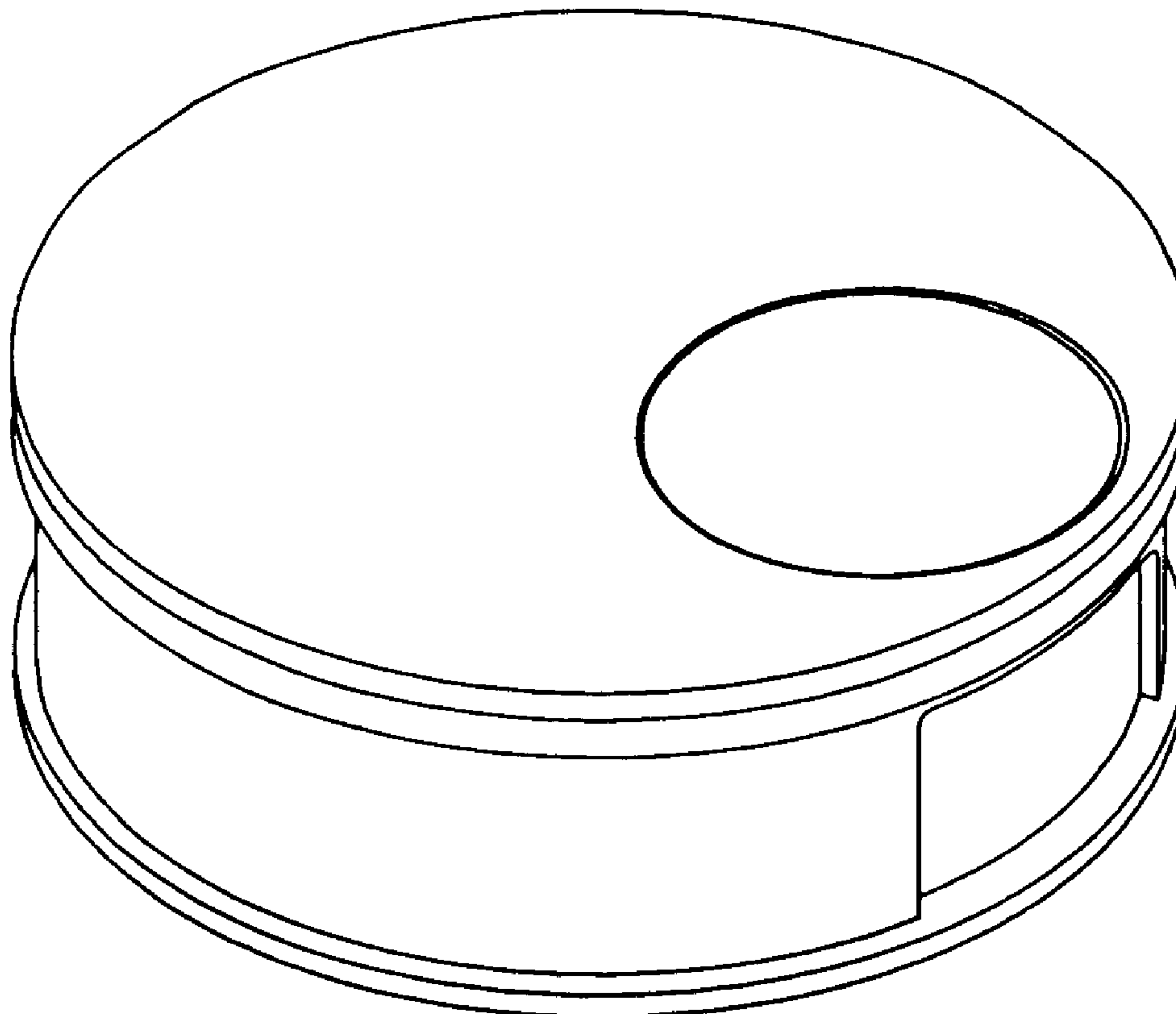
FIG. 2 is a side view of a confection container, in accordance
with the present invention.

FIG. 3 is a bottom view of a confection container top, in
accordance with the present invention.

FIG. 4 is an opposing side view of a confection container
top, in accordance with the present invention; and,

FIG. 5 is a top view, of a confection container, in accordance
with the present invention.

1 Claim, 2 Drawing Sheets



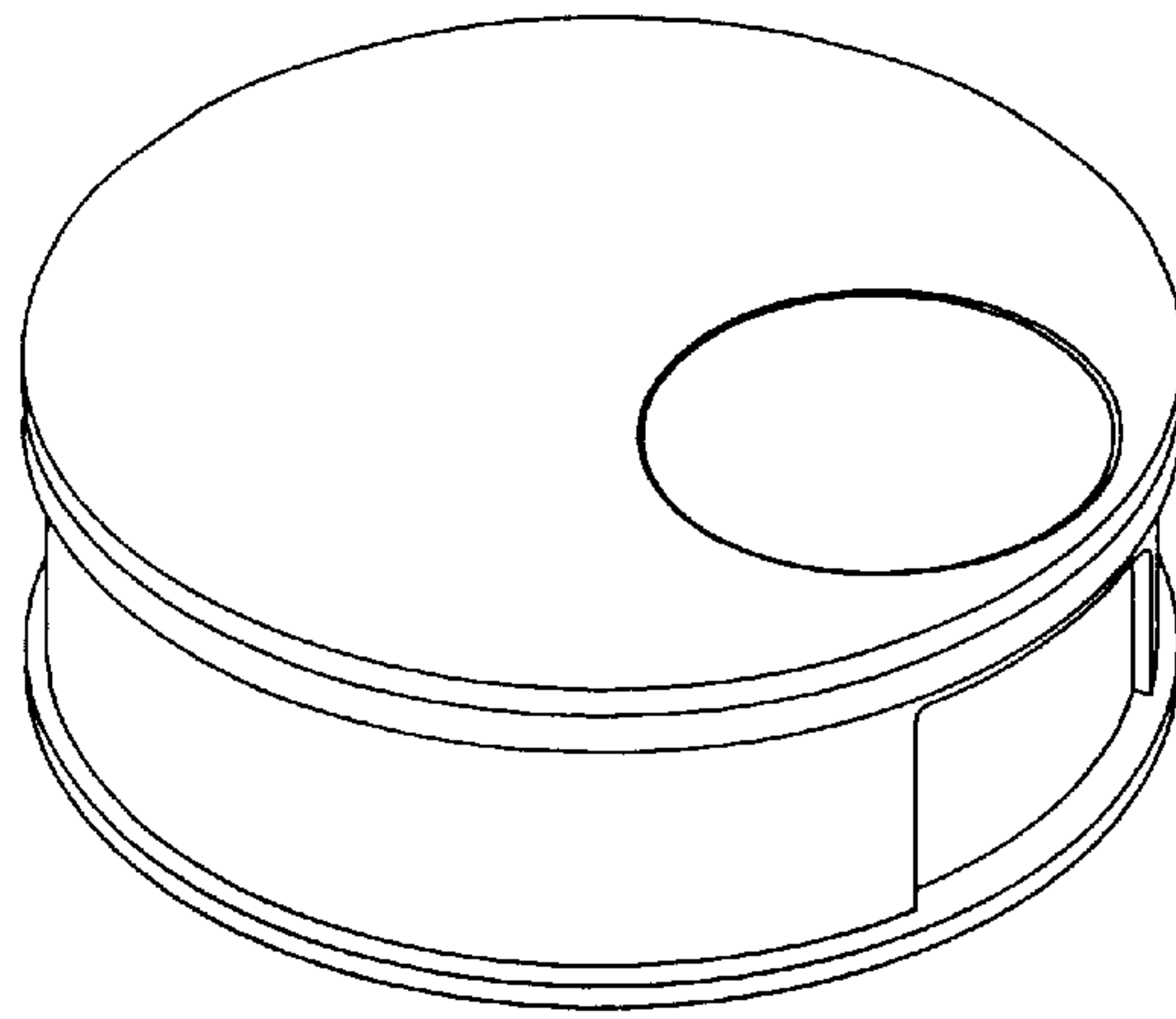


Figure 1

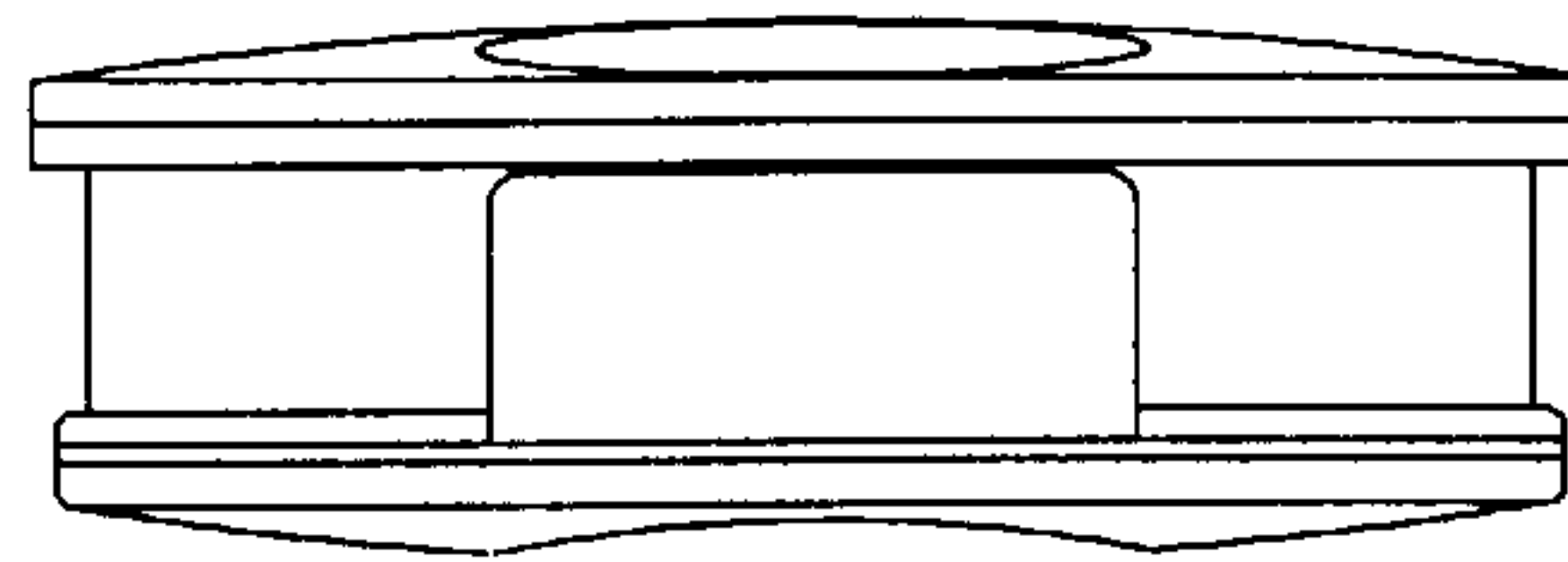


Figure 2

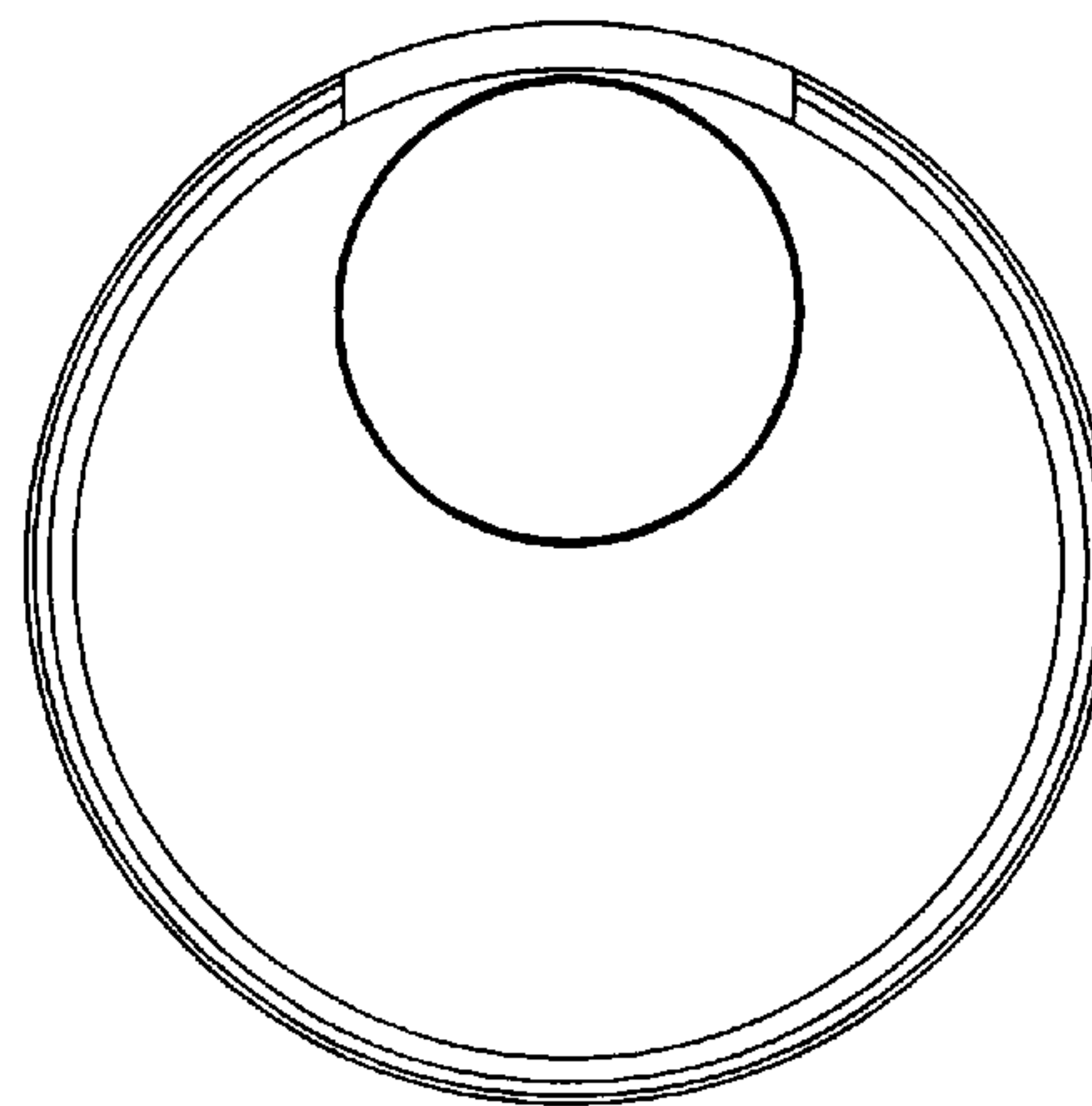


Figure 3

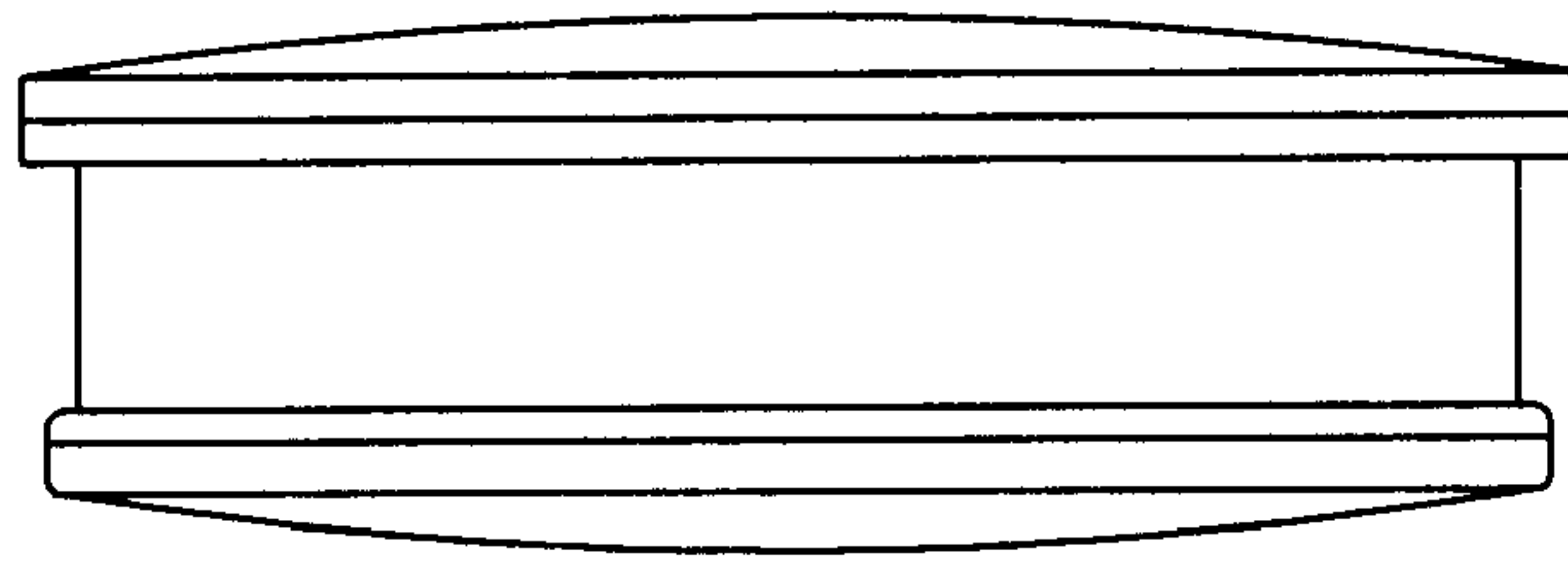


Figure 4

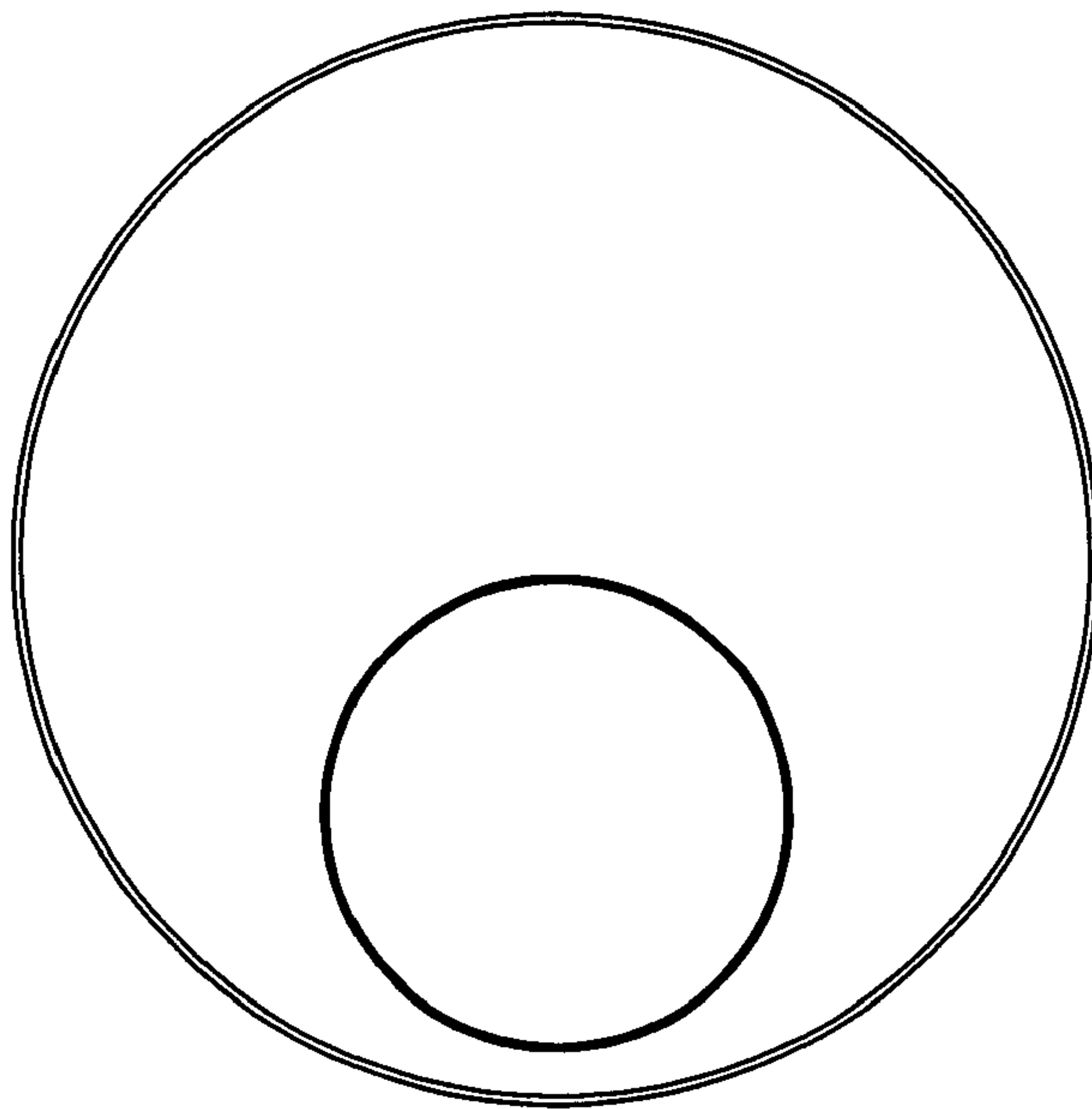


Figure 5