



US00D533059S

(12) **United States Design Patent**
Knutson et al.

(10) **Patent No.:** **US D533,059 S**

(45) **Date of Patent:** **** Dec. 5, 2006**

(54) **LID FOR PRODUCT HOLDING CONTAINERS**

(75) Inventors: **Herb Knutson**, Waterbury, CT (US);
Thomas Iaquinto, Clinton, CT (US)

(73) Assignee: **Inline Plastic Corporation**, Shelton, CT (US)

(**) Term: **14 Years**

(21) Appl. No.: **29/229,510**

(22) Filed: **May 9, 2005**

(51) **LOC (8) Cl.** **09-07**

(52) **U.S. Cl.** **D9/435**

(58) **Field of Classification Search** D9/756,
D9/755, 456, 435, 432, 431, 429, 428, 426,
D9/425, 424, 418; D7/629, 601, 554.2, 551.1,
D7/392.1, 391; D34/38; D3/323; 229/406;
220/556; 206/557, 518, 508

See application file for complete search history.

(56) **References Cited**

U.S. PATENT DOCUMENTS

D358,965 S * 6/1995 Meier et al. D7/554.3

D428,332 S * 7/2000 Knutson D9/425

D448,288 S * 9/2001 Zettle et al. D9/425

D448,991 S * 10/2001 Zettle et al. D9/425

D501,403 S * 2/2005 Wilcock et al. D9/425

D502,096 S * 2/2005 Wilcock et al. D9/425

D512,305 S * 12/2005 Ramirez et al. D9/425

* cited by examiner

Primary Examiner—Robert M. Spear

Assistant Examiner—Susan Bennett Hattan

(74) *Attorney, Agent, or Firm*—Melvin I. Stoltz

(57) **CLAIM**

The ornamental design for a lid for product holding containers, as shown and described.

DESCRIPTION

FIG. 1 is a perspective view of the lid for product holding containers showing our new design;

FIG. 2 is a front elevational view thereof;

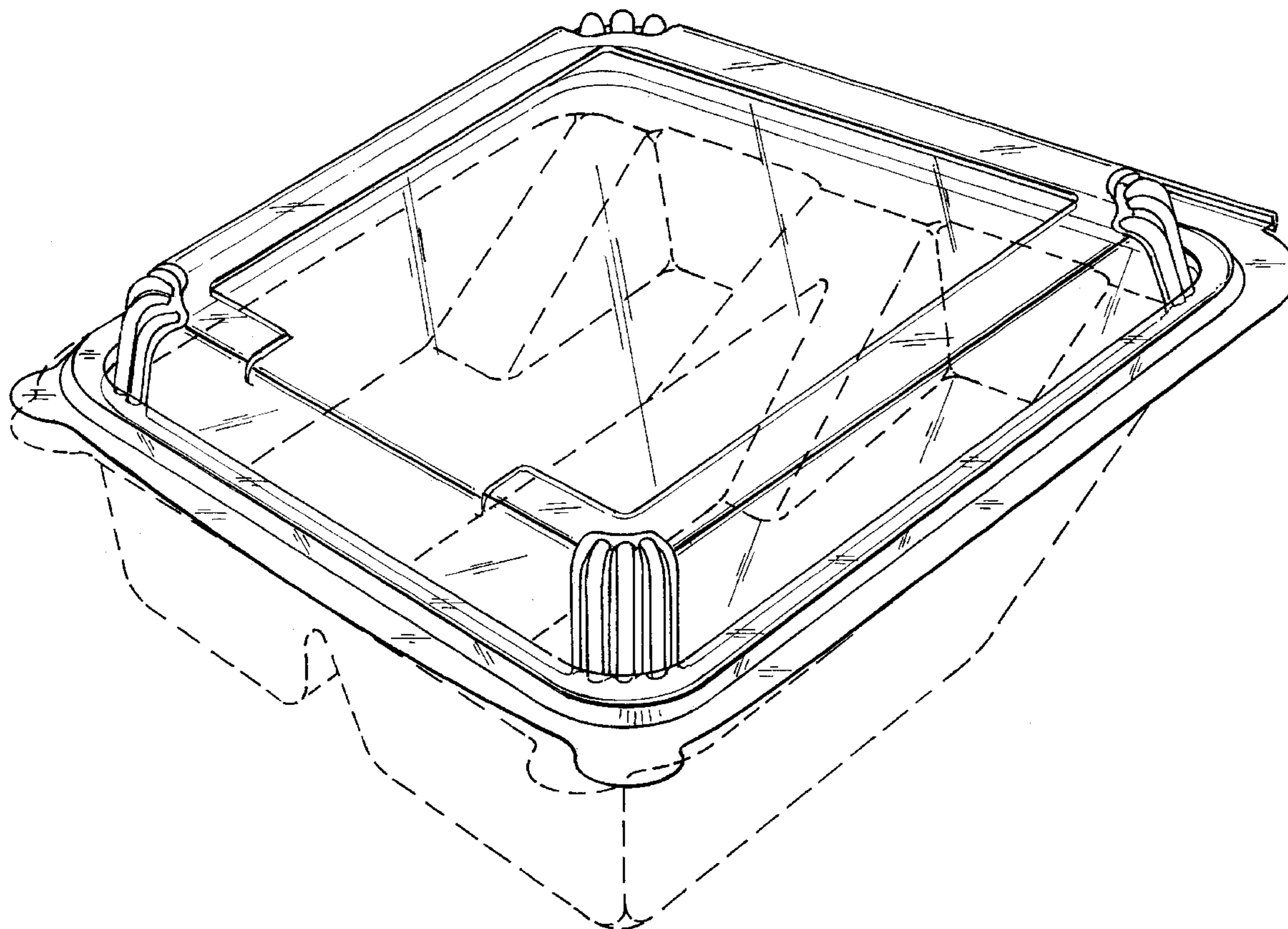
FIG. 3 is a side elevational view thereof, the opposite side being a mirror image thereof;

FIG. 4 is a rear elevational view thereof; and,

FIG. 5 is a top plan view thereof.

The broken lines in the drawings are for illustrative purposes only and form no part of the claimed design.

1 Claim, 3 Drawing Sheets



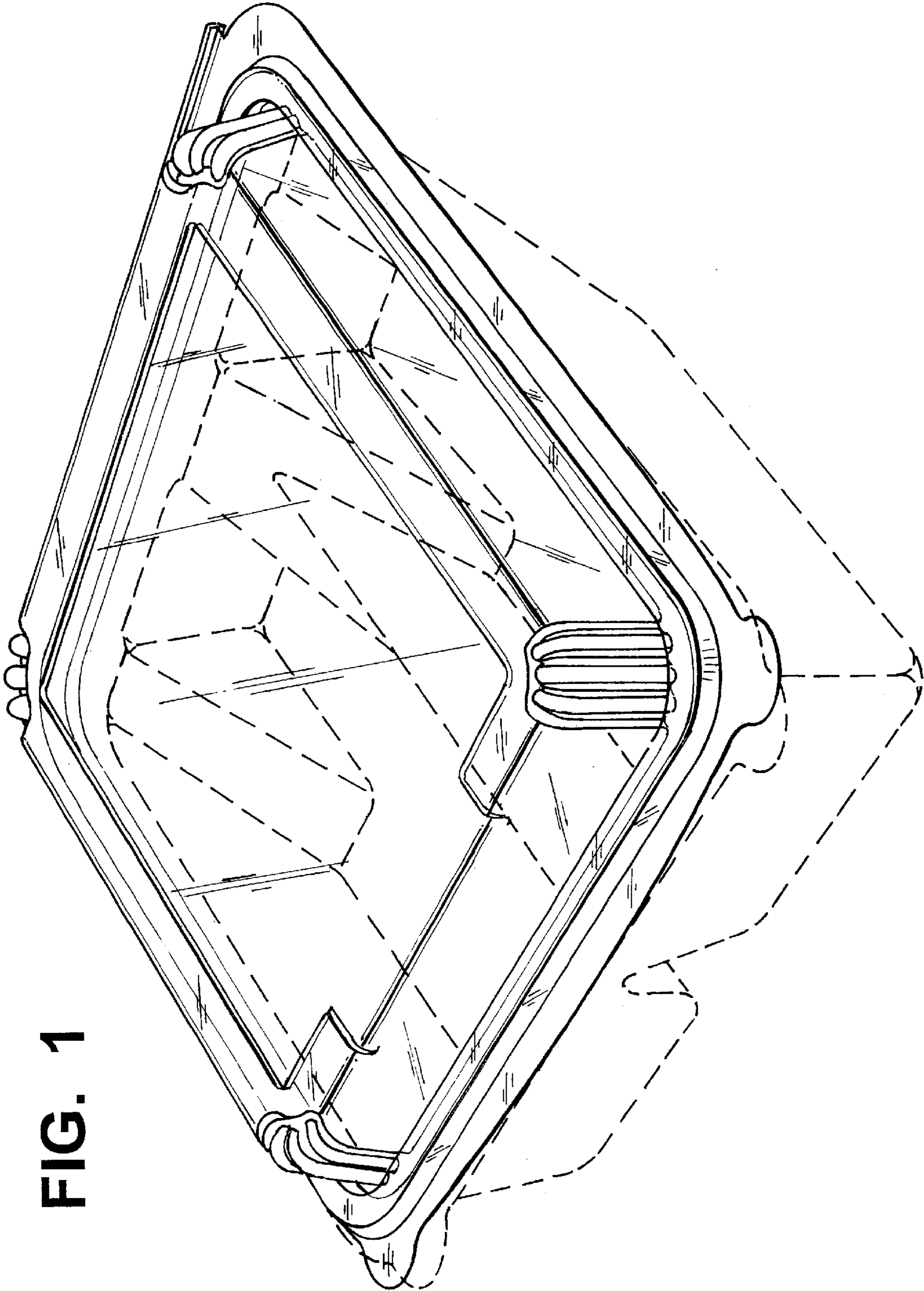


FIG. 1

FIG. 2

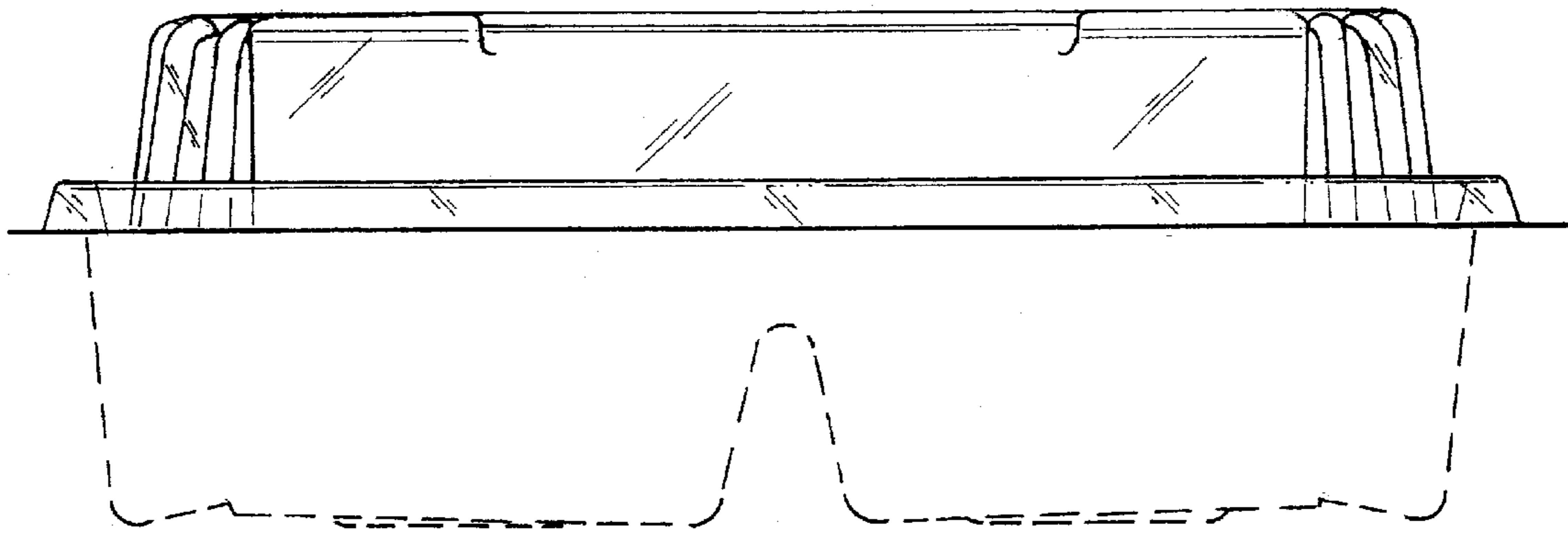


FIG. 3

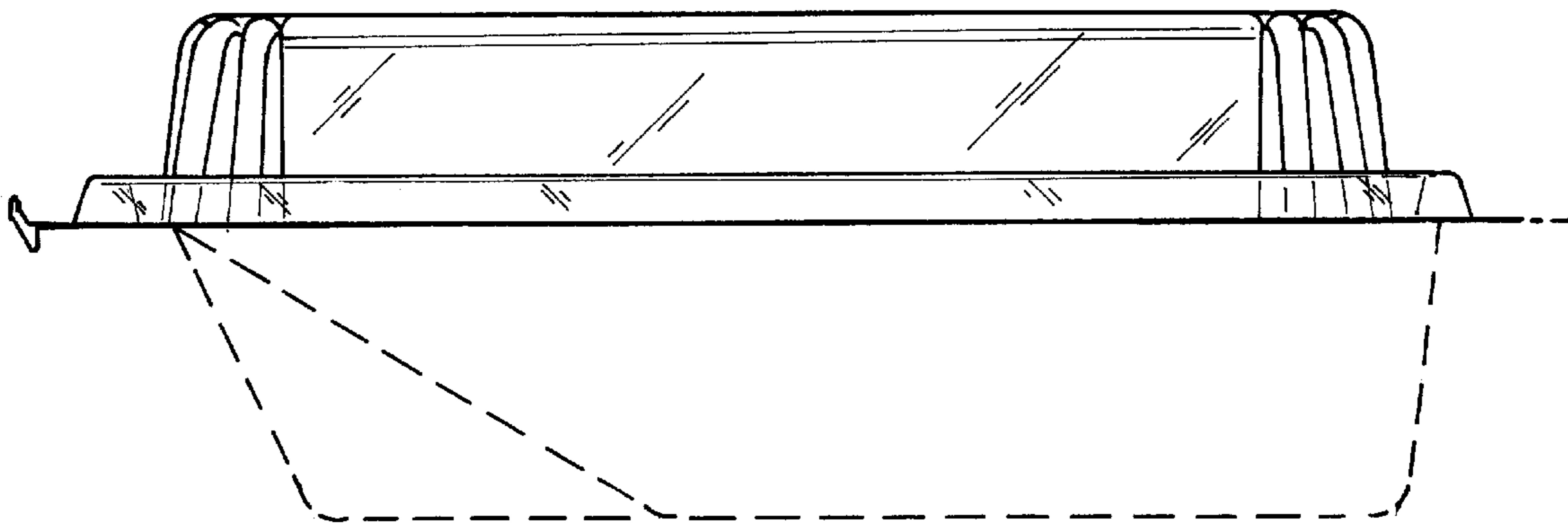


FIG. 4

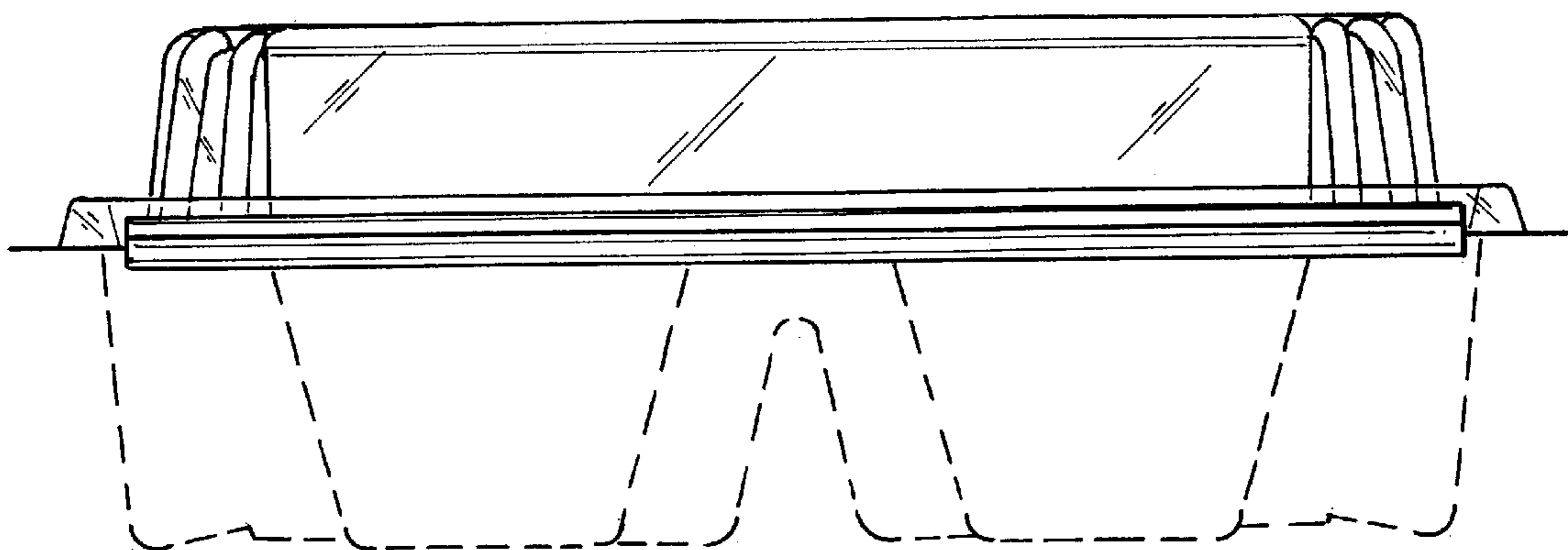


FIG. 5

