



US00D533058S

(12) **United States Design Patent**
Weiss et al.

(10) **Patent No.:** **US D533,058 S**

(45) **Date of Patent:** **** Dec. 5, 2006**

(54) **DOUBLE COMPARTMENT CONTAINER LID**

(75) Inventors: **Sondra A. Weiss**, Sauk City, WI (US);
Robert G. LaMasney, Cross Plains,
WI (US)

(73) Assignee: **Plastic Ingenuity, Inc.**, Cross Plains,
WI (US)

(**) Term: **14 Years**

(21) Appl. No.: **29/224,129**

(22) Filed: **Feb. 25, 2005**

(51) **LOC (8) Cl.** **09-07**

(52) **U.S. Cl.** **D9/435**

(58) **Field of Classification Search** D9/756,
D9/755, 456, 435, 432, 431, 429, 428, 426,
D9/425, 424, 418; D7/629, 601, 554.2, 551.1,
D7/392.1, 391; D34/38; D3/323; 229/406;
220/556; 206/557, 518, 508

See application file for complete search history.

(56) **References Cited**

U.S. PATENT DOCUMENTS

D284,727 S	7/1986	Gerber
D287,559 S	1/1987	Daenen et al.
D289,844 S	5/1987	Daenen et al.
D299,606 S	1/1989	Pomroy
4,838,444 A	6/1989	Bitel
D310,315 S	9/1990	Bitel
4,976,738 A	12/1990	Frey et al.
5,094,355 A	3/1992	Clark et al.
5,335,787 A	8/1994	Finchum et al.
D353,327 S	12/1994	Castner et al.

5,381,901 A	1/1995	Hundley	
D371,940 S	7/1996	Krupa	
D386,075 S	11/1997	Hayes et al.	
D392,881 S	3/1998	Bulcher et al.	
5,915,581 A	6/1999	Pfirmann, Jr. et al.	
6,093,460 A	7/2000	Iwaya	
D484,364 S	12/2003	Bailey et al.	
D495,920 S	9/2004	Isler et al.	
D502,045 S	2/2005	Isler et al.	
D515,880 S	* 2/2006	Lerner	D7/629
D517,427 S	* 3/2006	Ramirez et al.	D9/737
2005/0205570 A1	* 9/2005	Ramirez et al.	220/4.21

* cited by examiner

Primary Examiner—Robert M. Spear

Assistant Examiner—Susan Bennett Hattan

(74) *Attorney, Agent, or Firm*—Foley & Lardner LLP

(57) **CLAIM**

We claim the ornamental design for a double compartment container lid, as shown and described.

DESCRIPTION

FIG. 1 is a top perspective view of a double compartment container lid showing my new design;

FIG. 2 is another top perspective view thereof;

FIG. 3 is a bottom perspective view thereof;

FIG. 4 is another bottom perspective view thereof;

FIG. 5 is a top plan view thereof;

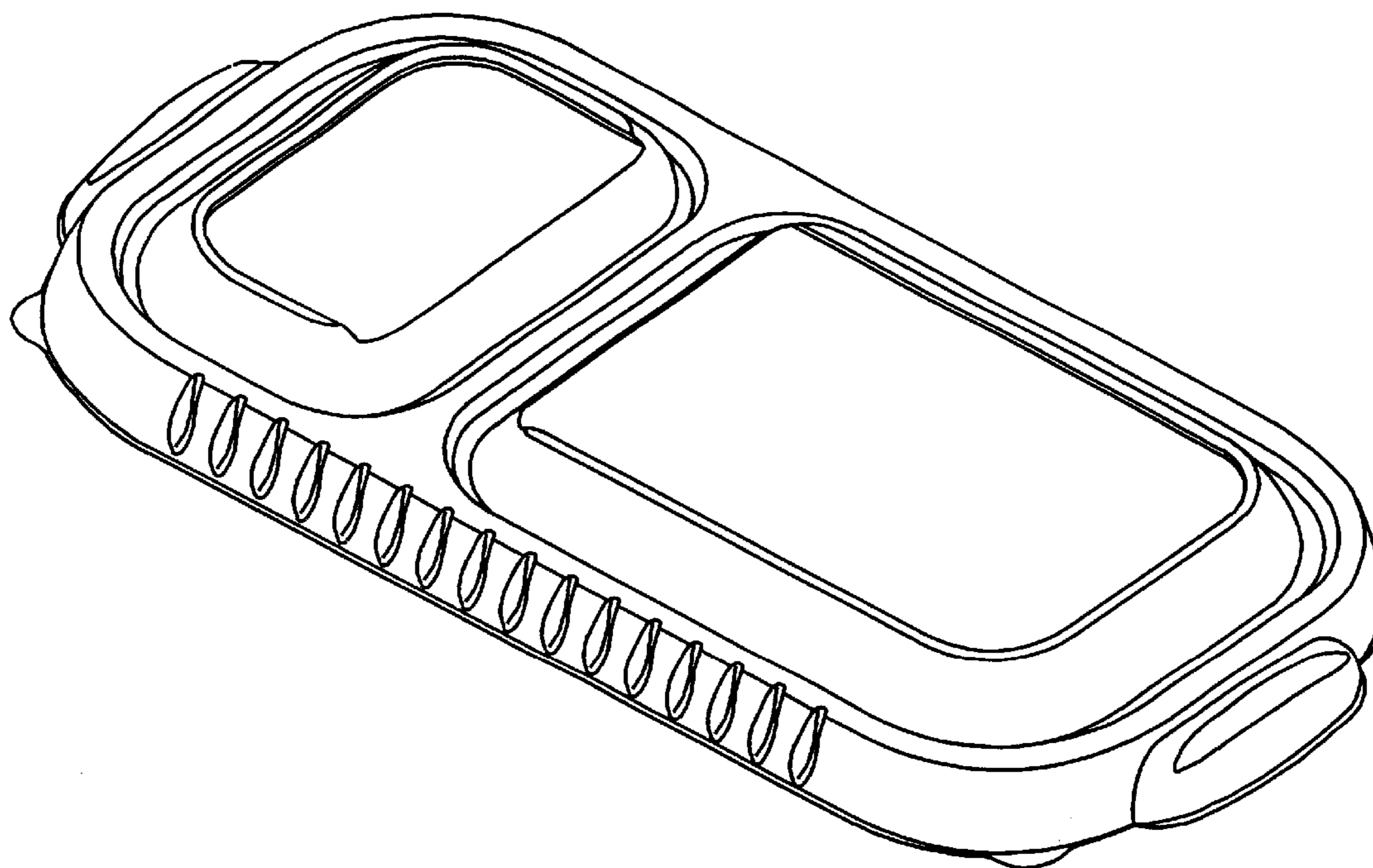
FIG. 6 is a bottom plan view thereof;

FIG. 7 is a side elevation view of a first side thereof; and,

FIG. 8 is a side elevation view of a second side thereof.

The ornamental design which is claimed is shown in solid lines in the drawings.

1 Claim, 4 Drawing Sheets



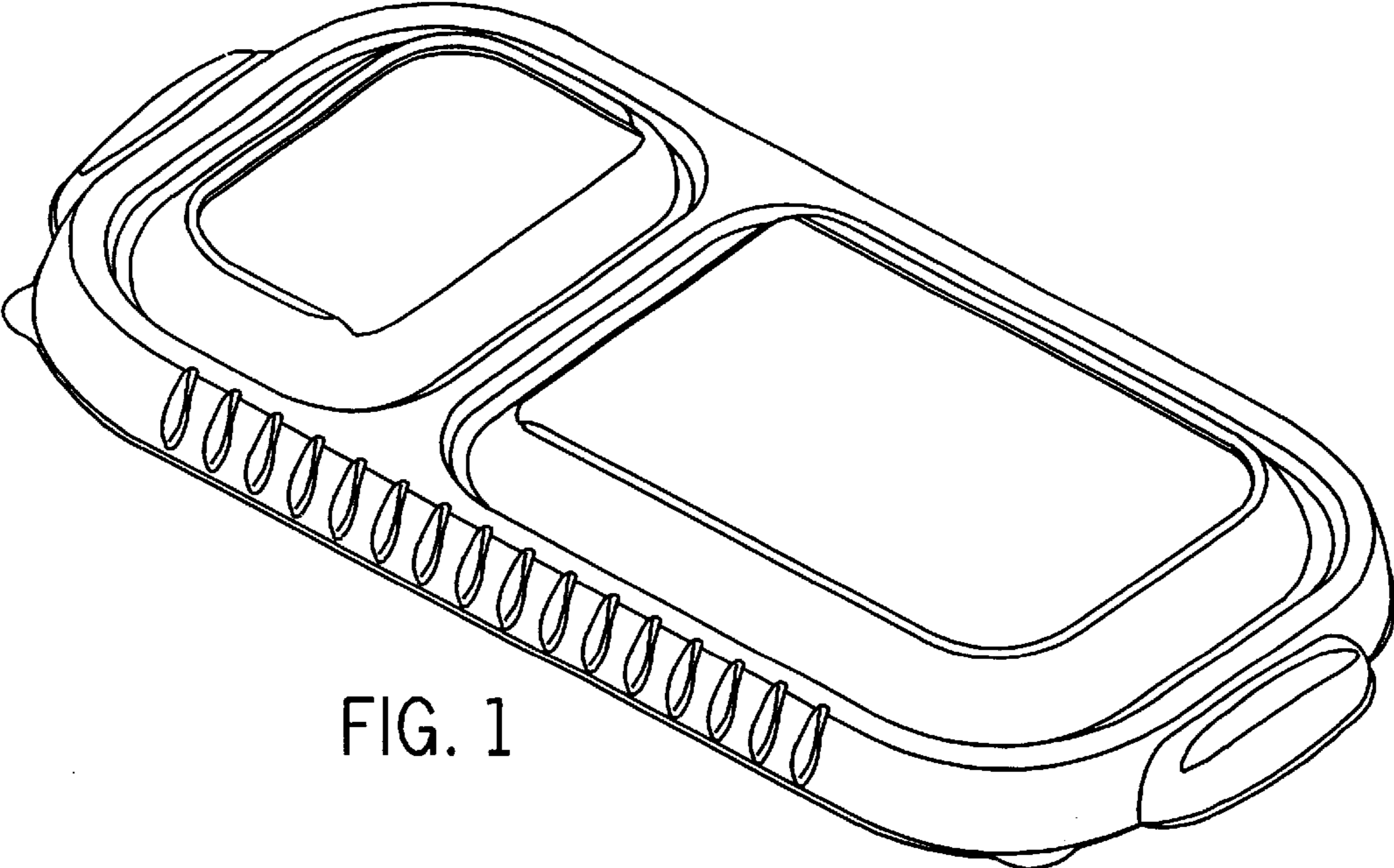


FIG. 1

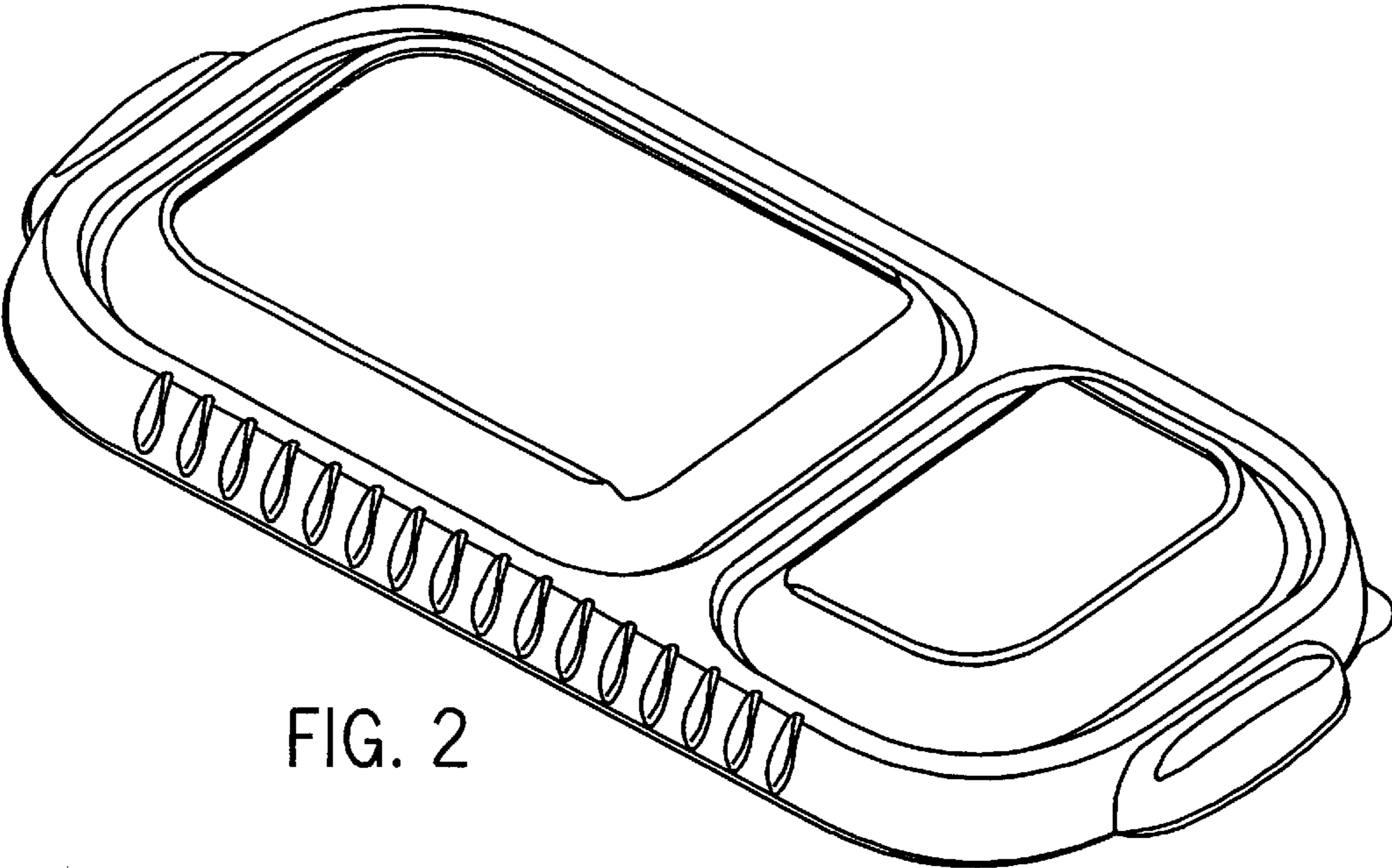


FIG. 2

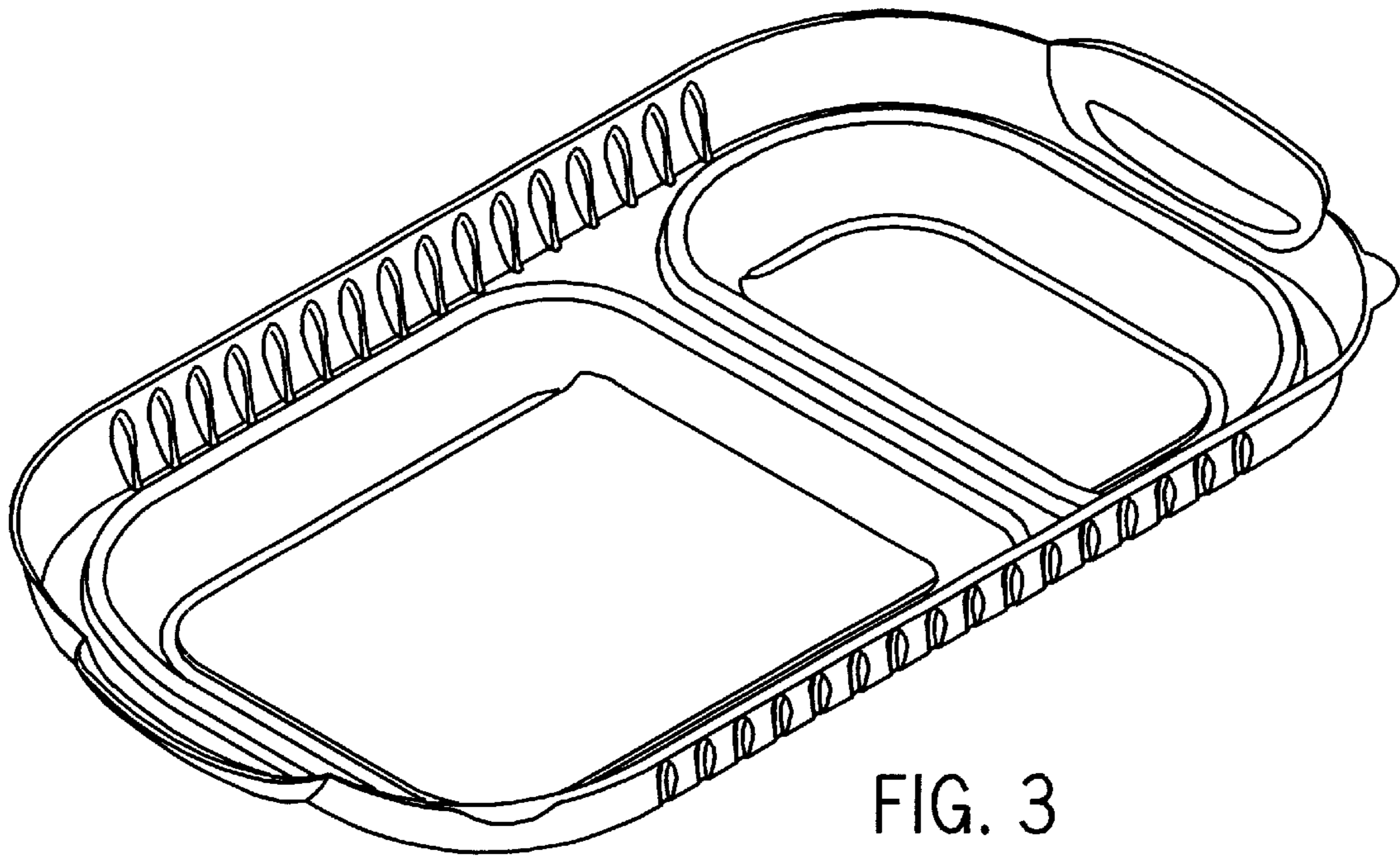


FIG. 3

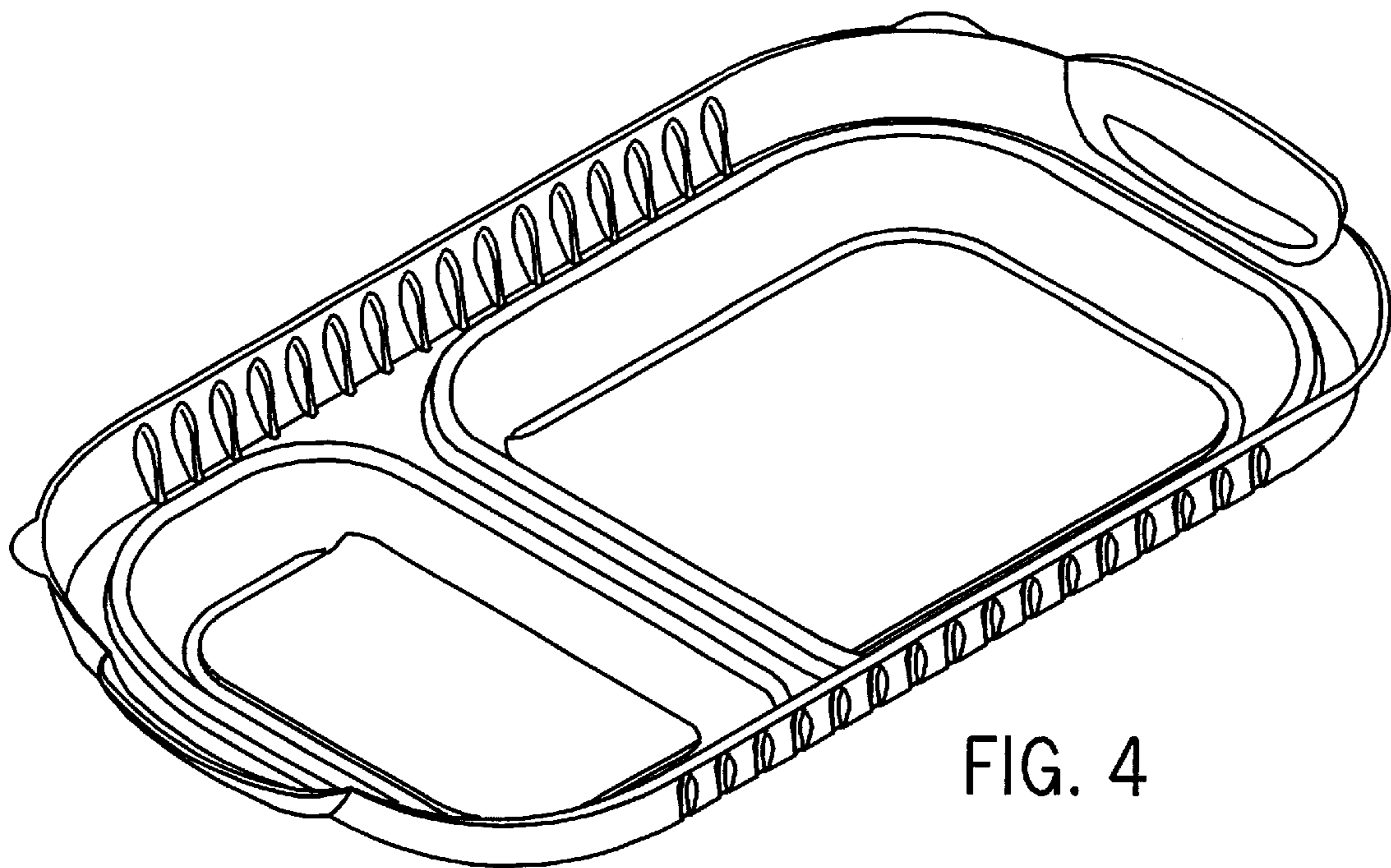


FIG. 4

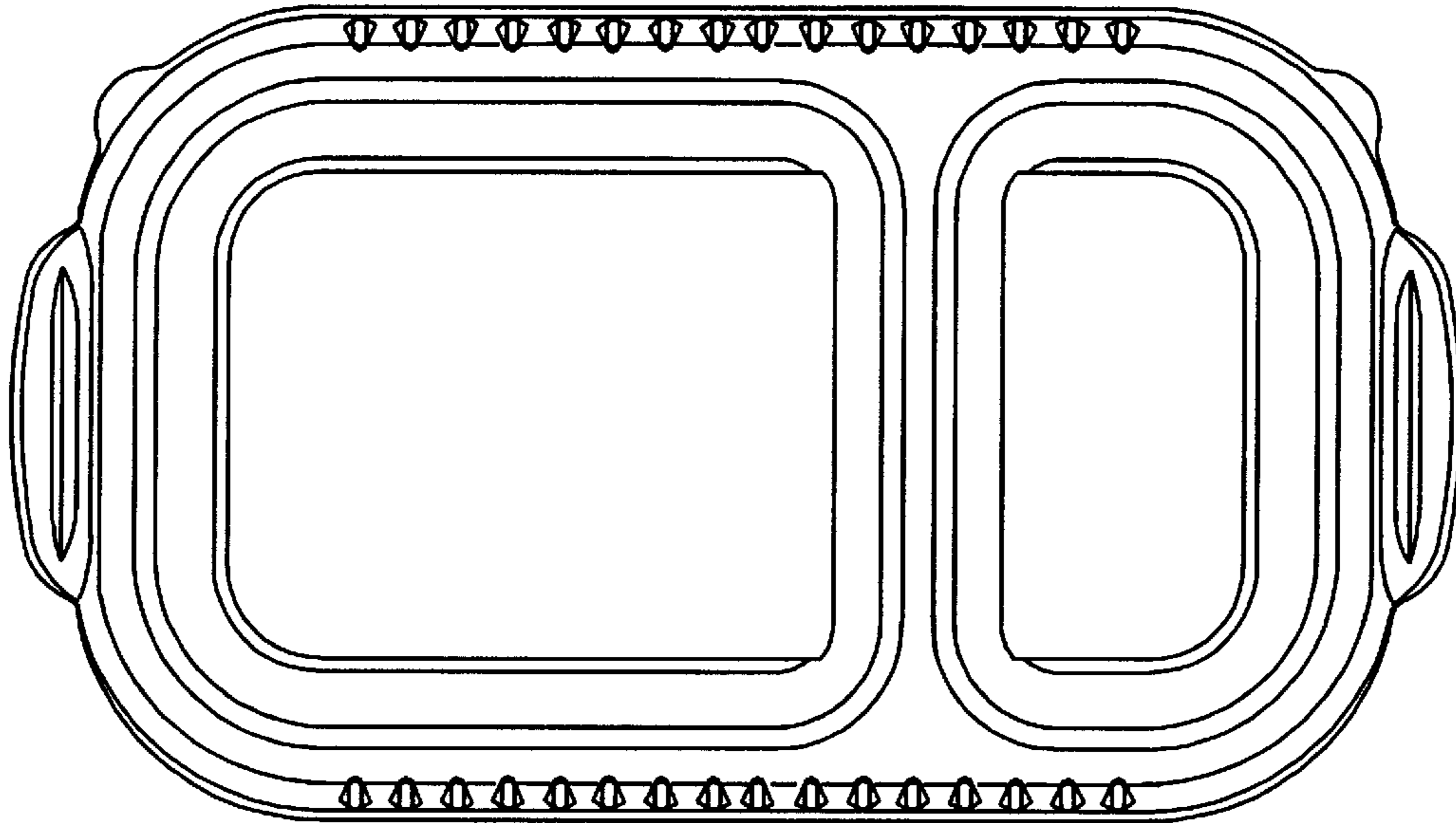


FIG. 5

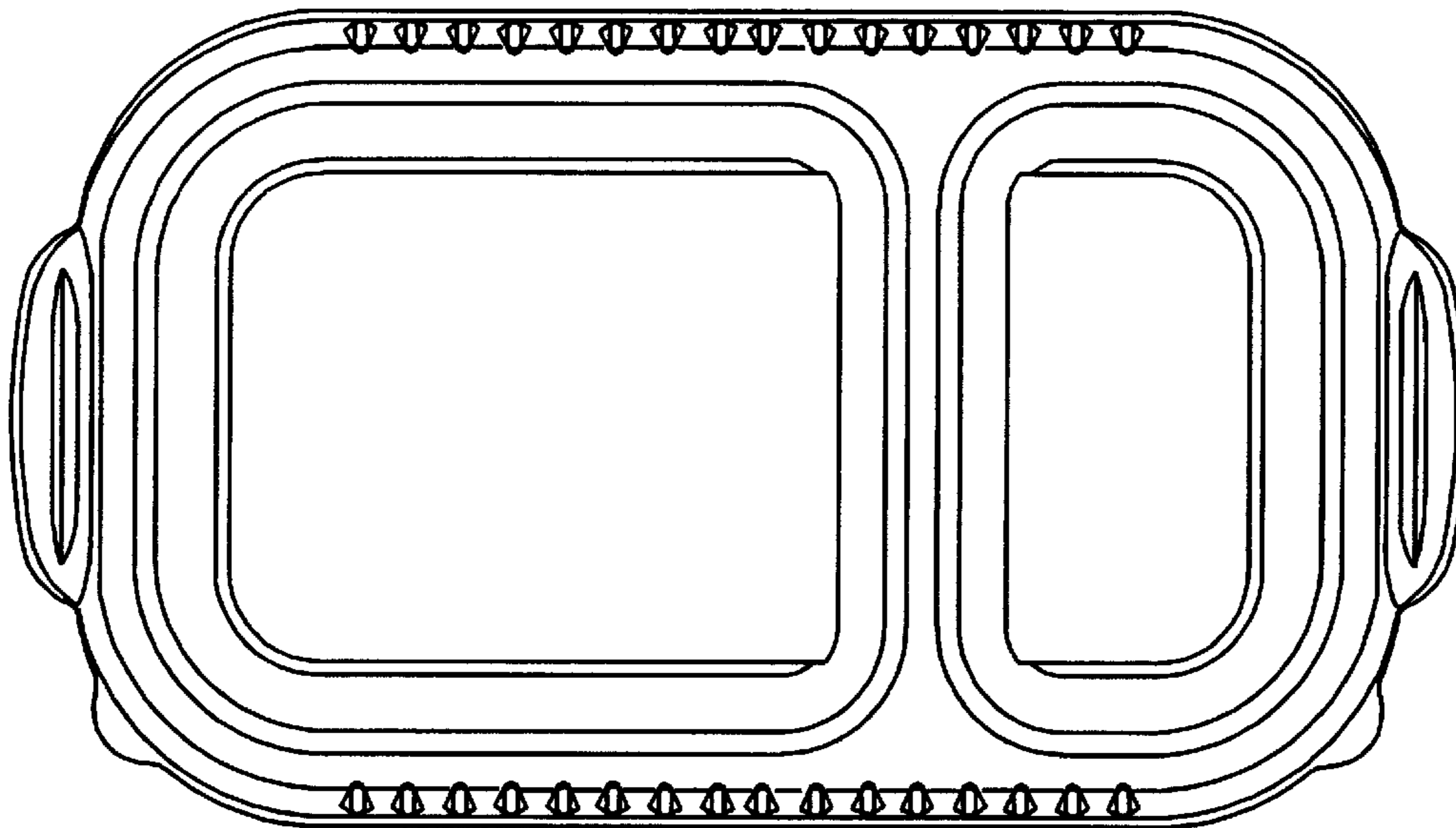


FIG. 6

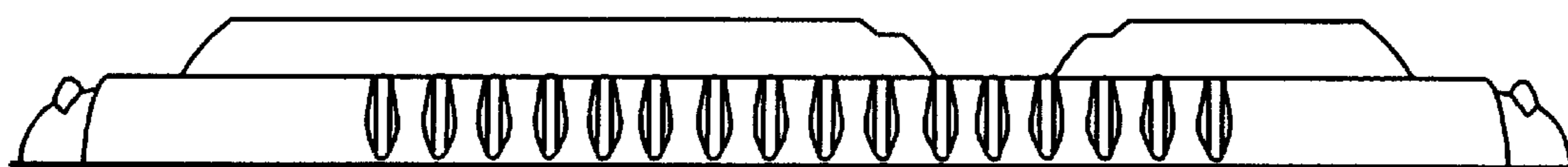


FIG. 7

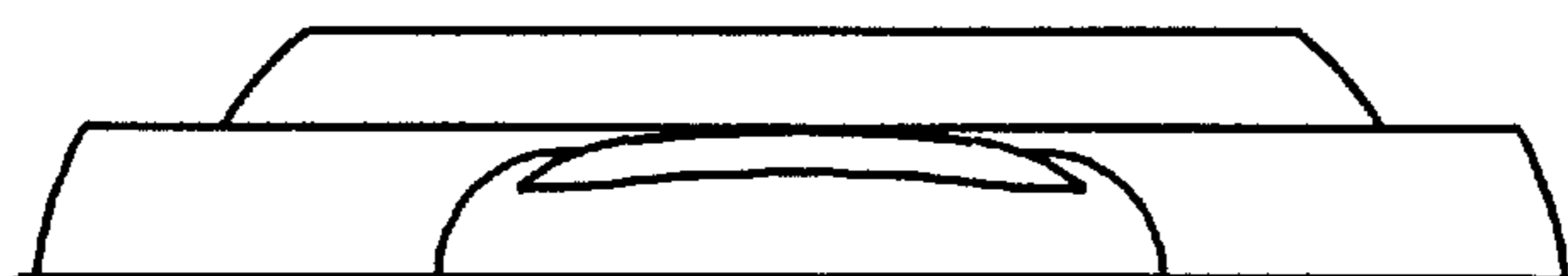


FIG. 8