



US00D533055S

(12) **United States Design Patent**  
**Brassard**

(10) **Patent No.:** **US D533,055 S**

(45) **Date of Patent:** **\*\* Dec. 5, 2006**

(54) **TWO CONNECTOR MOUNTING STRUCTURE**

(76) **Inventor:** **Paul Brassard**, 20 La Porte, Arcadia, CA (US) 91006

(\*\*) **Term:** **14 Years**

(21) **Appl. No.:** **29/235,656**

(22) **Filed:** **Aug. 4, 2005**

(51) **LOC (8) Cl.** ..... **08-05**

(52) **U.S. Cl.** ..... **D8/373; D14/253; D14/434; D14/447**

(58) **Field of Classification Search** ..... D14/224, D14/434, 251-253, 447, 452; 248/160, 205.8, 248/206.2, 274.1, 371, 917; 379/426, 446, 379/449, 454, 455; 455/90.3, 575.1, 575.9; D12/415; D8/350, 363; D13/177; D6/553; D16/242

See application file for complete search history.

(56) **References Cited**

**U.S. PATENT DOCUMENTS**

599,543 A \* 2/1898 Whitaker ..... 248/160  
625,917 A \* 5/1899 Arnold ..... 248/274.1

2,481,271 A \* 9/1949 Willey ..... 379/455  
4,842,174 A \* 6/1989 Sheppard et al. .... 224/548  
D410,622 S \* 6/1999 Richter ..... D12/425  
6,749,160 B1 \* 6/2004 Richter ..... 248/206.2  
2004/0155164 A1 \* 8/2004 Richter ..... 248/274.1

\* cited by examiner

*Primary Examiner*—Ian Simmons

*Assistant Examiner*—Carla Jobe Wright

(74) *Attorney, Agent, or Firm*—James E. Brunton, Esq.

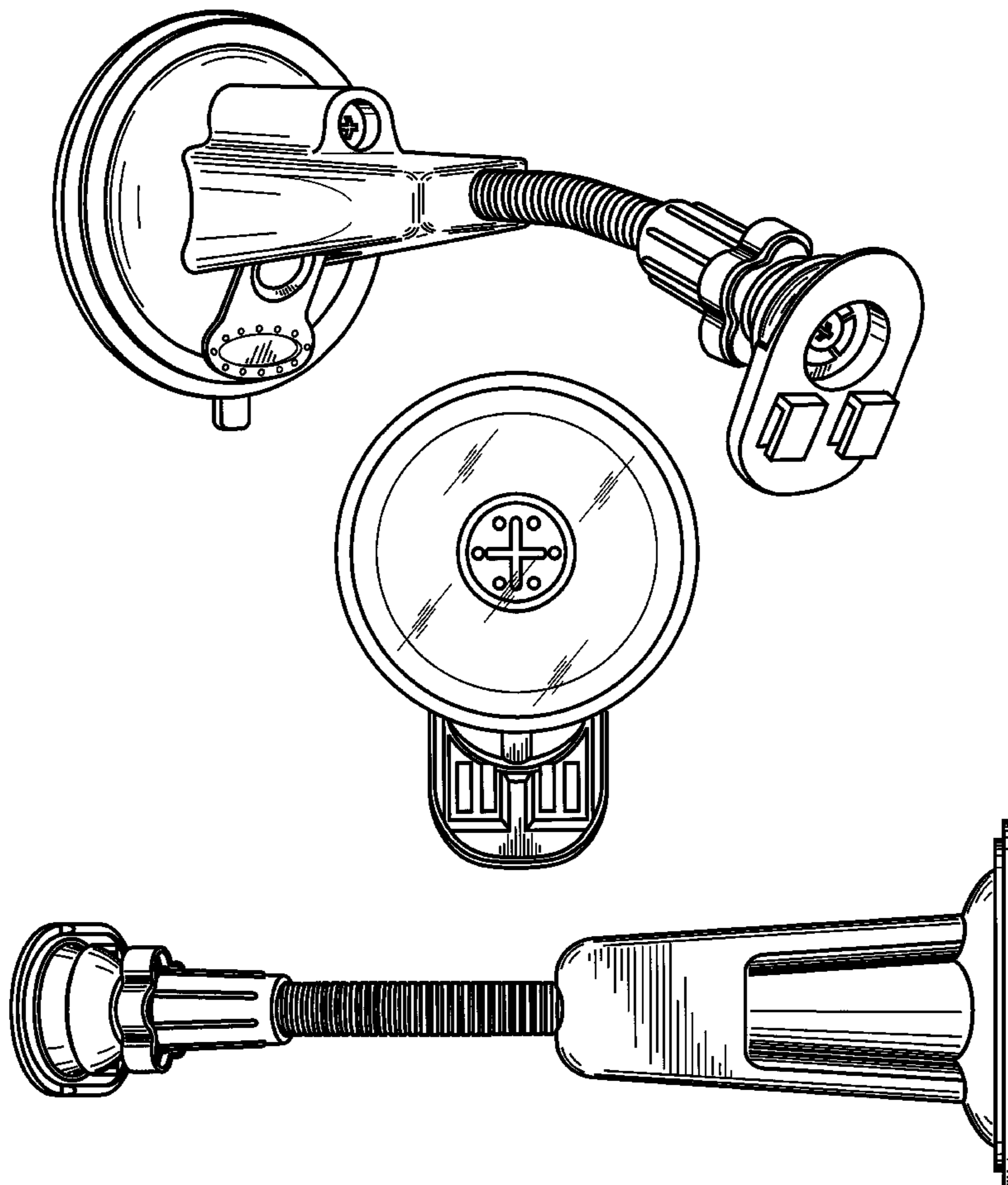
(57) **CLAIM**

The ornamental design for a two connector mounting structure, as shown and described.

**DESCRIPTION**

FIG. 1 is a perspective top view of a “two connector mounting structure” showing my new design; FIG. 2 is a perspective bottom view thereof; FIG. 3 is a top plan view thereof; FIG. 4 is a bottom plan view thereof; FIG. 5 is a side view thereof; the opposite side being a mirror image thereto; FIG. 6 is a front view thereof; and, FIG. 7 is a rear view thereof.

**1 Claim, 5 Drawing Sheets**



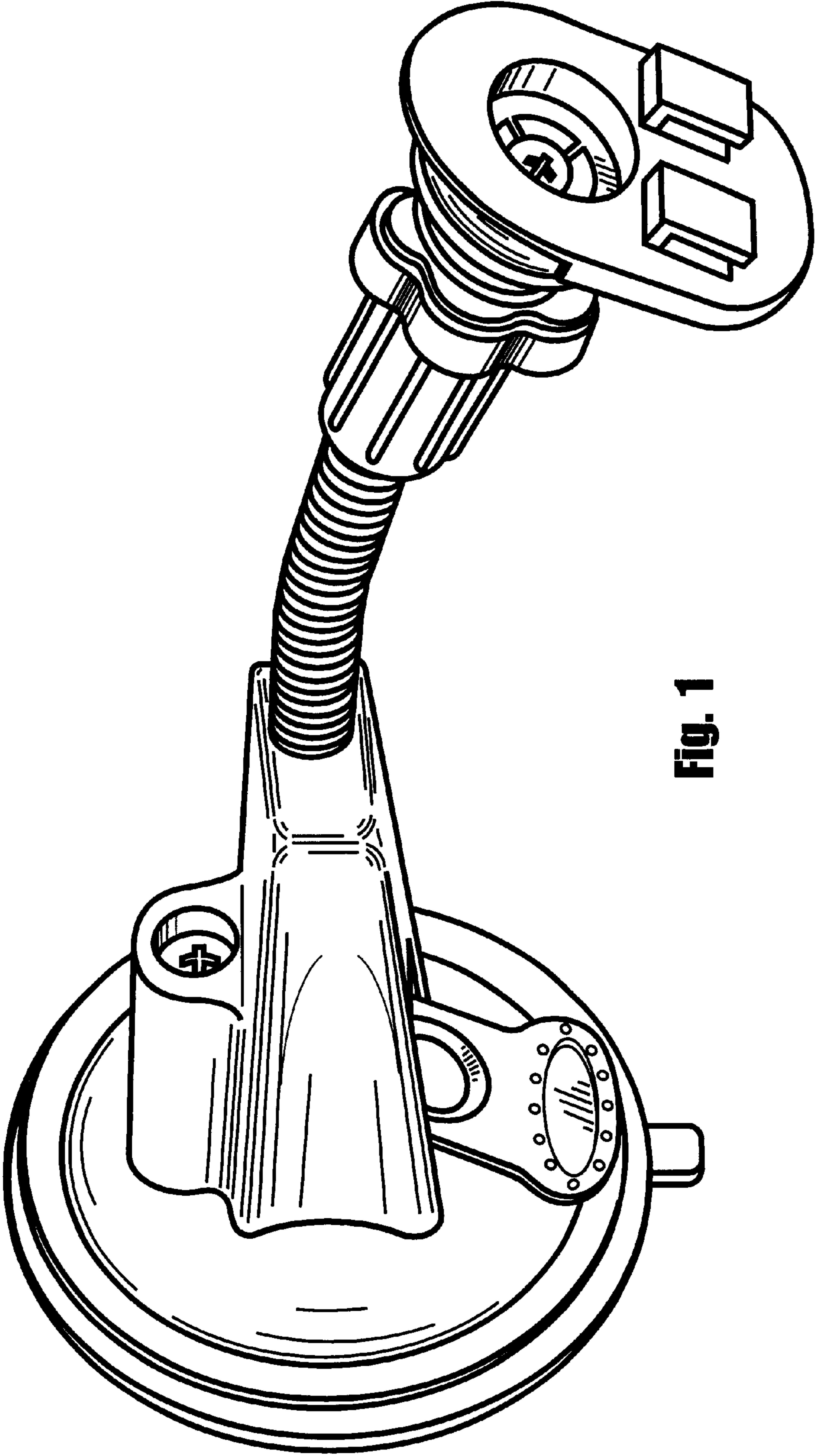
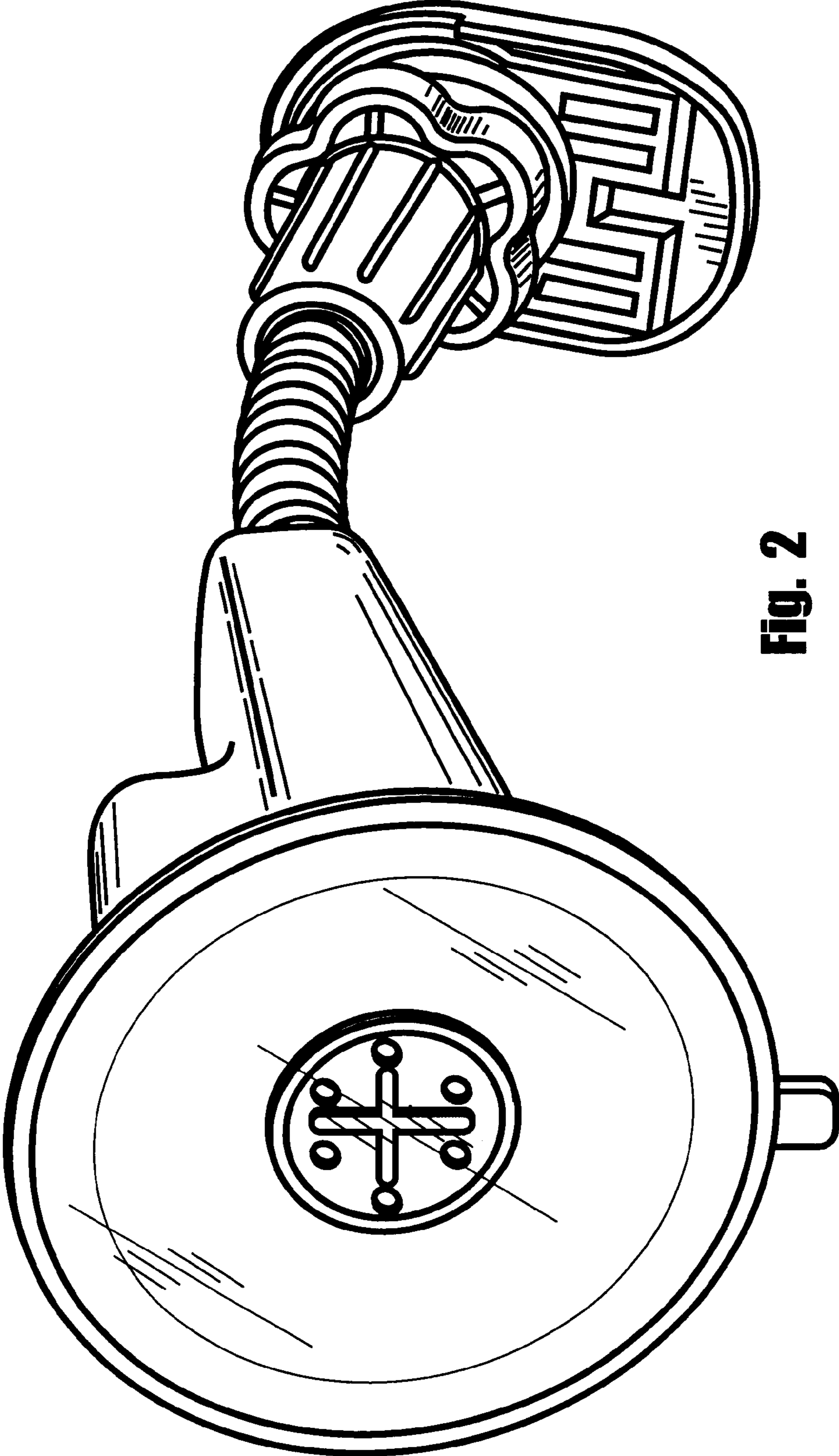
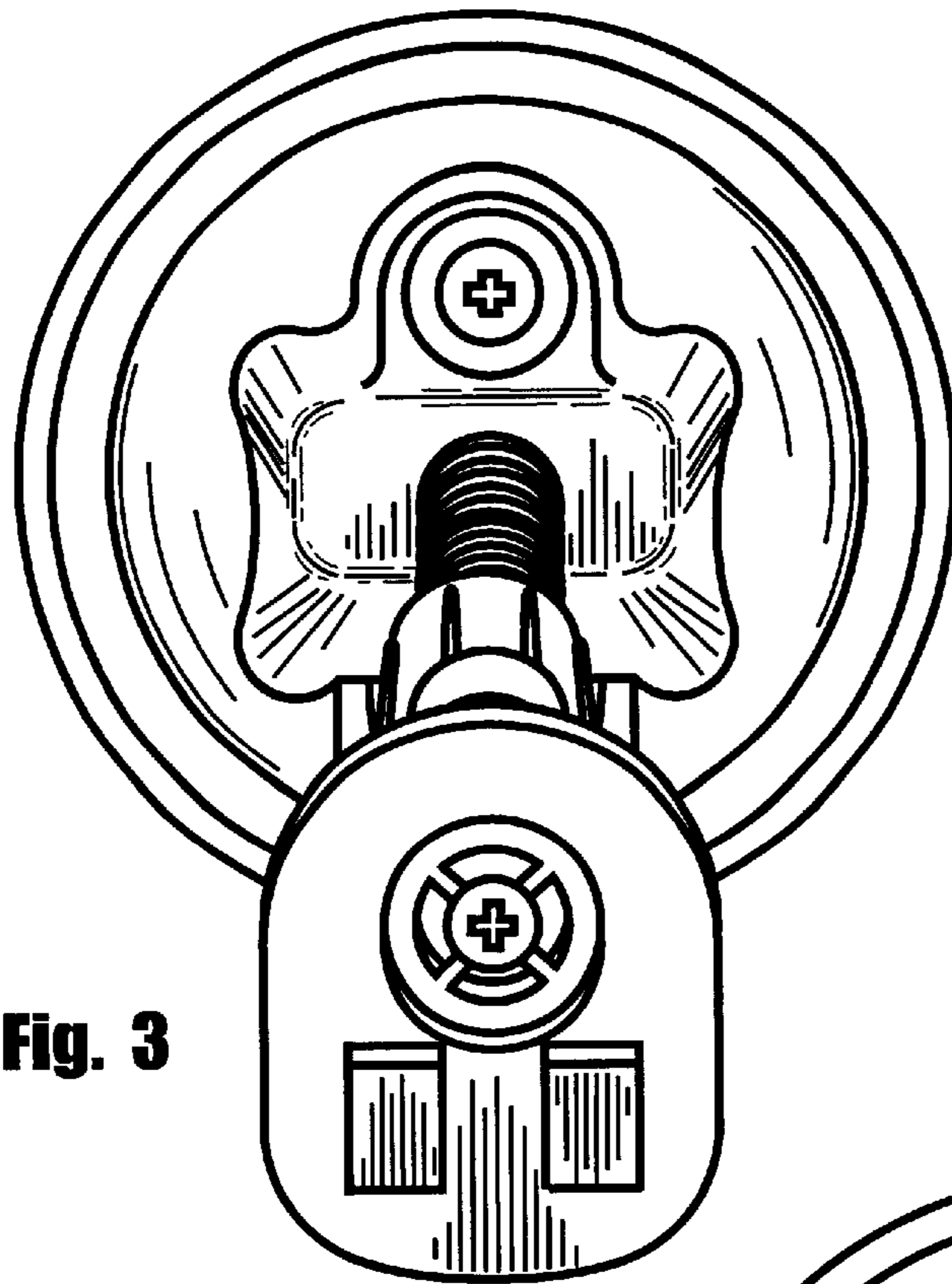


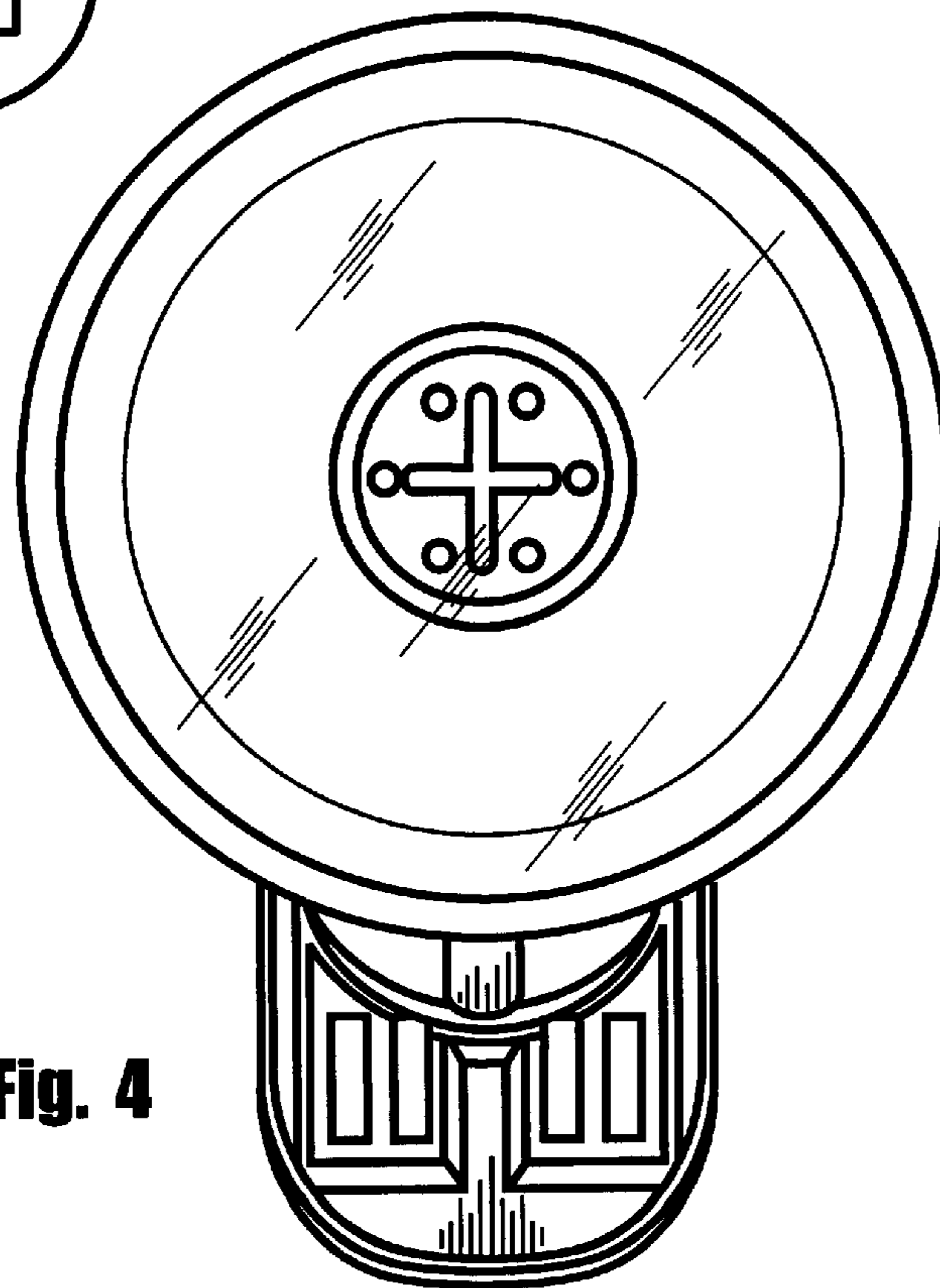
Fig. 1



**Fig. 2**



**Fig. 3**



**Fig. 4**

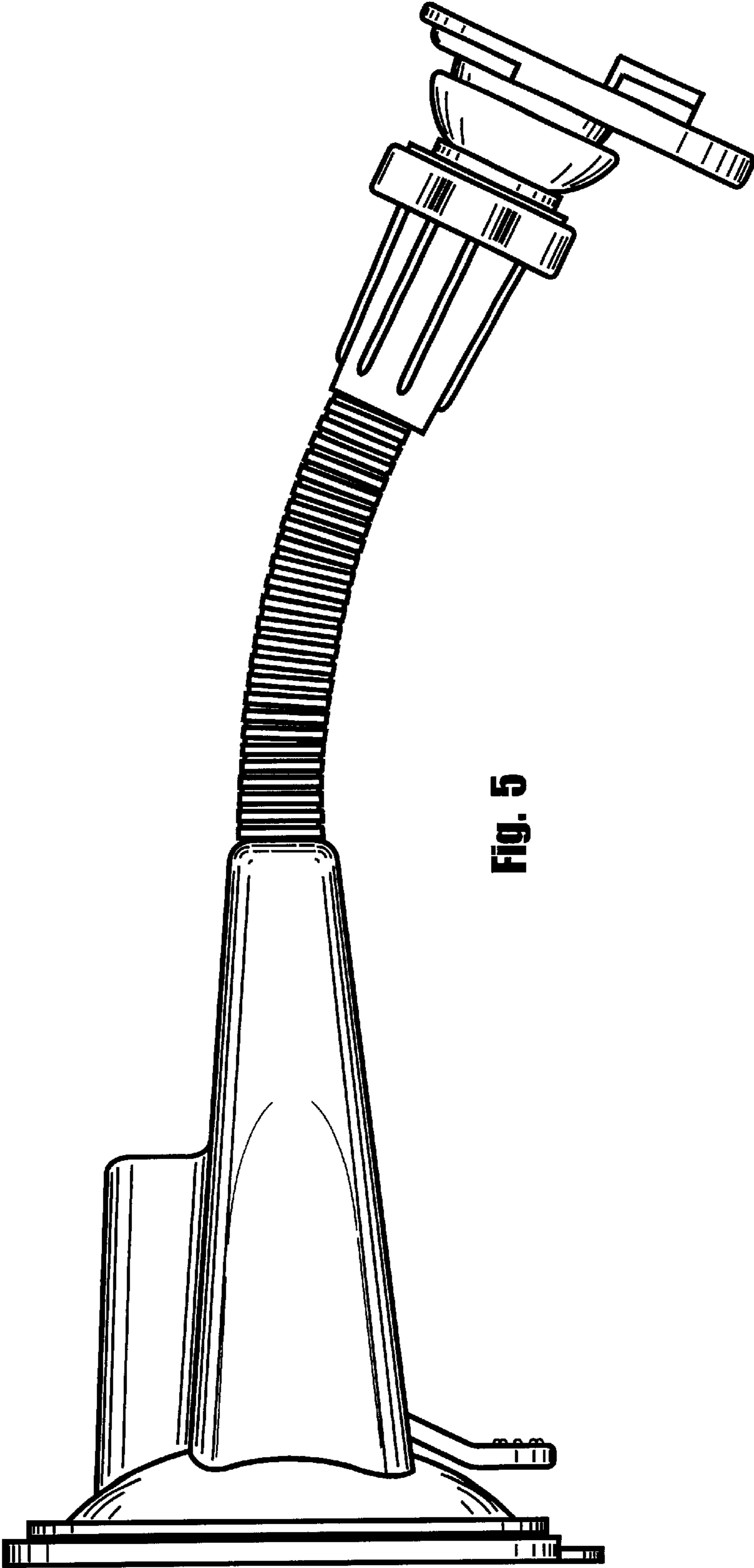


Fig. 5

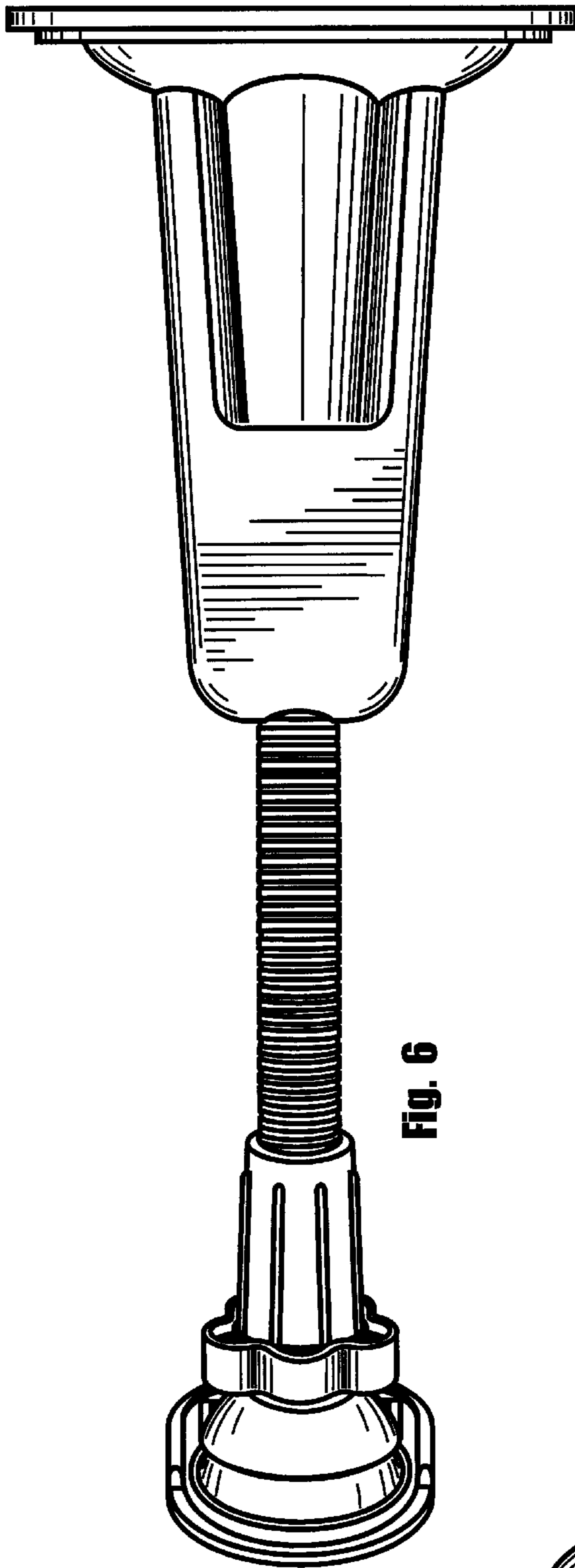


Fig. 6

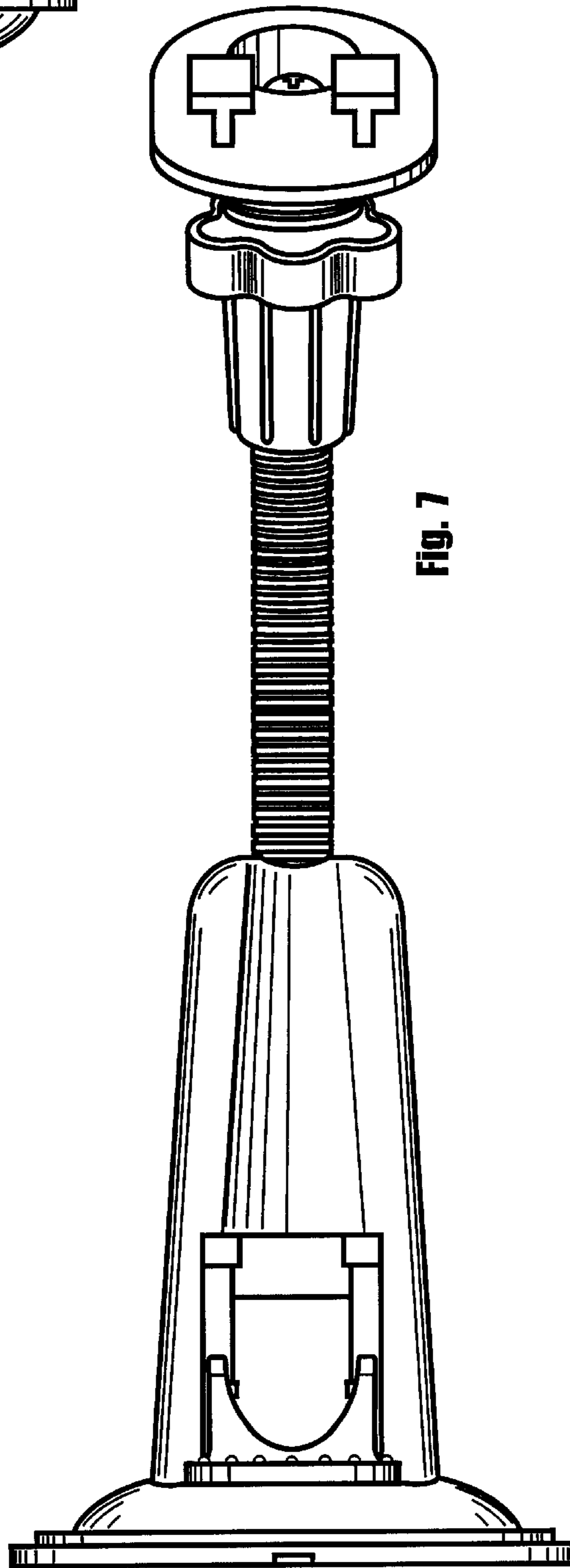


Fig. 7