



US00D533054S

(12) **United States Design Patent**
Brassard

(10) **Patent No.:** **US D533,054 S**

(45) **Date of Patent:** **** Dec. 5, 2006**

(54) **SINGLE CONNECTOR MOUNTING STRUCTURE**

(76) Inventor: **Paul Brassard**, 20 La Porte, Arcadia, CA (US) 91006

(**) Term: **14 Years**

(21) Appl. No.: **29/235,655**

(22) Filed: **Aug. 4, 2005**

(51) **LOC (8) Cl.** **08-05**

(52) **U.S. Cl.** **D8/373; D14/253; D14/434; D14/447**

(58) **Field of Classification Search** D14/224, D14/434, 251-253, 447, 452; 248/160, 205.8, 248/206.2, 274.1, 371, 917; 379/426, 446, 379/449, 454, 455; 455/90.3, 575.1, 575.9; D12/415; D8/350, 363; D13/177; D6/553; D16/242

See application file for complete search history.

(56) **References Cited**

U.S. PATENT DOCUMENTS

599,543 A * 2/1898 Whitaker 248/160
625,917 A * 5/1899 Arnold 248/274.1

2,481,271 A * 9/1949 Willey 379/455
4,842,174 A * 6/1989 Sheppard et al. 224/548
D410,622 S * 6/1999 Richter D12/425
6,749,160 B1 * 6/2004 Richter 248/206.2
2004/0155164 A1 * 8/2004 Richter 248/274.1

* cited by examiner

Primary Examiner—Ian Simmons

Assistant Examiner—Carla Jobe Wright

(74) *Attorney, Agent, or Firm*—James E. Brunton, Esq.

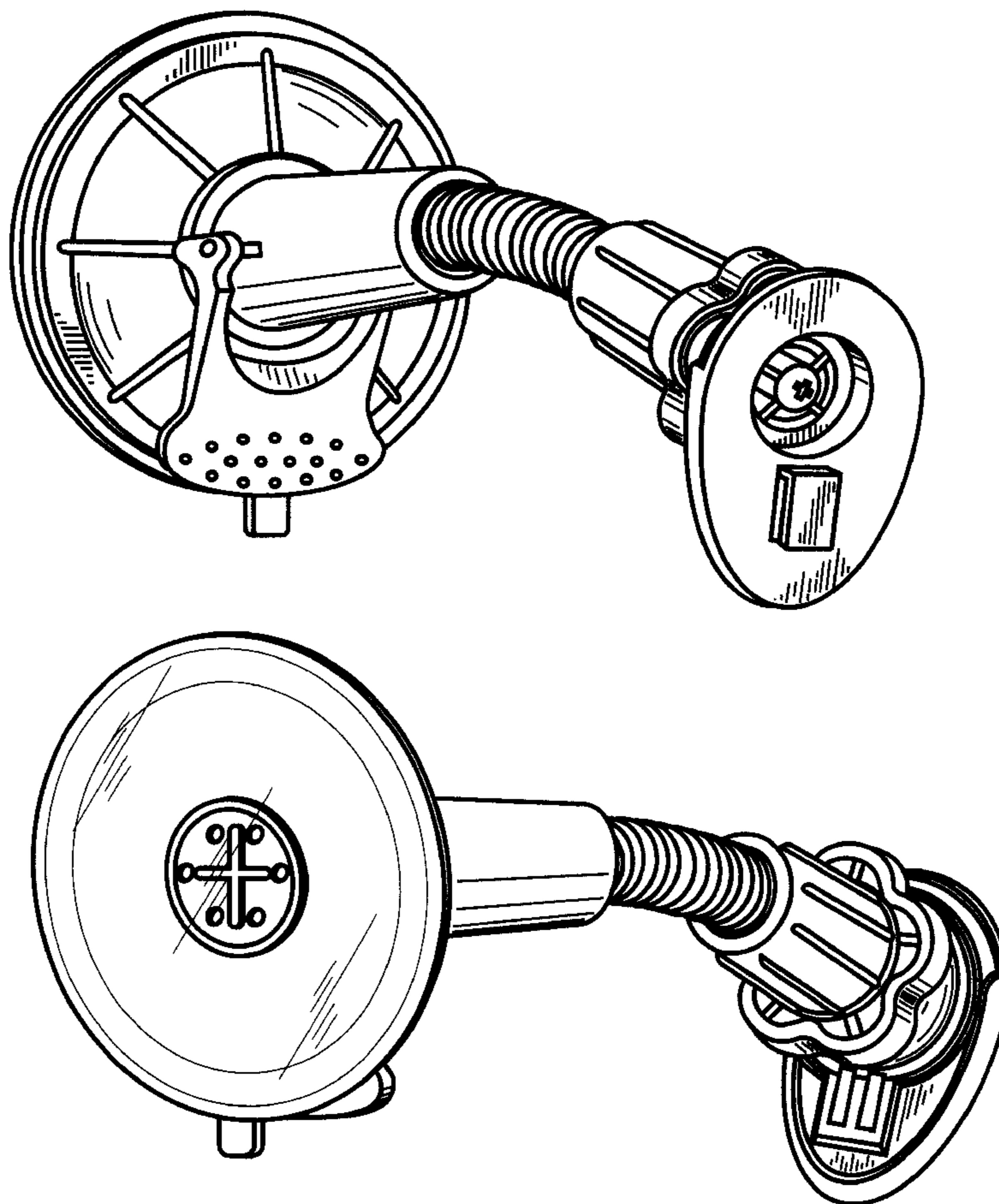
(57) **CLAIM**

The ornamental design for a single connector mounting structure, as shown and described.

DESCRIPTION

FIG. 1 is a perspective top view of a “single connector mounting structure” showing my new design; FIG. 2 is a perspective bottom view thereof; FIG. 3 is a top plan view thereof; FIG. 4 is a bottom plan view thereof; FIG. 5 is a side view thereof; the opposite side being a mirror image thereto; FIG. 6 is a front view thereof; and, FIG. 7 is a rear view thereof.

1 Claim, 5 Drawing Sheets



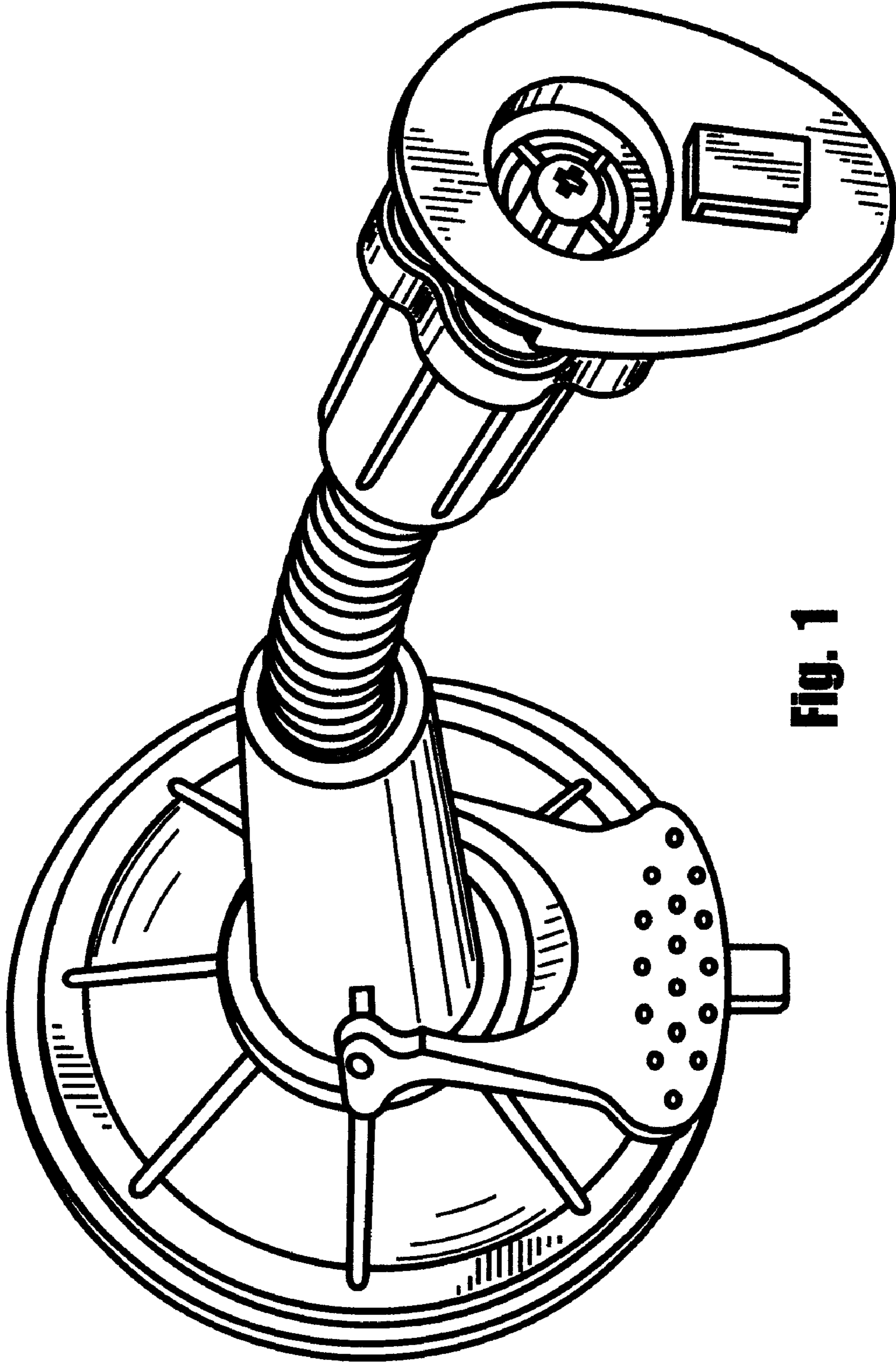


Fig. 1

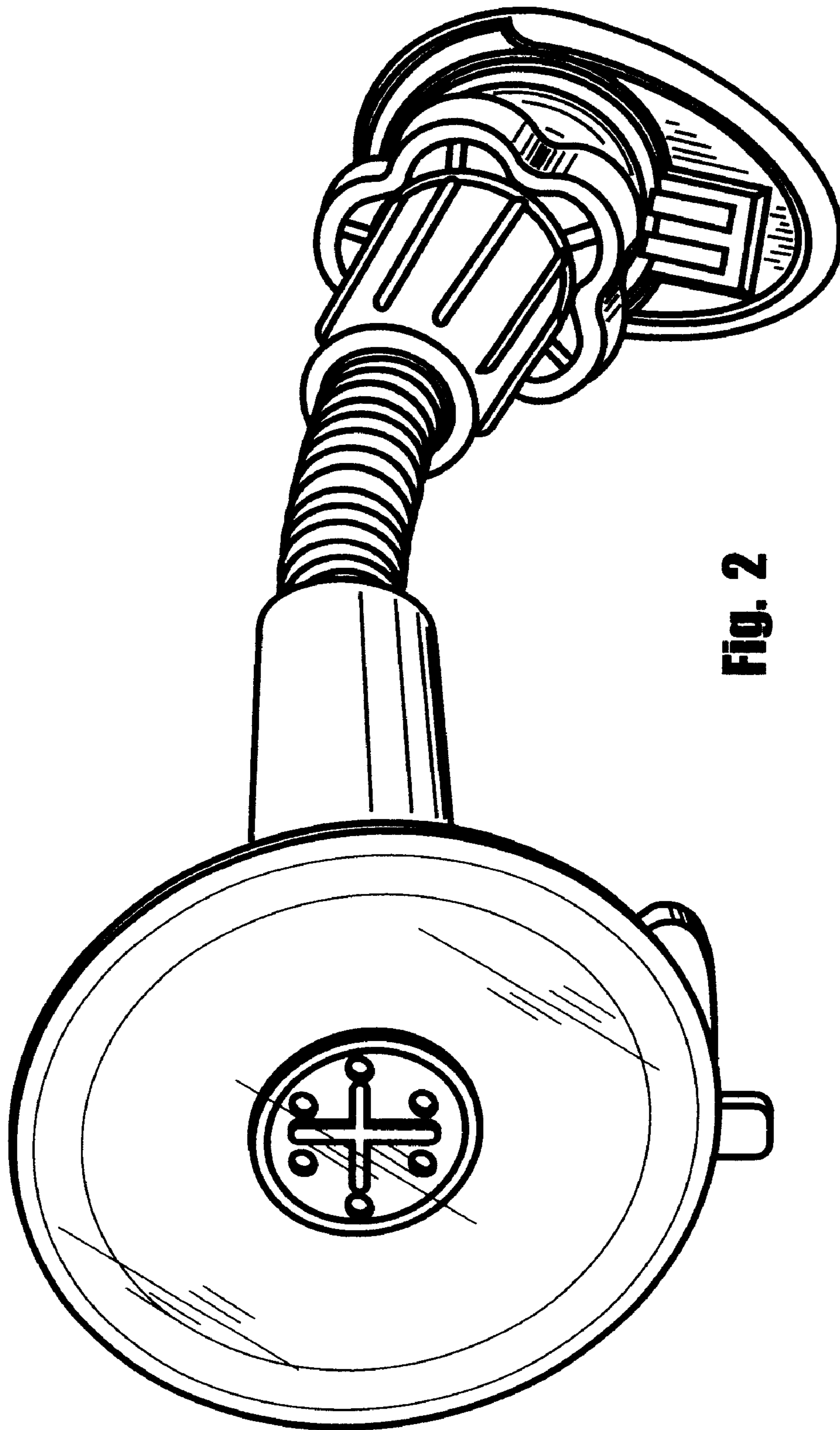


Fig. 2

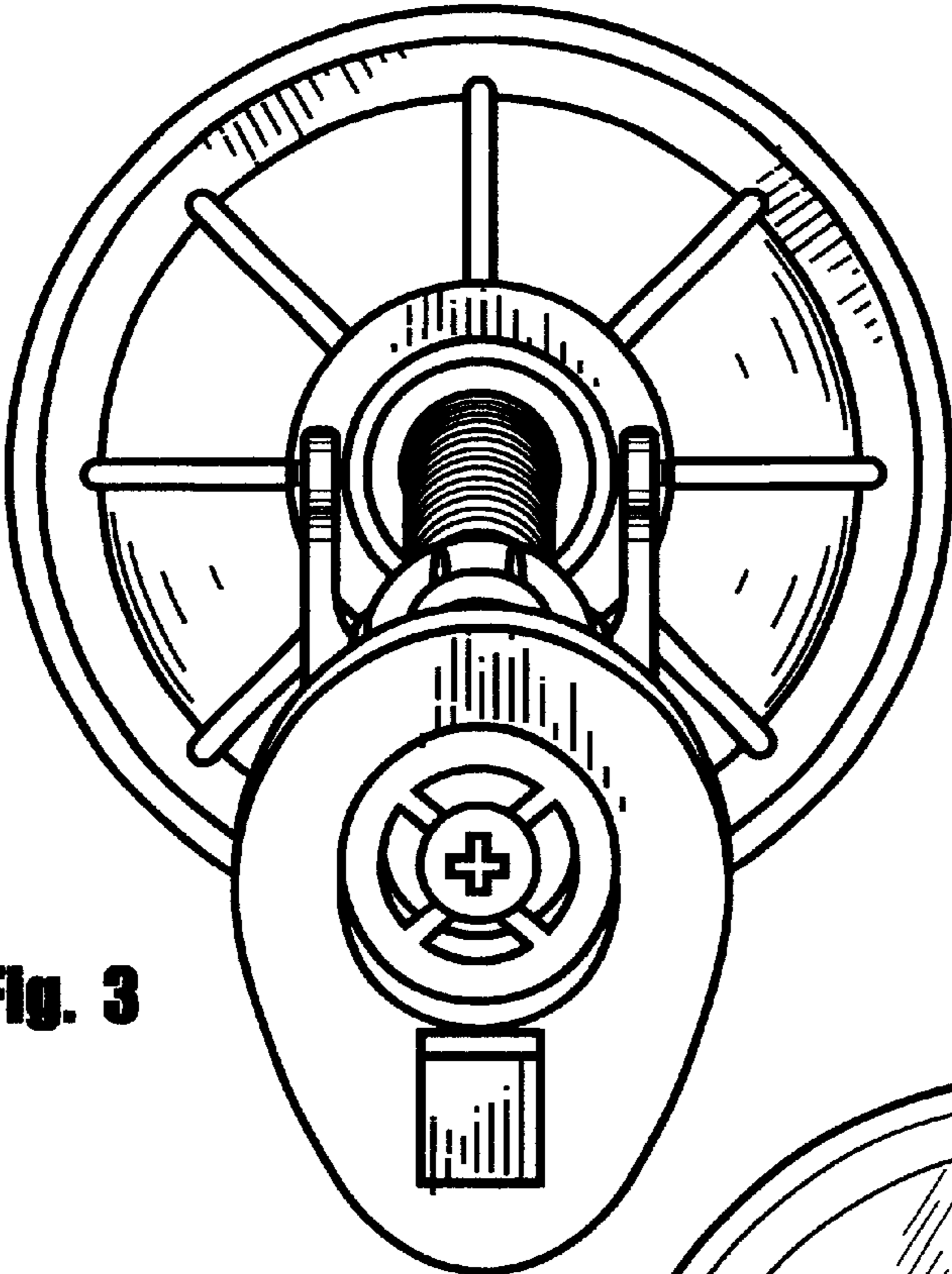


Fig. 3

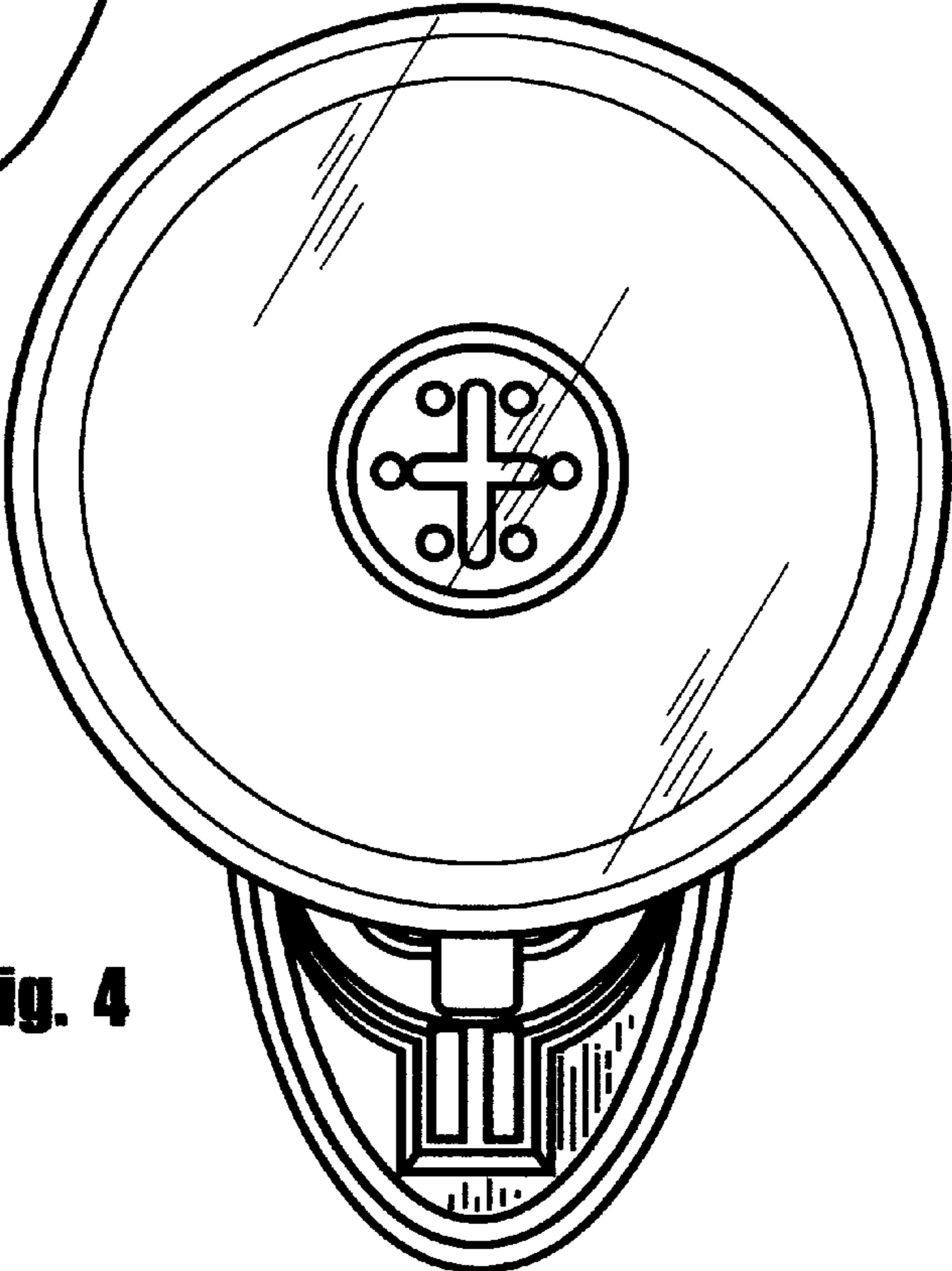


Fig. 4

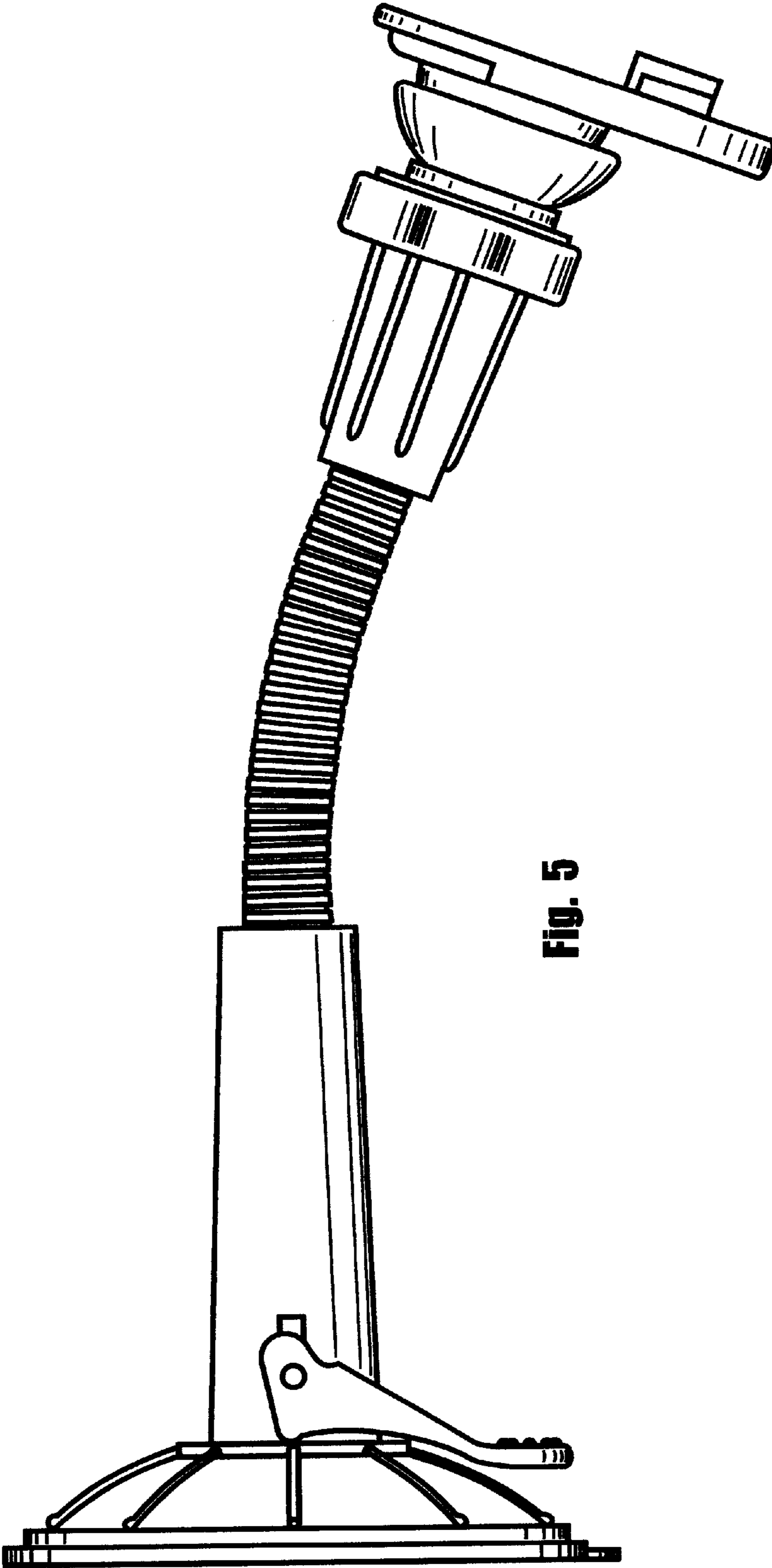


Fig. 5

