



US00D533052S

(12) **United States Design Patent**  
**Hodjat et al.**

(10) **Patent No.:** **US D533,052 S**  
(45) **Date of Patent:** **\*\* Dec. 5, 2006**

(54) **CRANKSHAFT DAMPER**  
(75) Inventors: **Yahya Hodjat**, Oxford, MI (US); **Marc R. Cadarette**, London (CA); **Lin Zhu**, Rochester Hills, MI (US)

(73) Assignee: **The Gates Corporation**, Denver, CO (US)

(\*\*) Term: **14 Years**

(21) Appl. No.: **29/210,757**

(22) Filed: **Aug. 5, 2004**

(51) **LOC (8) Cl.** ..... **08-05**

(52) **U.S. Cl.** ..... **D8/360**

(58) **Field of Classification Search** ..... D8/360;  
474/94, 180, 168, 176-177

See application file for complete search history.

(56) **References Cited**

**U.S. PATENT DOCUMENTS**

D308,013 S \* 5/1990 Kanemitsu ..... D8/360  
D317,709 S \* 6/1991 Kanemitsu ..... D8/360

D347,378 S \* 5/1994 Warner ..... D8/360  
6,386,065 B1 5/2002 Hodjat ..... 74/574  
D459,197 S 6/2002 Hodjat ..... D8/360  
D459,198 S 6/2002 Hodjat ..... D8/360  
D481,615 S 11/2003 Hodjat et al. .... D8/360  
D489,962 S 5/2004 Hodjat et al. .... D8/360  
D492,579 S 7/2004 Hodjat ..... D8/360

\* cited by examiner

*Primary Examiner*—Holly Baynham

(74) *Attorney, Agent, or Firm*—J. A. Thurnau, Esq.; C. H. Castleman, Esq.; J. L. Mahurin, Esq.

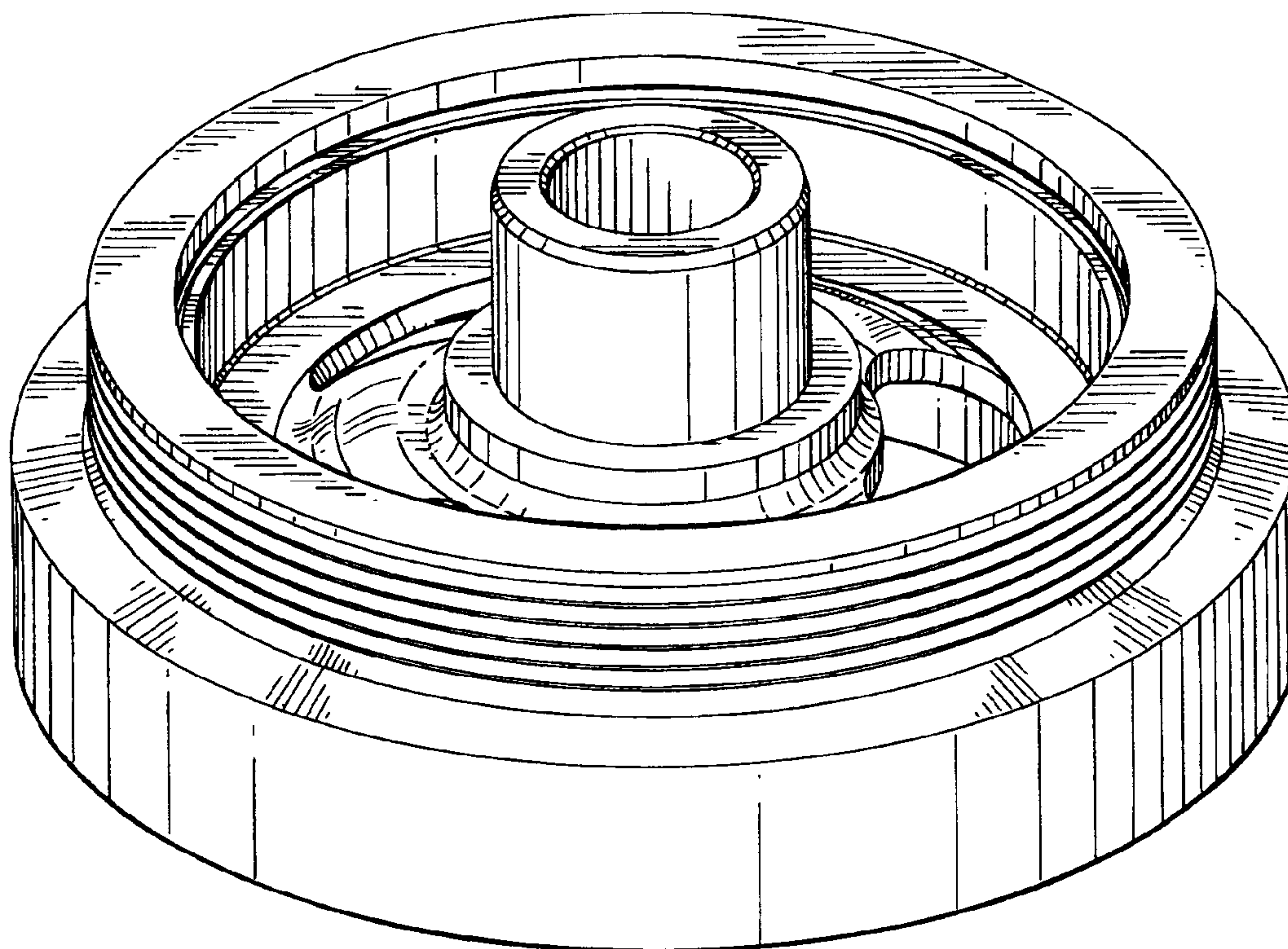
(57) **CLAIM**

The ornamental design for a crankshaft damper, as shown and described.

**DESCRIPTION**

FIG. 1 is a rear elevation view.  
FIG. 2 is a cross-sectional view at line 2—2 in FIG. 1.  
FIG. 3 is a front elevation view.  
FIG. 4 is a side plan view; and,  
FIG. 5 is a rear perspective view.

**1 Claim, 3 Drawing Sheets**



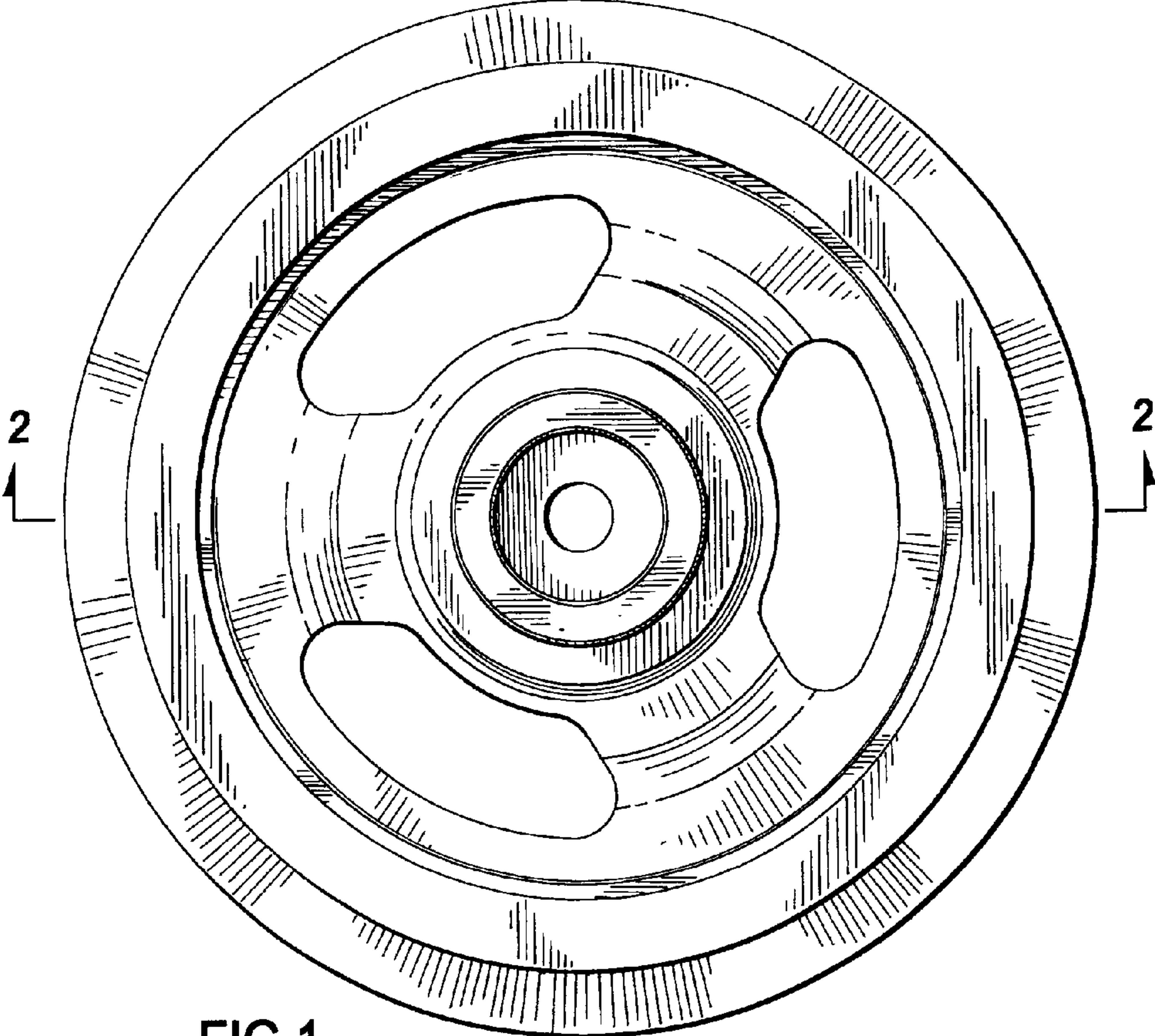


FIG.1

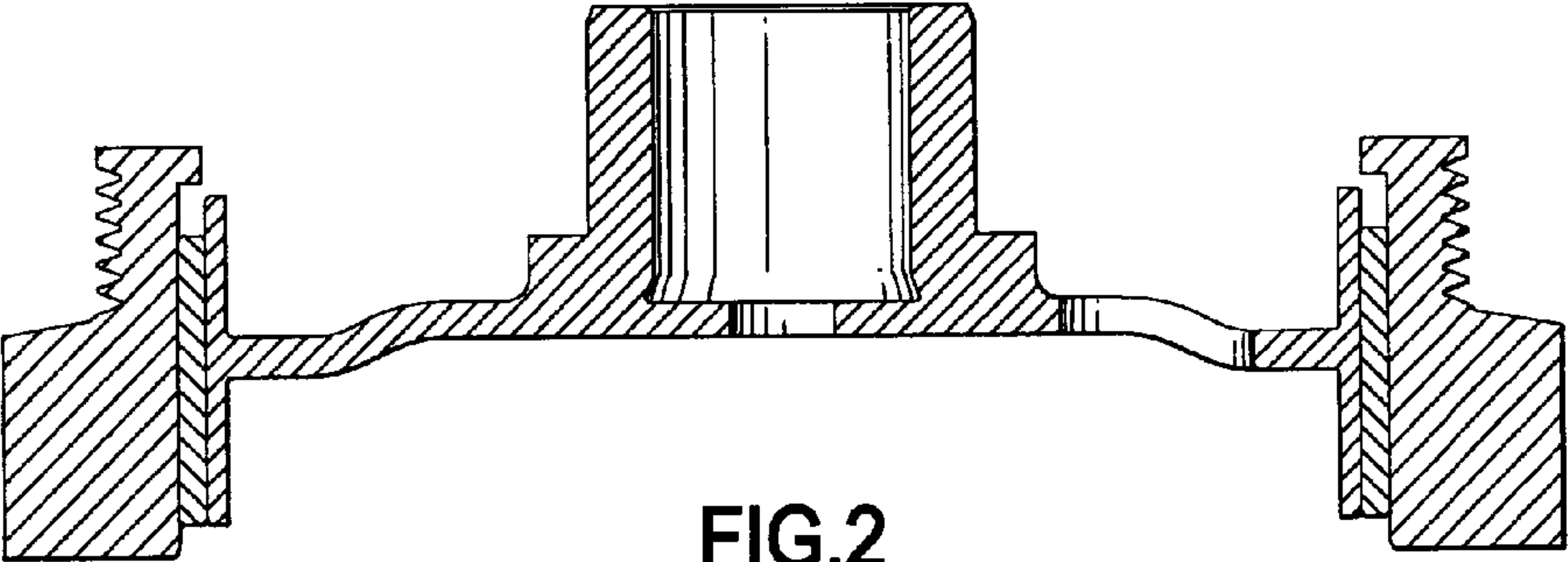


FIG.2

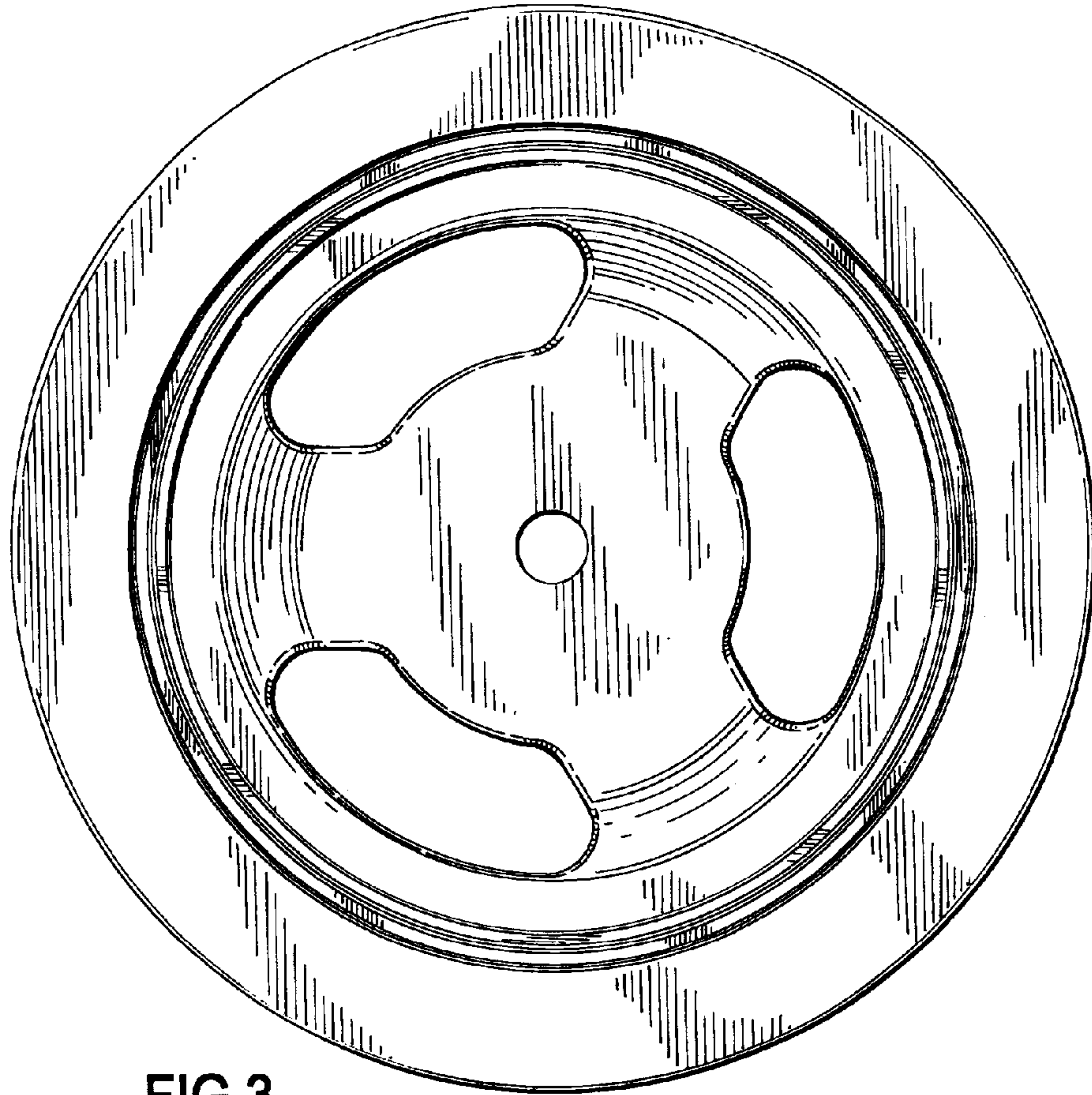


FIG.3

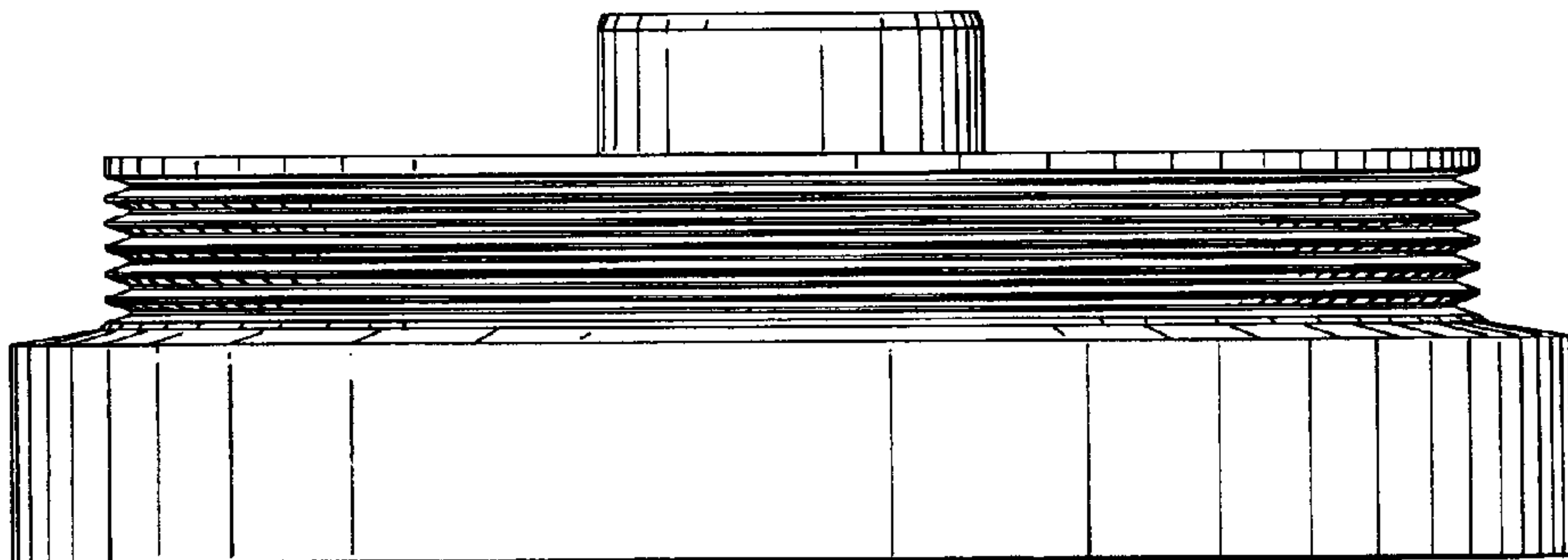


FIG.4



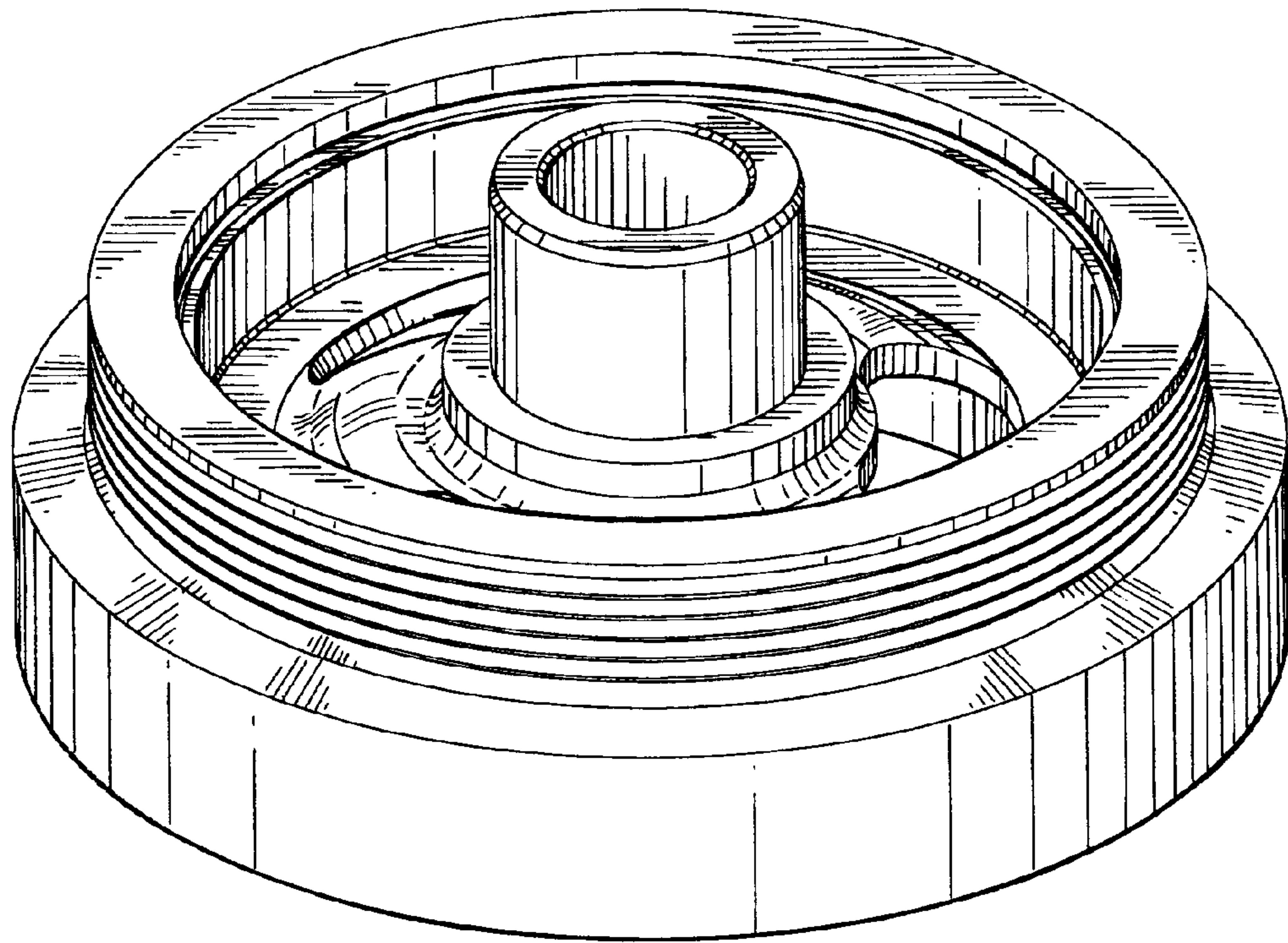


FIG.5