



US00D533050S

(12) **United States Design Patent**
Kelleghan

(10) **Patent No.:** **US D533,050 S**
(45) **Date of Patent:** **** Dec. 5, 2006**

(54) **RIBBON SHAPED CARABINER**

D476,218 S 6/2003 Kelleghan
D487,014 S 2/2004 Kelleghan
D492,188 S 6/2004 Goldberg

(75) Inventor: **Brian James Kelleghan**, Longmont,
CO (US)

* cited by examiner

(73) Assignee: **Bison Designs, LLC**, Longmont, CO
(US)

Primary Examiner—Holly Baynham
(74) *Attorney, Agent, or Firm*—Margaret Polson; Patent
Law Offices of Rick Martin, PC

(**) Term: **14 Years**

(57) **CLAIM**

(21) Appl. No.: **29/219,390**

The ornamental design for a ribbon shaped carabiner, as
shown and described.

(22) Filed: **Dec. 16, 2004**

(51) **LOC (8) Cl.** **08-05**

(52) **U.S. Cl.** **D8/356**

(58) **Field of Classification Search** D8/356;
D11/77, 81; 24/573.5, 599.1
See application file for complete search history.

DESCRIPTION

FIG. 1 is a top or bottom plan view, which are mirror images,
of my new design for a ribbon shaped carabiner.

FIG. 2 is a right elevation view of the carabiner shown in
FIG. 1.

FIG. 3 is a left side elevation view of the carabiner shown
in FIG. 1.

FIG. 4 is a front side elevation view of the carabiner shown
in FIG. 1.

FIG. 5 is a rear side elevation view of the carabiner shown
in FIG. 1.

FIG. 6 is a top perspective view of the carabiner shown in
FIG. 1.

FIG. 7 is a perspective view thereof; and,

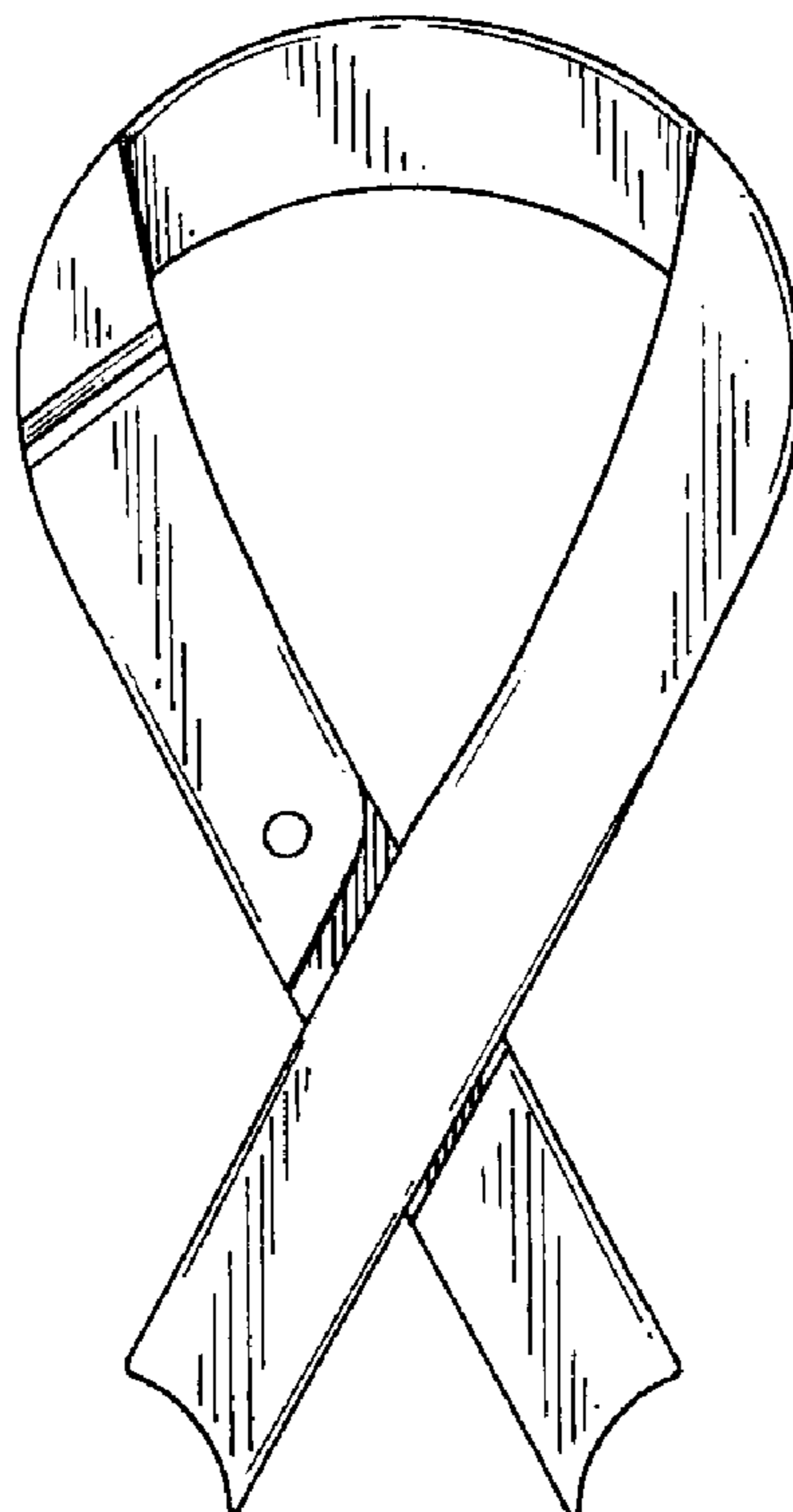
FIG. 8 is another perspective view thereof.

(56) **References Cited**

U.S. PATENT DOCUMENTS

4,414,865 A	11/1983	Brooks et al.	
D277,160 S	1/1985	Antone	
D392,912 S	* 3/1998	Roos et al.	D11/81
D394,822 S	* 6/1998	Swenson et al.	D11/77
D447,932 S	9/2001	Kelleghan	
D448,276 S	9/2001	Kelleghan	
D455,978 S	* 4/2002	Brown	D11/98
D465,993 S	11/2002	Kelleghan	
D475,276 S	6/2003	Kelleghan	
D475,603 S	6/2003	Kelleghan	

1 Claim, 1 Drawing Sheet



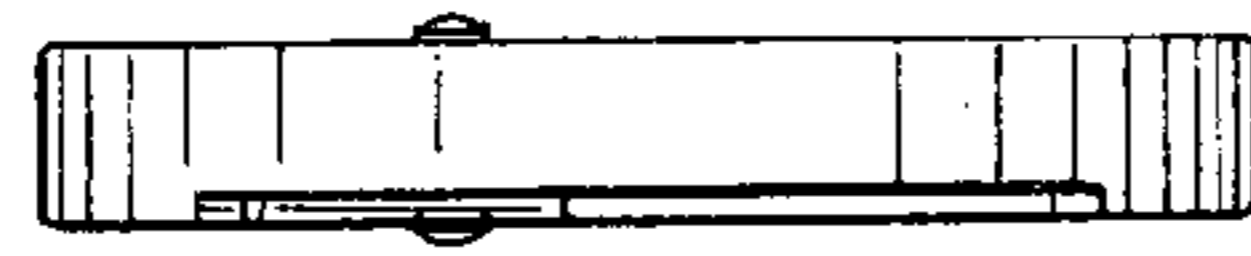


FIG. 5



FIG. 3

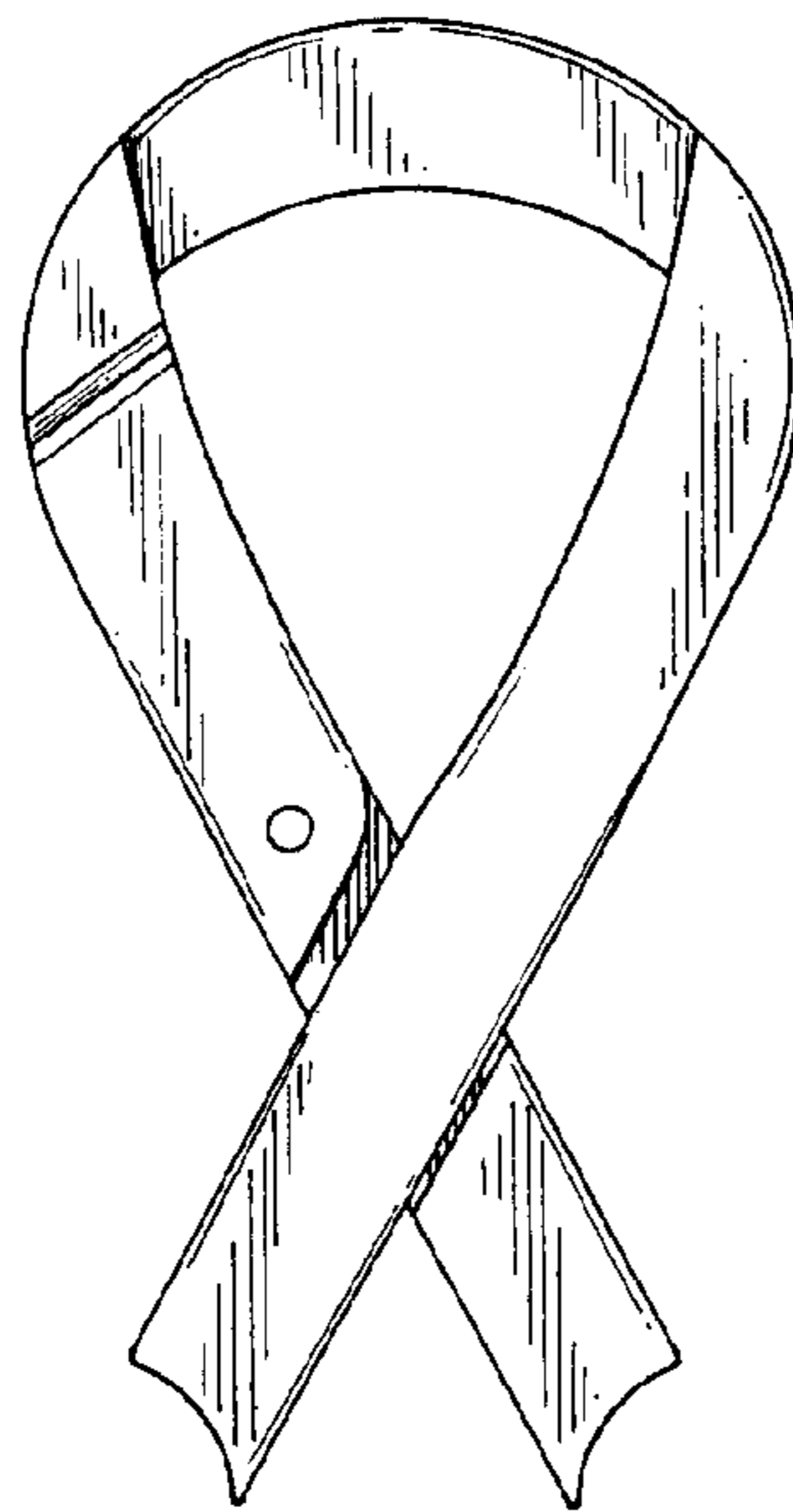


FIG. 1



FIG. 4

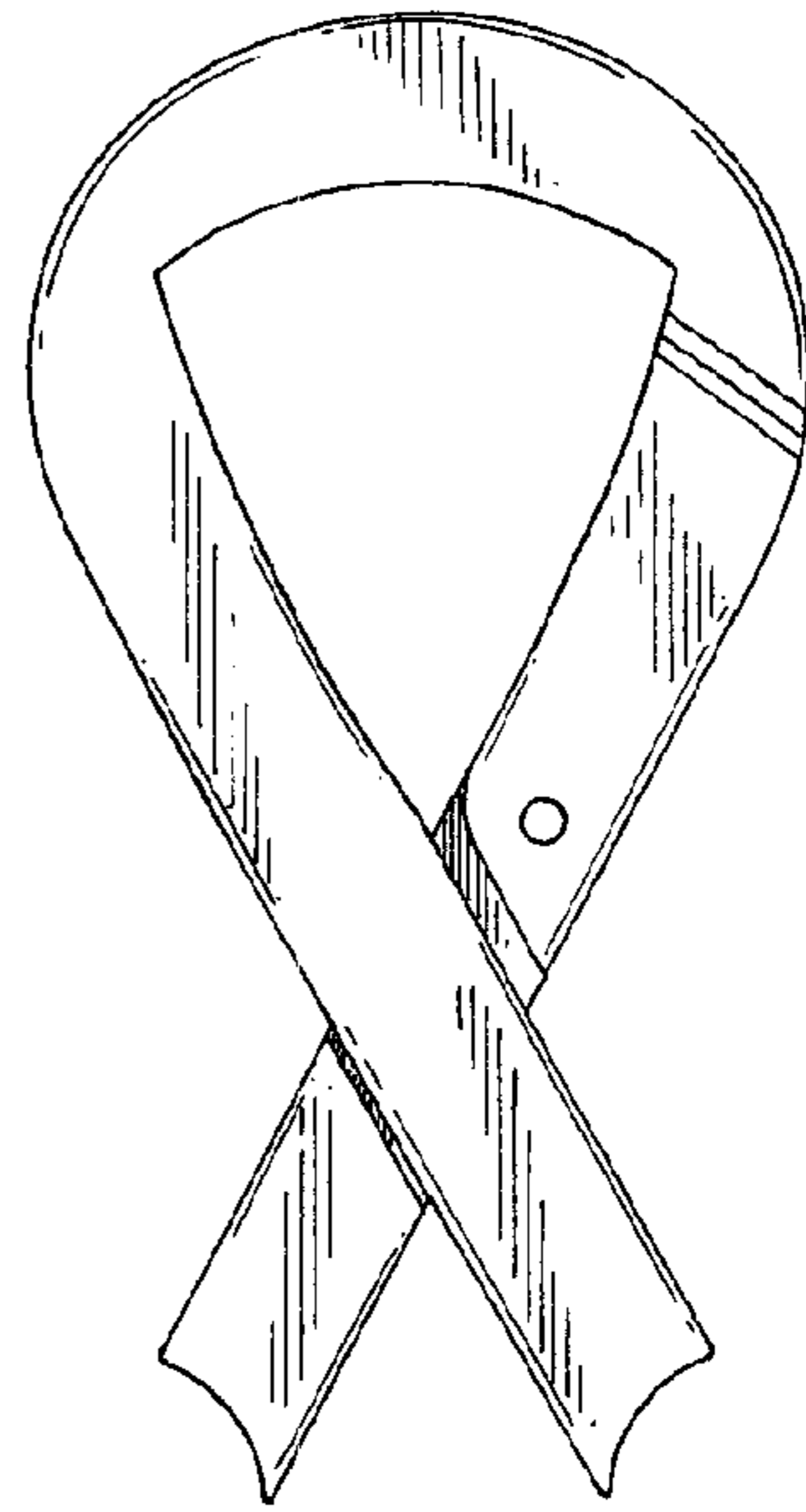


FIG. 2



FIG. 6

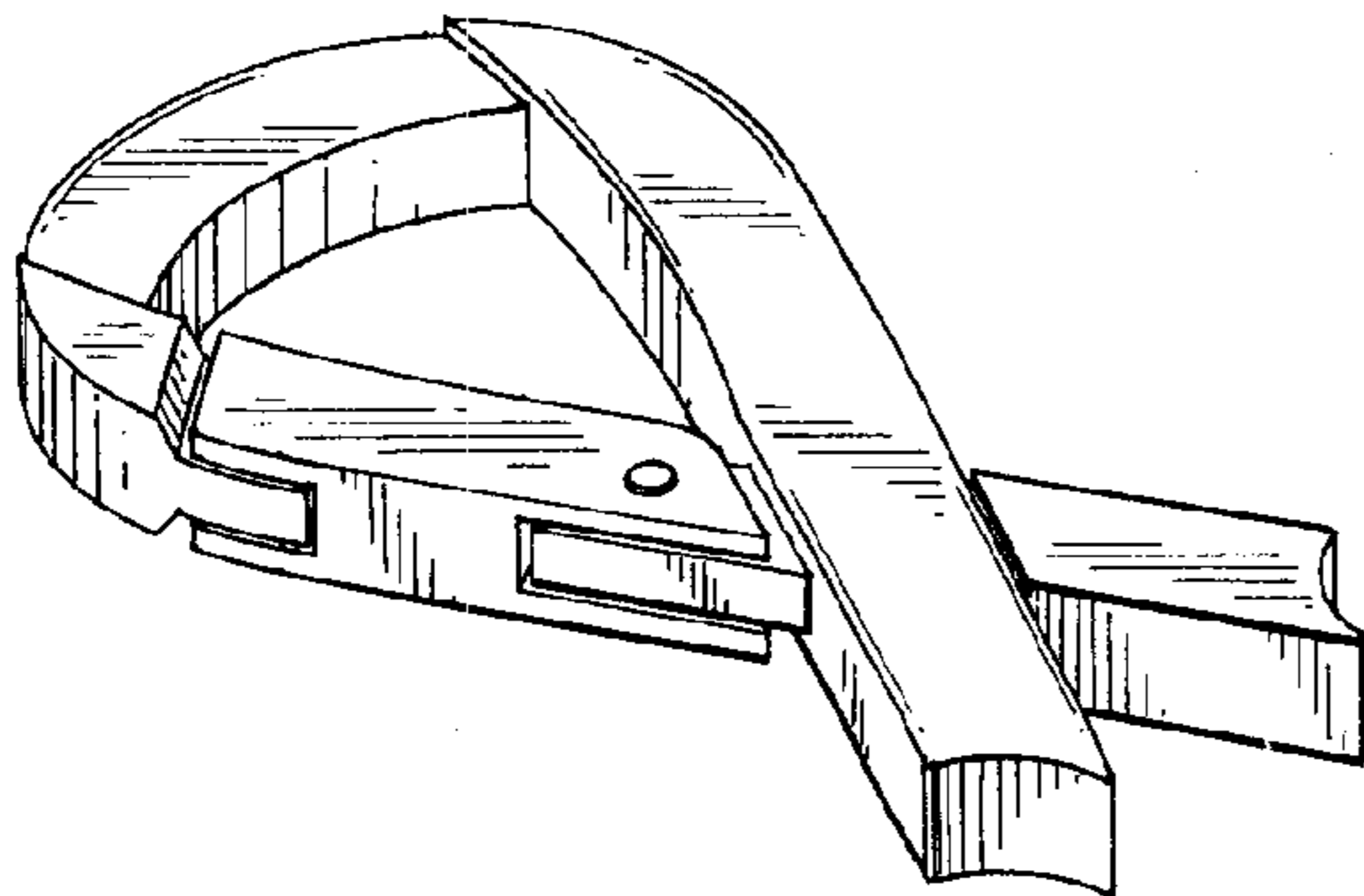


FIG. 7

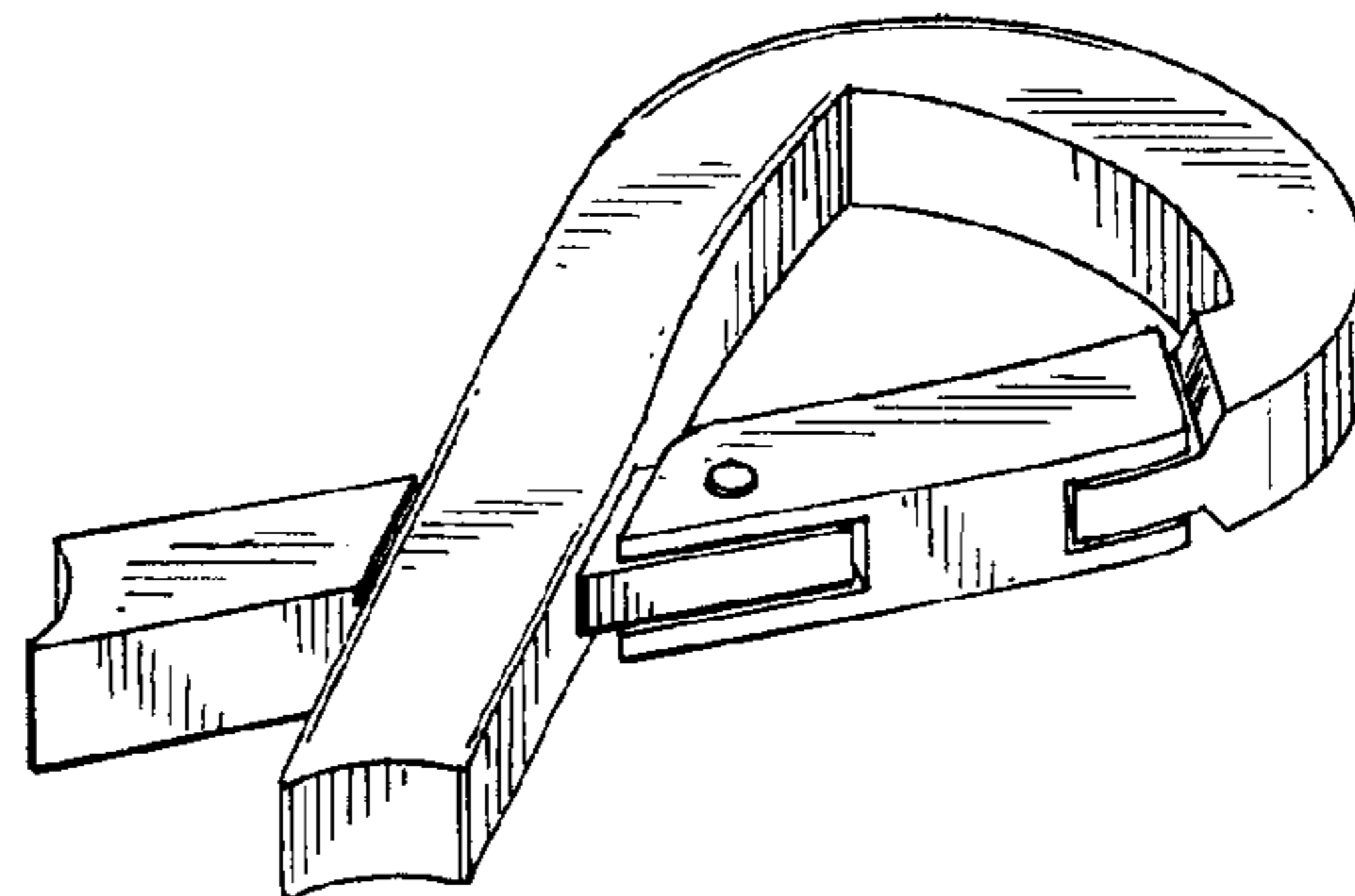


FIG. 8