



US00D533049S

(12) **United States Design Patent**  
**Fabrizi**

(10) **Patent No.:** **US D533,049 S**  
(45) **Date of Patent:** **\*\* Dec. 5, 2006**

(54) **COVER PLATE FOR WALL MOUNTING  
ELECTRICAL APPARATUS**

(75) Inventor: **Fabrizio Fabrizio**, Bergamo (IT)

(73) Assignee: **Bticino S.p.A.**, Milan (IT)

(\*\*) Term: **14 Years**

(21) Appl. No.: **29/239,671**

(22) Filed: **Oct. 3, 2005**

(51) **LOC (8) Cl.** ..... **11-05**

(52) **U.S. Cl.** ..... **D8/353**

(58) **Field of Classification Search** ..... D8/350-353;  
D13/156, 177, 152, 154, 158, 173, 169, 171,  
D13/139.1-139.8; D14/159; D25/60; 379/167;  
439/536; 174/66, 67, 55; 220/241, 242, 3.7,  
220/3.8

See application file for complete search history.

(56) **References Cited**

**U.S. PATENT DOCUMENTS**

5,036,168 A \* 7/1991 Kikuchi et al. .... 200/5 R  
5,041,698 A \* 8/1991 Takagi et al. .... 174/66  
5,375,728 A \* 12/1994 West ..... 220/3.8

D379,453 S \* 5/1997 Fabrizio ..... D13/177  
6,281,440 B1 \* 8/2001 Baldwin et al. .... 174/66  
D473,528 S \* 4/2003 Wengrower ..... D13/169  
D493,695 S \* 8/2004 Wengrower ..... D8/353  
D508,198 S \* 8/2005 Holger ..... D8/353

\* cited by examiner

*Primary Examiner*—Stella Reid

*Assistant Examiner*—Mark Goodwin

(74) *Attorney, Agent, or Firm*—Hogan & Hartson LLP

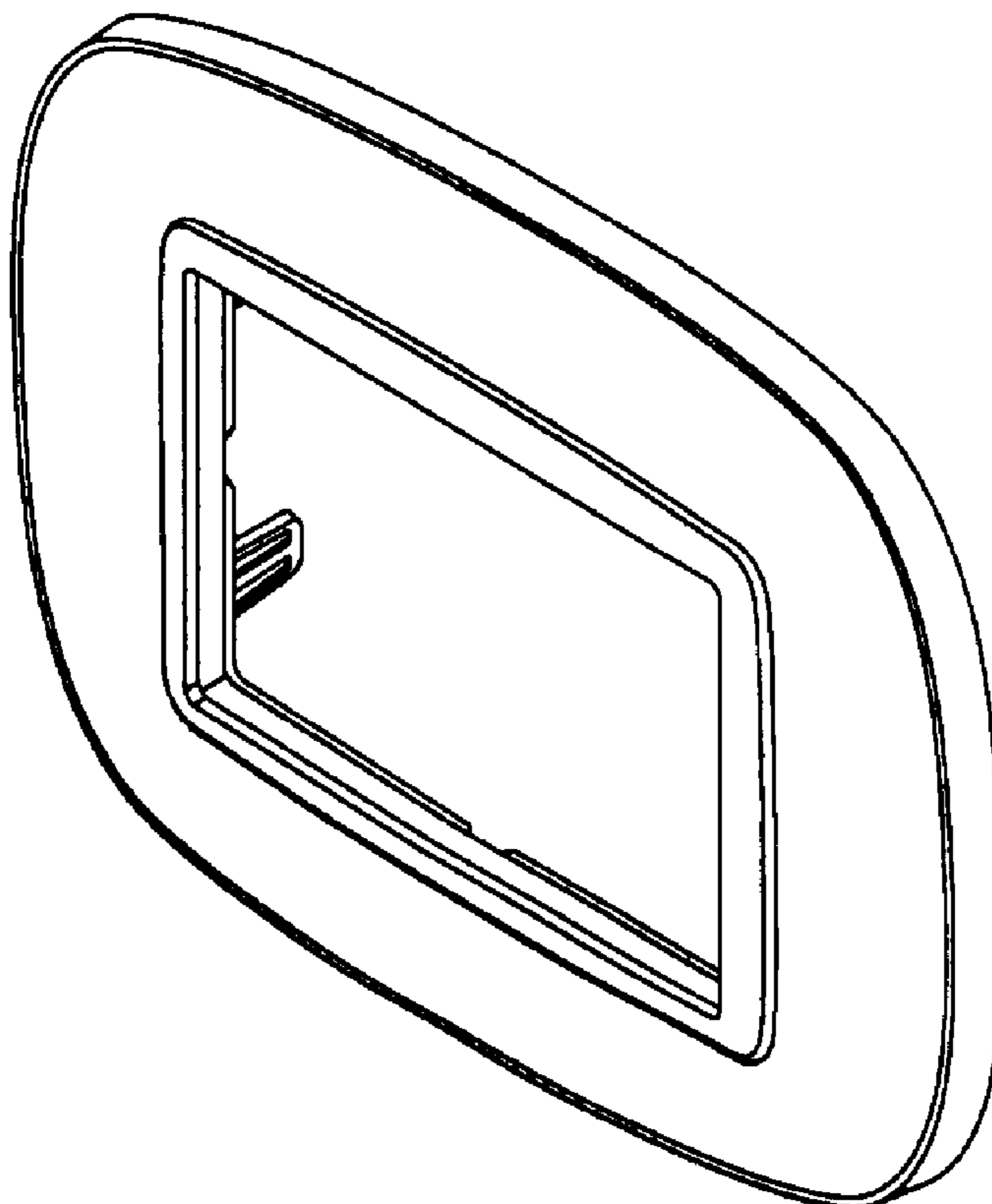
(57) **CLAIM**

The ornamental design for a cover plate for wall mounting electrical apparatus, as shown and described.

**DESCRIPTION**

FIG. 1 is a bottom view of a cover plate for wall mounting electrical apparatus showing my new design;  
FIG. 2 is a right side view thereof;  
FIG. 3 is a front view thereof;  
FIG. 4 is a left side view thereof;  
FIG. 5 is a top view thereof; and,  
FIG. 6 is a perspective view thereof.  
The rear view has not been shown as it is not being claimed.

**1 Claim, 2 Drawing Sheets**



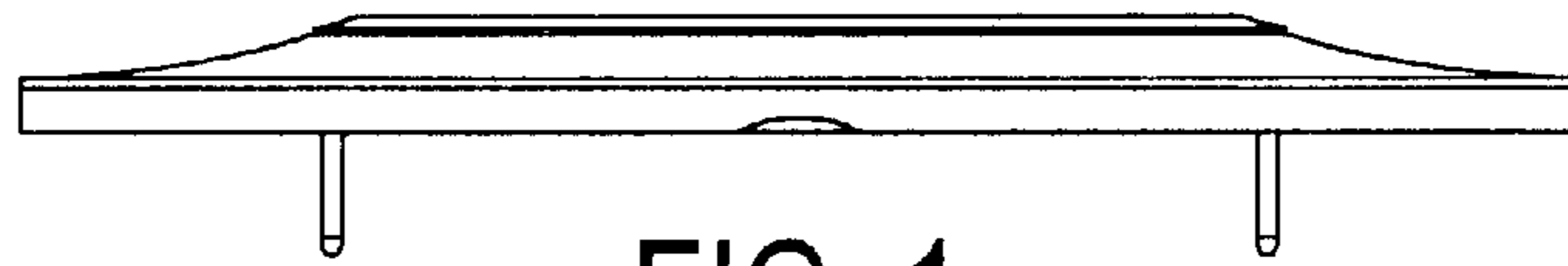


FIG. 1

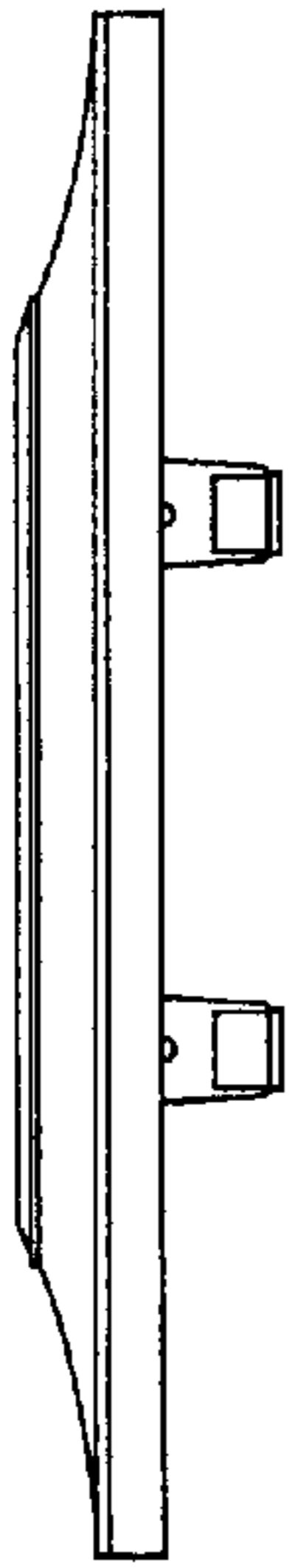


FIG. 2

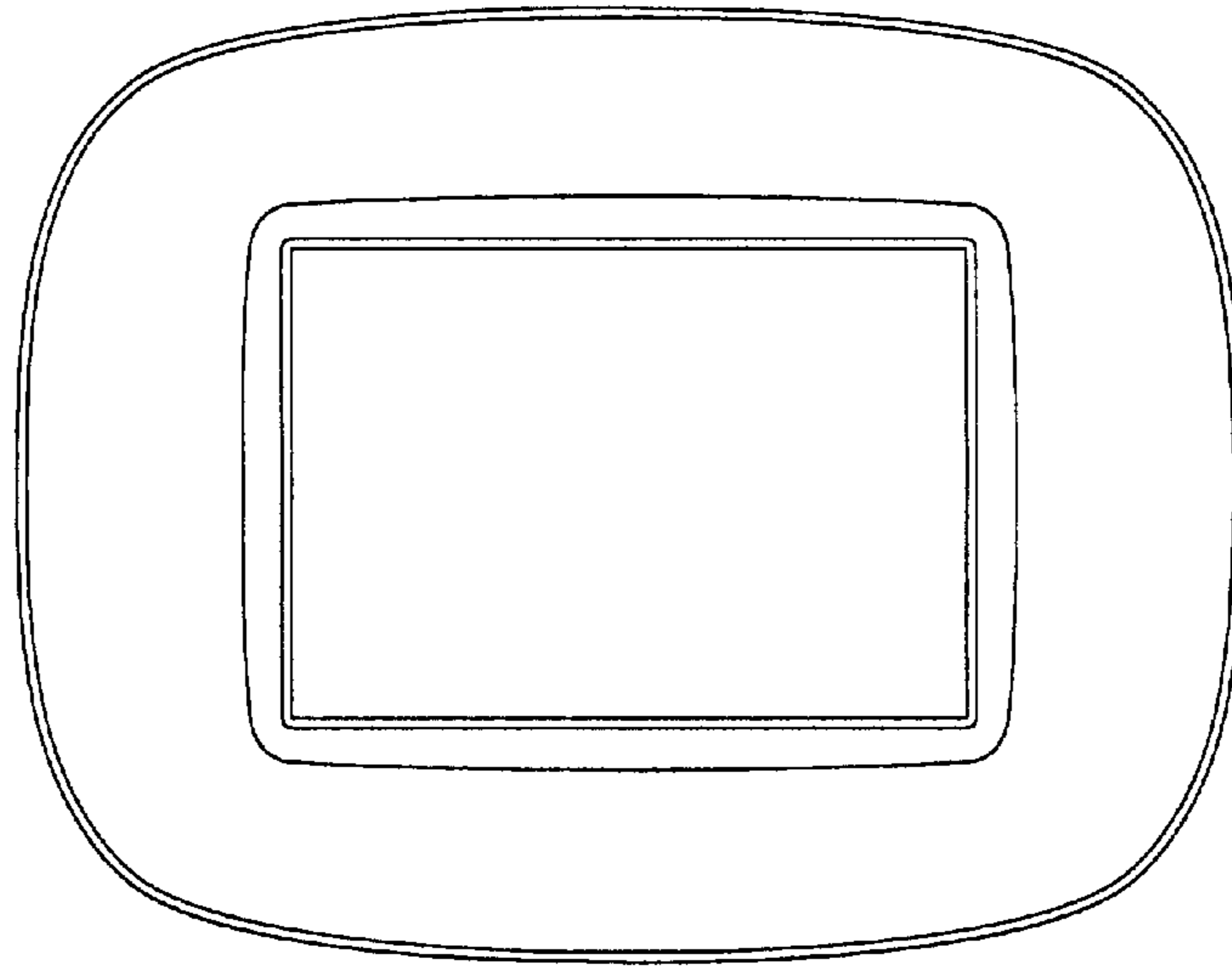


FIG. 3



FIG. 4

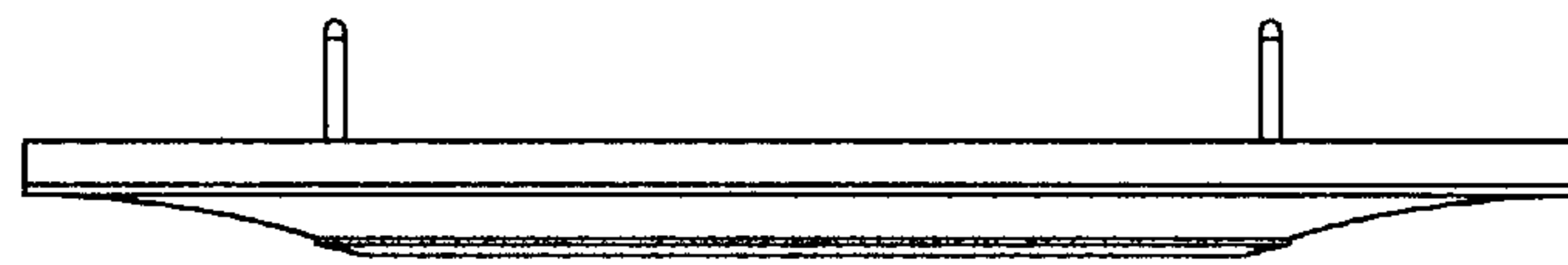


FIG. 5

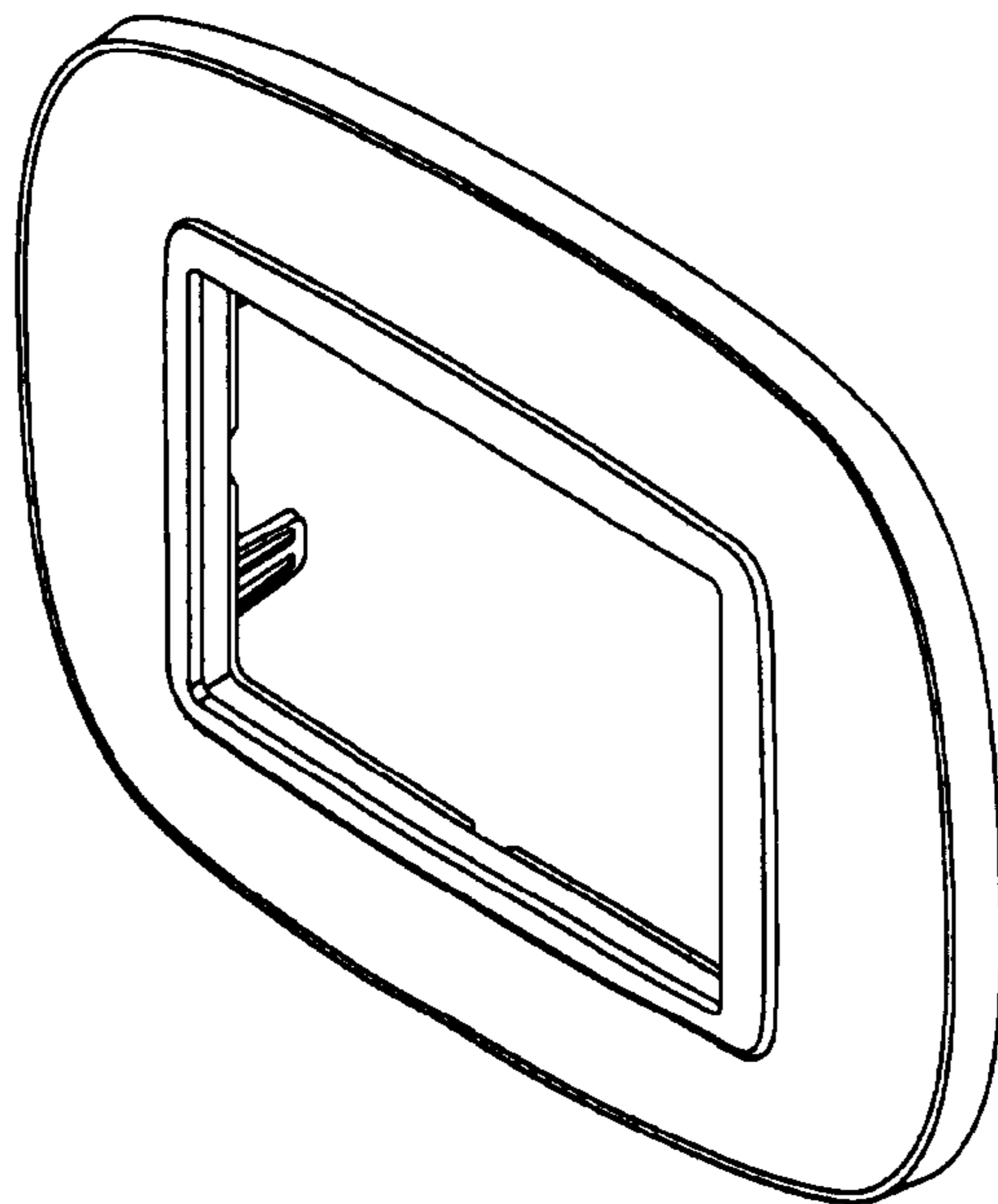


FIG. 6