

US00D533044S

(12) **United States Design Patent**
Buening

(10) **Patent No.:** **US D533,044 S**

(45) **Date of Patent:** **** Dec. 5, 2006**

(54) **BULLET SHAPED LETTER OPENER**

(76) Inventor: **Dennis J. Buening**, 46151 Bloomcrest Dr., Northville, MI (US) 48167

(**) Term: **14 Years**

(21) Appl. No.: **29/253,036**

(22) Filed: **Jan. 31, 2006**

(51) **LOC (8) Cl.** **08-03**

(52) **U.S. Cl.** **D8/103**

(58) **Field of Classification Search** D8/102-105,
D8/14, 48, 98; D19/72, 43, 42, 36; D24/145,
D24/147; D3/208, 210; 254/28; 7/158, 160;
30/286, DIG. 30, 123; D22/116; D11/81;
D14/403

See application file for complete search history.

(56) **References Cited**

U.S. PATENT DOCUMENTS

948,124	A	*	2/1910	Ahrens	401/85
1,241,409	A	*	9/1917	Lizarga	102/501
D138,416	S	*	8/1944	Fernandez	D19/42
2,372,970	A	*	4/1945	Americus	102/436
2,683,416	A	*	7/1954	Keller	102/513
D220,296	S	*	3/1971	Mitchell	D19/42
3,991,684	A	*	11/1976	Pritchard	102/510
D253,136	S	*	10/1979	Lynch	D11/232
D256,329	S		8/1980	Murtagh		
D322,862	S		12/1991	Miller		
D372,660	S	*	8/1996	Niessner	D8/343
5,565,646	A	*	10/1996	Williams	102/439
D375,670	S		11/1996	Cox		
D389,221	S	*	1/1998	Borg	D22/116
D420,271	S		2/2000	Wenk		
D435,886	S	*	1/2001	Benini	D22/116
D438,541	S	*	3/2001	Hervig et al.	D14/403
D444,171	S	*	6/2001	McCullough	D19/42

D447,208	S	*	8/2001	Benini	D22/116
D447,209	S	*	8/2001	Benini	D22/116
D467,831	S	*	12/2002	Rauber	D11/81
D469,095	S		1/2003	Hervig et al.		
D474,471	S	*	5/2003	Hervig et al.	D14/403
D478,909	S	*	8/2003	Hervig et al.	D14/403
D491,222	S	*	6/2004	Derman	D19/42
D496,398	S	*	9/2004	Greenberg	D19/43
D500,952	S		1/2005	Moore		
D512,625	S		12/2005	Cheldin		

* cited by examiner

Primary Examiner—Cathron C. Brooks

Assistant Examiner—Austin Murphy

(74) *Attorney, Agent, or Firm*—Miller, Canfield Paddock and Stone; Robert K. Roth

(57) **CLAIM**

The ornamental design for a bullet shaped letter opener, as shown and described.

DESCRIPTION

FIG. 1 is a perspective view of a bullet shaped letter opener shown in a casing.

FIG. 2 is a perspective view of the bullet shaped letter opener of FIG. 1 shown removed from the casing for completeness of illustration

FIG. 3 is a side view of the bullet shaped letter opener of FIG. 1 shown in the casing.

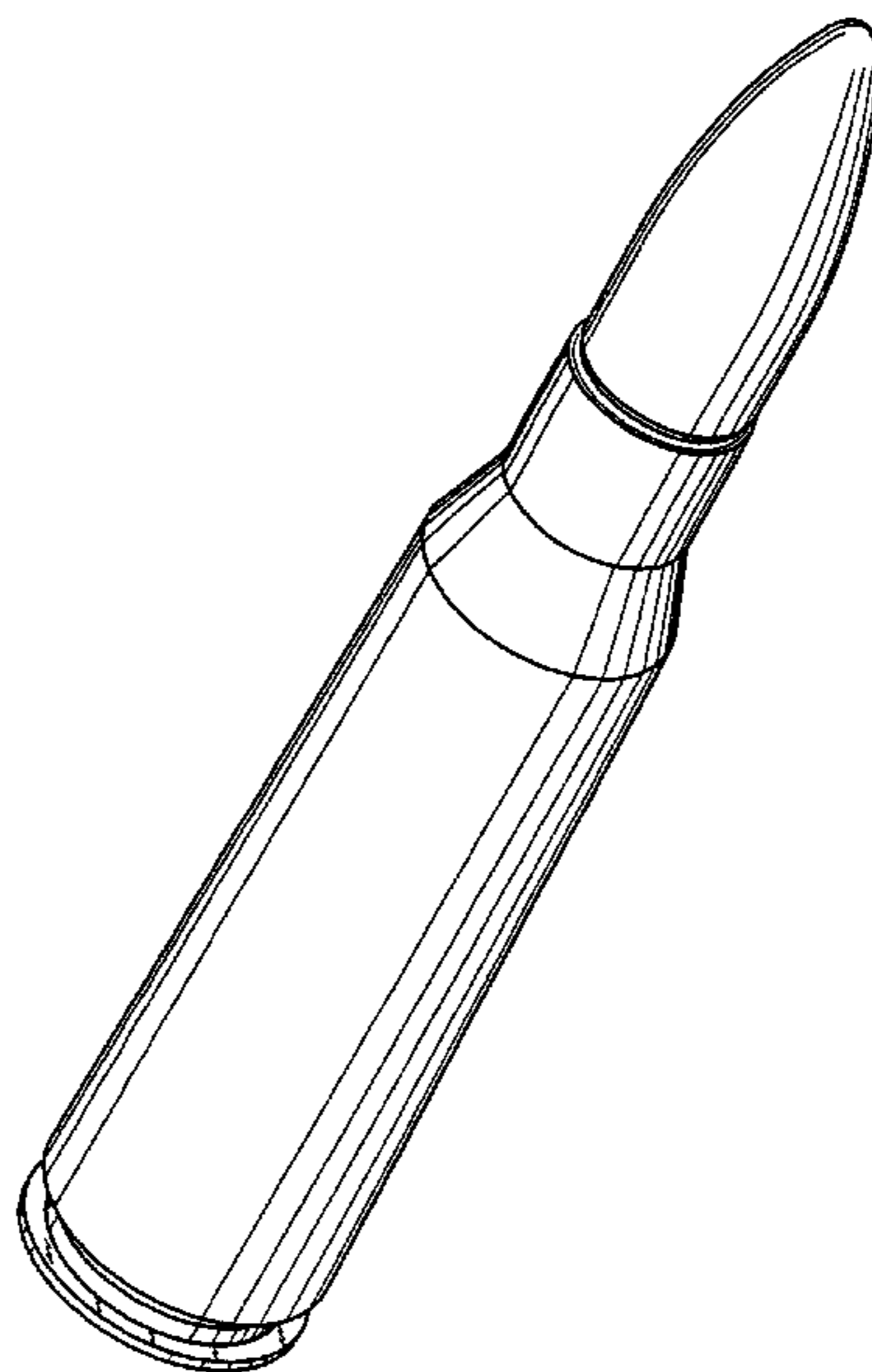
FIG. 4 is a side view of the bullet shaped letter opener of FIG. 2.

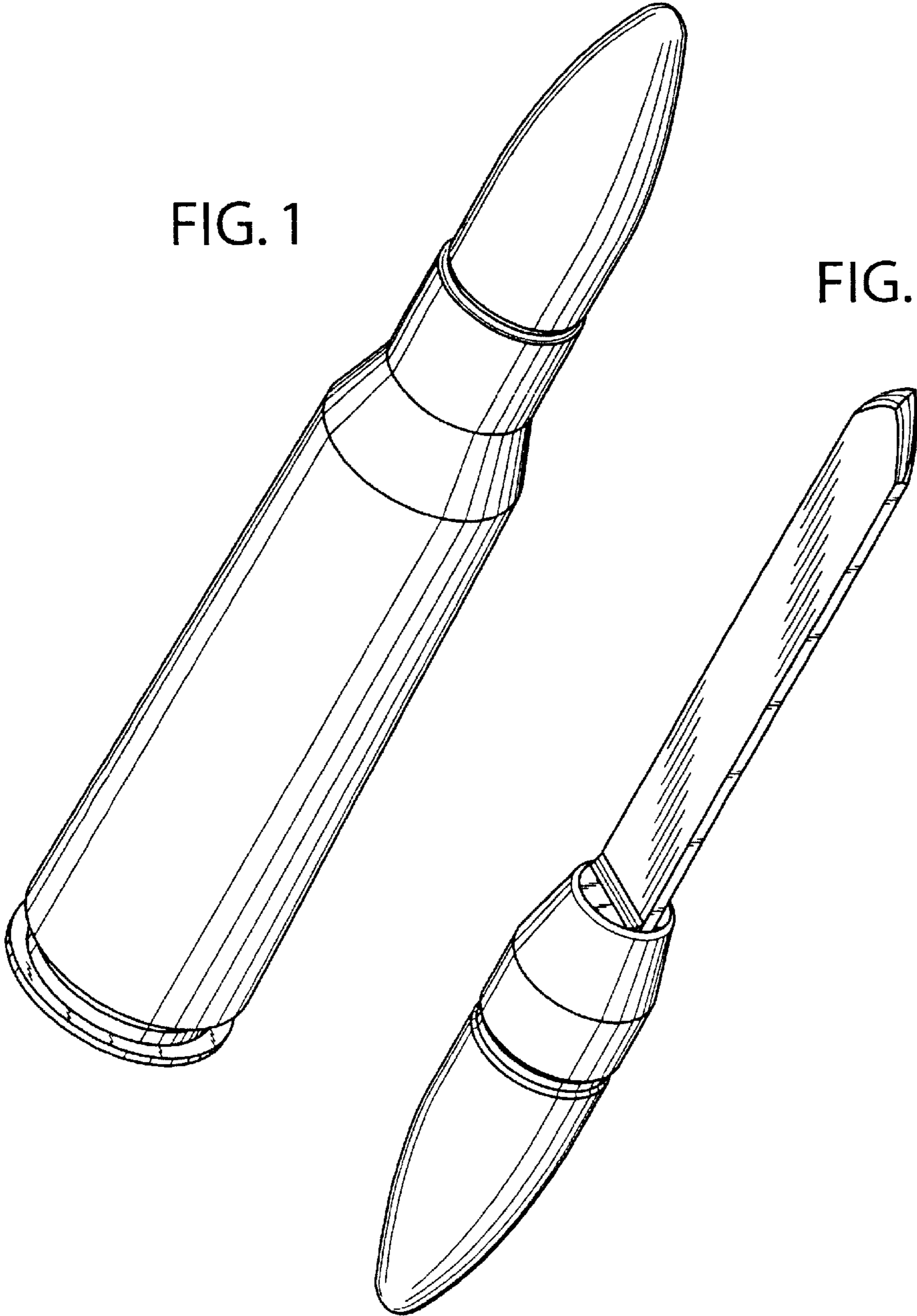
FIG. 5 is top view of the bullet shaped letter opener of FIG. 3.

FIG. 6 is a right side view of the bullet shaped letter opener of FIG. 2; and,

FIG. 7 is a bottom view of the bullet shaped letter opener of FIG. 3.

1 Claim, 2 Drawing Sheets





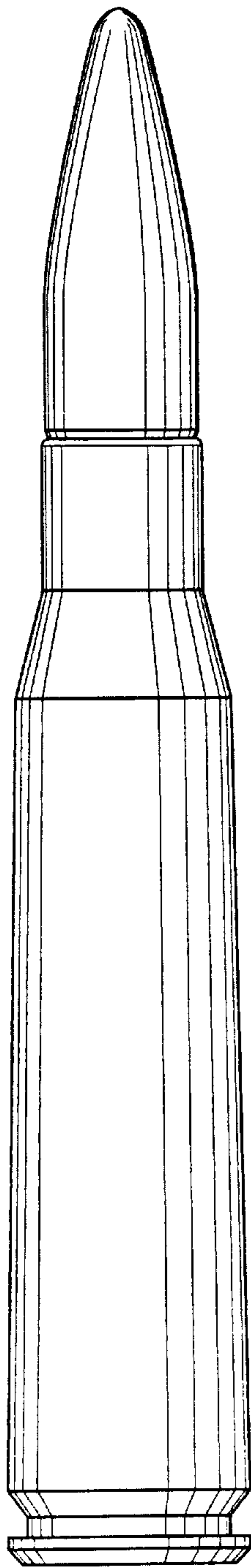


FIG 3

FIG. 4

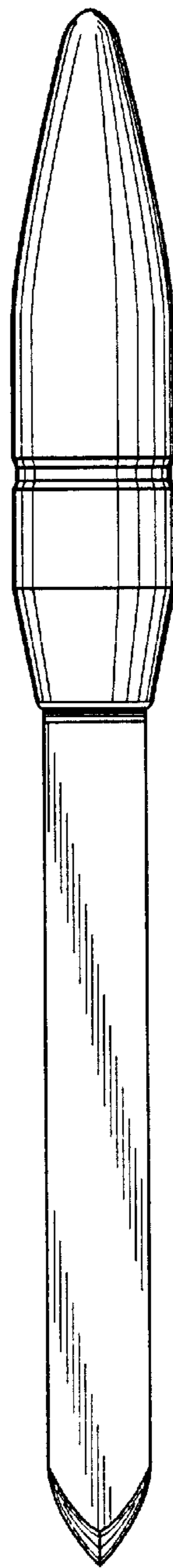


FIG. 6

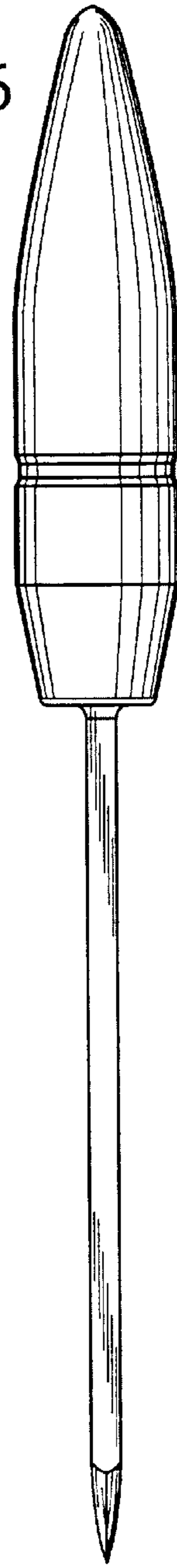


FIG. 5

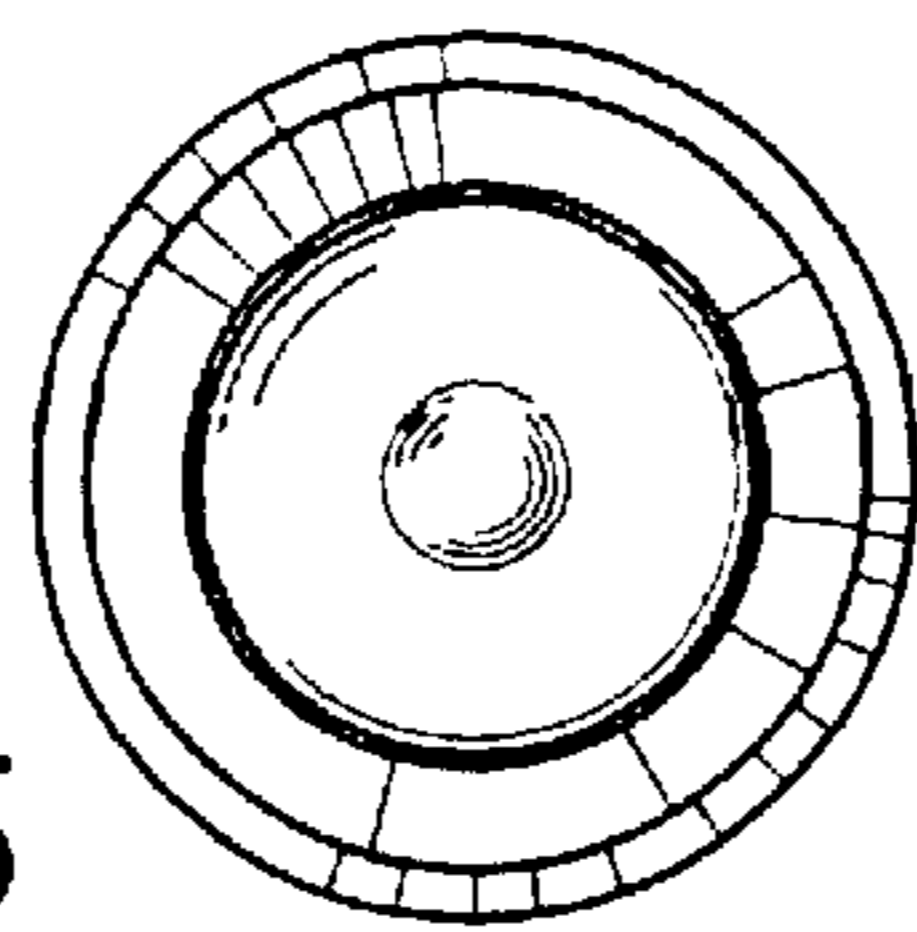


FIG. 7

