



US00D533042S

(12) **United States Design Patent**
Loch et al.

(10) **Patent No.:** **US D533,042 S**
(45) **Date of Patent:** **** Dec. 5, 2006**

(54) **HOLDER FOR A SOLDERING STATION**

D272,312 S * 1/1984 Lawrence D8/71
4,999,480 A * 3/1991 Smith 219/240
D316,943 S * 5/1991 Urban D8/71

(76) Inventors: **Uwe Loch**, Wagnerstr. 3, 74369
Löchgau (DE); **Volker Munz**, Mühlstr.
6, 74397 Pfaffenhofen (DE)

* cited by examiner

(**) Term: **14 Years**

Primary Examiner—Antoine D. Davis
Assistant Examiner—Patricia Palasik
(74) *Attorney, Agent, or Firm*—Young & Thompson

(21) Appl. No.: **29/221,630**

(22) Filed: **Jan. 21, 2005**

(57) **CLAIM**

(30) **Foreign Application Priority Data**

The ornamental design for a holder for a soldering station,
as shown.

Jul. 21, 2004 (EM) 000209952

DESCRIPTION

(51) **LOC (8) Cl.** **08-05**

(52) **U.S. Cl.** **D8/71; D15/144**

(58) **Field of Classification Search** D8/71;
D15/144, 144.1, 144.2; 219/125.1, 130.5,
219/132, 227, 240, 242; 228/20.5, 40, 46,
228/51

FIG. 1 is a top, front and side perspective view of a soldering station showing our new design;
FIG. 2 is a front elevational view thereof;
FIG. 3 is a side elevational view thereof from the left of FIG. 2;
FIG. 4 is a side elevational view thereof from the right of FIG. 2;
FIG. 5 is a rear elevational view thereof;
FIG. 6 is a top plan view thereof; and,
FIG. 7 is a bottom plan view thereof.

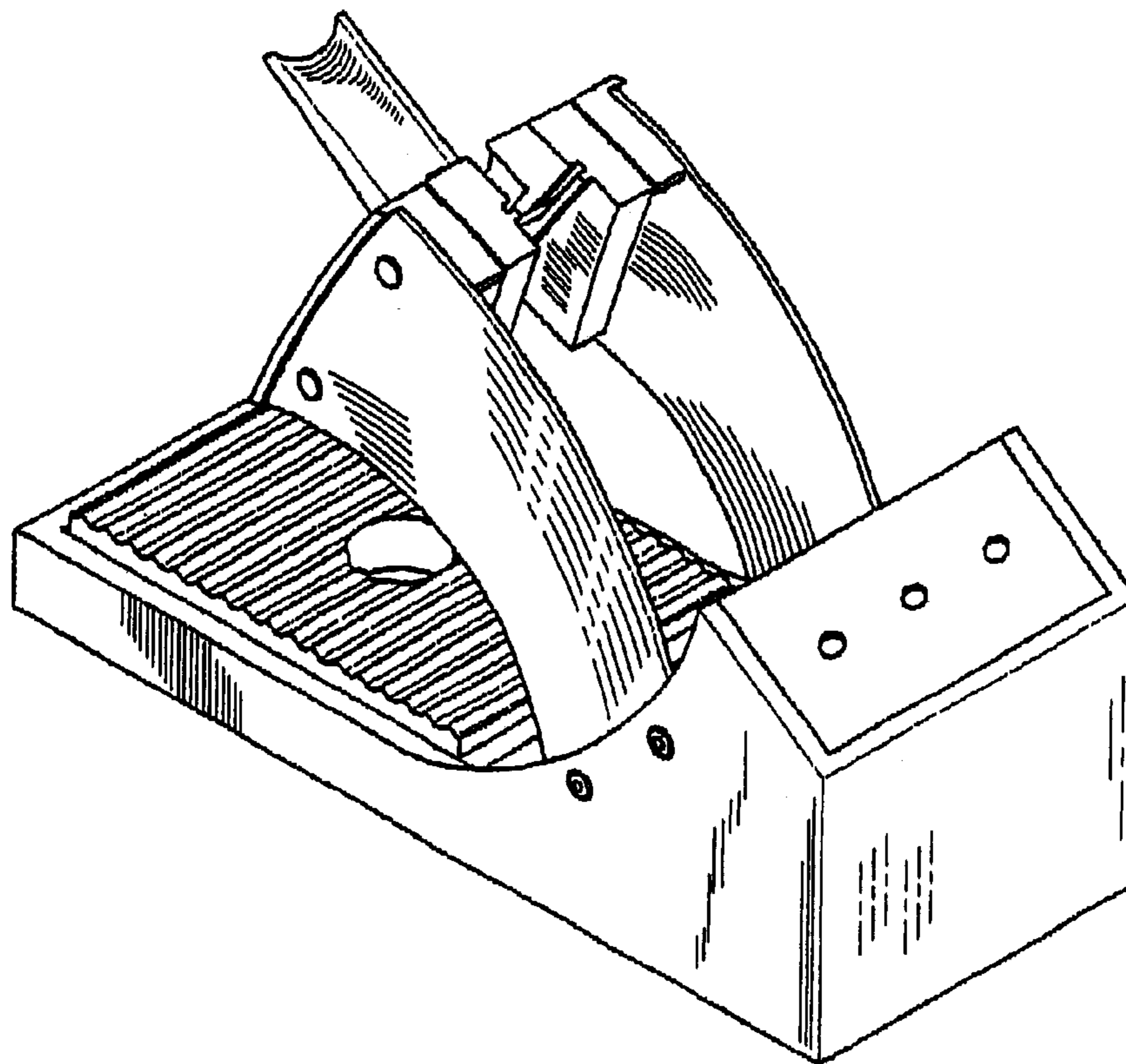
See application file for complete search history.

(56) **References Cited**

U.S. PATENT DOCUMENTS

3,800,122 A * 3/1974 Farmer 219/242

1 Claim, 4 Drawing Sheets



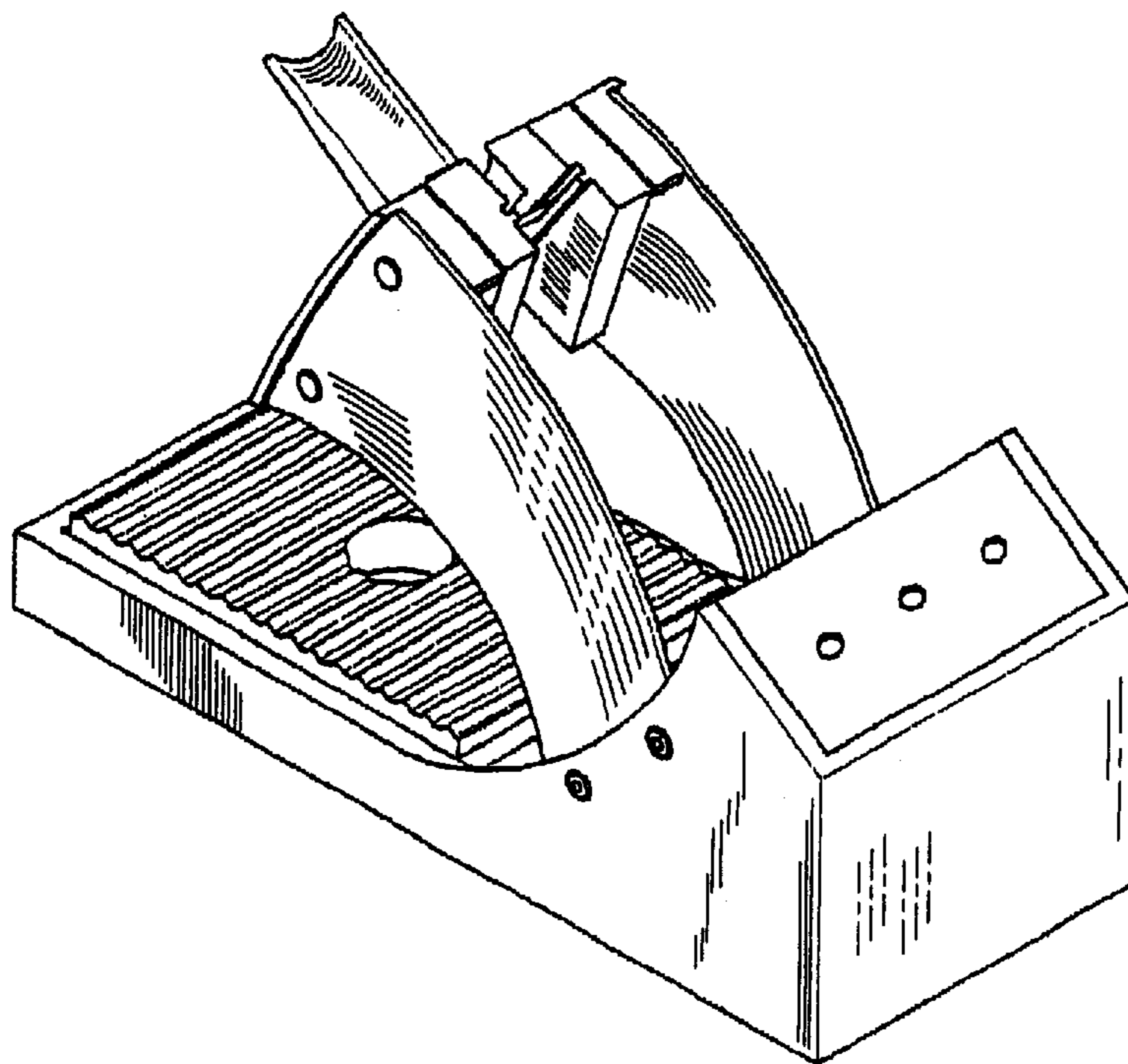


FIG. 1

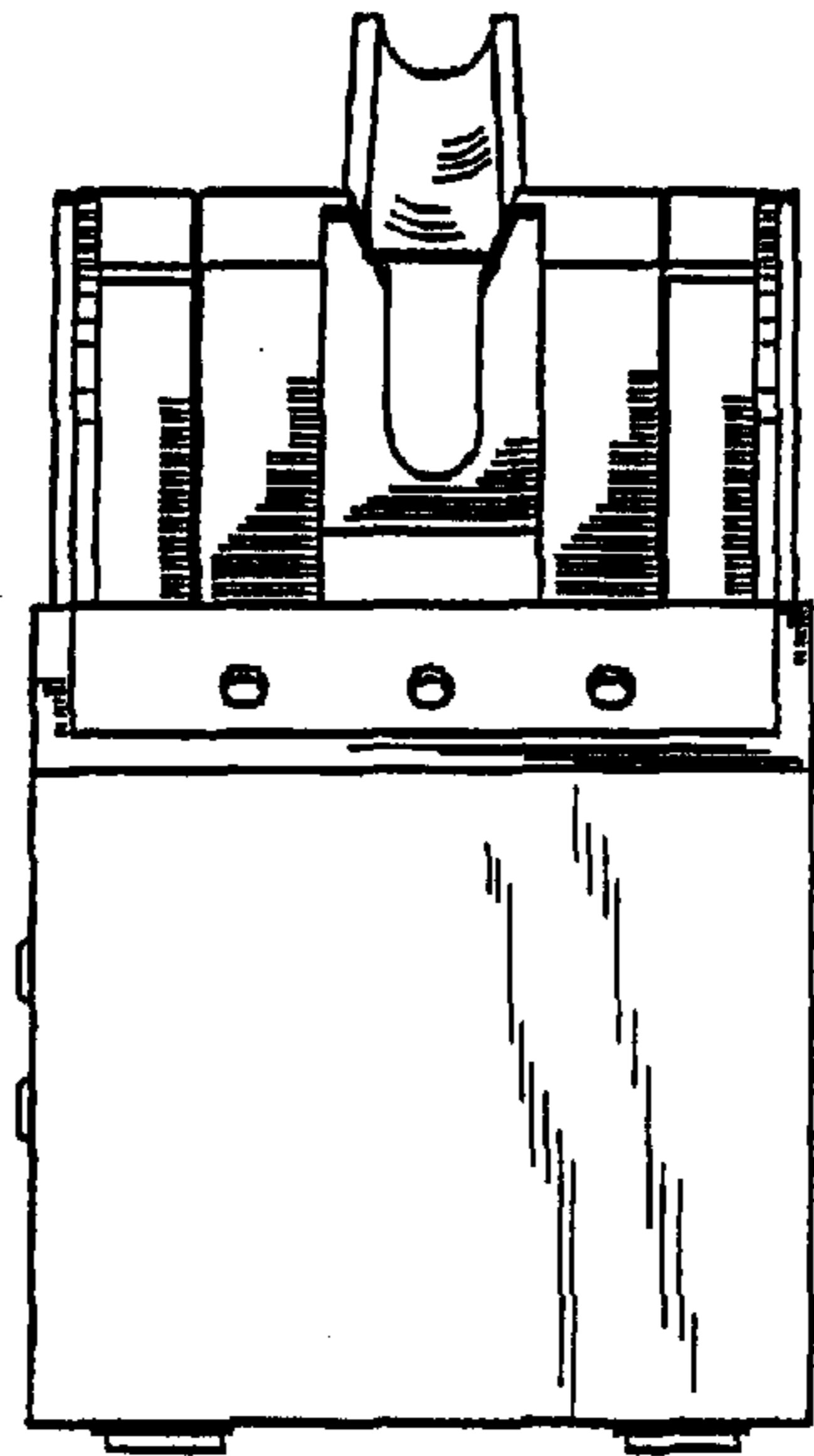


FIG. 2

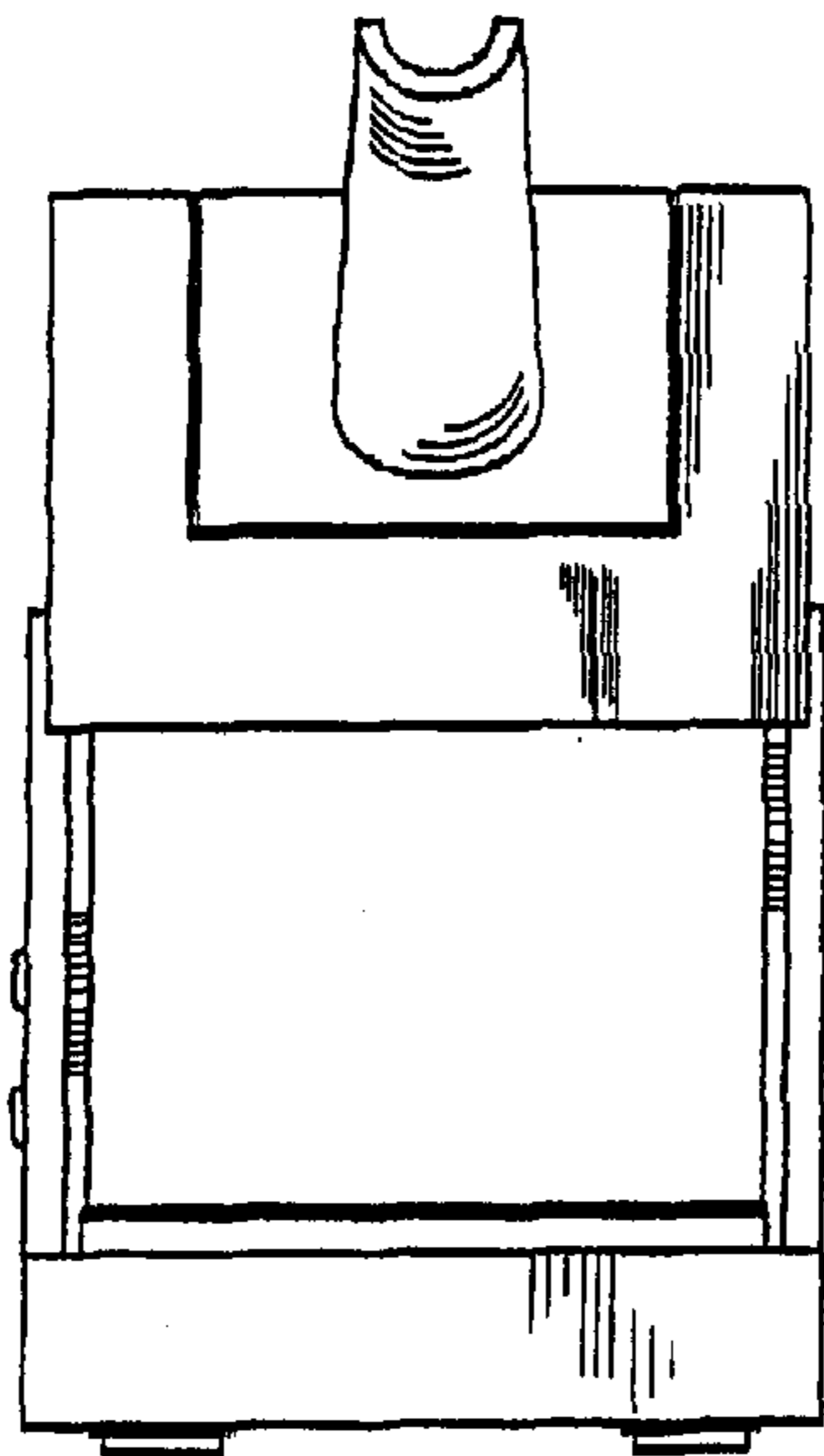


FIG. 5

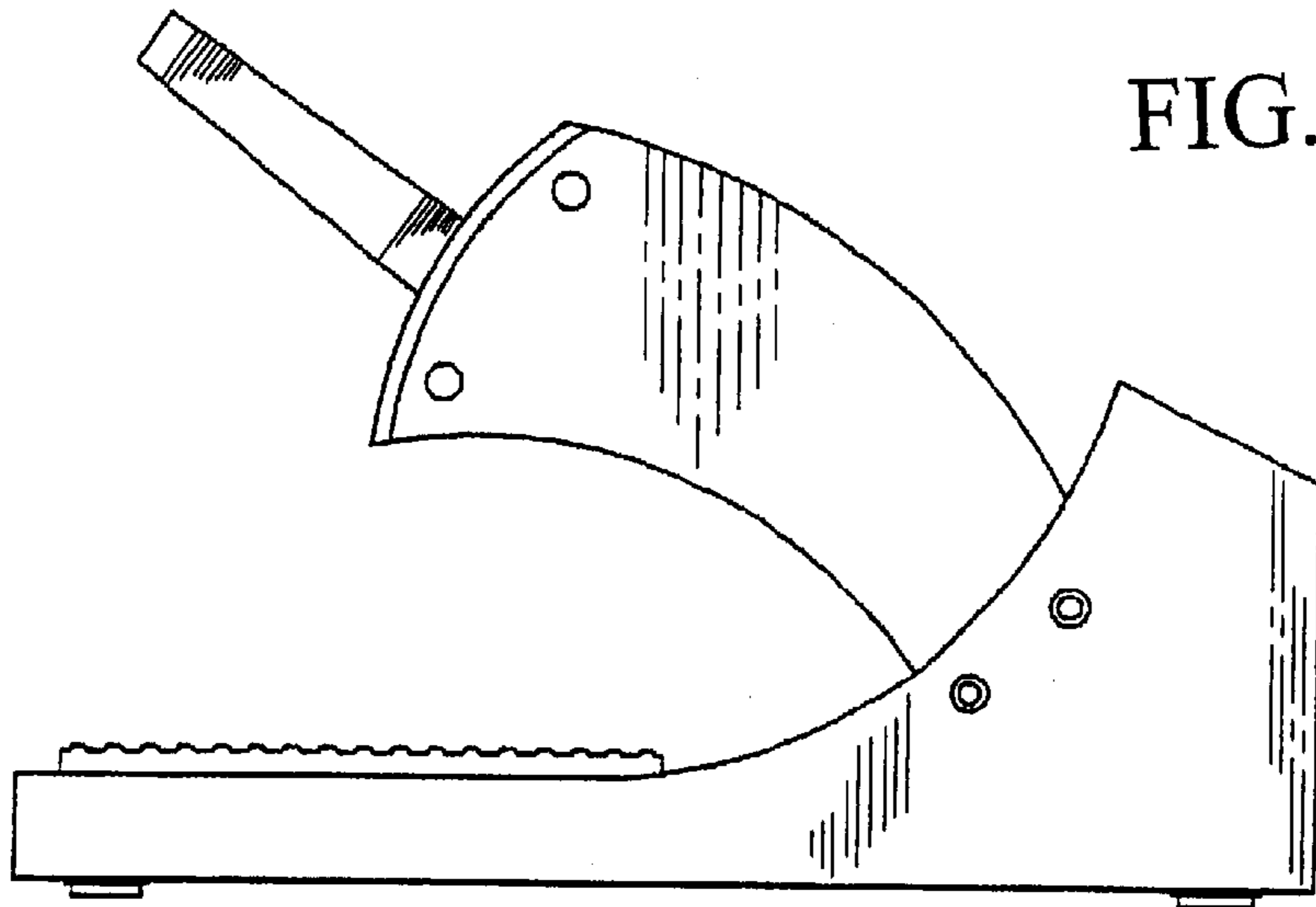


FIG. 3

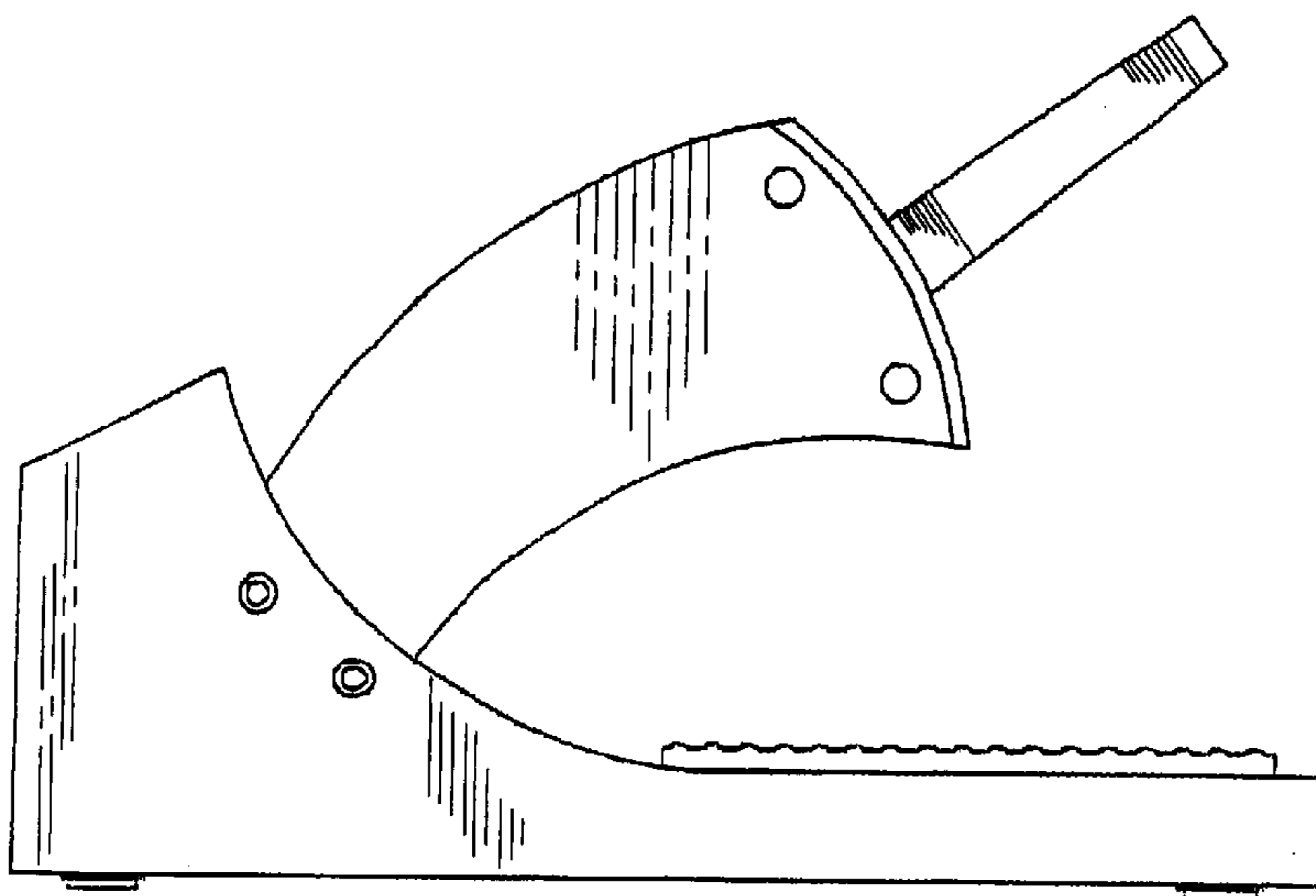


FIG. 4

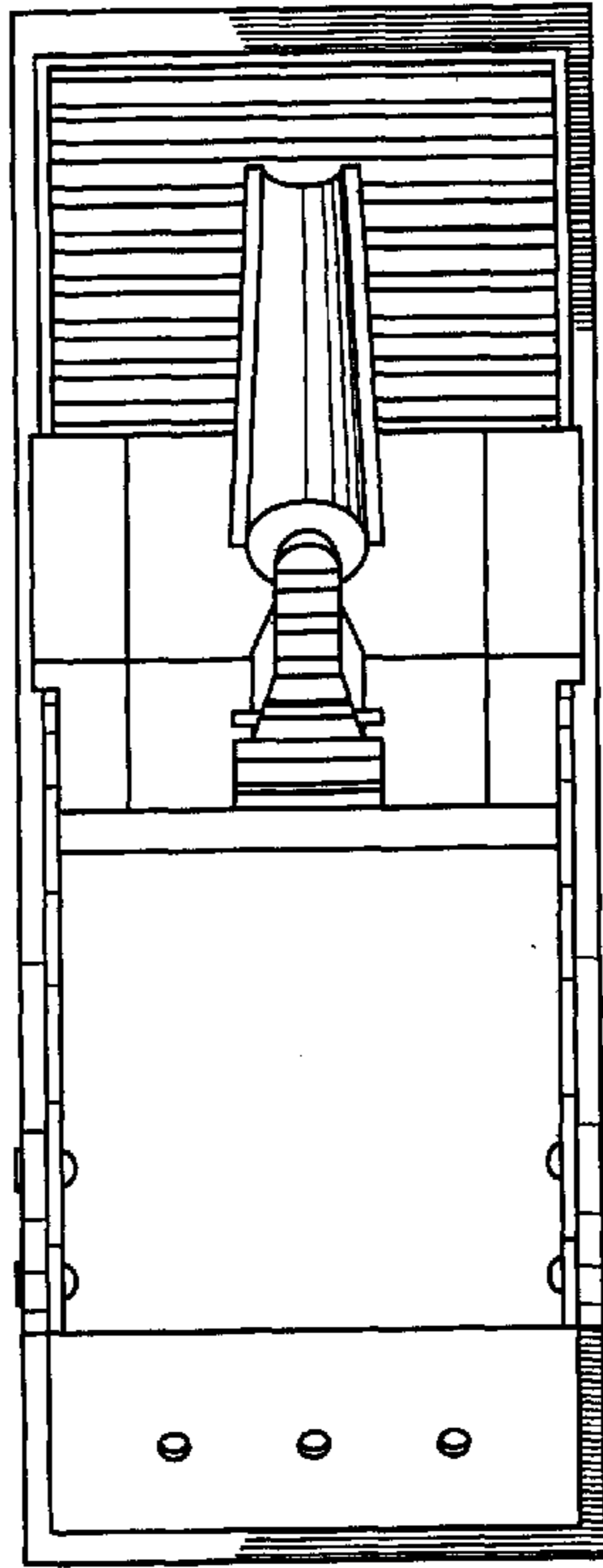


FIG. 6

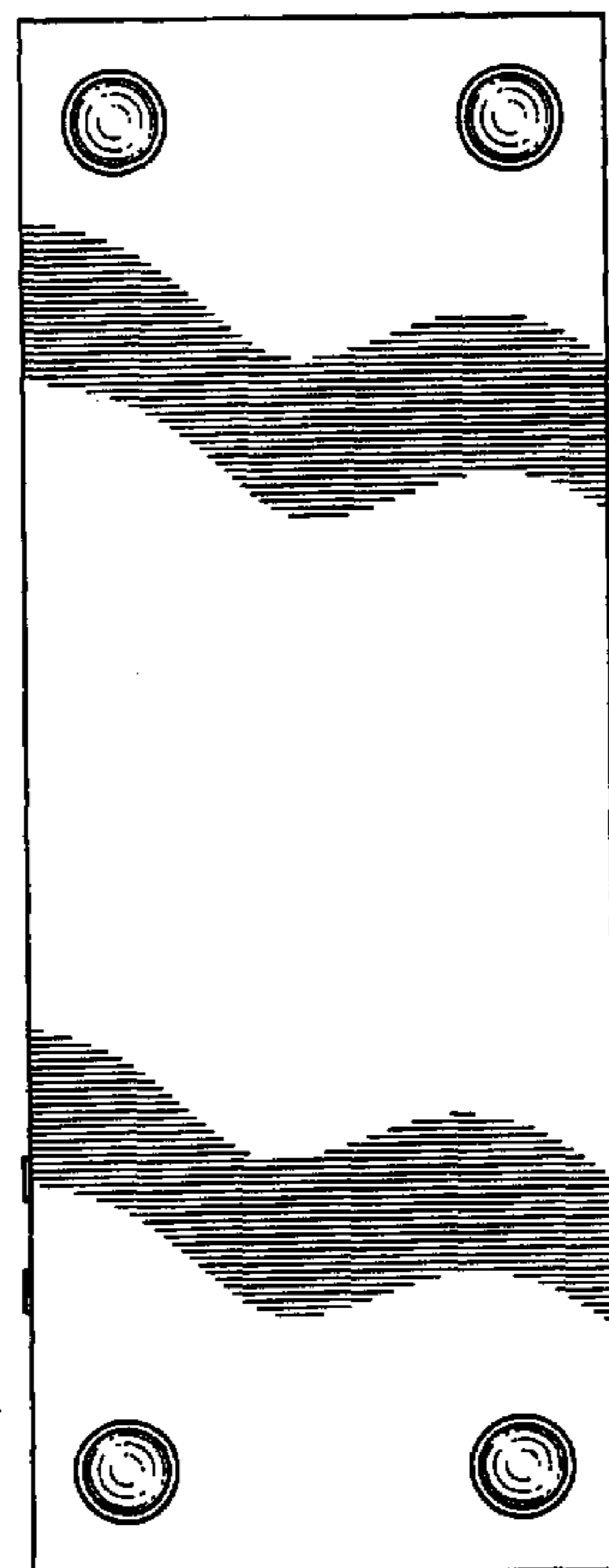


FIG. 7