



US00D533039S

(12) **United States Design Patent** (10) **Patent No.:** **US D533,039 S**  
**Arvidsson et al.** (45) **Date of Patent:** **\*\* Dec. 5, 2006**

(54) **POWER HEAD FOR POWER CUTTER**

(75) Inventors: **Bengt Arvidsson**, Strömsnäsbruk (SE);  
**Anders Köhler**, Partille (SE); **Anders Reuterberg**, Lerum (SE); **Niklas Sundberg**, Alingsås (SE)

(73) Assignee: **Aktiebolaget Electrolux**, Stockholm (SE)

(\*\*) Term: **14 Years**

(21) Appl. No.: **29/207,002**

(22) Filed: **Jun. 7, 2004**

(30) **Foreign Application Priority Data**

Dec. 5, 2003 (SE) ..... 03-1073

(51) **LOC (8) Cl.** ..... **08-03**

(52) **U.S. Cl.** ..... **D8/66**

(58) **Field of Classification Search** ..... D8/98,  
D8/95, 69, 64, 61, 60; D15/127; 125/13.01;  
451/450; 30/122, 383, 228, 124  
See application file for complete search history.

(56) **References Cited**

**U.S. PATENT DOCUMENTS**

- 4,654,970 A \* 4/1987 Nagashima ..... 30/383
- 4,693,006 A \* 9/1987 Wehle ..... 30/383
- D356,018 S \* 3/1995 Nilsson et al. .... D8/66
- 5,540,210 A \* 7/1996 Jones ..... 125/13.01
- D378,184 S \* 2/1997 Naslund et al. .... D8/64
- 5,826,478 A \* 10/1998 Zerrer ..... 83/169

- 5,855,067 A \* 1/1999 Taomo et al. .... 30/122
- 6,374,501 B1 \* 4/2002 Claesson ..... 30/389
- 6,378,467 B1 \* 4/2002 Kobayashi et al. .... 123/41.56
- 6,591,826 B1 \* 7/2003 Donnerdal ..... 125/13.01
- D489,591 S \* 5/2004 Willer et al. .... D8/66
- D499,944 S \* 12/2004 Stroby et al. .... D8/64
- 2001/0003983 A1 \* 6/2001 Iida et al. .... 125/13.01

**OTHER PUBLICATIONS**

Web page print out, "TS 510 STIHL Cutquik® cut-off machine", 2 pages.

Web page print out, "TS 760 STIHL cutquik® cut-off machine", 2 pages.

\* cited by examiner

*Primary Examiner*—Cathron C. Brooks

*Assistant Examiner*—Austin Murphy

(74) *Attorney, Agent, or Firm*—Pearne & Gordon LLP

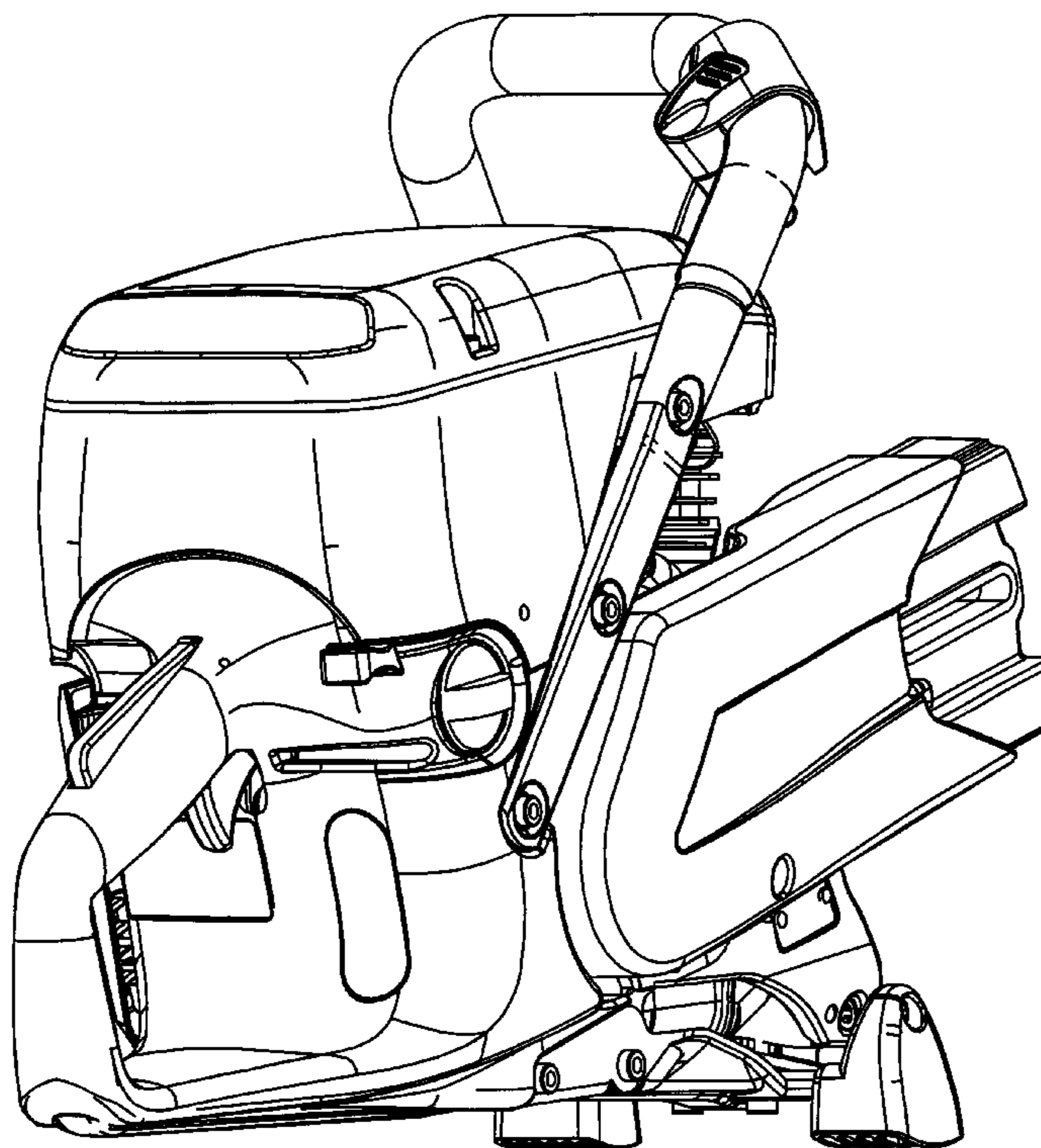
(57) **CLAIM**

We claim the ornamental design for the power head for power cutter, as shown and described.

**DESCRIPTION**

FIG. 1 is a perspective view of the power head for power cutter from the perspective of a user;  
FIG. 2 is a right side view thereof;  
FIG. 3 is a left side view thereof;  
FIG. 4 is a rear view thereof;  
FIG. 5 is a front view thereof;  
FIG. 6 is a bottom view thereof; and,  
FIG. 7 is a top view thereof.

**1 Claim, 7 Drawing Sheets**



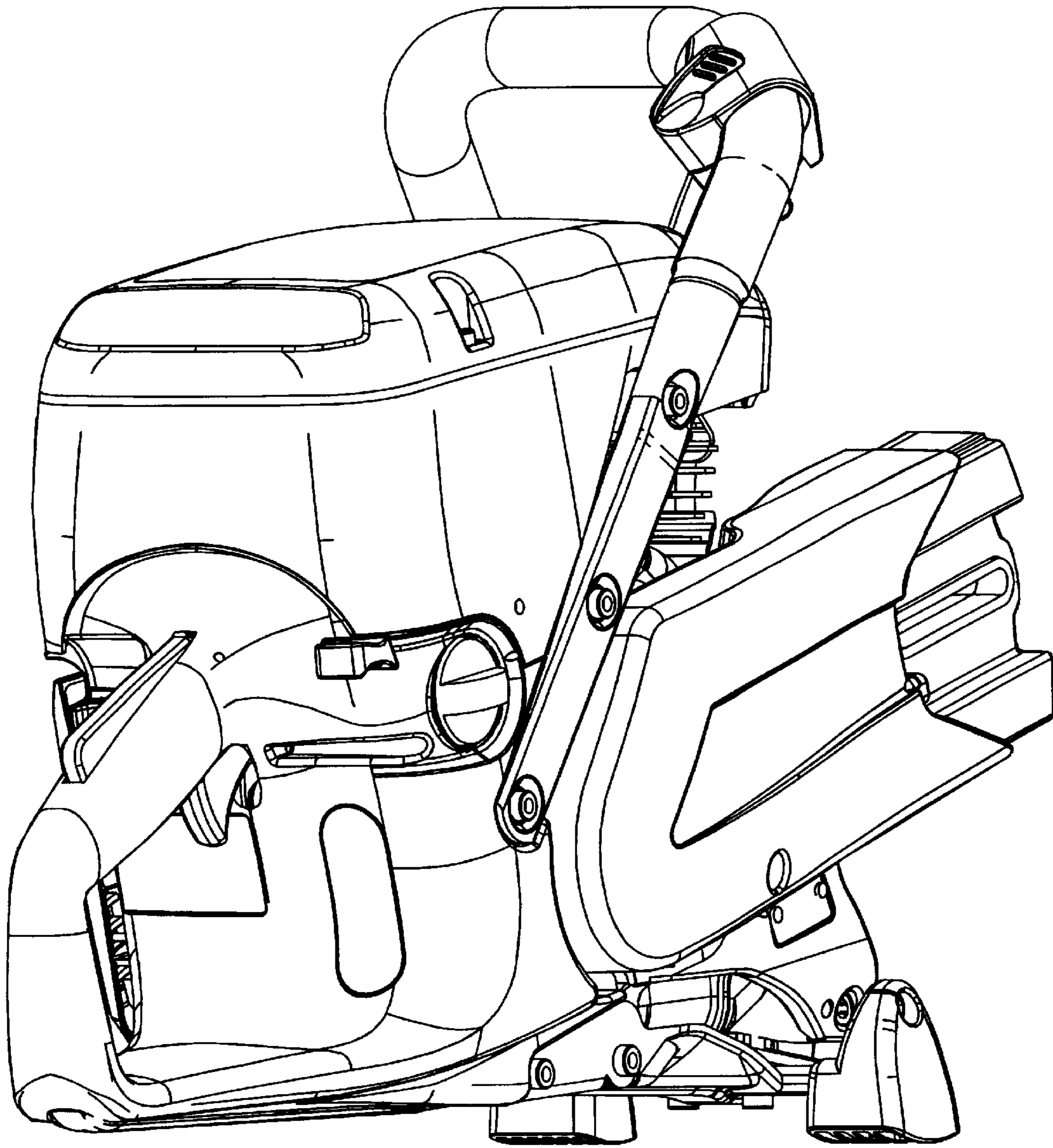


Fig. 1

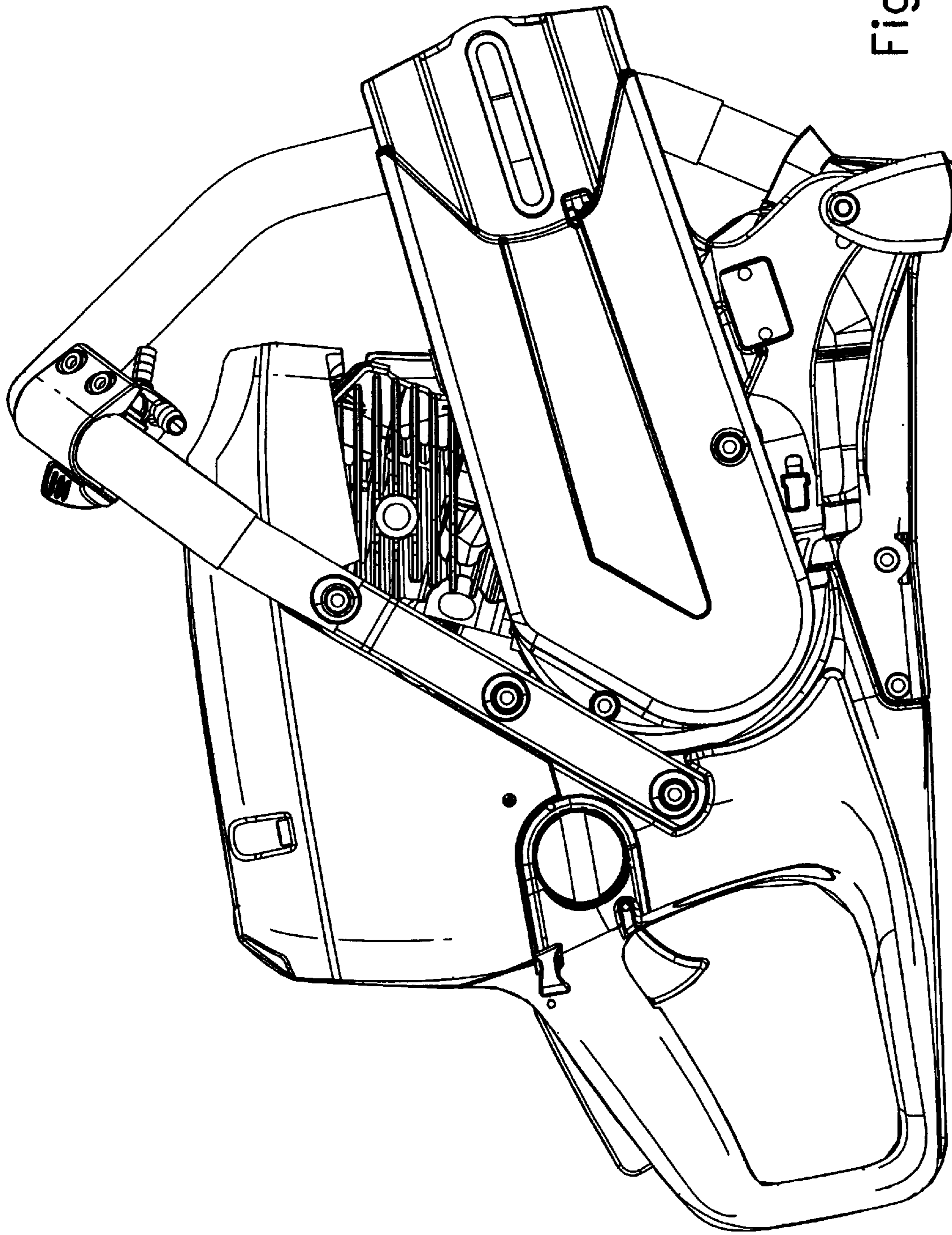
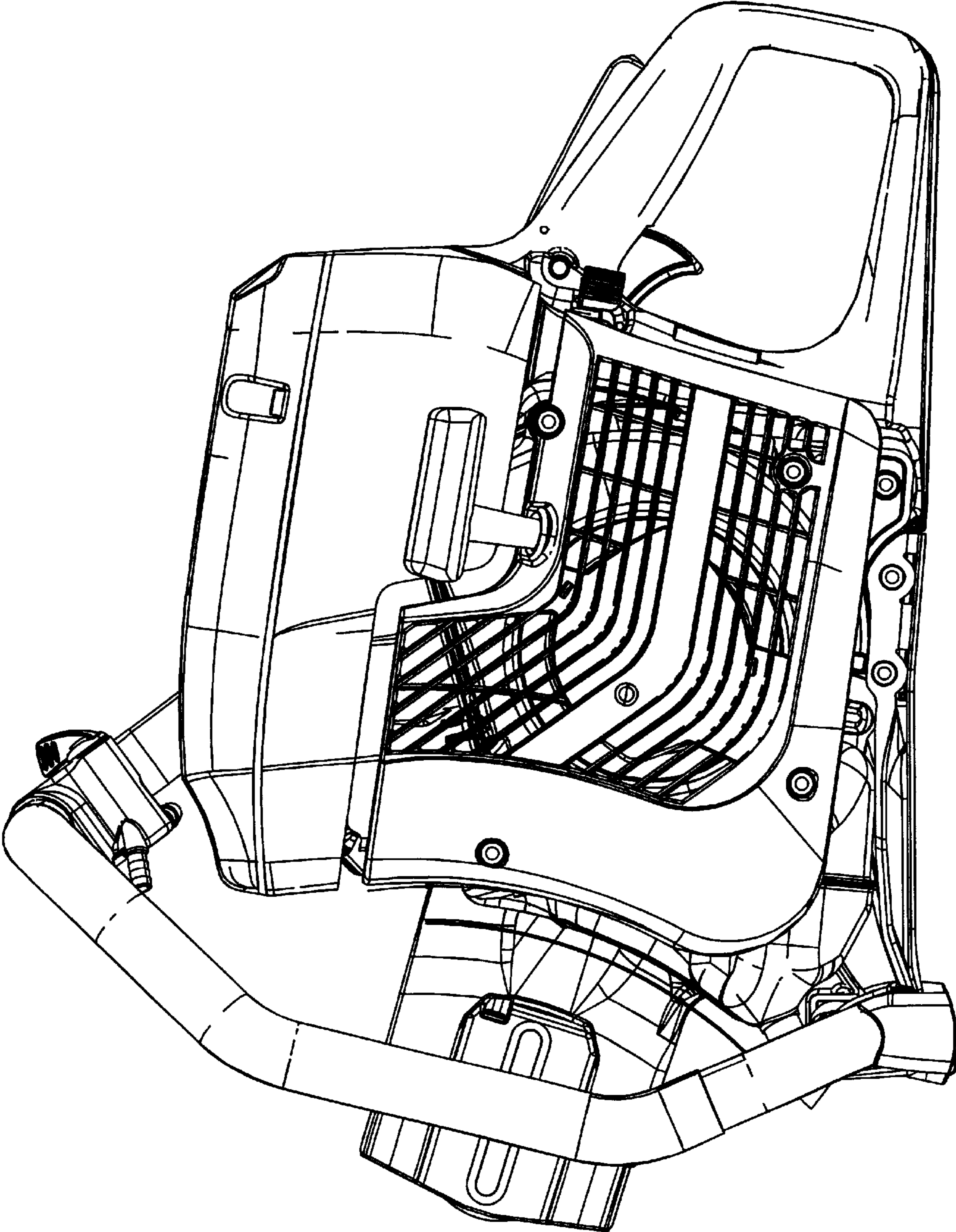


Fig. 2

Fig. 3



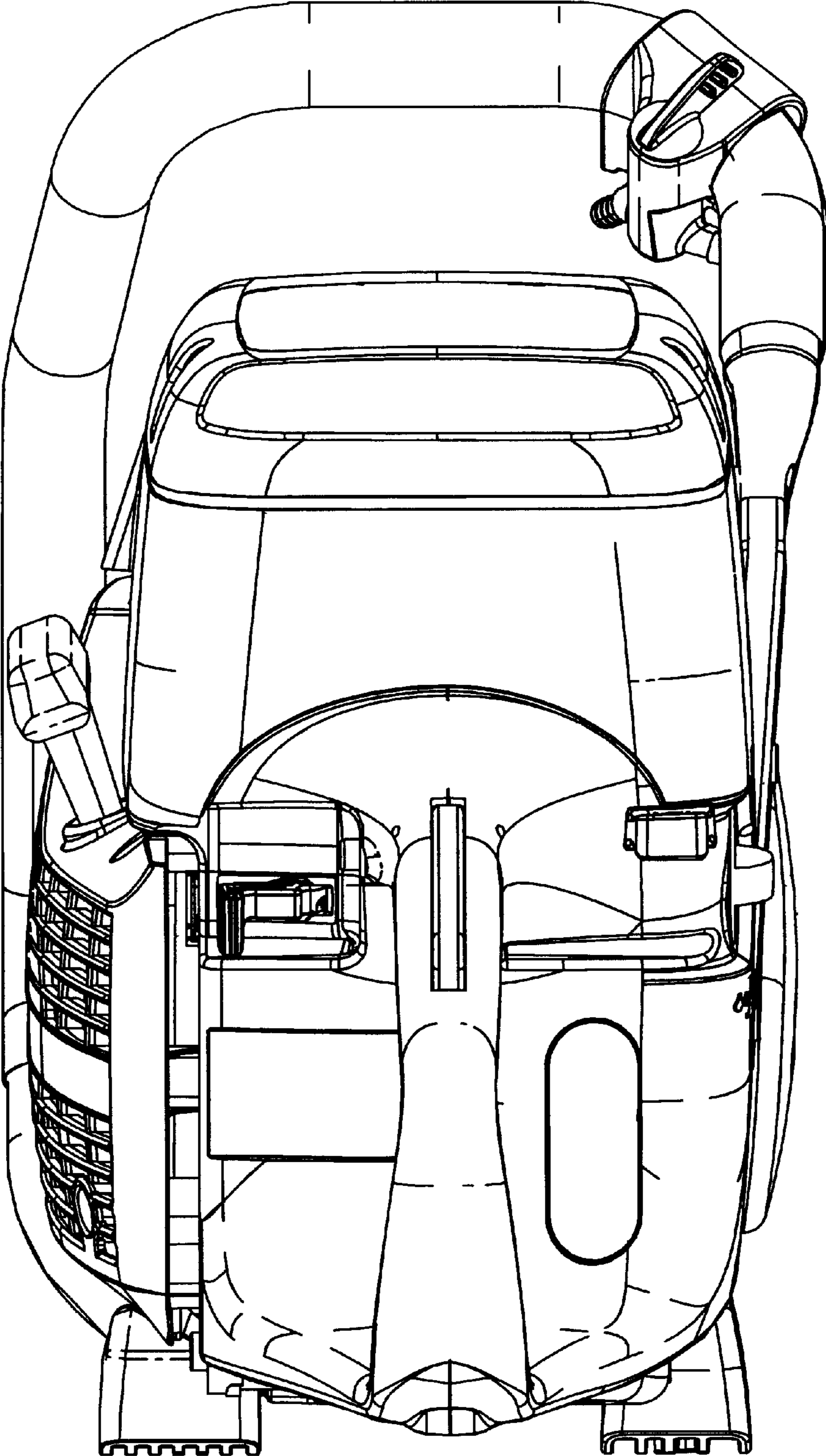


Fig.4

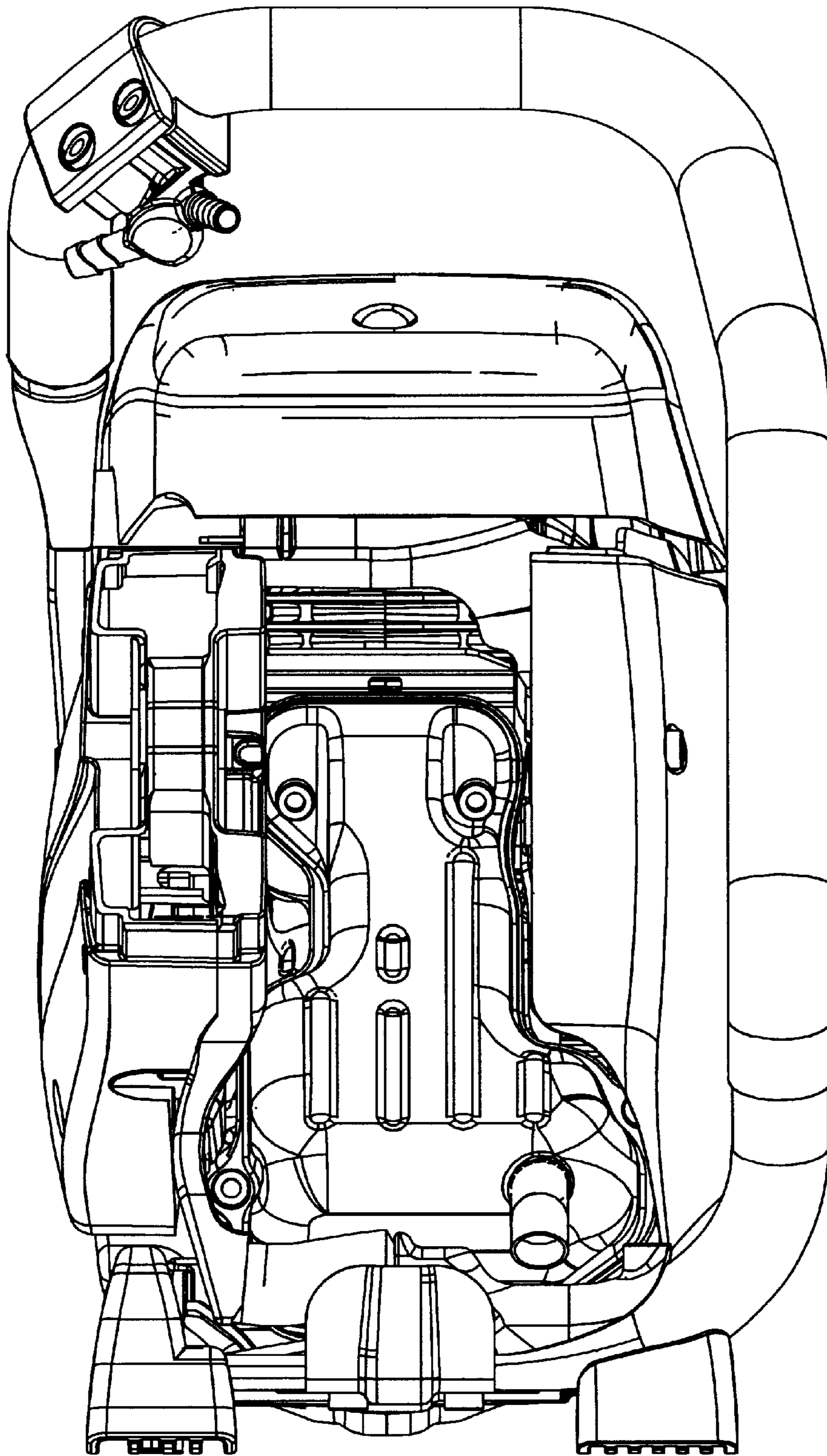


Fig.5

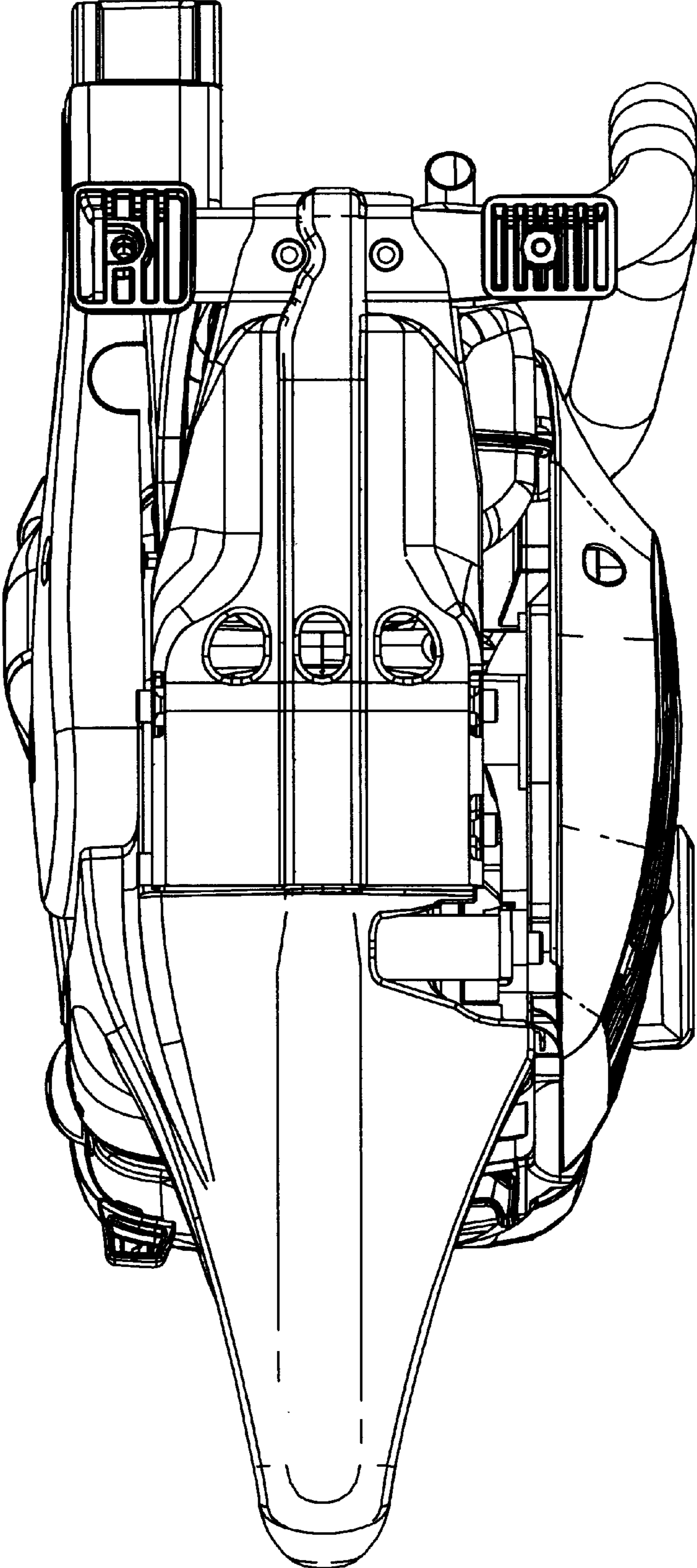


Fig.6

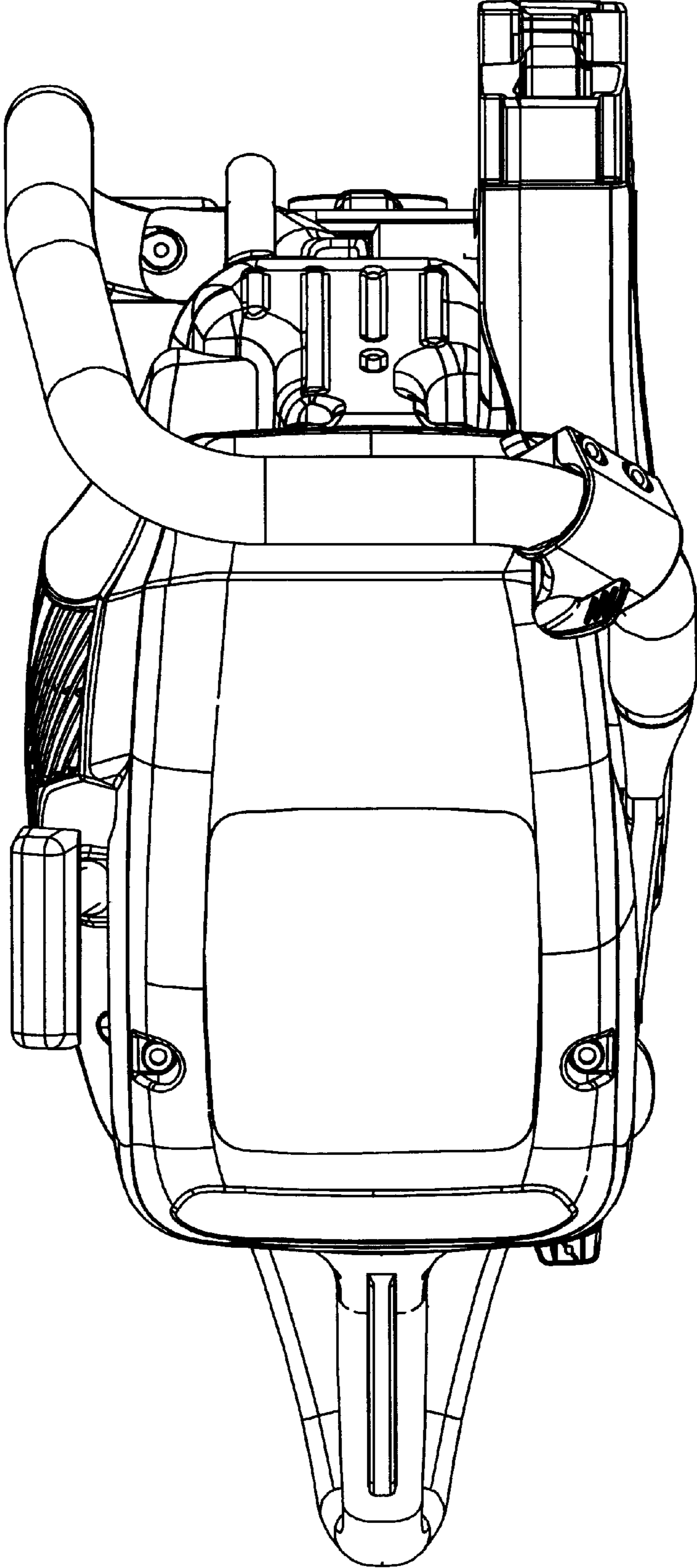


Fig. 7