



US00D533038S

(12) **United States Design Patent** (10) **Patent No.:** **US D533,038 S**
Hsu (45) **Date of Patent:** **** Dec. 5, 2006**

(54) **TOOL HANDLE**

2003/0029284 A1 * 2/2003 Malchus 81/490

(76) **Inventor:** **Frank Hsu**, 14F-3, No. 148,
Chung-Hsing E. Rd., Tai-Ping City,
Taichung Hsien (TW)

* cited by examiner

Primary Examiner—Raphael Barkai
Assistant Examiner—Randall H. Gholson
(74) *Attorney, Agent, or Firm*—MacPherson Kwok Chen &
Heid LLP

(**) **Term:** **14 Years**

(21) **Appl. No.:** **29/223,159**

(57) **CLAIM**

(22) **Filed:** **Feb. 9, 2005**

The ornamental design for tool handle, as shown and described.

(51) **LOC (8) Cl.** **08-05**

(52) **U.S. Cl.** **D8/24**

(58) **Field of Classification Search** D8/17,
D8/21-29; 81/490, 177.4, 492, 58, 57.13,
81/177.7, 177.8, 60-63.2, 166-170
See application file for complete search history.

DESCRIPTION

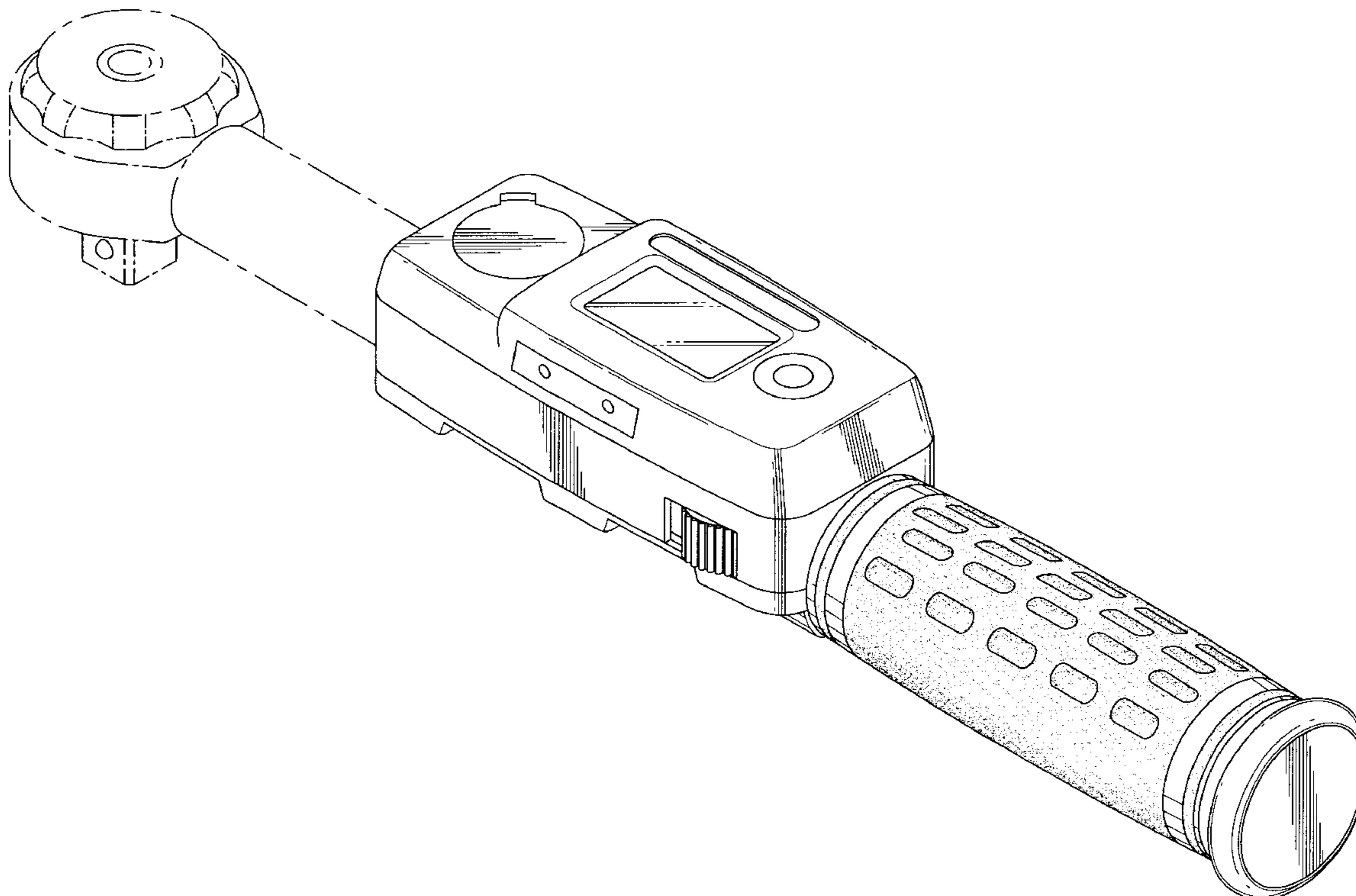
FIG. 1 is a perspective view of tool handle showing the new design;
FIG. 2 is a front elevational view thereof;
FIG. 3 is a rear elevational view thereof;
FIG. 4 is a left side elevational view thereof;
FIG. 5 is a right side elevational view thereof;
FIG. 6 is a top plan view thereof; and,
FIG. 7 is a bottom plan view thereof.
The broken line showing of a ratchet wrench head is for illustrative purposes only and forms no part of the claimed design.

(56) **References Cited**

U.S. PATENT DOCUMENTS

D244,829 S	*	6/1977	Lehoczky et al.	D8/24
4,257,263 A	*	3/1981	Herrgen	73/862.23
D281,854 S	*	12/1985	Grabovac	D8/24
D329,367 S	*	9/1992	Landy	D8/83
D458,817 S	*	6/2002	Jenkins	D8/24
6,784,799 B1	*	8/2004	Hsien	340/668

1 Claim, 6 Drawing Sheets



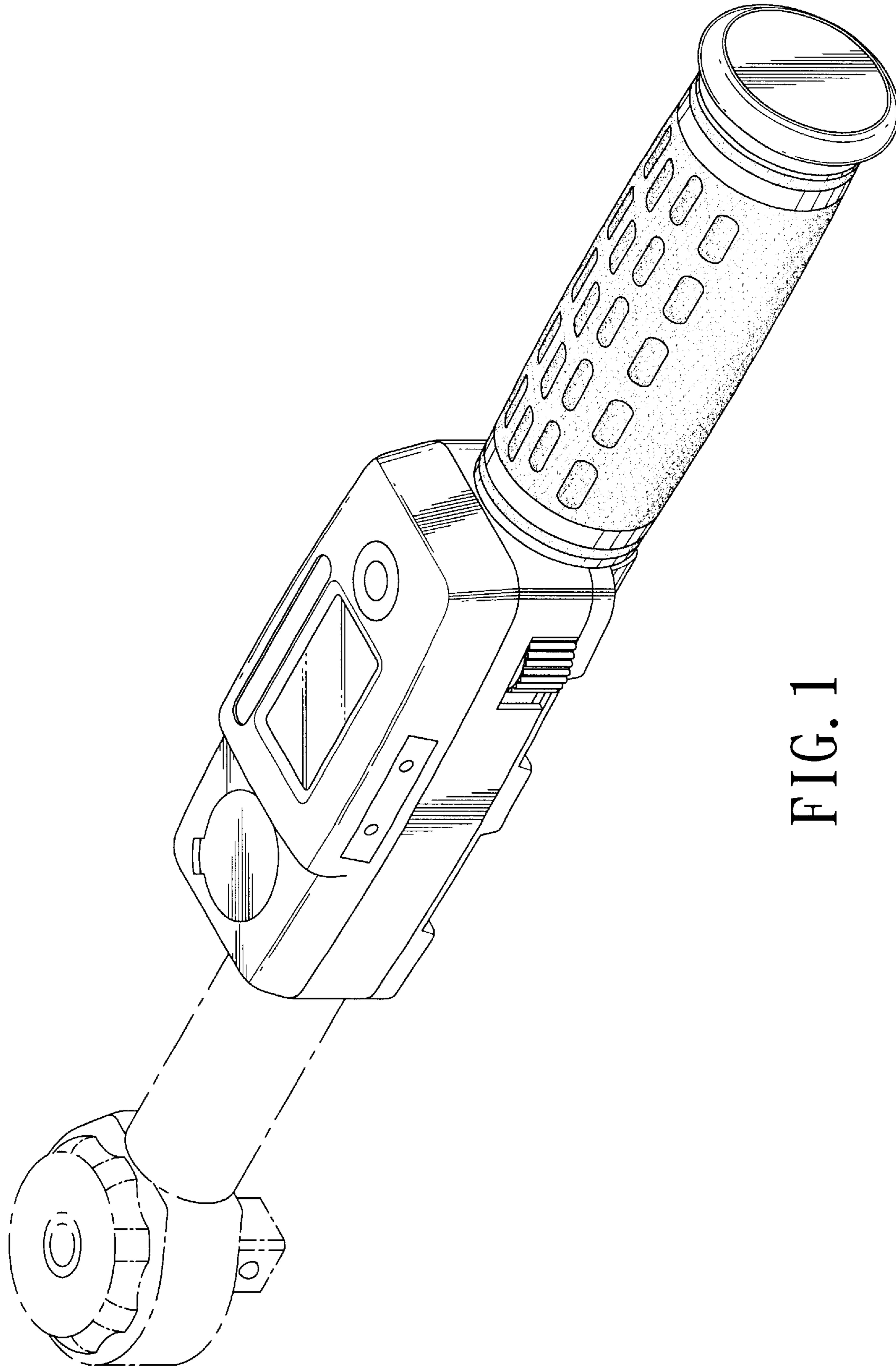


FIG. 1

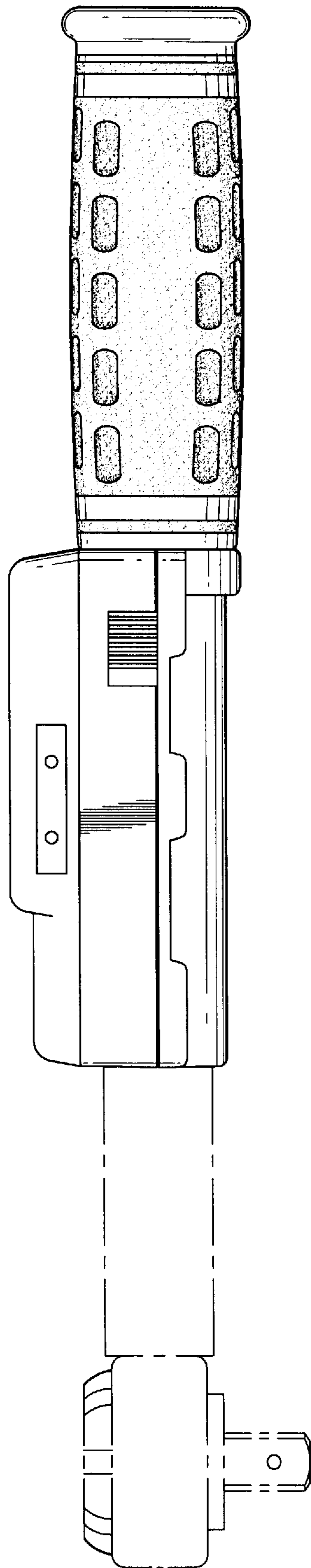


FIG. 2

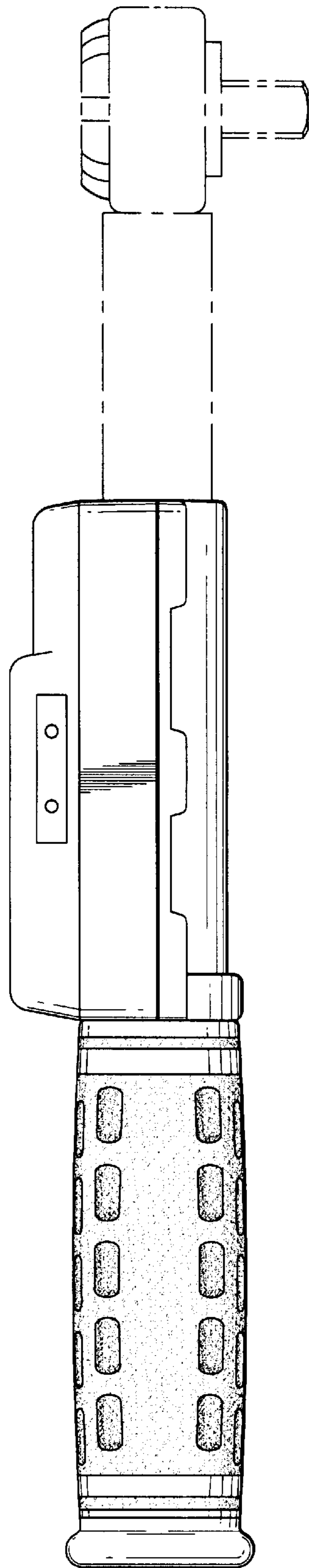


FIG. 3

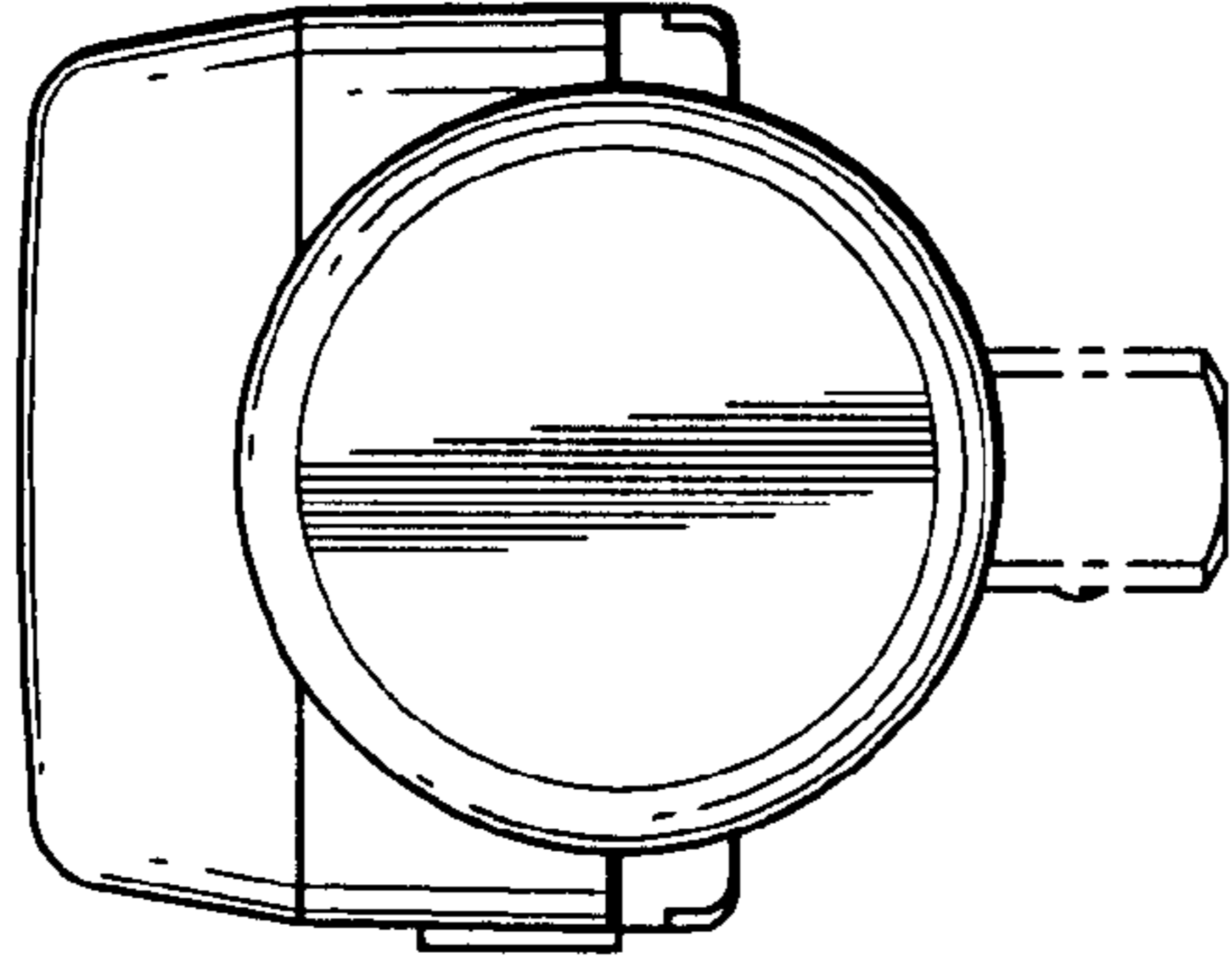


FIG. 5

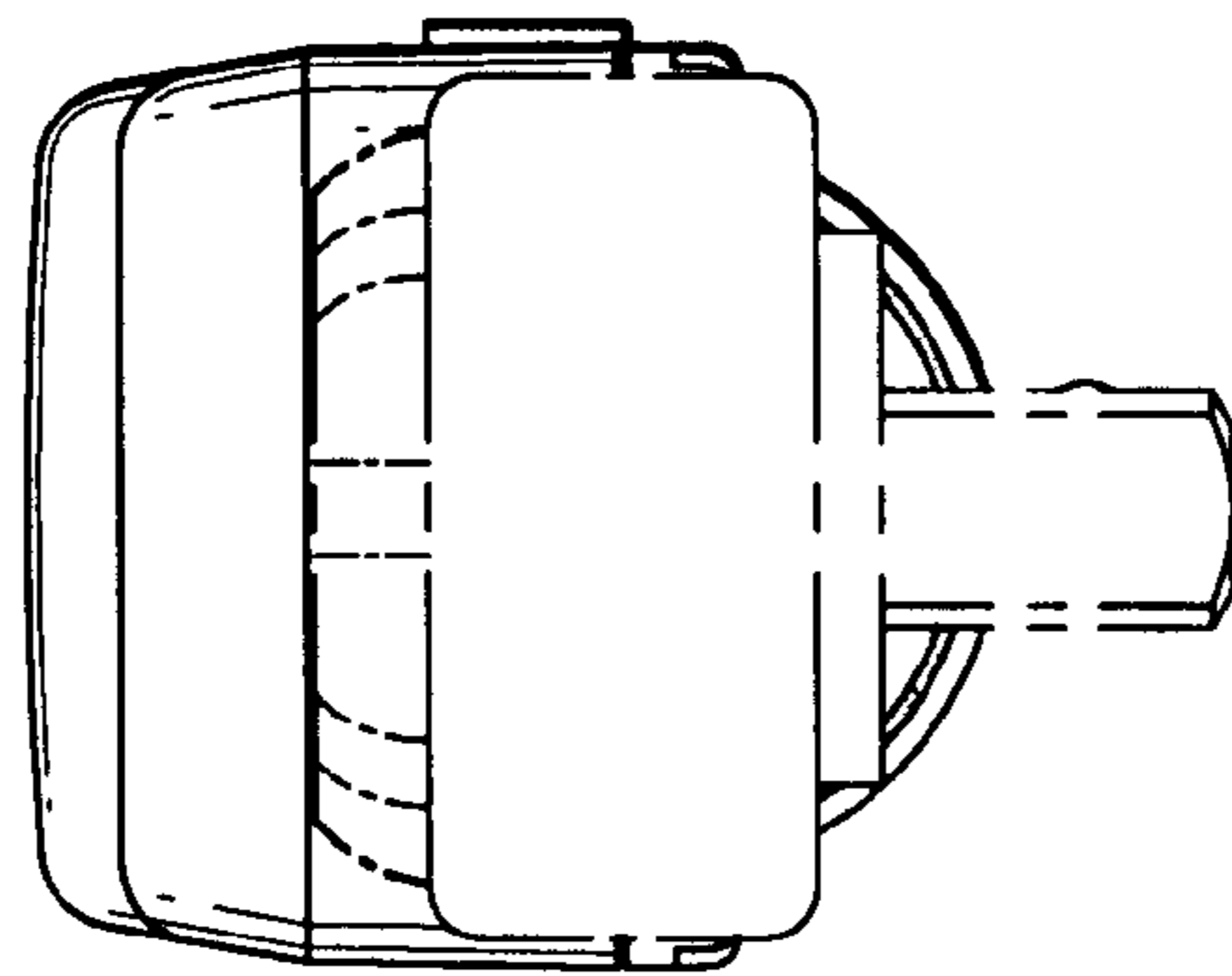


FIG. 4

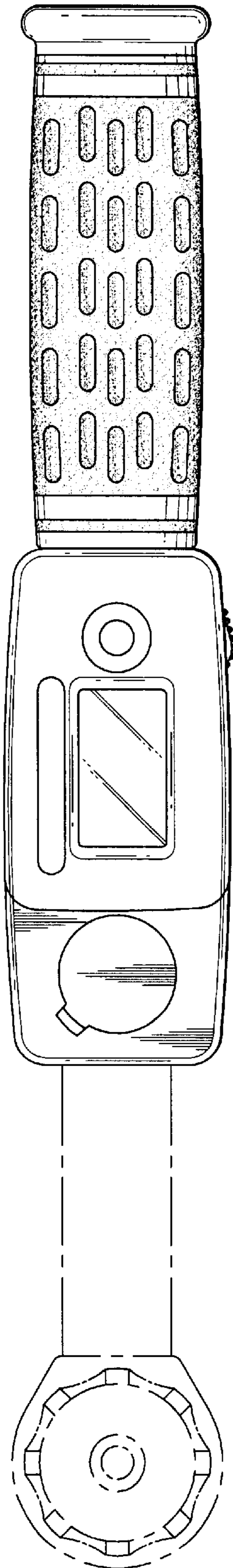


FIG. 6

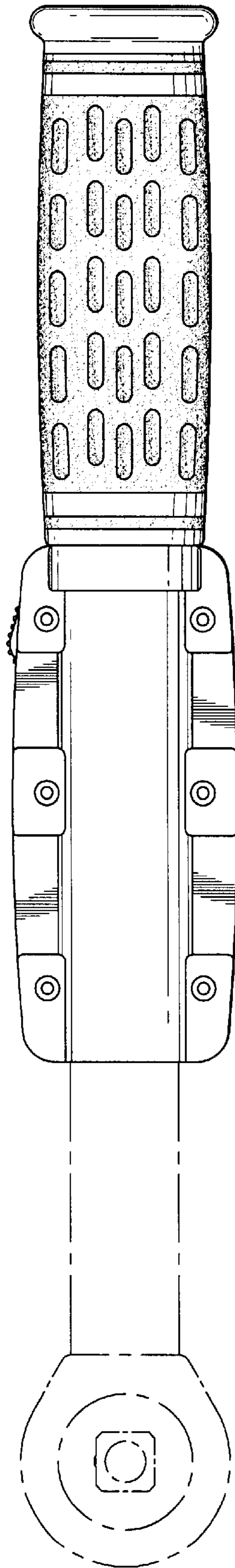


FIG. 7