



US00D533036S

(12) **United States Design Patent**
Seiple

(10) **Patent No.:** **US D533,036 S**

(45) **Date of Patent:** **** Dec. 5, 2006**

(54) **SQUID SHAPED CRAB CLAW CRACKER**

4,716,627 A * 1/1988 Scott, Jr. 452/6
5,613,904 A * 3/1997 LaSalle et al. 452/6

(76) Inventor: **Todd Seiple**, 727 Sapphire St., #109,
San Diego, CA (US) 92109

* cited by examiner

(**) Term: **14 Years**

Primary Examiner—Terry A. Wallace

(74) *Attorney, Agent, or Firm*—National IP Rights Center

(21) Appl. No.: **29/238,992**

(57) **CLAIM**

(22) Filed: **Sep. 23, 2005**

The ornamental design for a squid shaped crab claw cracker,
as shown and described.

(51) **LOC (8) Cl.** **07-04**

DESCRIPTION

(52) **U.S. Cl.** **D7/693**

FIG. 1 is a perspective view of a squid-shaped crab claw
cracker tool of the present invention.

(58) **Field of Classification Search** D7/680–696;
452/6, 102–105; 30/120.1–120.5
See application file for complete search history.

FIG. 2 is a side view of a squid-shaped crab claw cracker
tool in its closed configuration of the present invention.

FIG. 3 is a side view of a squid-shaped crab claw cracker
tool in its open configuration of the present invention.

FIG. 4 is a rear view of a squid-shaped crab claw cracker
tool in its closed configuration of the present invention; and,

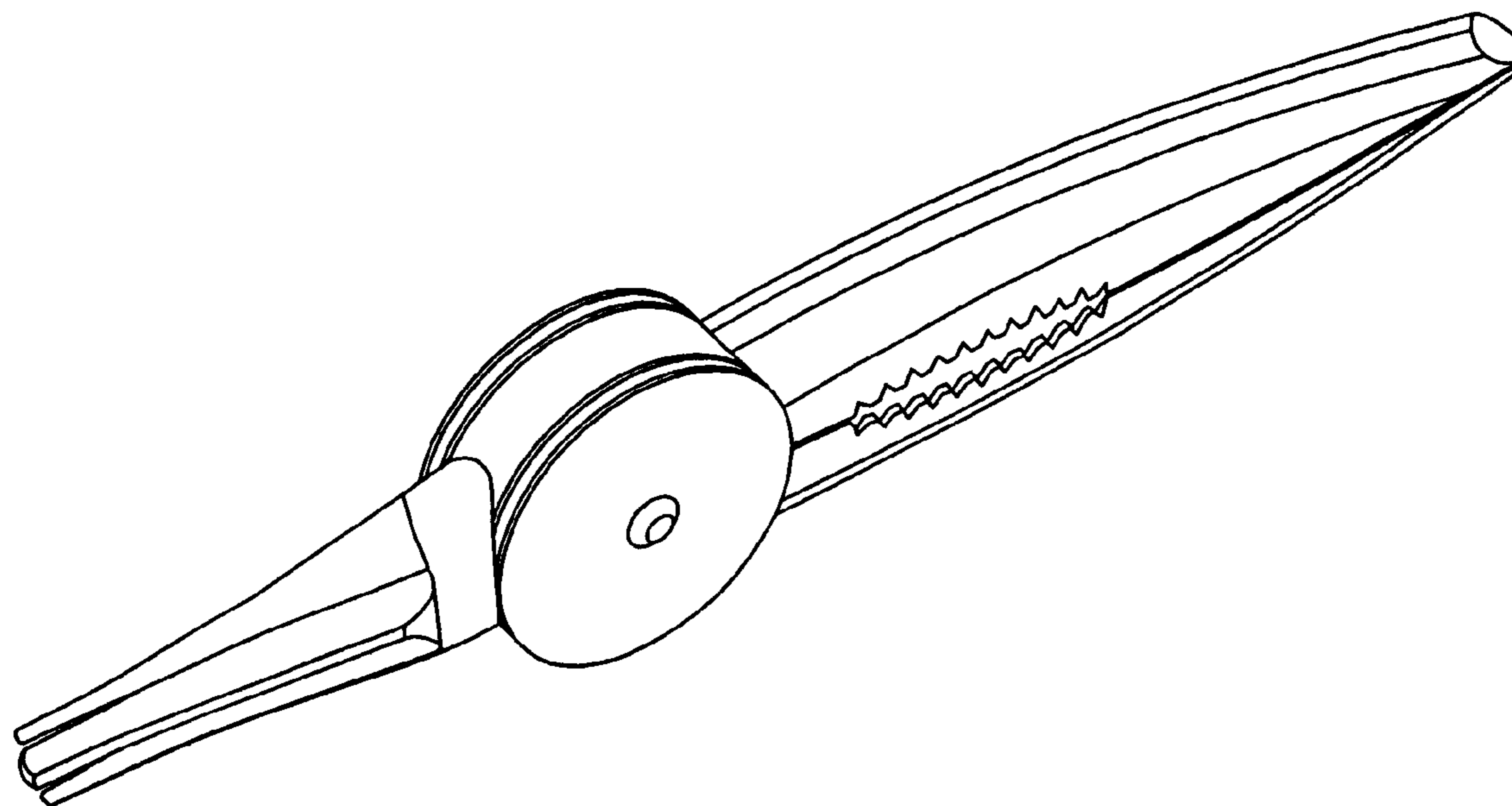
FIG. 5 is a front view of a squid-shaped crab claw cracker
tool in its open configuration of the present invention.

(56) **References Cited**

U.S. PATENT DOCUMENTS

4,103,395 A * 8/1978 Latorella 452/6
4,524,490 A * 6/1985 Newville 452/6

1 Claim, 5 Drawing Sheets



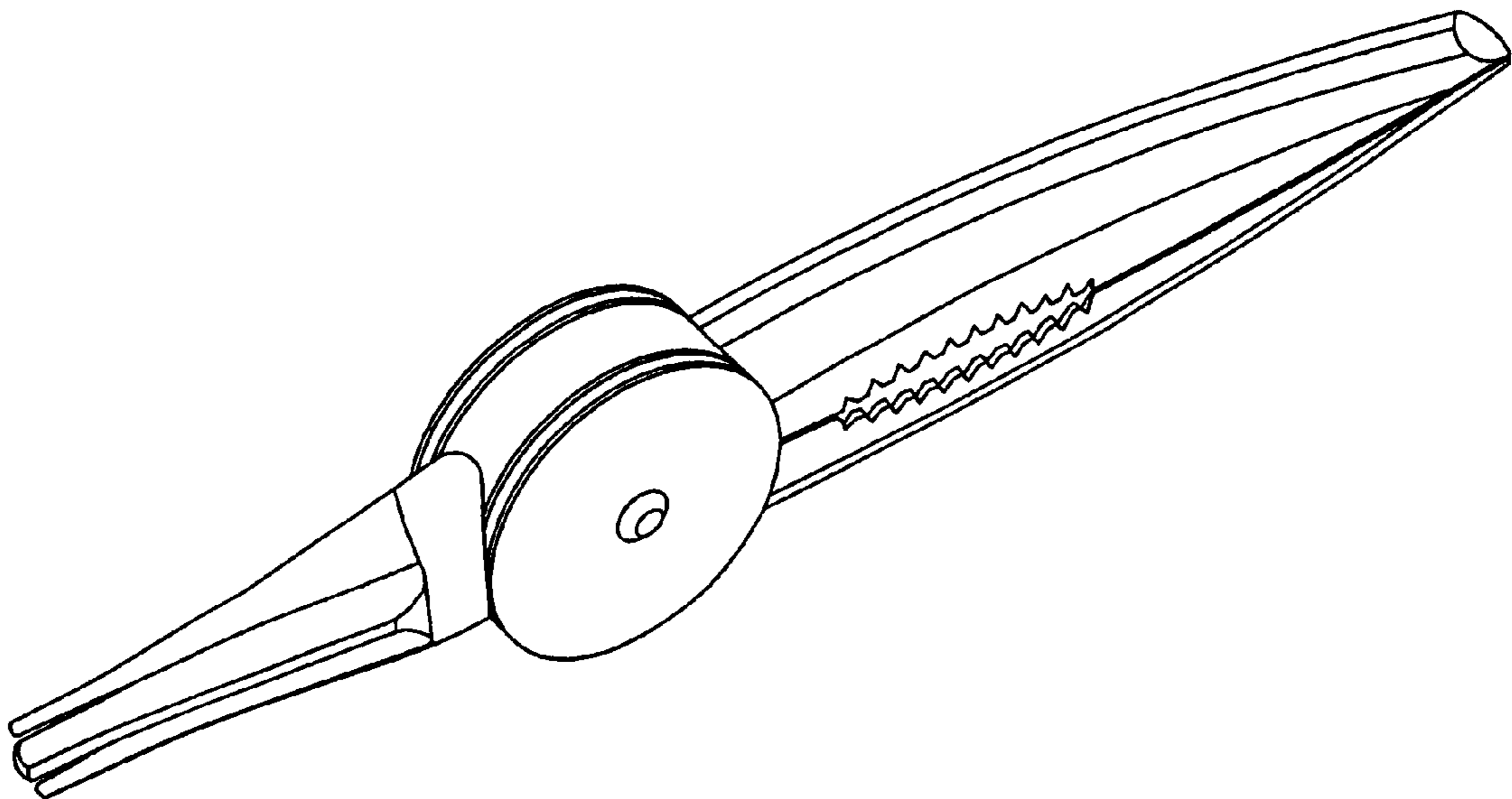


Figure 1

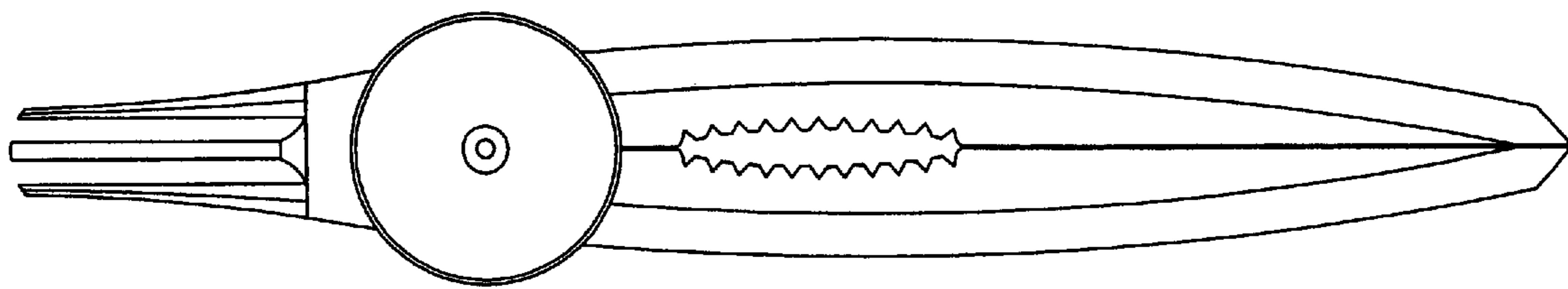


Figure 2

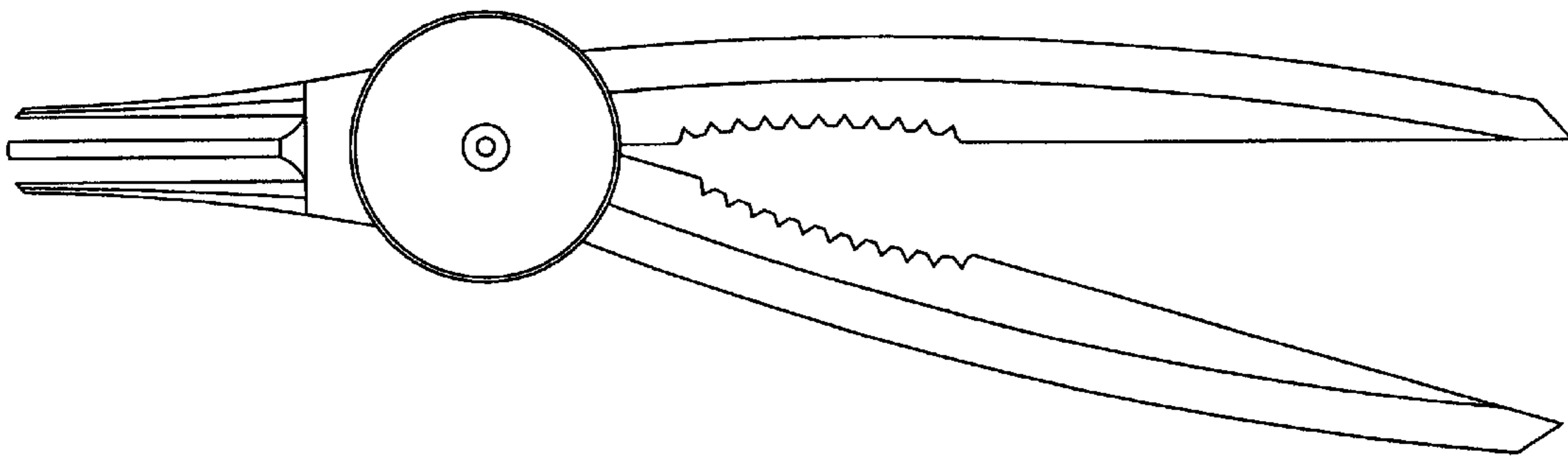


Figure 3

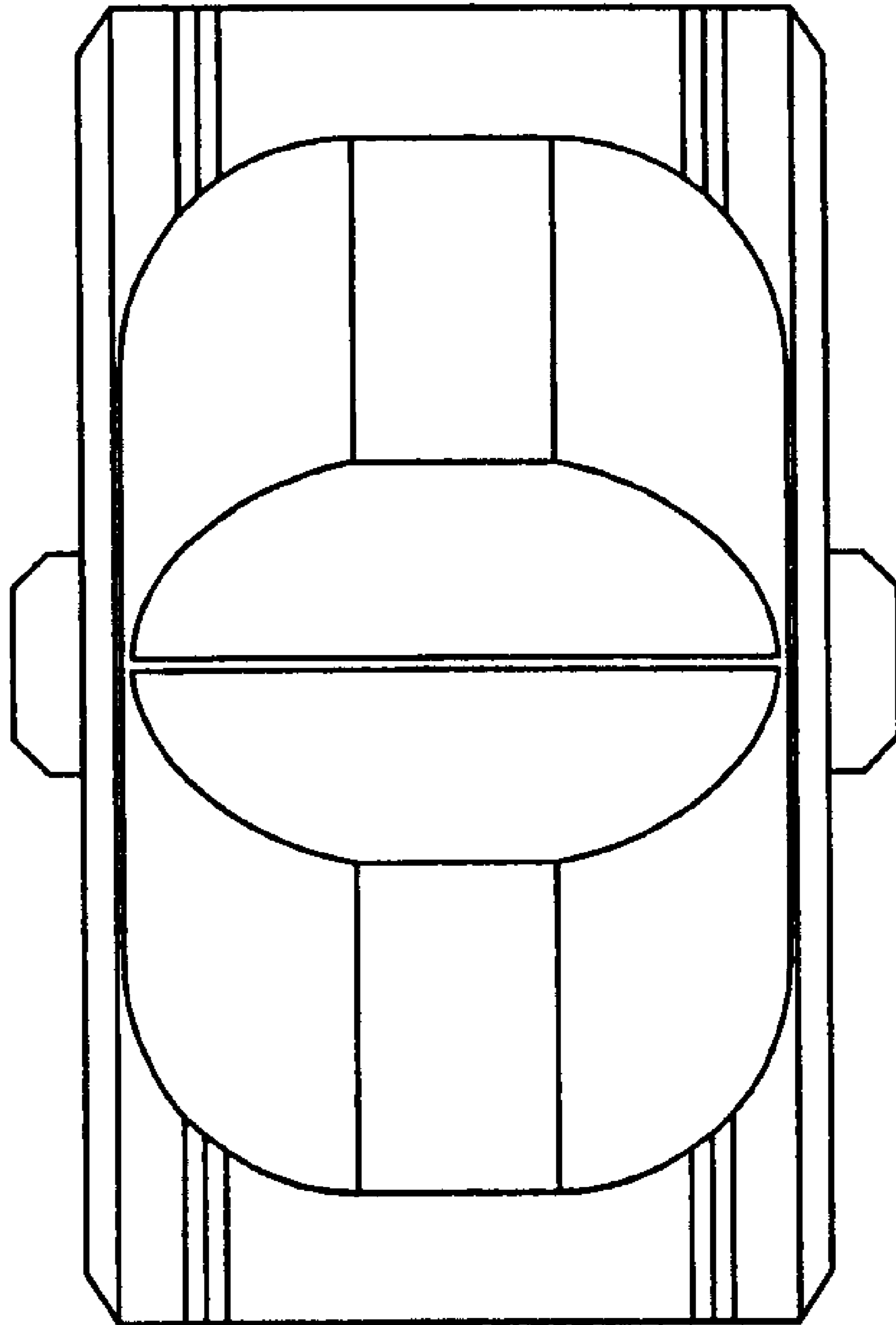


Figure 4

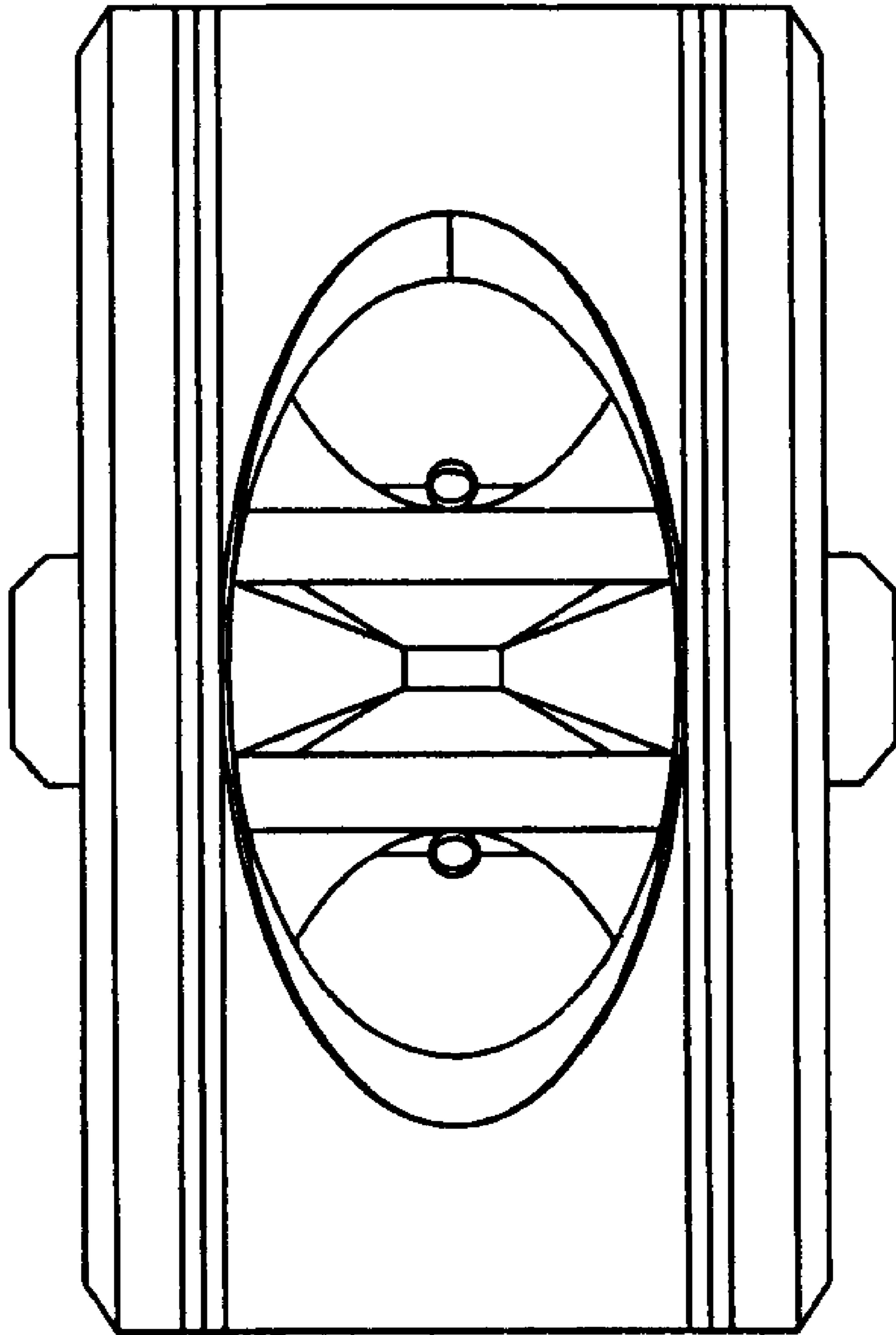


Figure 5