



US00D533032S

(12) **United States Design Patent**
Liu et al.

(10) **Patent No.:** **US D533,032 S**

(45) **Date of Patent:** **** Dec. 5, 2006**

(54) **HEATED FLASK**

(75) Inventors: **Chih-Hsiang Liu**, Changhua (TW);
Shu-Fen Li, Changhua (TW)

(73) Assignee: **J Sheng Co., Ltd.**, Chuanghua Hsien
(TW)

(**) Term: **14 Years**

(21) Appl. No.: **29/231,689**

(22) Filed: **Jun. 9, 2005**

(51) **LOC (8) Cl.** **07-01**

(52) **U.S. Cl.** **D7/608**

(58) **Field of Classification Search** D7/605-608;
62/457.1-457.9, 3.64, 3.7; 215/12.1, 12.2,
215/13.1; 220/592.01, 592.09, 592.16, 592.2,
220/592.22, 592.27; 219/387, 441, 435-438
See application file for complete search history.

(56) **References Cited**

U.S. PATENT DOCUMENTS

- 3,405,899 A * 10/1968 Trachtenberg et al. 219/437
- 4,959,528 A * 9/1990 Malloy 219/436
- 5,283,420 A * 2/1994 Montalto 219/438
- 5,329,778 A * 7/1994 Padamsee 215/13.1

- 6,119,888 A * 9/2000 Goto et al. 220/592.27
- D436,501 S * 1/2001 Huang D7/608
- 6,852,954 B1 * 2/2005 Liu et al. 219/436
- D502,846 S * 3/2005 Matthews D7/608

* cited by examiner

Primary Examiner—Terry A. Wallace

(74) *Attorney, Agent, or Firm*—Egbert Law Offices

(57) **CLAIM**

We claim the ornamental design for a heated flask, as shown and described.

DESCRIPTION

FIG. 1 is an upper perspective view of the heated flask showing my design.

FIG. 2 is a side view thereof;

FIG. 3 is a front view thereof;

FIG. 4 is an opposite side view thereof;

FIG. 5 is a back view thereof;

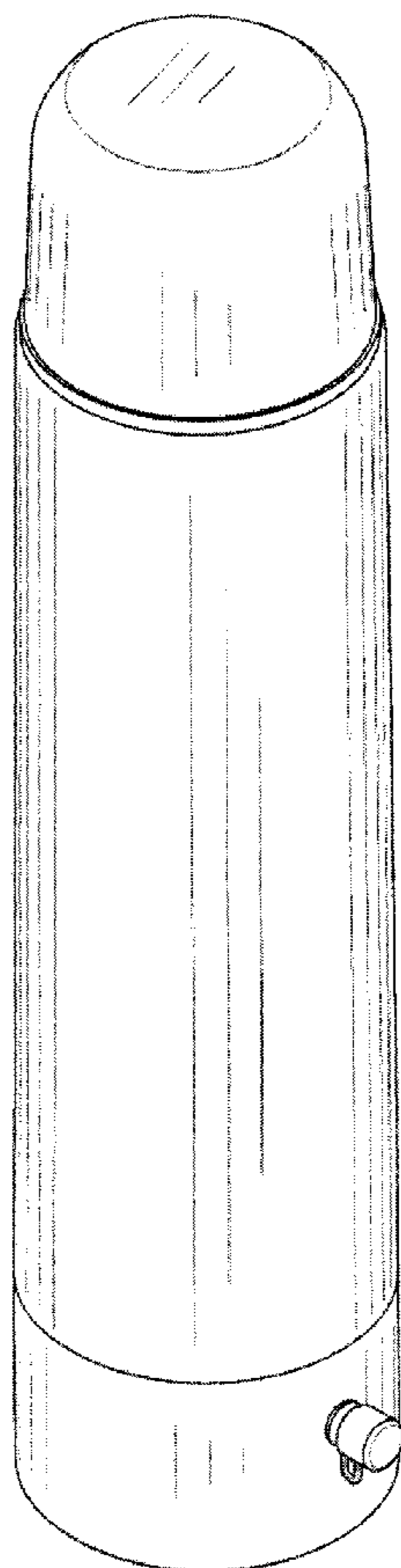
FIG. 6 is a top plan view thereof;

FIG. 7 is a bottom view thereof; and,

FIG. 8 is another perspective view showing attachment to a cord in dotted lines.

The dotted lines are presented for illustrative purposes and form no part of the claimed design.

1 Claim, 7 Drawing Sheets



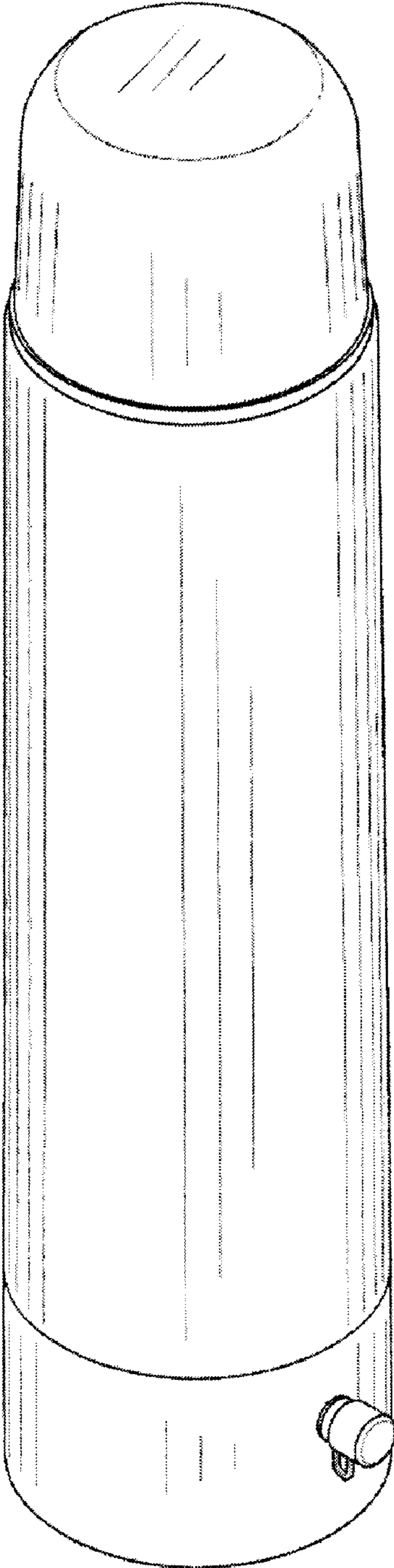


FIG. 1

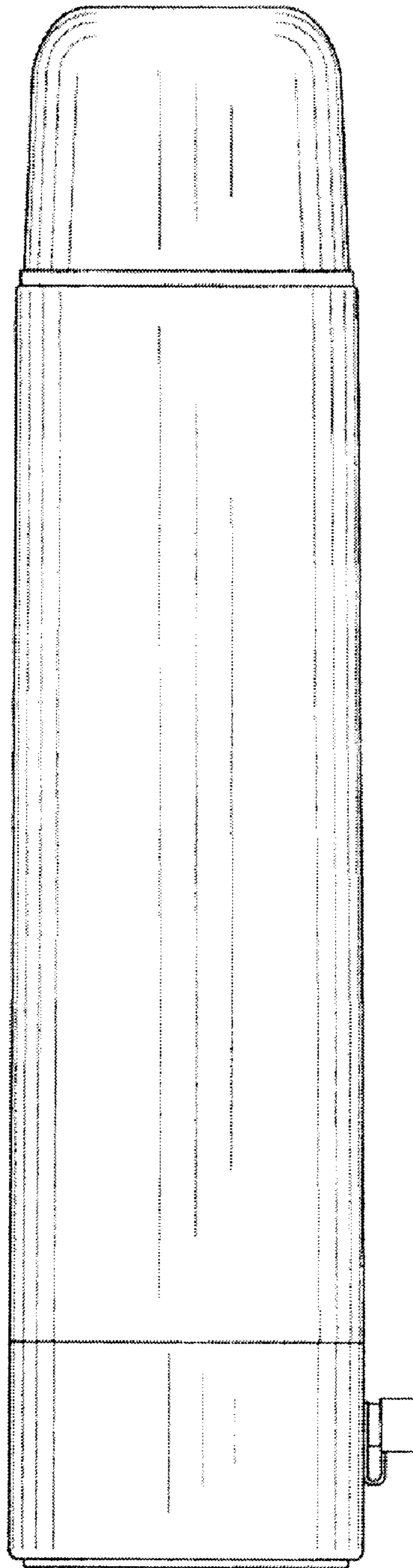


FIG. 2

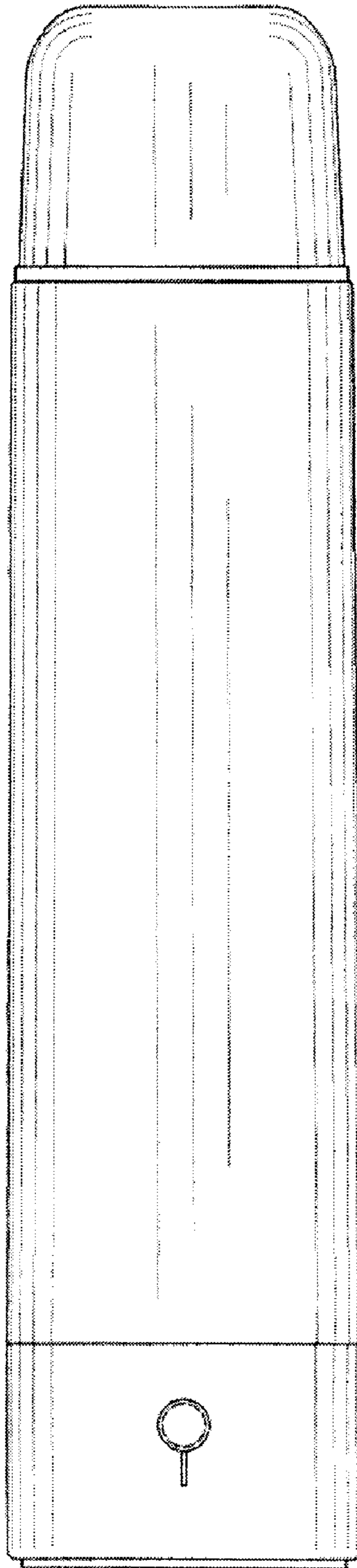


FIG.3

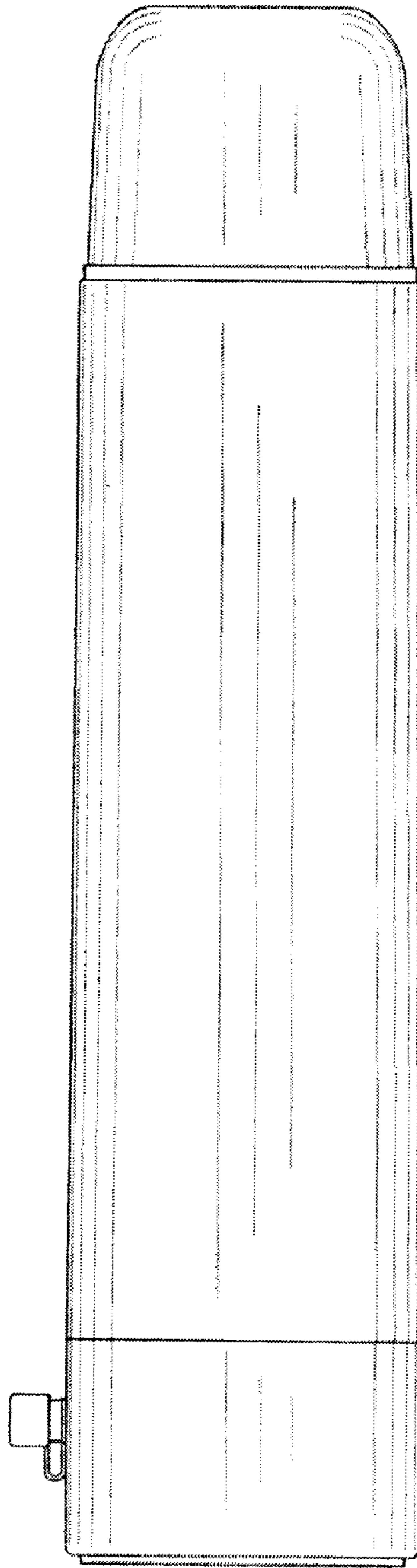


FIG. 4

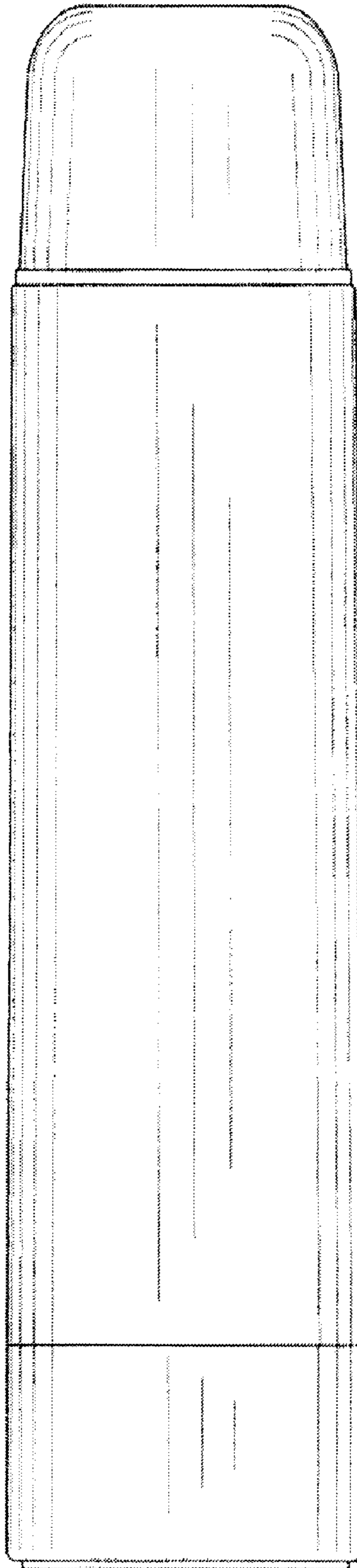


FIG. 5

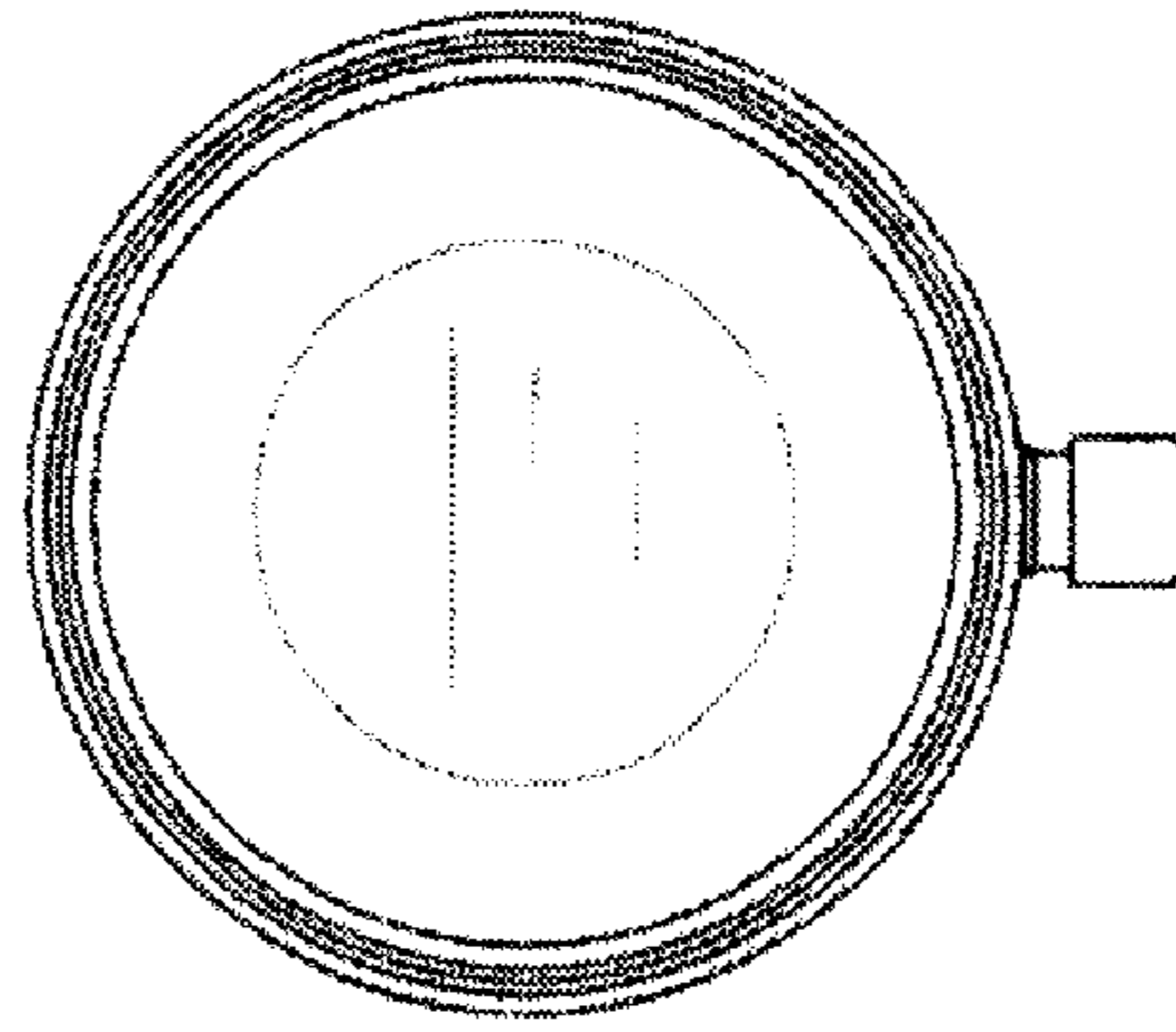


FIG. 6

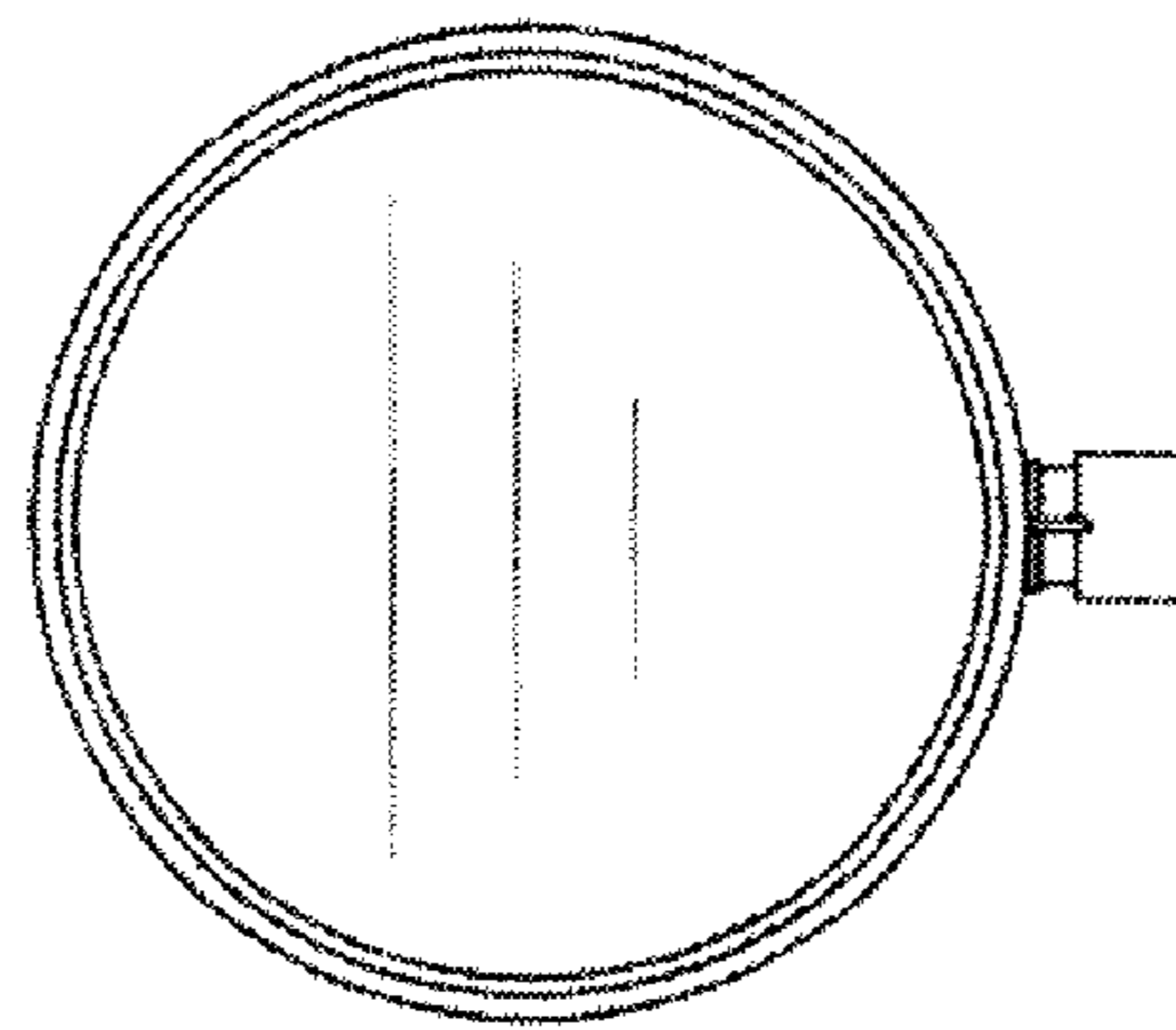


FIG. 7

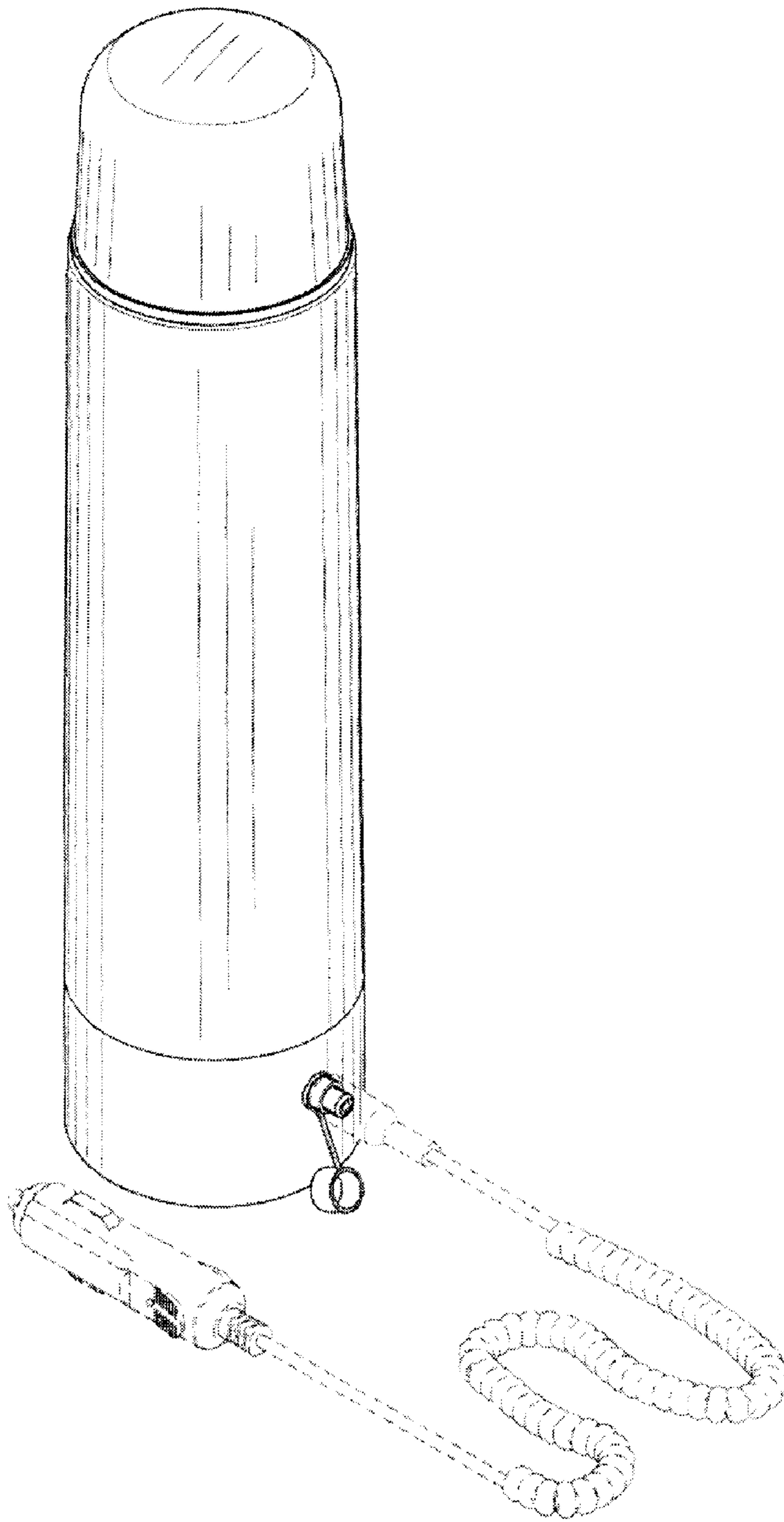


FIG. 8