



US00D533029S

(12) **United States Design Patent** (10) **Patent No.:** **US D533,029 S**  
**Palm et al.** (45) **Date of Patent:** **\*\* Dec. 5, 2006**

- (54) **TWO-TONED TEAKETTLE BODY**
- (75) Inventors: **William J. Palm**, Newtonville, MA  
 (US); **Gregg Flender**, Bedford, MA  
 (US); **James Wilson**, Norwood, MA  
 (US); **John Costello**, Wellesley, MA  
 (US)
- (73) Assignee: **WKI Holding Company, Inc.**, Reston,  
 VA (US)
- (\*\*) Term: **14 Years**
- (21) Appl. No.: **29/210,094**
- (22) Filed: **Jul. 27, 2004**
- (51) **LOC (8) Cl.** ..... **07-01**
- (52) **U.S. Cl.** ..... **D7/399; D7/322**
- (58) **Field of Classification Search** ..... D7/393,  
 D7/399, 395, 322, 321, 397, 398; D8/300,  
 D8/302, 303, 307, 308; D23/250–254; 222/465.1,  
 222/473, 475, 756, 469, 472; 126/390.1,  
 126/385.1; 220/592.28, 263

- 2,666,556 A 1/1954 Ziskin et al.  
 2,670,107 A 2/1954 Welden  
 2,696,332 A 12/1954 Felver  
 2,748,997 A 6/1956 Richmond, Sr.  
 3,130,881 A 4/1964 Jepson  
 3,341,088 A 9/1967 Moynihan  
 3,469,747 A 9/1969 Richmond, Jr.  
 D221,062 S 7/1971 Huthsing, Jr.  
 3,591,060 A 7/1971 Nakamura  
 3,848,563 A 11/1974 Brown  
 3,851,791 A 12/1974 Flider  
 3,954,203 A 5/1976 Jorgenson et al.  
 4,026,274 A 5/1977 Gutierrez  
 4,069,751 A 1/1978 Gronwick et al.  
 4,123,871 A 11/1978 Knott  
 4,141,473 A 2/1979 Hudson  
 4,155,349 A 5/1979 Hudson  
 4,189,016 A 2/1980 Nicol  
 4,203,529 A 5/1980 Torassa et al.  
 4,261,328 A 4/1981 Kirk  
 4,385,585 A 5/1983 Lebowitz  
 4,430,556 A 2/1984 Inskip  
 4,470,220 A 9/1984 Sudo  
 4,491,251 A 1/1985 Pratz  
 4,550,027 A 10/1985 Stone

See application file for complete search history.

(Continued)

(56) **References Cited**  
 U.S. PATENT DOCUMENTS

- 1,173,989 A 2/1916 Thalman et al.  
 D152,461 S 10/1920 Humphrey et al.  
 1,486,802 A 3/1924 Royse  
 1,576,811 A 3/1926 Clark  
 1,646,154 A 10/1927 Kroll  
 1,658,645 A 2/1928 McGee  
 1,938,527 A 12/1933 Marelli  
 1,954,983 A 4/1934 Brown  
 D95,354 S 4/1935 Kircher  
 2,014,582 A 9/1935 Putz  
 2,169,239 A 8/1939 Hacmac  
 2,276,917 A 3/1942 Bernhardt  
 607,046 A 8/1948 Bramah et al.  
 2,501,142 A 3/1950 Reichart  
 2,574,876 A 11/1951 Lebus  
 2,590,596 A 3/1952 Ziskin et al.  
 2,624,493 A 1/1953 Porter  
 2,638,253 A 5/1953 Mueller

*Primary Examiner*—M. N. Pandozzi  
 (74) *Attorney, Agent, or Firm*—Wolf, Greenfield & Sacks,  
 P.C.

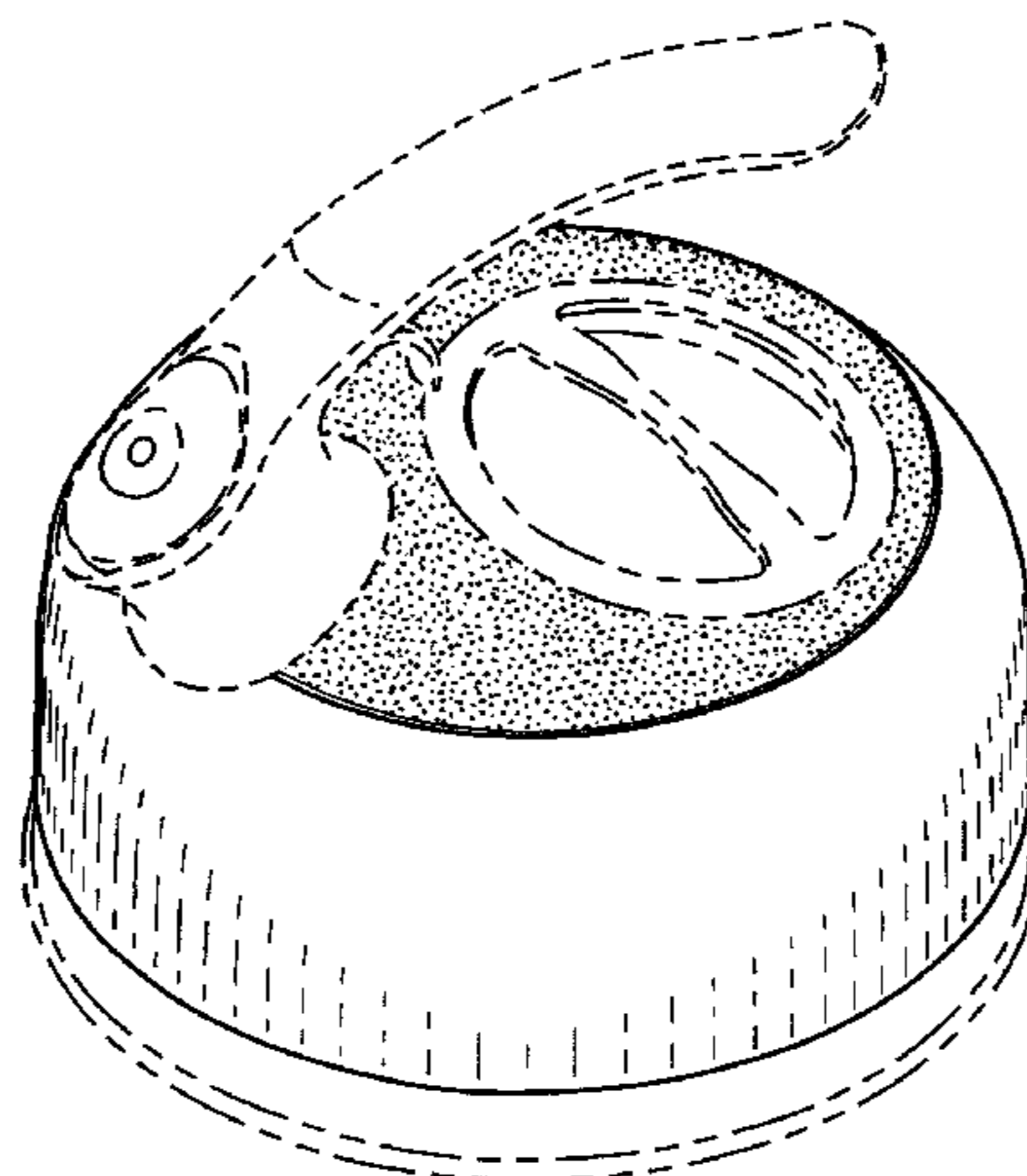
(57) **CLAIM**

The ornamental design for a two-toned teakettle body, as shown and described.

**DESCRIPTION**

FIG. 1 is a side, top perspective view of a two-toned teakettle body showing our new design;  
 FIG. 2 is a top view thereof;  
 FIG. 3 is a front view thereof;  
 FIG. 4 is a left side view thereof; and,  
 FIG. 5 is a rear view thereof.  
 The broken lines in the drawing are for illustrative purposes only and form no part of the claimed design.

**1 Claim, 3 Drawing Sheets**



# US D533,029 S

Page 2

## U.S. PATENT DOCUMENTS

4,614,859 A	9/1986	Beckering		5,690,094 A	11/1997	Sheinfeld	
4,624,385 A	11/1986	Yano		5,693,244 A	12/1997	Pragt	
D288,518 S	3/1987	Lebowitz		5,706,985 A	1/1998	Feer	
4,648,535 A	3/1987	Zimmermann		D396,988 S *	8/1998	Lien .....	D7/322
4,667,584 A	5/1987	Koyama		5,793,020 A	8/1998	O'Neill	
4,735,191 A	4/1988	Boursse		D400,709 S	11/1998	Chang	
4,744,183 A	5/1988	Kruger		D402,154 S	12/1998	Joergensen	
4,759,274 A	7/1988	Schmidt		5,873,476 A	2/1999	Takahashi	
4,768,989 A	9/1988	Moomaw		D406,720 S *	3/1999	Strum et al. ....	D7/302
4,773,563 A	9/1988	Taylor		5,875,941 A	3/1999	Hsu	
4,813,368 A	3/1989	Hutter		5,881,484 A	3/1999	Carroll	
D302,511 S	8/1989	Porcelli		5,921,425 A	7/1999	Markey	
4,857,897 A	8/1989	Chen		D413,039 S *	8/1999	Schulein .....	D7/322
4,873,918 A	10/1989	Goldman		5,944,224 A	8/1999	Hodge	
4,921,146 A	5/1990	Salzmann		5,947,343 A	9/1999	Horstmann	
D308,314 S	6/1990	Ancona		6,006,959 A	12/1999	Naden	
D308,315 S	6/1990	Ancona		6,050,446 A	4/2000	Lei	
D308,810 S	6/1990	Murawski		D425,400 S	5/2000	Geringer	
D311,839 S	11/1990	Hutter		6,095,366 A	8/2000	Sova	
5,037,015 A	8/1991	Collins		D436,788 S *	1/2001	Strum et al. ....	D7/302
5,065,884 A	11/1991	Naritomi		6,216,903 B1	4/2001	Hirose	
D322,734 S *	12/1991	Solomon .....	D7/322	D445,294 S *	7/2001	Ryan et al. ....	D7/322
5,072,858 A	12/1991	Brashier		D448,239 S *	9/2001	Ide et al. ....	D7/399
5,135,128 A	8/1992	Kuhn		D448,963 S *	10/2001	Shim .....	D7/322
5,171,952 A	12/1992	Waligorski		6,298,773 B1	10/2001	Cali	
D336,006 S	6/1993	Lebowitz		6,352,166 B1	3/2002	Copeland	
D342,640 S	12/1993	Lebowitz		6,377,750 B1	4/2002	Scott	
5,294,014 A	3/1994	Wyatt		6,390,014 B1	5/2002	Ghidini	
D352,419 S *	11/1994	Lin .....	D7/322	6,398,083 B1	6/2002	Nybakke	
5,413,257 A	5/1995	Amberger		D459,937 S *	7/2002	Thurlow et al. ....	D7/322
D360,101 S	7/1995	Lee		6,474,493 B1	11/2002	Lacout	
5,490,616 A	2/1996	Stowell		6,520,380 B1	2/2003	Veltrop	
D373,499 S	9/1996	Piret		6,540,120 B1	4/2003	Lebowitz	
5,582,316 A	12/1996	Masayoshi		D478,243 S	8/2003	Lebowitz	
5,588,567 A	12/1996	Yeh		D478,768 S	8/2003	Belton	
5,615,808 A	4/1997	Huang		D483,600 S	12/2003	Thurlow	
D380,337 S	7/1997	Lien		D504,273 S *	4/2005	Ancona .....	D7/322
D381,859 S	8/1997	Joergensen		D506,635 S *	6/2005	Krent et al. ....	D7/321
5,653,362 A	8/1997	Patel		2003/0019889 A1	1/2003	Lebowitz	
5,672,274 A	9/1997	Wheeler					

\* cited by examiner

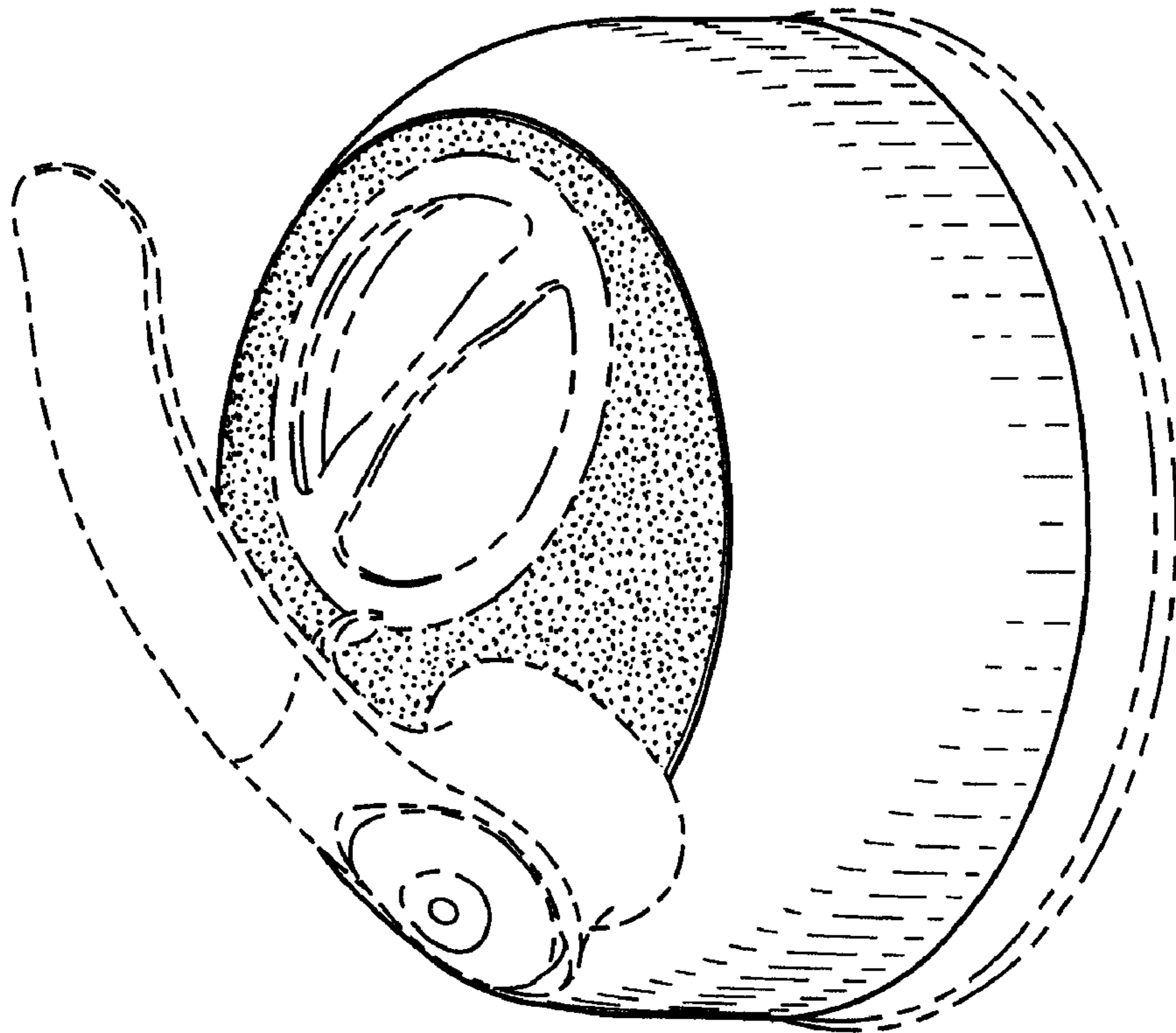


FIG. 1

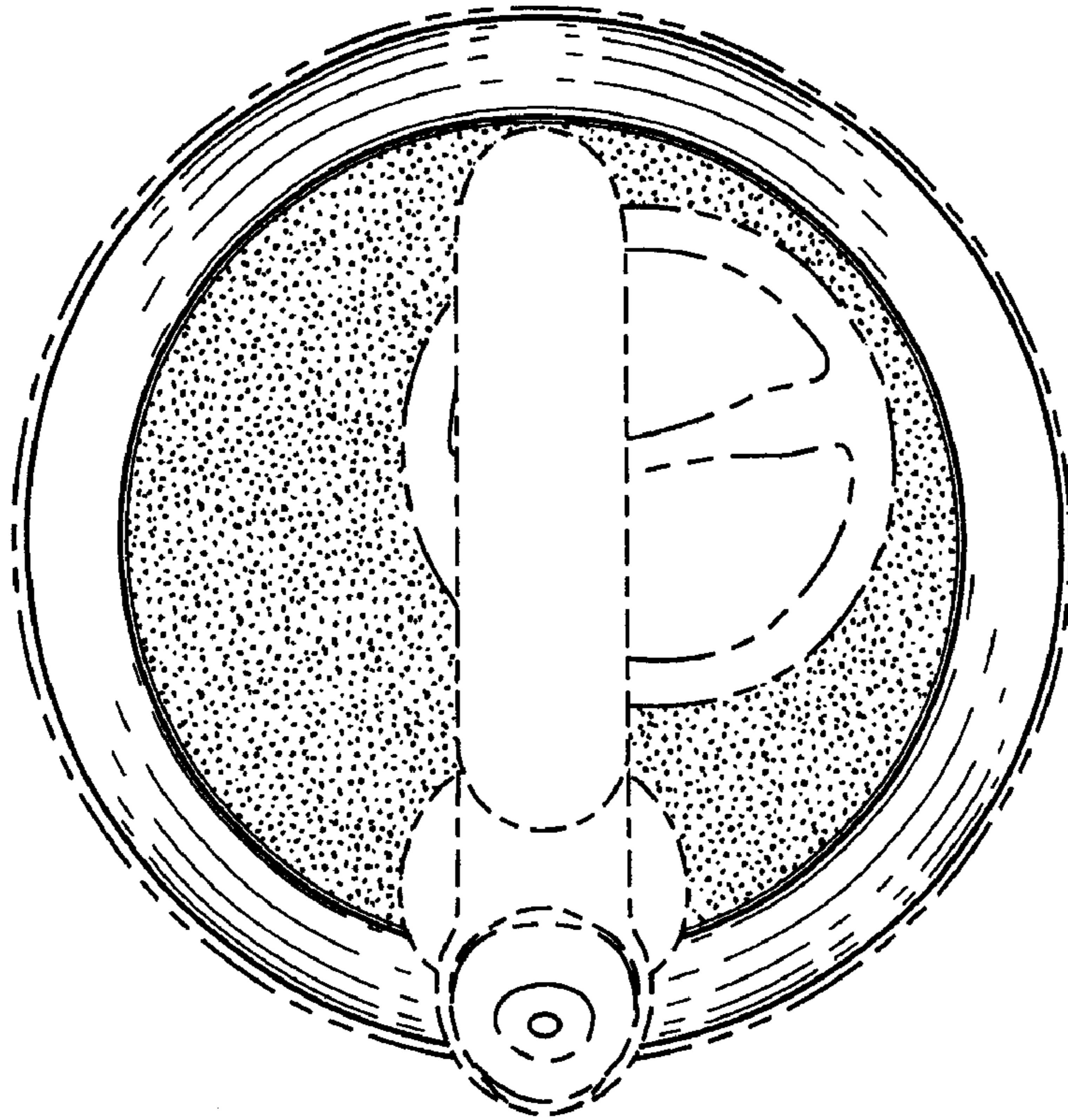


FIG. 2

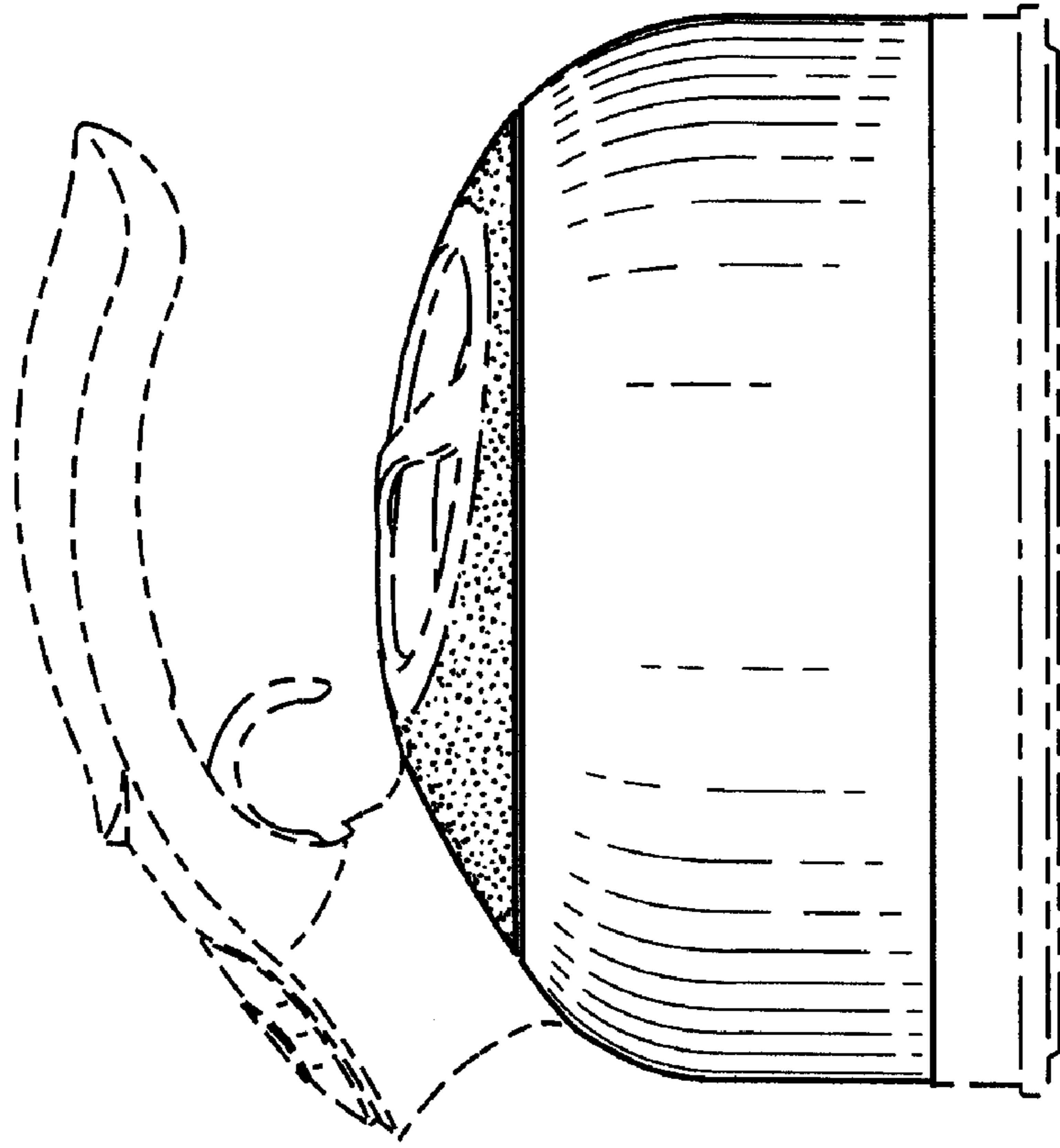


FIG. 4

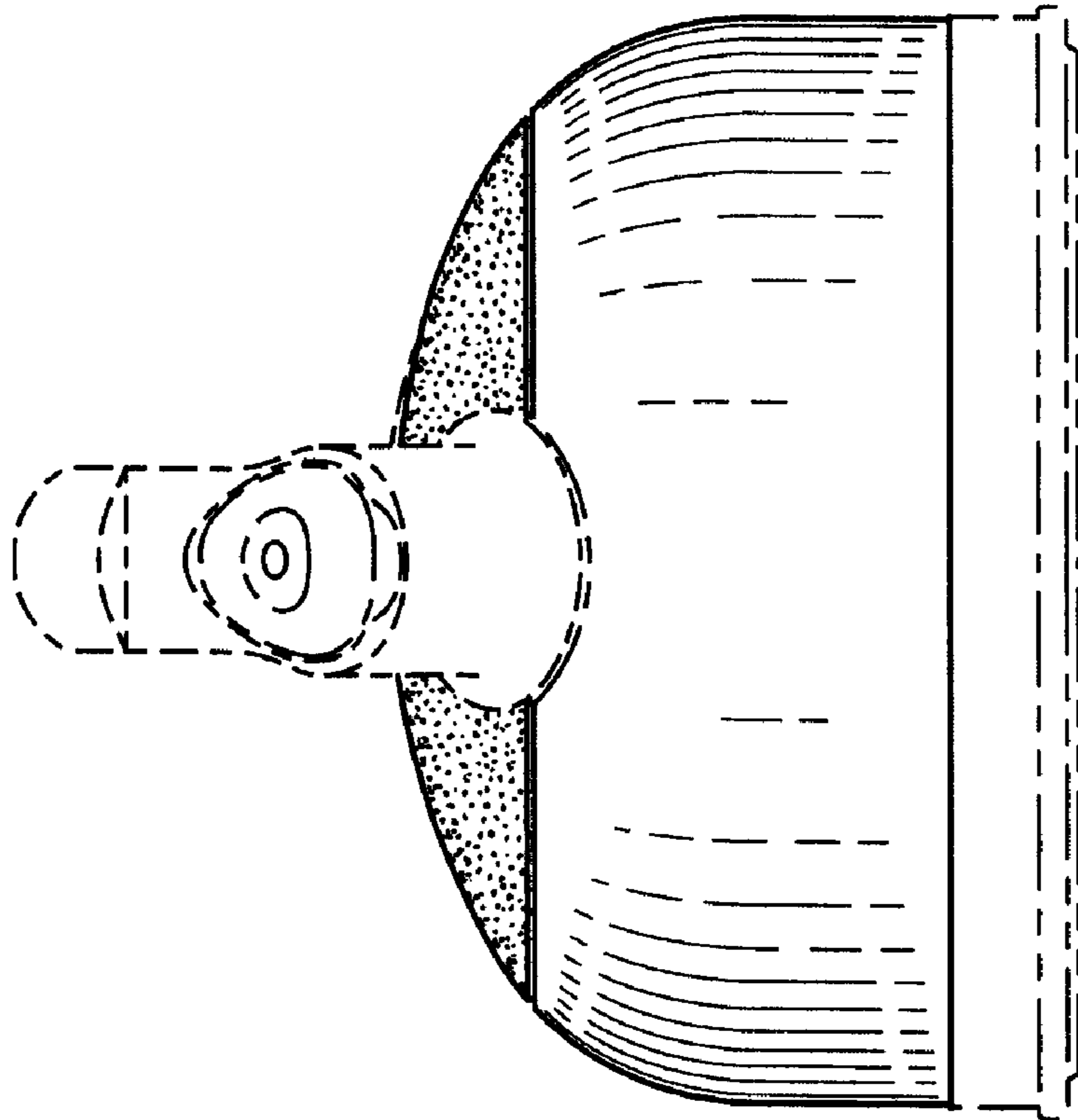


FIG. 3

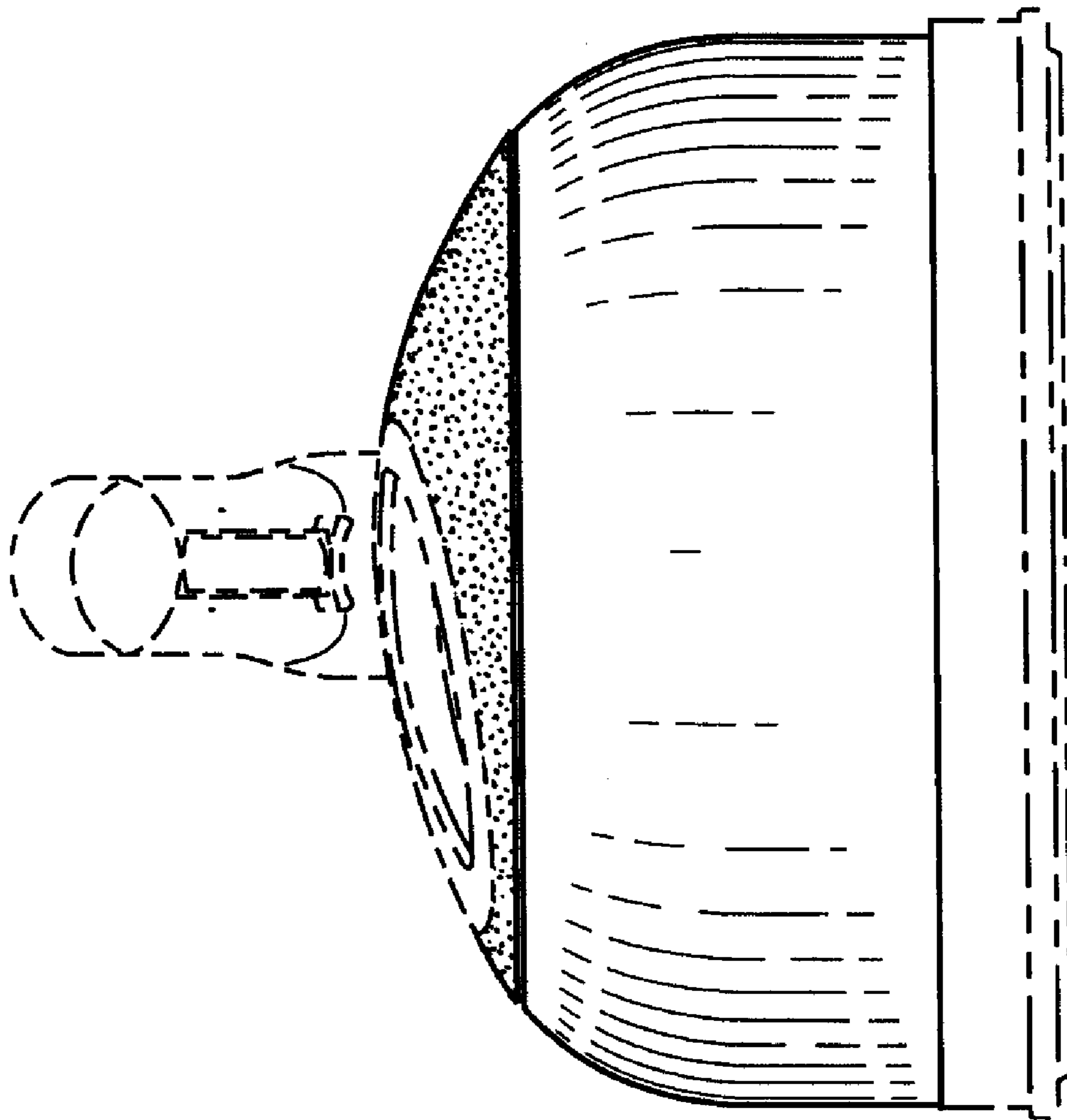


FIG. 5