



US00D533021S

(12) **United States Design Patent**
Koszalinski et al.

(10) **Patent No.:** **US D533,021 S**

(45) **Date of Patent:** **** Dec. 5, 2006**

(54) **STAND MIXER**

(75) Inventors: **Scott Koszalinski**, Boynton Beach, FL (US); **Brooks Rorke**, Guilford, CT (US); **Augusto Picozza**, Boca Raton, FL (US); **Boris Paisley**, Coral Springs, FL (US)

(73) Assignee: **Sunbeam Products, Inc.**, Boca Raton, FL (US)

(**) Term: **14 Years**

D256,319 S	*	8/1980	Ernest et al.	D7/412
4,277,181 A	*	7/1981	Stahly et al.	366/69
D378,560 S	*	3/1997	Myers et al.	D7/379
D384,549 S	*	10/1997	Cesaroni et al.	D7/379
D395,572 S	*	6/1998	Carroll et al.	D7/379
5,782,558 A	*	7/1998	Roberts	366/199
D436,497 S	*	1/2001	Nalbandian	D7/379
D438,424 S	*	3/2001	Po-Hei	D7/379
D438,752 S	*	3/2001	Po-Hei	D7/379
D483,986 S	*	12/2003	Boyle et al.	D7/379
D489,569 S	*	5/2004	Smith et al.	D7/379
D489,936 S	*	5/2004	Smith et al.	D7/379

FOREIGN PATENT DOCUMENTS

WO WO 9848930 A1 * 11/1998

* cited by examiner

Primary Examiner—Cathron C. Brooks

Assistant Examiner—Ricky Pham

(74) *Attorney, Agent, or Firm*—Lawrence J. Shurupoff

(57) **CLAIM**

The ornamental design for a stand mixer, as shown and described.

DESCRIPTION

FIG. 1 is a top left front perspective view of a stand mixer; FIG. 2 is a left side elevation view thereof; FIG. 3 is a front view thereof; FIG. 4 is a right side elevation view thereof; FIG. 5 is a rear view thereof; and, FIG. 6 is a top plan view thereof.

The broken lines shown in the drawing is for illustrative purposes only and forms no part of the claimed design.

(21) Appl. No.: **29/215,722**

(22) Filed: **Oct. 22, 2004**

(51) **LOC (8) Cl.** **31-00**

(52) **U.S. Cl.** **D7/379**

(58) **Field of Classification Search** D7/306, D7/309, 311, 376–386, 412, 413, 415, 509, D7/523, 529, 530, 665, 166–169; 99/348, 99/509–511; 241/30, 33, 36, 37.5, 168, 101.01, 241/101.1, 199, 101.2, 279, 282.2, 285.1, 241/285.2, 199.12, 282.1, 291, 292.1, 301, 241/274–278.2, 285.3; 366/64–67, 98, 100, 366/129, 130, 146, 192, 197–214, 241–254, 366/279, 282, 314, 318, 325.3, 325.92, 325.93, 366/325.94, 327.2, 328.2, 329.1, 330.1, 330.2, 366/330.3, 330.4, 330.5, 219–221, 341–349; D8/1, 16, 20, 9; D9/447; 219/209

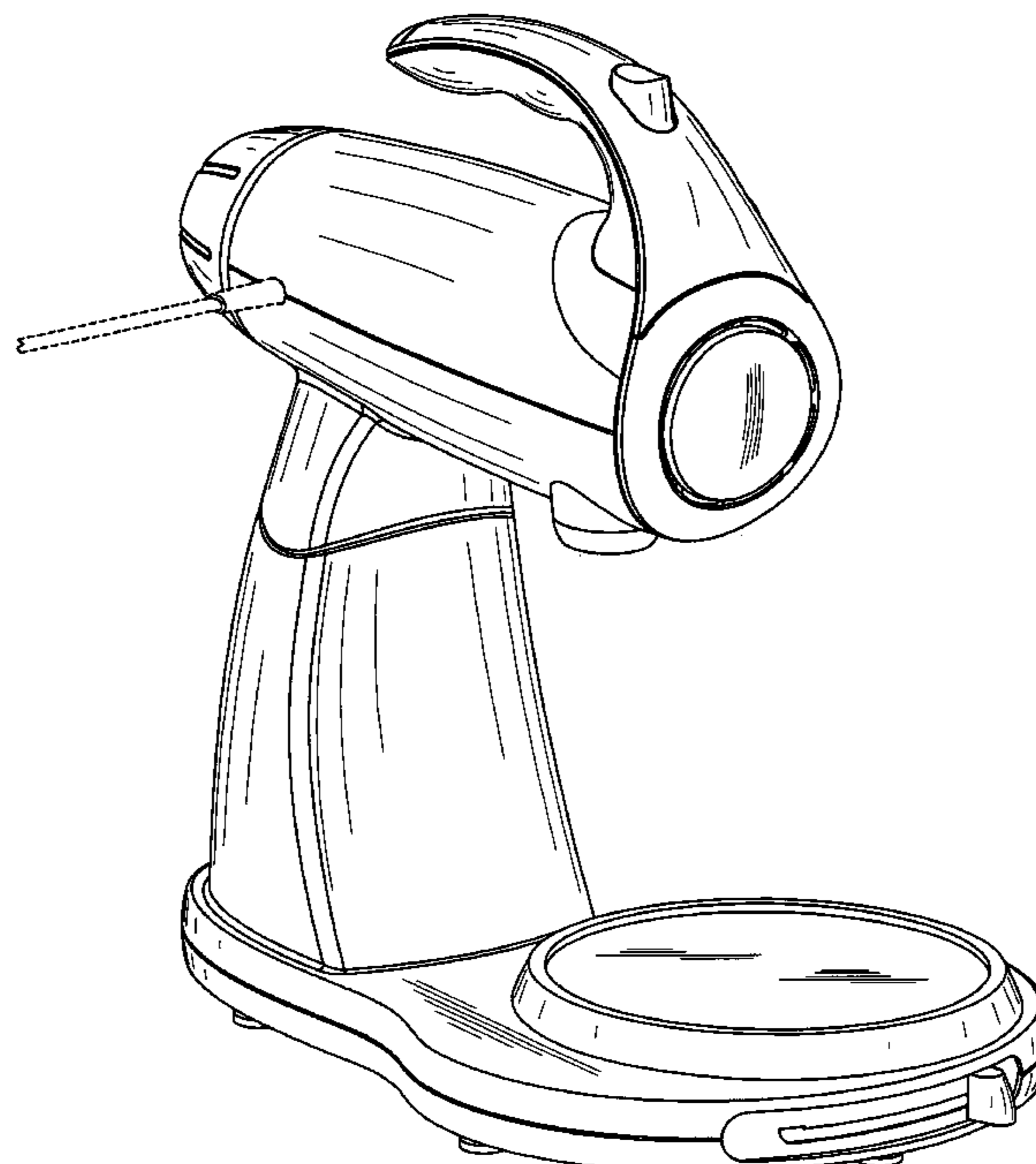
See application file for complete search history.

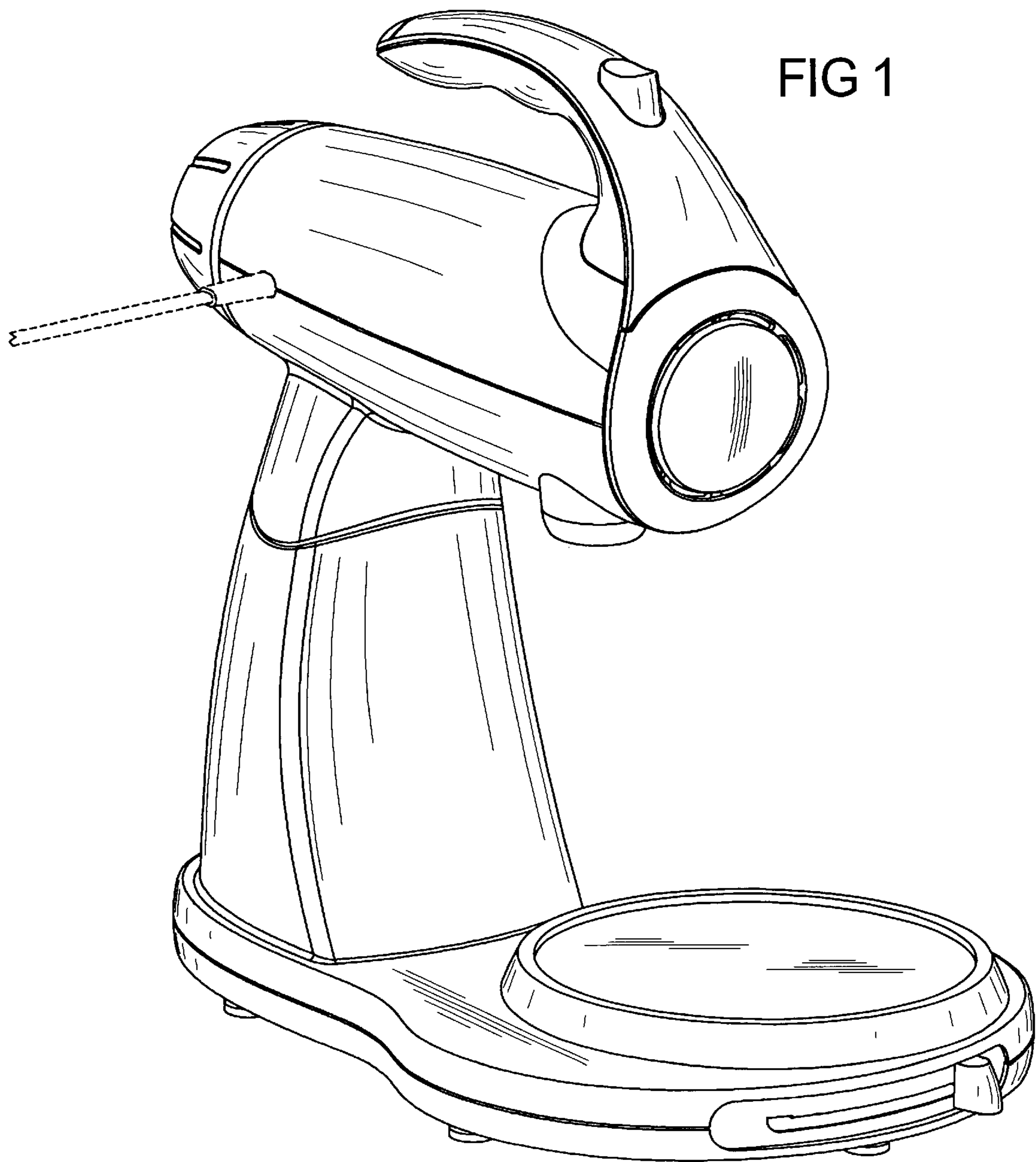
(56) **References Cited**

U.S. PATENT DOCUMENTS

D131,792 S * 3/1942 Strauss D7/379

1 Claim, 6 Drawing Sheets





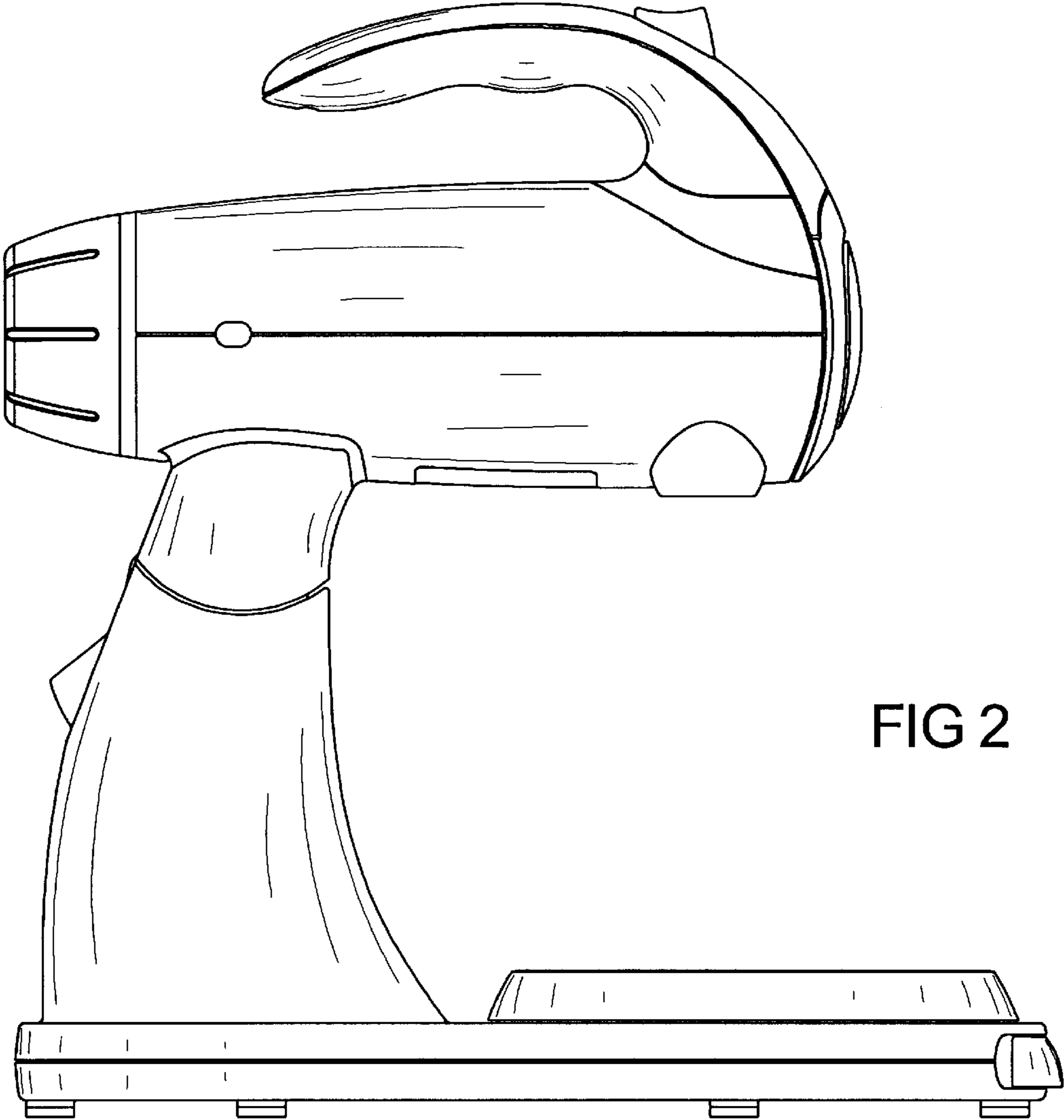
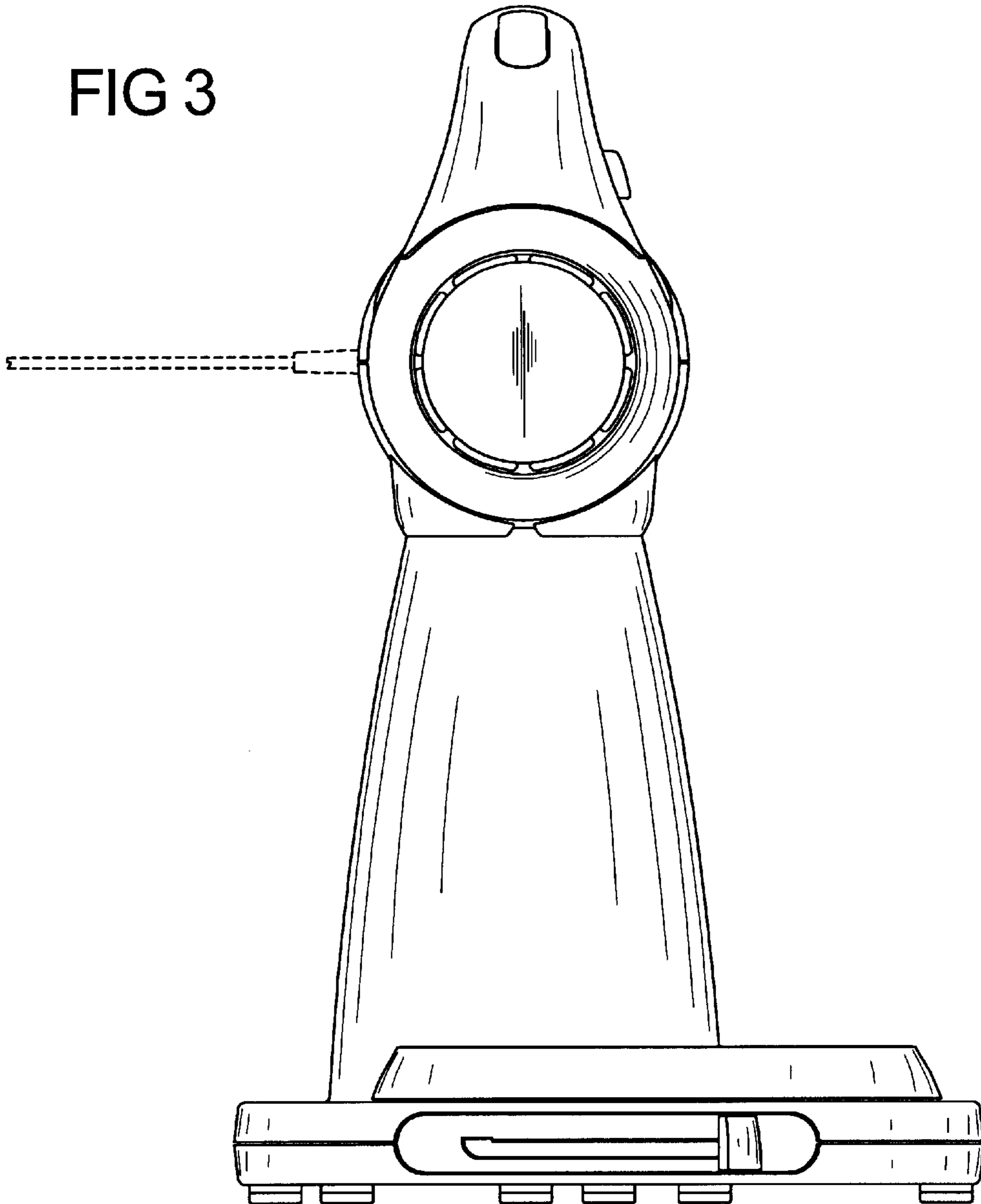


FIG 2

FIG 3



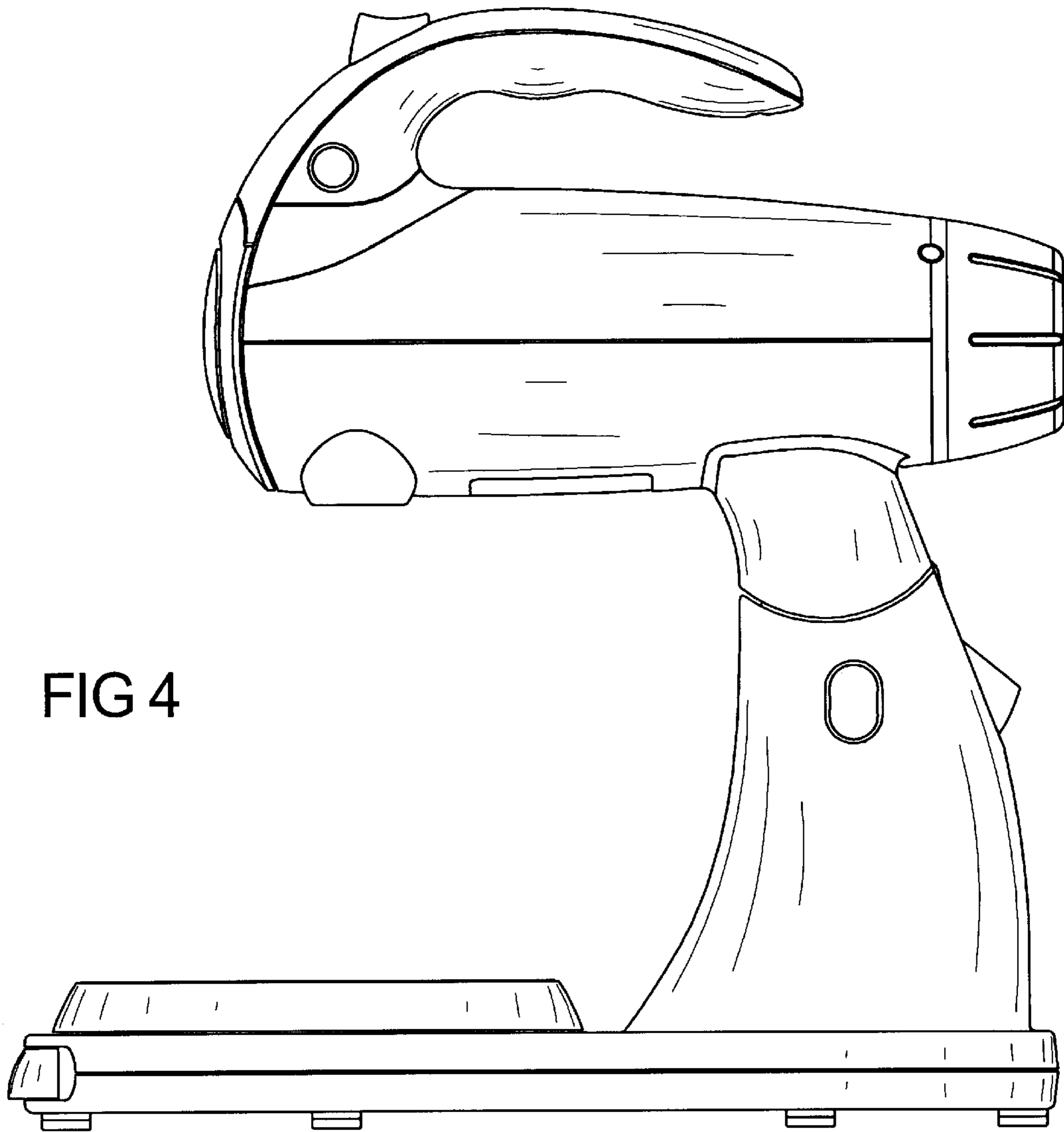


FIG 4

FIG 5

