



US00D533020S

(12) **United States Design Patent**
Kassenaar et al.

(10) **Patent No.:** **US D533,020 S**
(45) **Date of Patent:** **** Dec. 5, 2006**

(54) **BLENDER**

(75) Inventors: **Anne Judith Kassenaar**, Cambridge, MA (US); **Devin Lee Moore**, Decatur, GA (US)

(73) Assignee: **Conair Corporation**, Stamford, CT (US)

(**) Term: **14 Years**

(21) Appl. No.: **29/254,905**

(22) Filed: **Feb. 28, 2006**

(51) **LOC (8) Cl.** **31-00**

(52) **U.S. Cl.** **D7/378**

(58) **Field of Classification Search** D7/376–386,
D7/412, 413, 665; 99/509–511; 241/30, 33,
241/37.5, 101.01–101.02, 166–169.1, 274–278.2,
241/282.1–282.2, 285.1–285.3, 291, 292.1,
241/301; 366/64–67, 98, 100, 129, 197–201,
366/205–207, 219–221, 241–254, 279–292,
366/325.94, 330.4, 341–343

See application file for complete search history.

(56) **References Cited**

U.S. PATENT DOCUMENTS

- D114,673 S * 5/1939 Cravaritis D7/300.1
- D199,888 S * 12/1964 Dewenter D7/378
- D394,986 S * 6/1998 Lallemand D7/378
- D400,757 S * 11/1998 Hippen et al. D7/378
- D412,809 S * 8/1999 Toro et al. D7/378
- D415,384 S * 10/1999 Littmann D7/378

- D445,635 S * 7/2001 Gort-Barten D7/378
- D448,967 S * 10/2001 Planca et al. D7/378
- D466,362 S * 12/2002 Moore D7/378
- D473,099 S * 4/2003 Yamamoto et al. D7/378
- D478,468 S * 8/2003 Holderfield et al. D7/386
- D502,358 S * 3/2005 Weaden D7/378
- D507,149 S * 7/2005 Ball et al. D7/386

OTHER PUBLICATIONS

Cuisinart Website May 2005, The Cuisinart SmartPower Classic™ Blender http://www.cuisinart.com/catalog/product.php?product_id=371&item_id=468&cat_id=1.*

* cited by examiner

Primary Examiner—Cathron C. Brooks

Assistant Examiner—Ricky Pham

(74) *Attorney, Agent, or Firm*—Lawrence Cruz; Steven A. Garner

(57) **CLAIM**

The ornamental design for a blender, as shown.

DESCRIPTION

FIG. 1 is a perspective view of a blender showing our new design;

FIG. 2 is a front view thereof;

FIG. 3 is a left side view thereof;

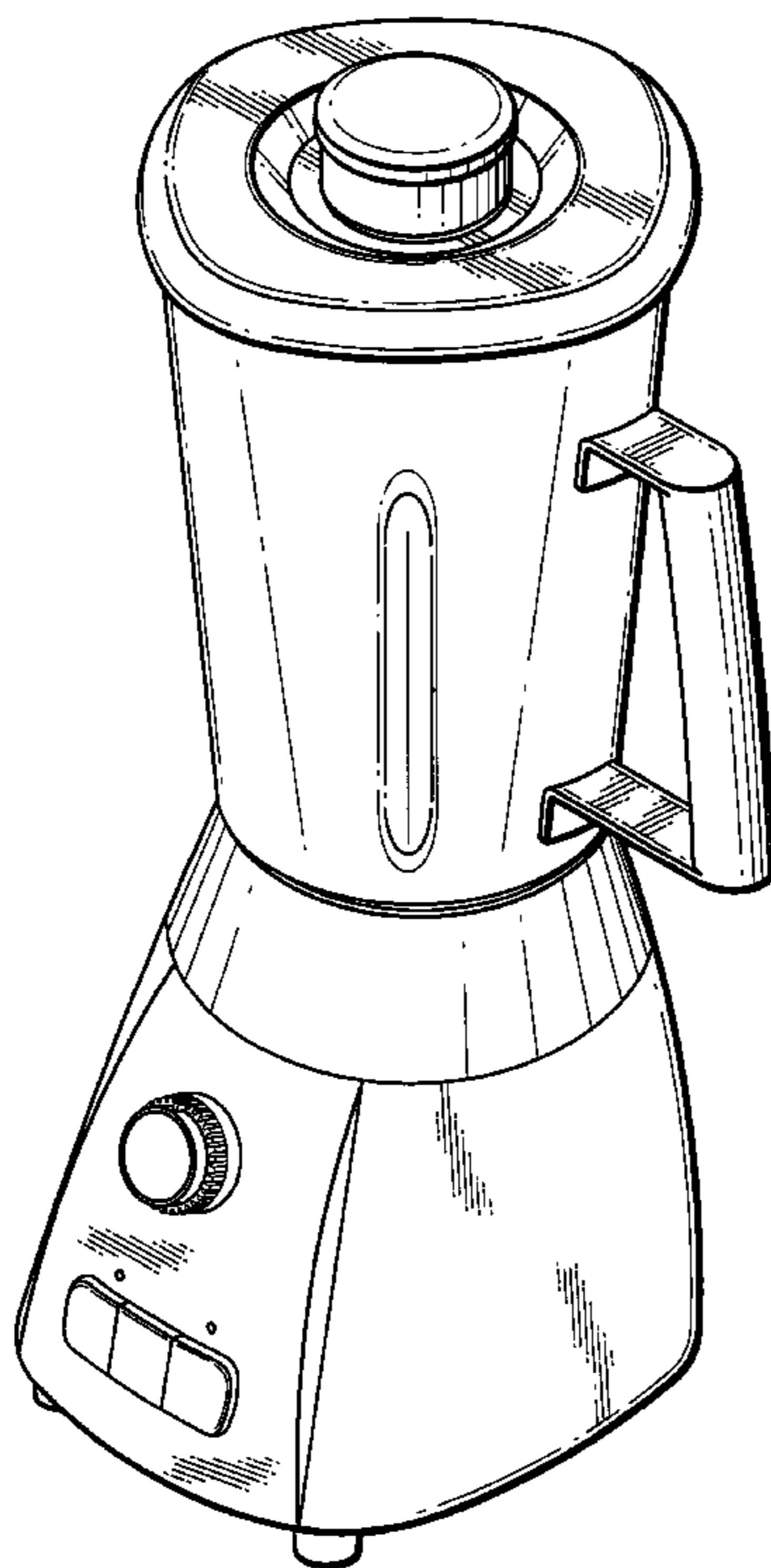
FIG. 4 is a rear view thereof;

FIG. 5 is a right side view thereof;

FIG. 6 is a top view thereof; and,

FIG. 7 is a bottom view.

1 Claim, 6 Drawing Sheets



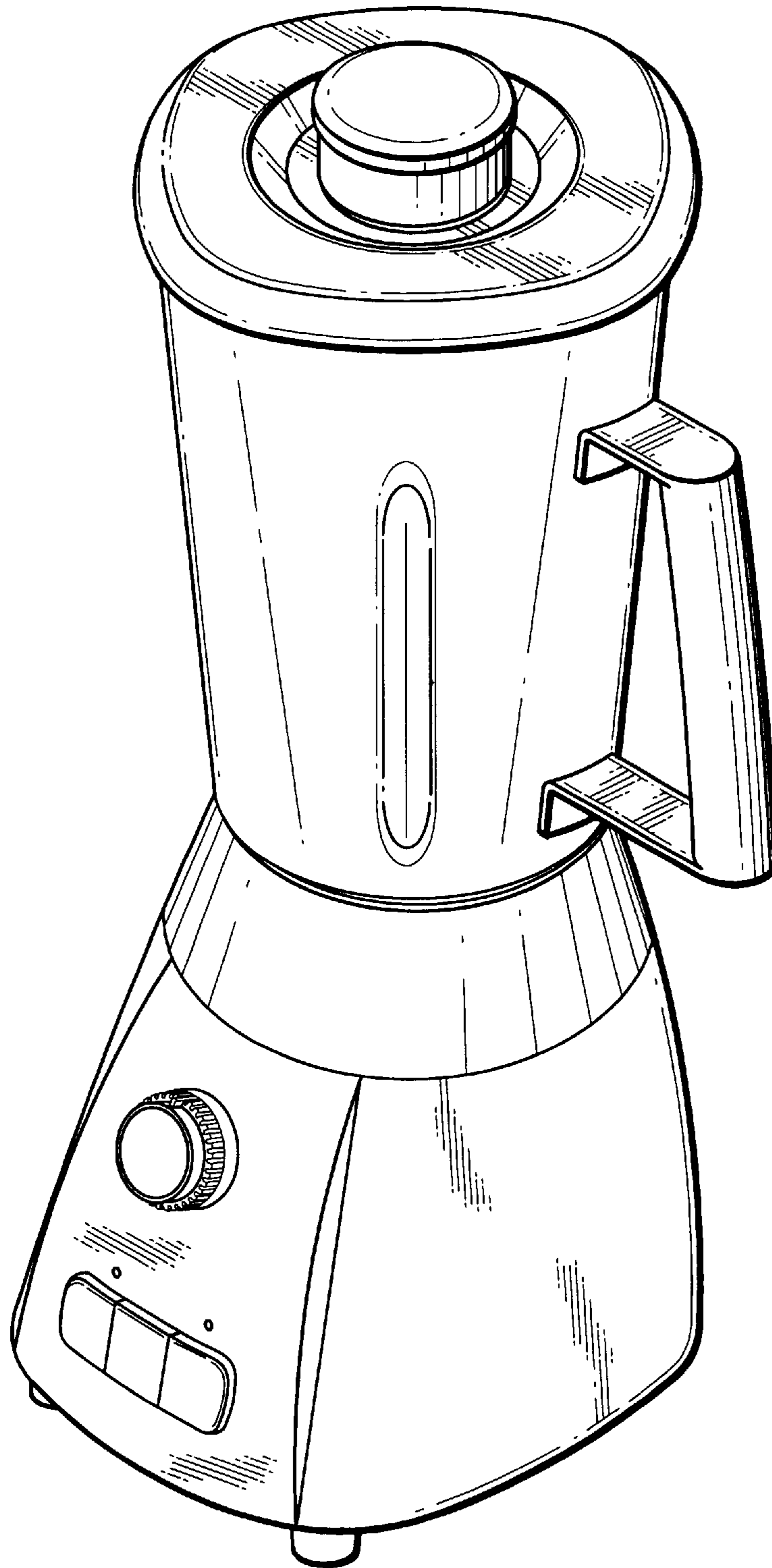


FIG. 1

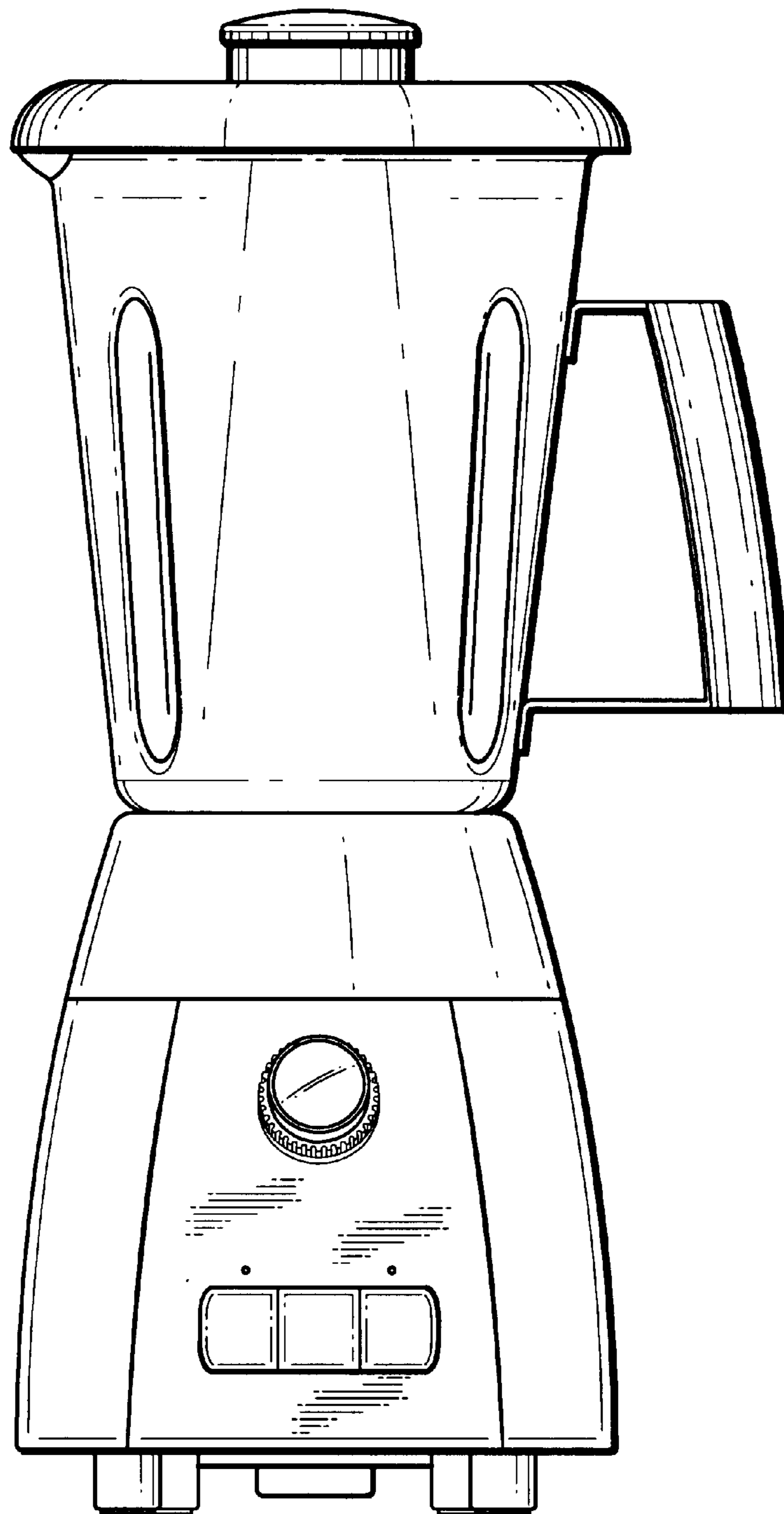


FIG. 2

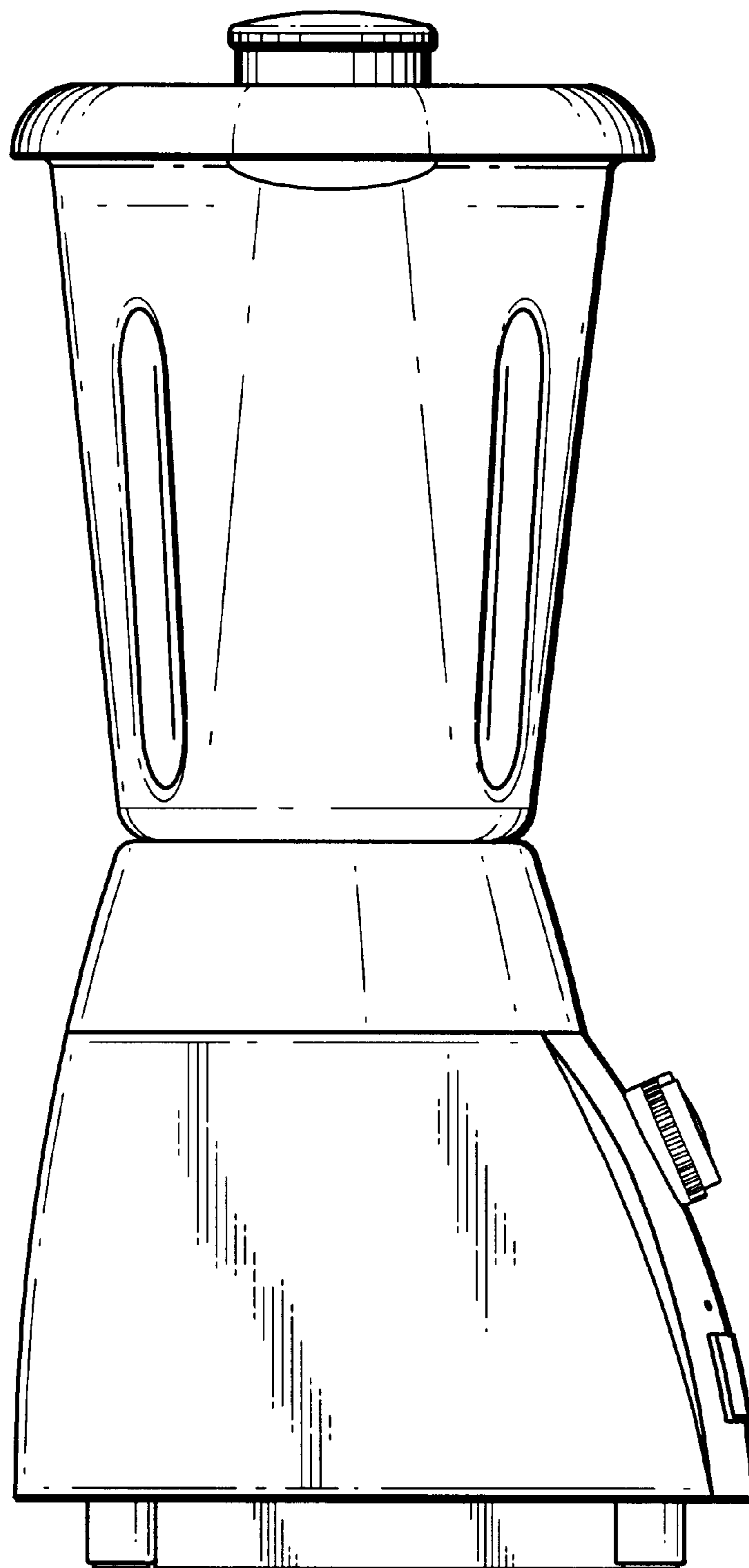


FIG. 3

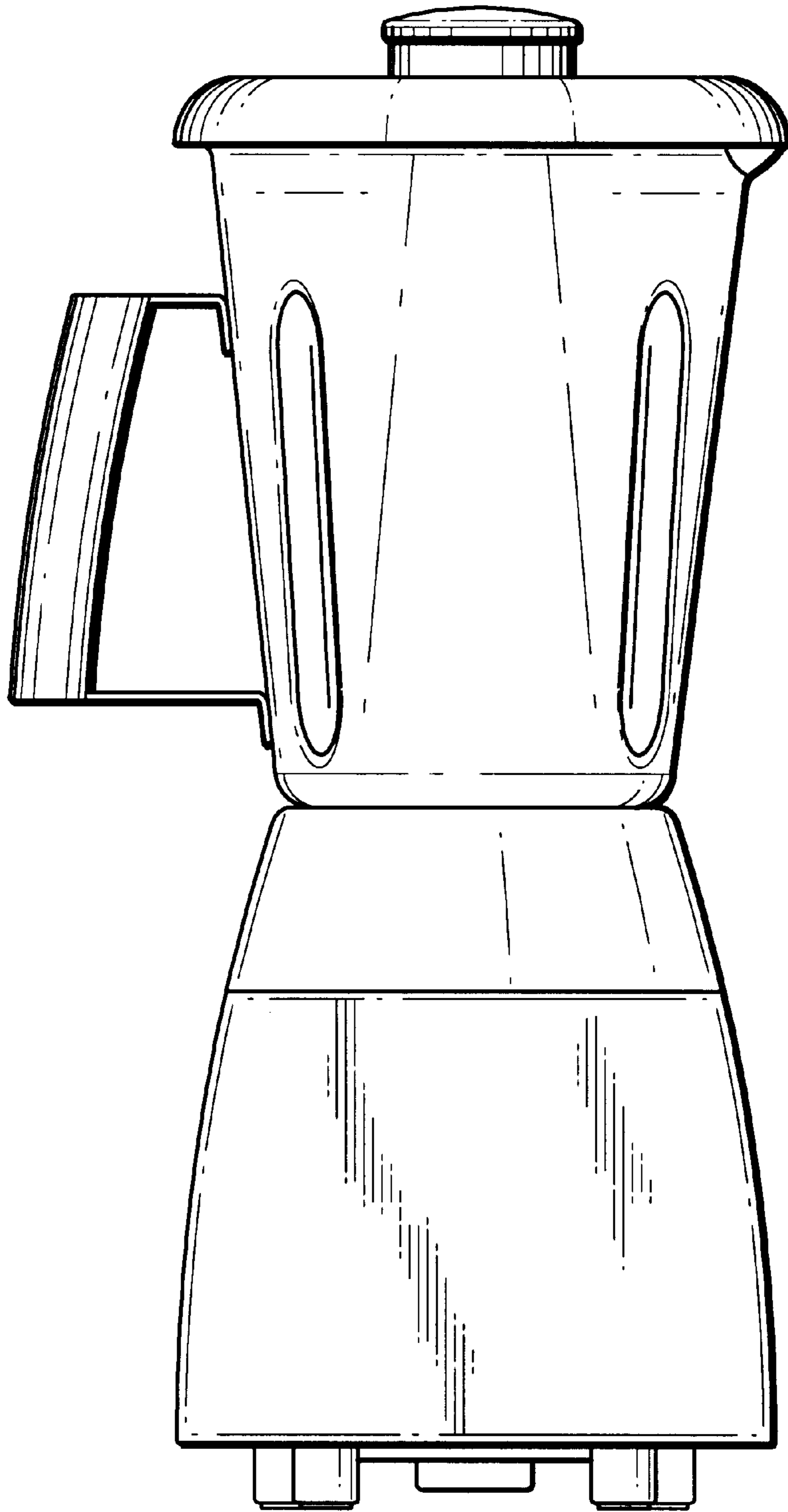


FIG. 4

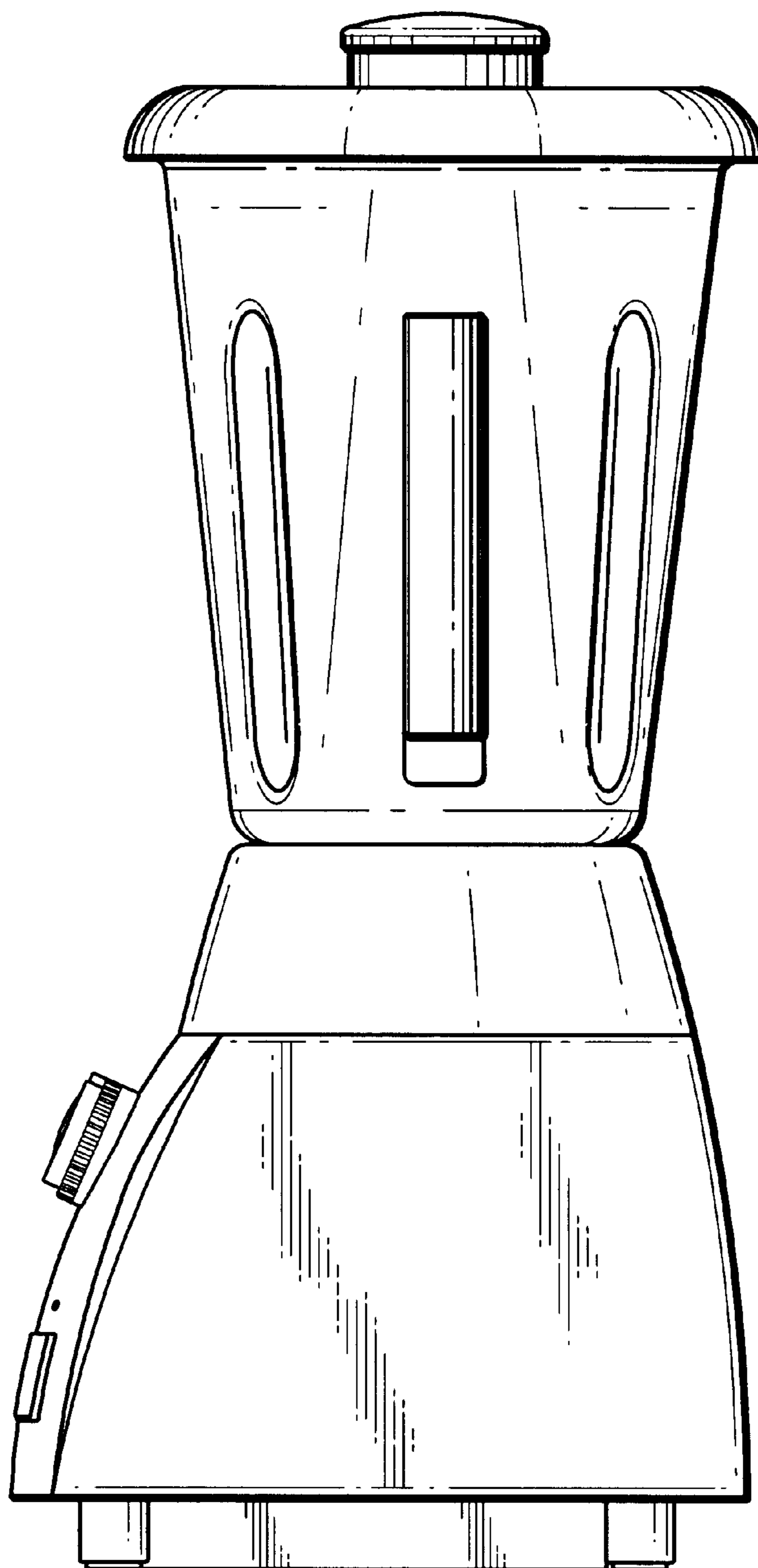


FIG. 5

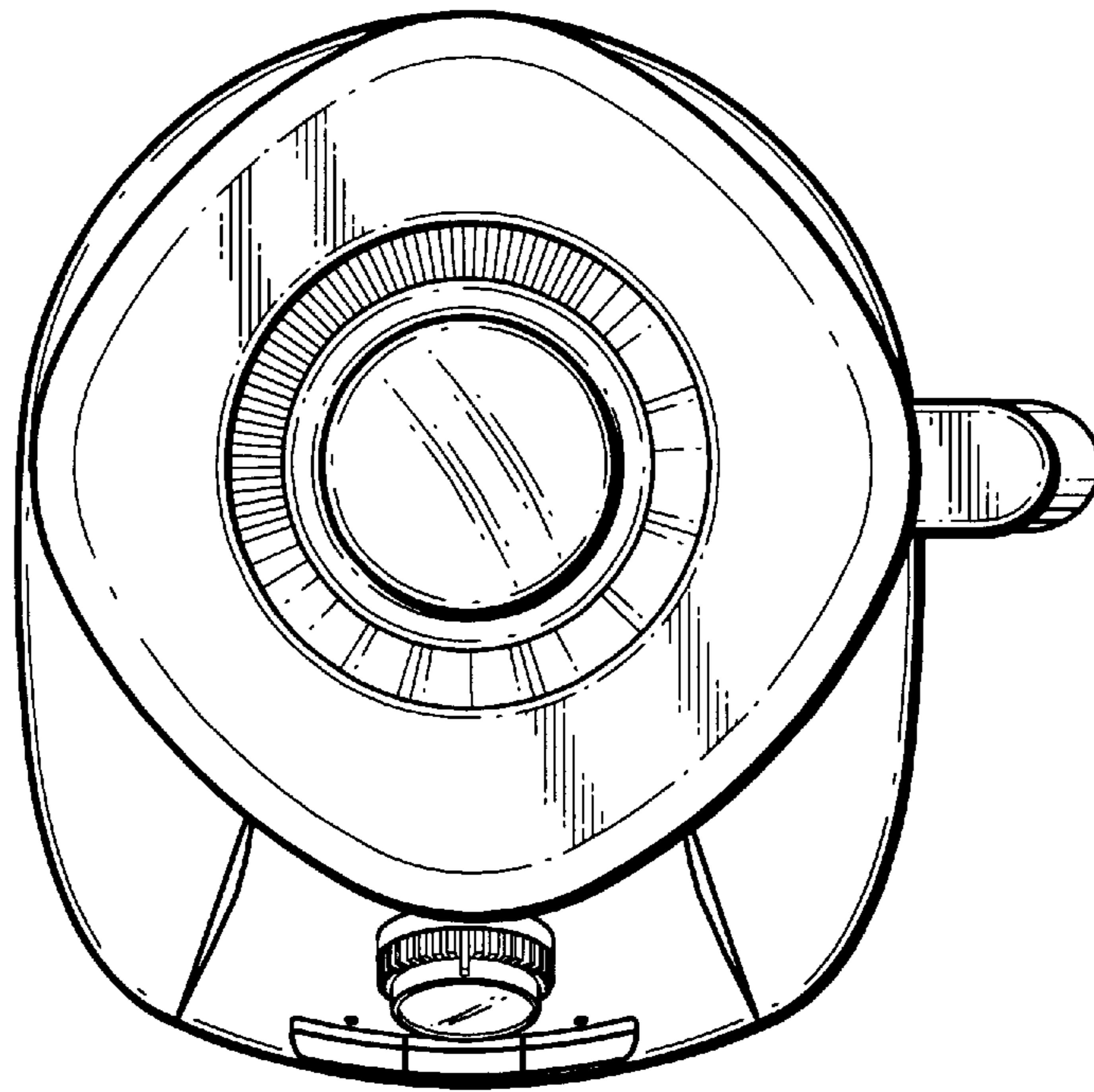


FIG. 6

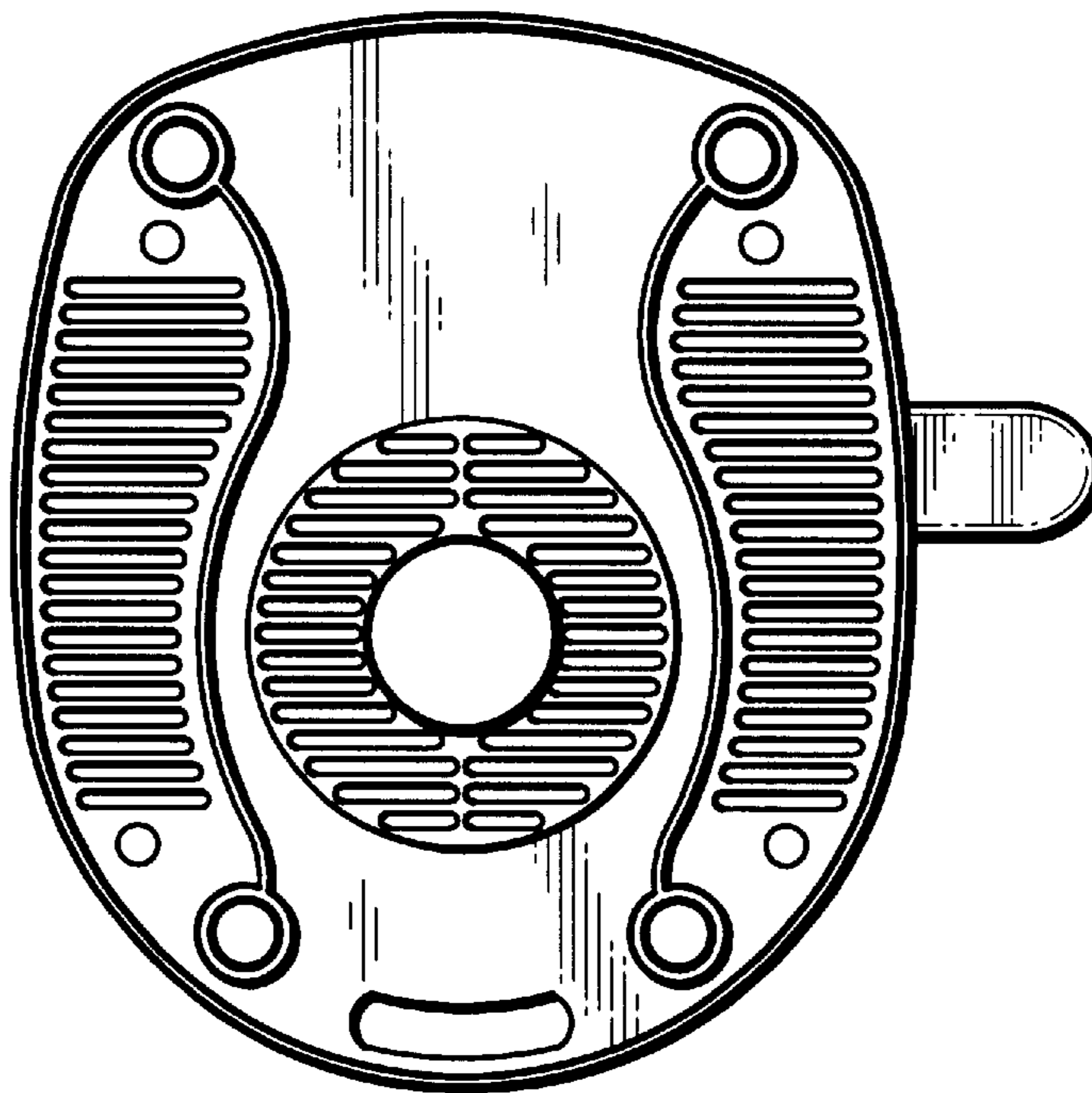


FIG. 7