



US00D533013S

(12) **United States Design Patent** (10) **Patent No.:** **US D533,013 S**
Bengtson et al. (45) **Date of Patent:** **** Dec. 5, 2006**

(54) **MICROWAVE OVEN**

(75) Inventors: **Alan D. Bengtson**, St. Joseph, MI (US); **Philip M. Thompson**, St. Joseph, MI (US)

(73) Assignee: **Whirlpool Corporation**, Benton Harbor, MI (US)

(**) Term: **14 Years**

(21) Appl. No.: **29/234,099**

(22) Filed: **Jul. 13, 2005**

(51) **LOC (8) Cl.** **07-02**

(52) **U.S. Cl.** **D7/351**

(58) **Field of Classification Search** D7/350.1, D7/350.3, 350.4, 351, 402, 405; 126/19 M, 126/273 E; 219/739-740, 756-758, 391
See application file for complete search history.

(56) **References Cited**

U.S. PATENT DOCUMENTS

D373,925 S	*	9/1996	Kim	D7/351
D393,179 S	*	4/1998	Baldwin	D7/405
D413,758 S	*	9/1999	Hessen et al.	D7/351
D510,229 S	*	10/2005	Bengtson et al.	D7/351
D521,800 S	*	5/2006	Wong et al.	D7/351
D521,805 S	*	5/2006	Hessen et al.	D7/405
D522,800 S	*	6/2006	Lee et al.	D7/351

* cited by examiner

Primary Examiner—Ruth McInroy

(74) *Attorney, Agent, or Firm*—Clifton G. Green; Robert O. Rice; John F. Colligan

(57) **CLAIM**

The ornamental design for a microwave oven, as shown and described.

DESCRIPTION

FIG. 1 is a front perspective view of a microwave oven showing our new design;

FIG. 2 is front elevational view thereof;

FIG. 3 is right side elevational view with the left side being a mirror image thereof;

FIG. 4 is a top plan view thereof;

FIG. 5 is a bottom plan view thereof;

FIG. 6 is a front perspective view of a second embodiment thereof;

FIG. 7 is a front elevational view thereof;

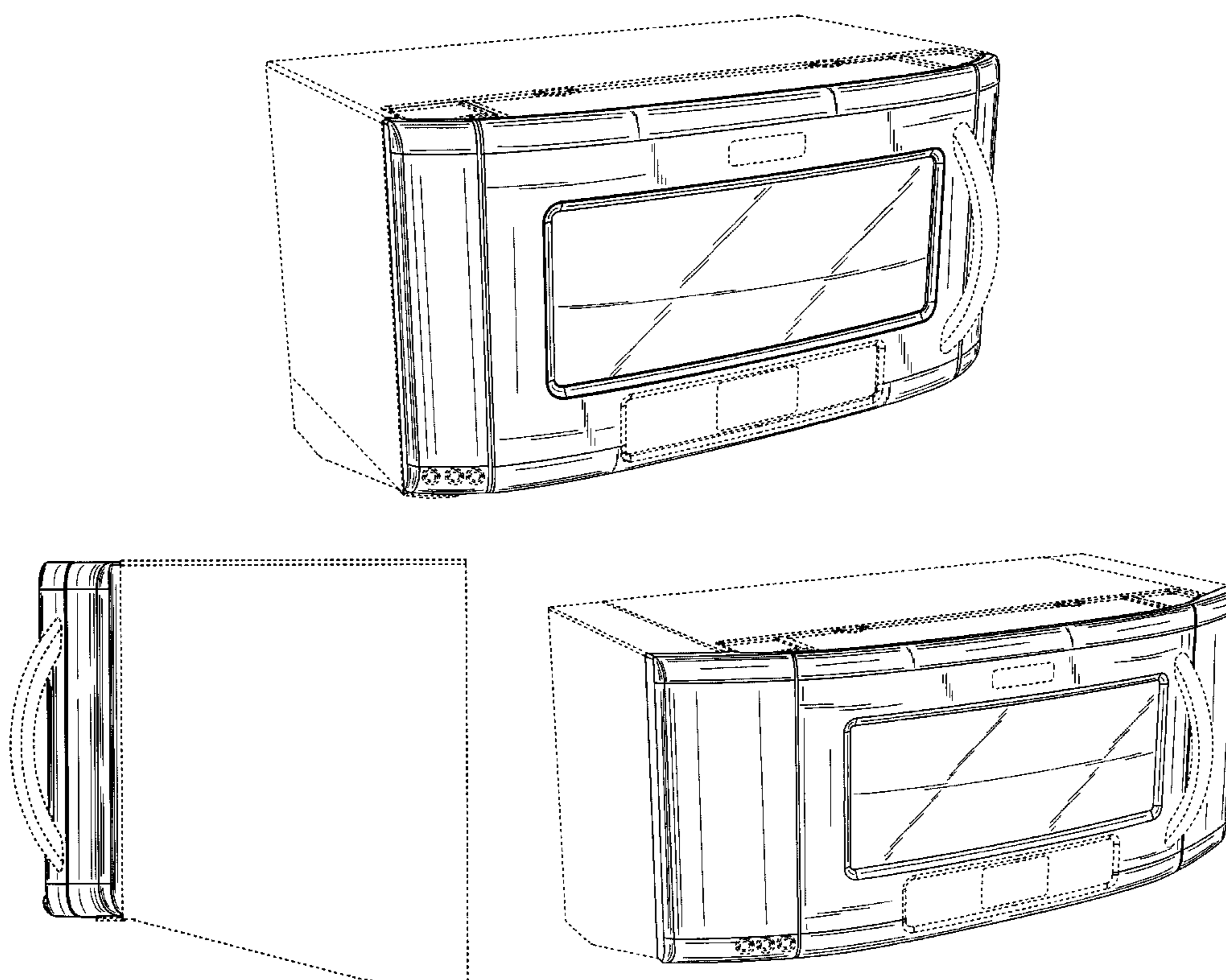
FIG. 8 is a right side elevational view with the left side being a mirror image thereof;

FIG. 9 is a top plan view thereof; and,

FIG. 10 is a bottom plan view thereof.

The portion shown in broken lines is for illustrative purposes only and does not form any part of the invention.

1 Claim, 10 Drawing Sheets



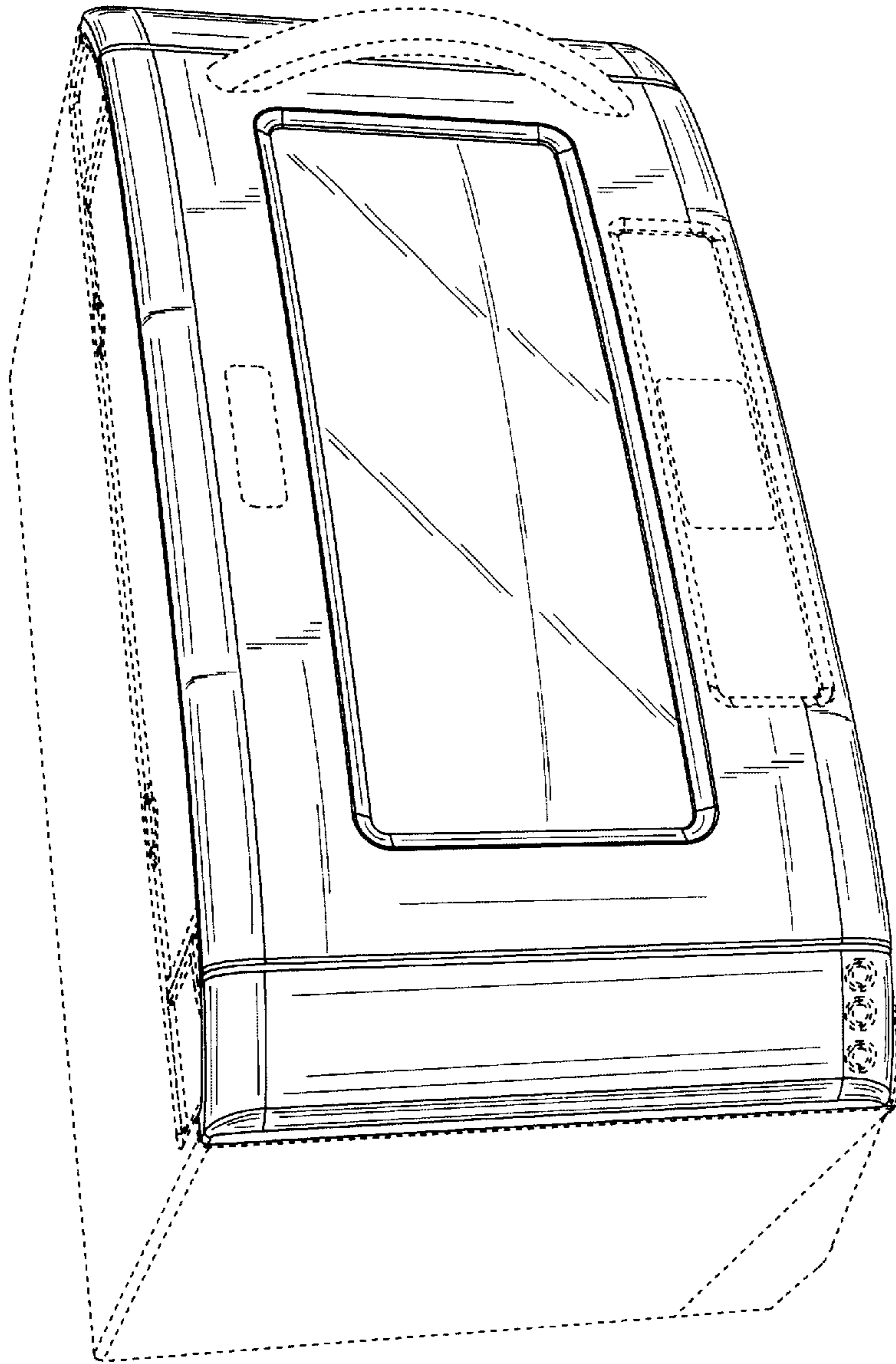


Fig. 1

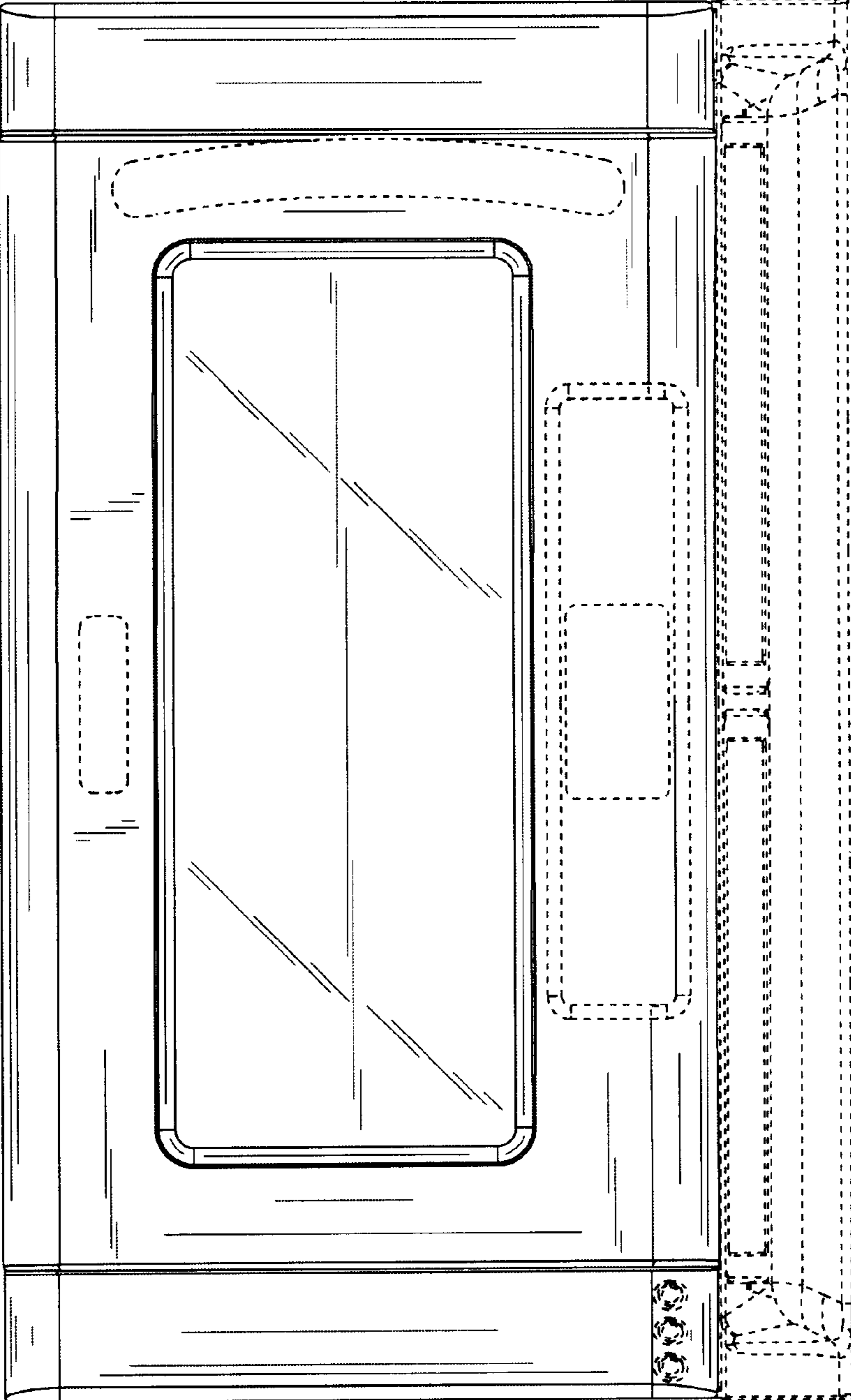


Fig. 2

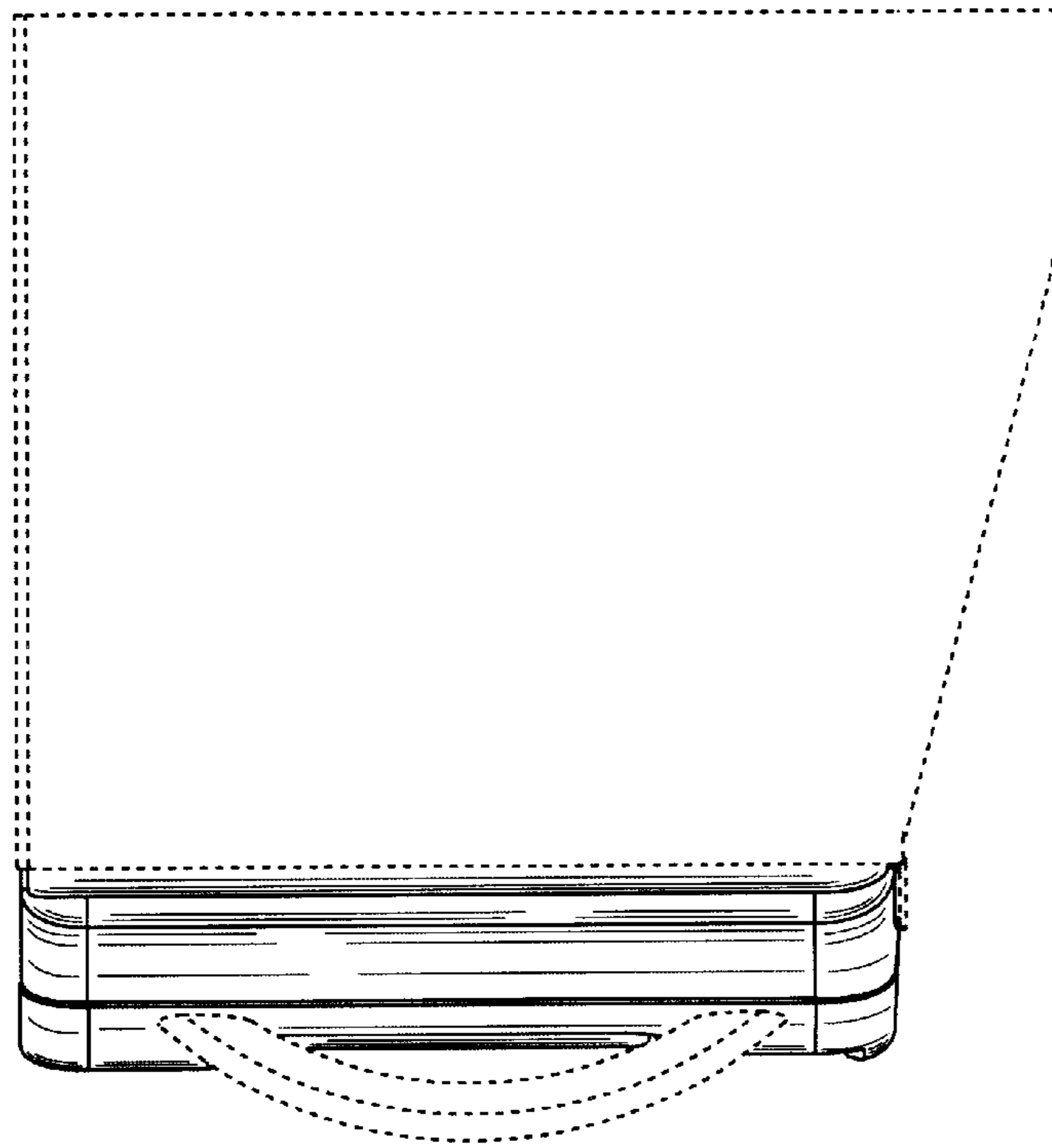


Fig. 3

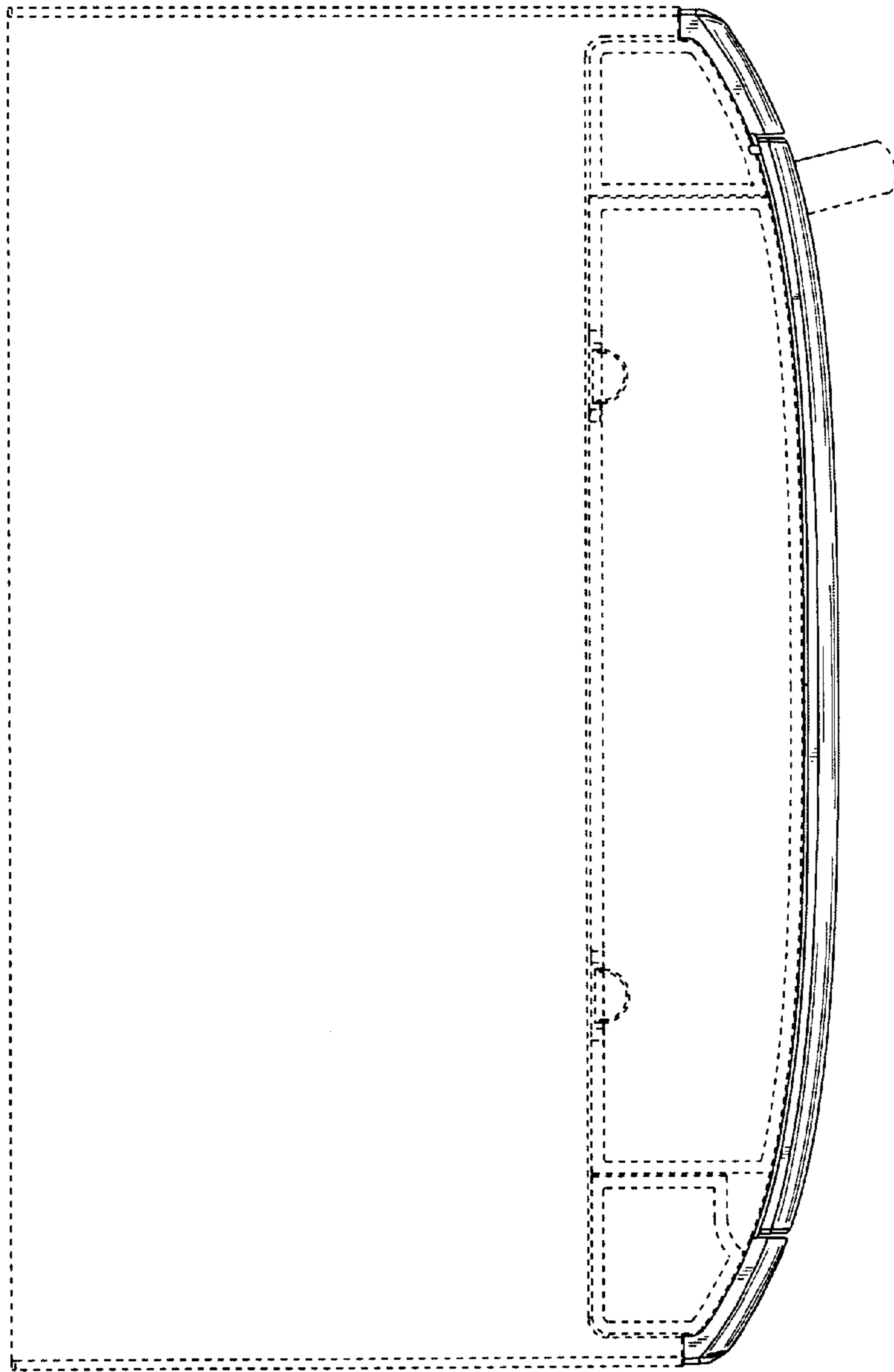


Fig. 4

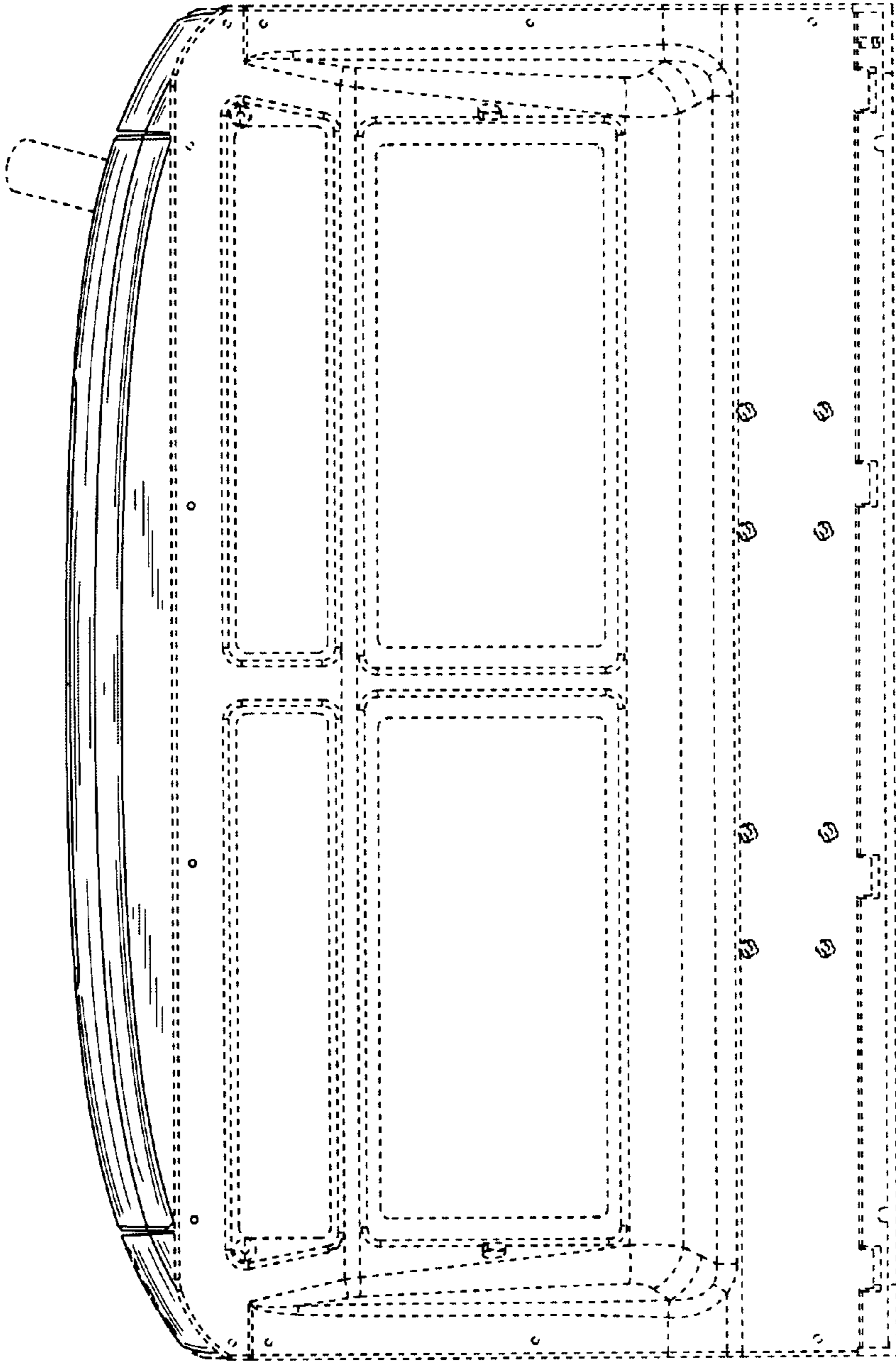


Fig. 5

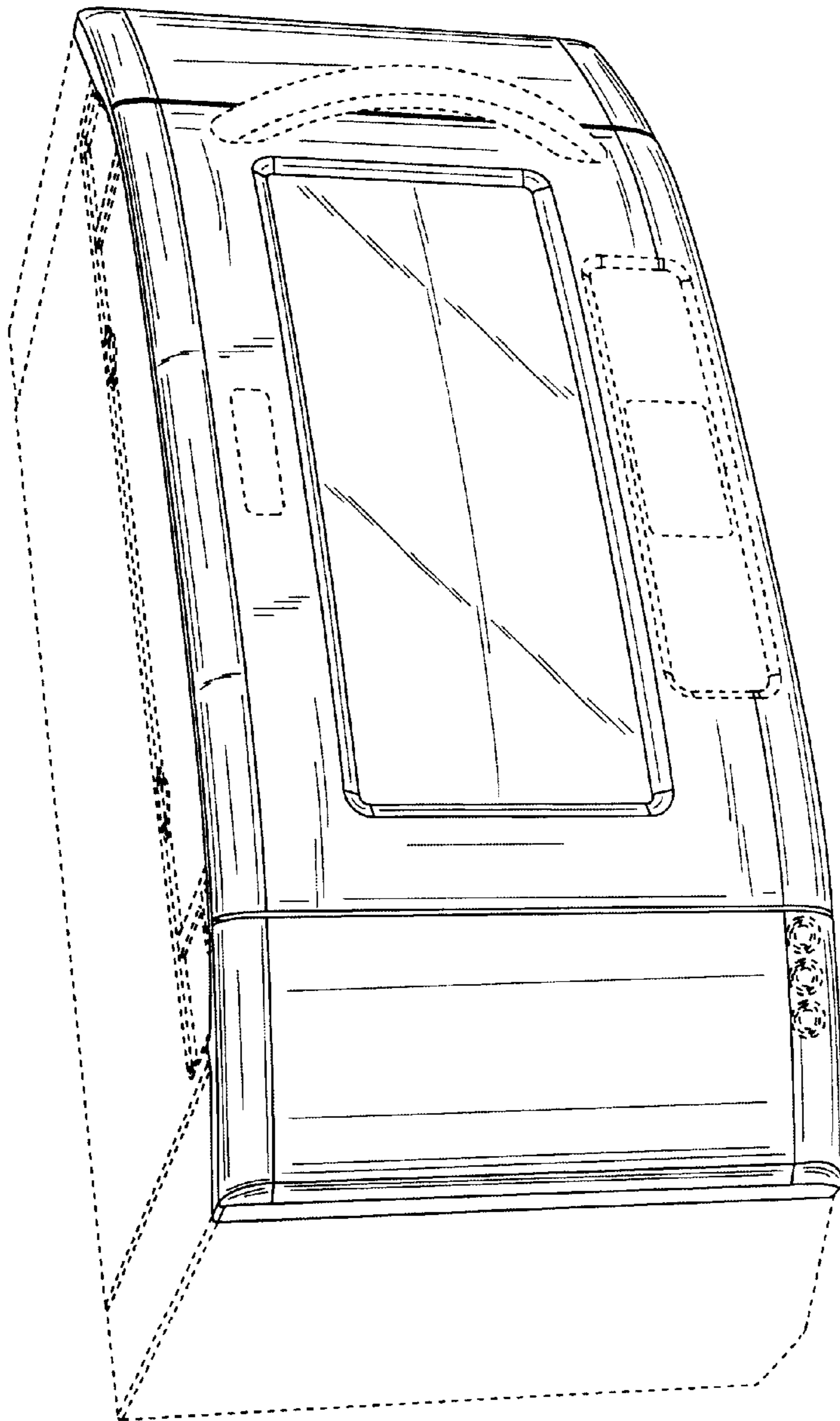


Fig. 6

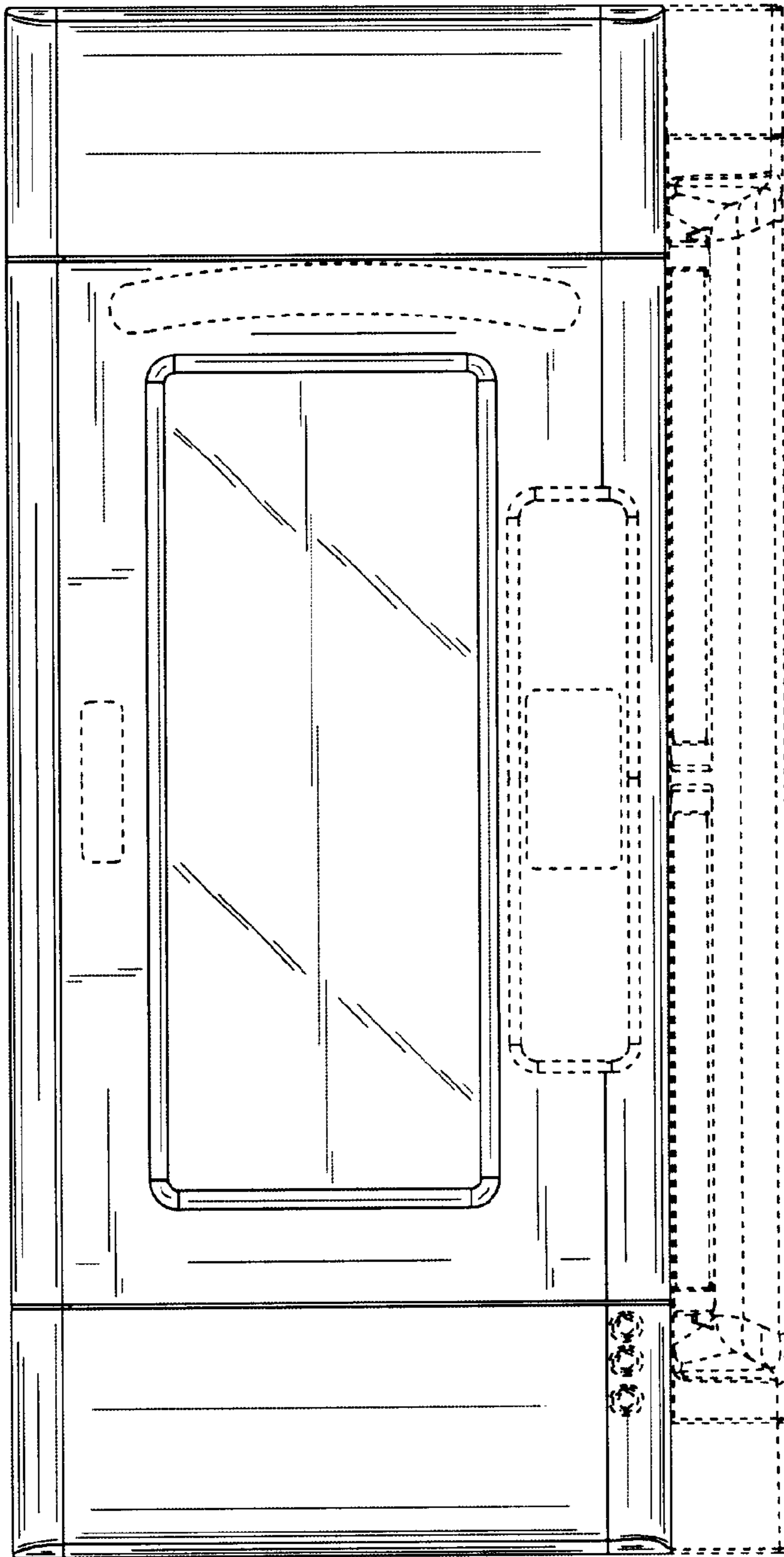


Fig. 7

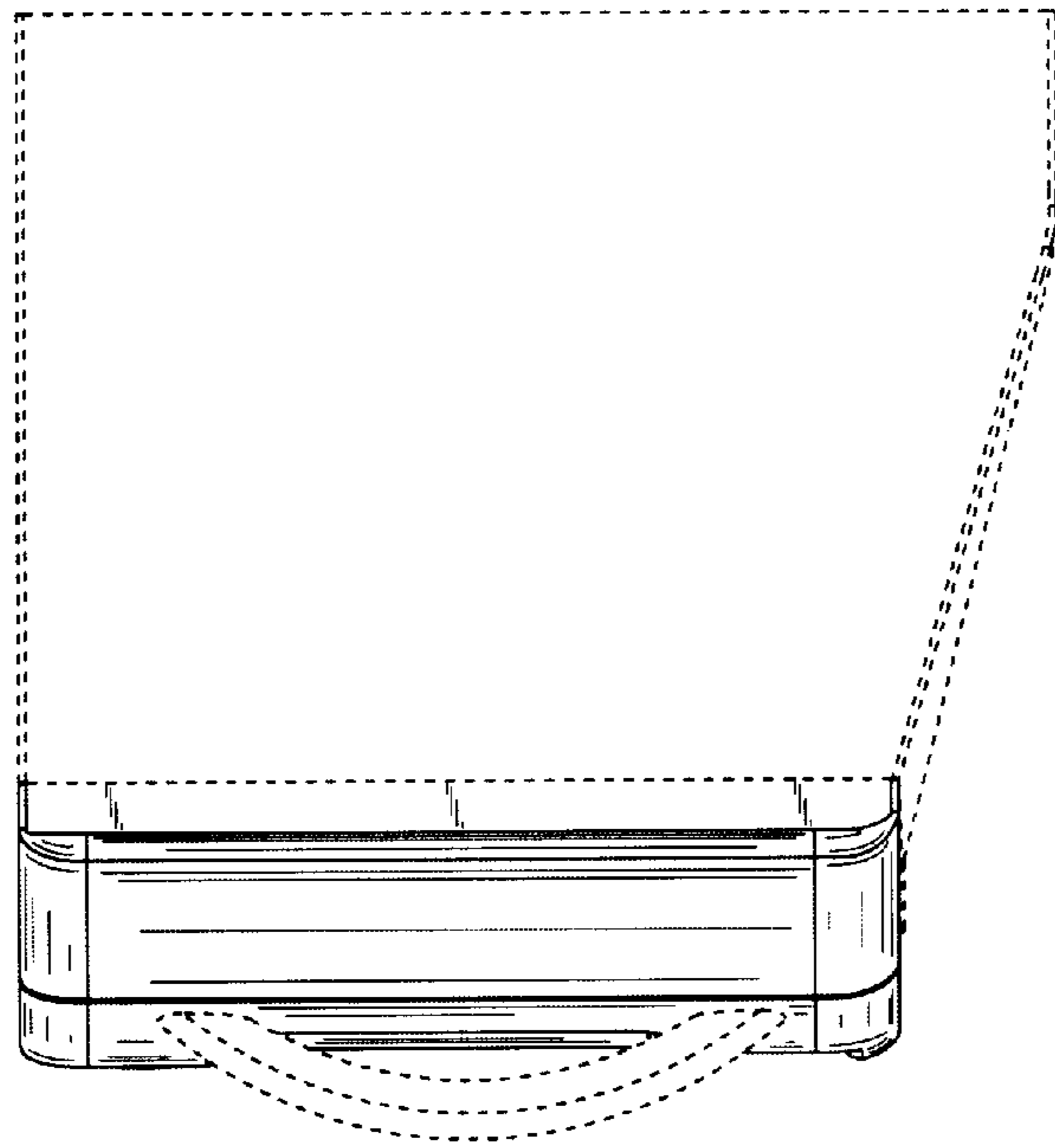


Fig. 8

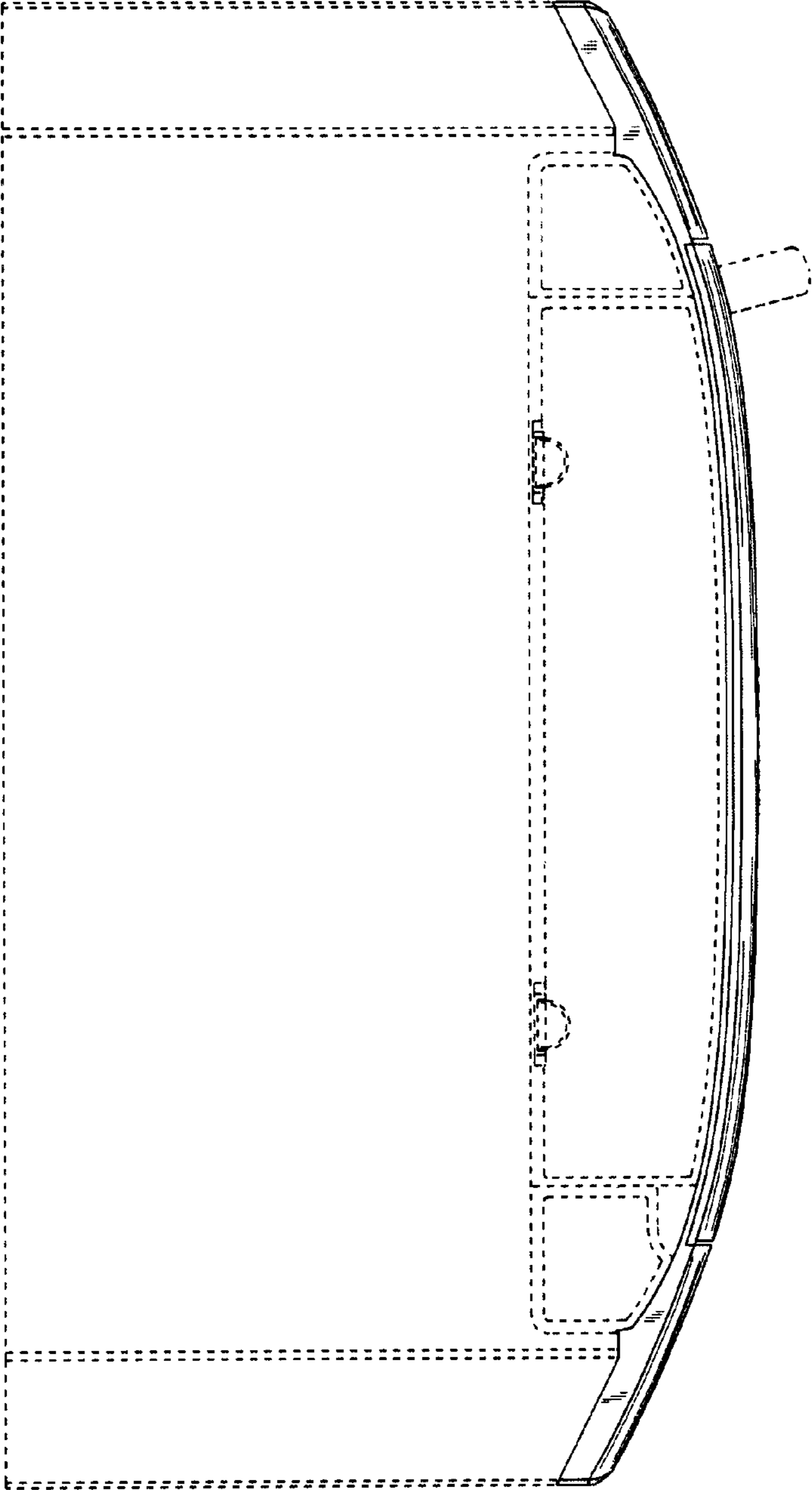


Fig. 9

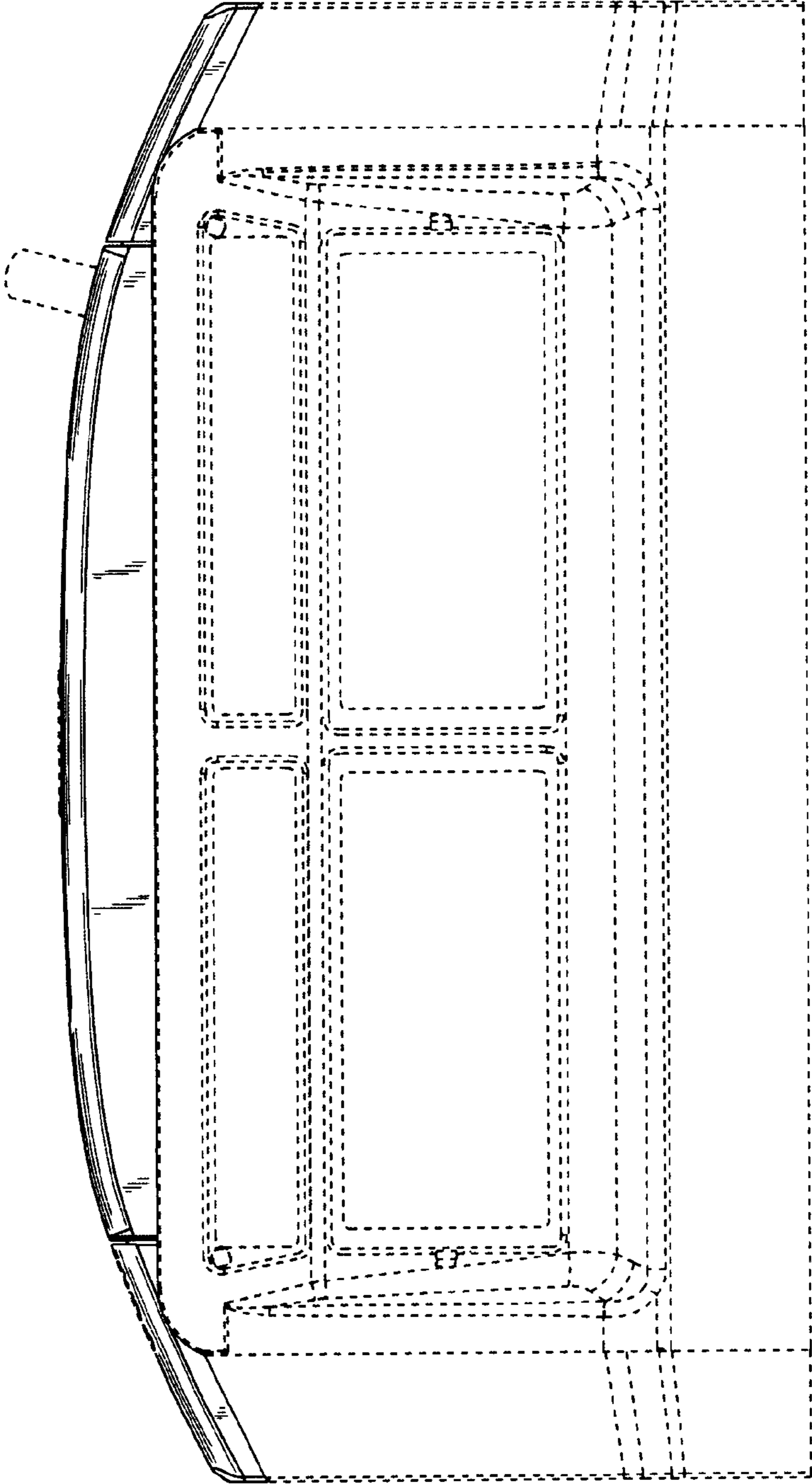


Fig. 10