



US00D533008S

(12) **United States Design Patent**  
**Macri et al.**

(10) **Patent No.: US D533,008 S**  
(45) **Date of Patent: \*\* Dec. 5, 2006**

- (54) **PORTABLE BARBECUE GRILL**
- (75) Inventors: **Gregory G Macri**, Elkhart, IN (US);  
**Darren L Eby**, Bristol, IN (US)
- (73) Assignee: **ASC Industries, Inc.**, Elkhart, IN (US)
- (\*\*) Term: **14 Years**
- (21) Appl. No.: **29/212,191**
- (22) Filed: **Aug. 27, 2004**
- (51) **LOC (8) Cl. .... 07-02**
- (52) **U.S. Cl. .... D7/332**
- (58) **Field of Classification Search** ..... D7/332-337,  
D7/362-367, 402; 126/25 R, 25 A, 25 AA,  
126/40, 41 R, 37 R, 38-39 R, 50, 56, 276,  
126/304 R, 305, 9 R, 19 M; 99/450; 219/451.1,  
219/452.11, 455.11, 385, 520, 450.1; 296/22  
See application file for complete search history.

(56) **References Cited**

**U.S. PATENT DOCUMENTS**

759,435 A	5/1904	Greeley	
2,666,425 A	1/1954	Hastings, Jr. ....	126/25
2,912,972 A	11/1959	Leyen .....	126/25

(Continued)

**FOREIGN PATENT DOCUMENTS**

GB	199584	6/1923
GB	226979	1/1925

**OTHER PUBLICATIONS**

- Trademark Electronic Search System printout for mark CAR-B-Q; Registration No. 2,775,590, registered Oct. 21, 2003, undated.
- Photos of ASC Industries Portable Gas Grill, undated.
- Web page (vitco.com) printout of portable grill, undated.
- Web page (myrvq.com) printout of portable grill, undated.
- Web page (myrvq.com) printout of portable grill, undated.
- Kingsford portable grill, undated.
- Weber "Gas Go-Anywhere" portable grill.

- Weber "Charcoal Go-Anywhere" portable grill, undated.
- Picture of a portable grill, undated.
- Web page (supergrills.com) printout of deluxe portable gas grill, undated.
- Web page (supergrills.com) printout of deluxe portable grills, undated.
- Web page (supergrills.com) printout of "Artic Treasure Chest Portable Gas Grill", undated.
- Web page (cajun-outdoor-cooking.com) printout of "Artic Square Suitcase Deluxe Portable Charcoal Grill", undated.
- Web page (cajun-outdoor-cooking.com) printout of "Artic Portable Table Top Porcelain Gas Grill", undated.

(Continued)

*Primary Examiner*—Ruth McInroy  
(74) *Attorney, Agent, or Firm*—Van Dyke, Gardner, Linn & Burkhardt, LLP

(57) **CLAIM**

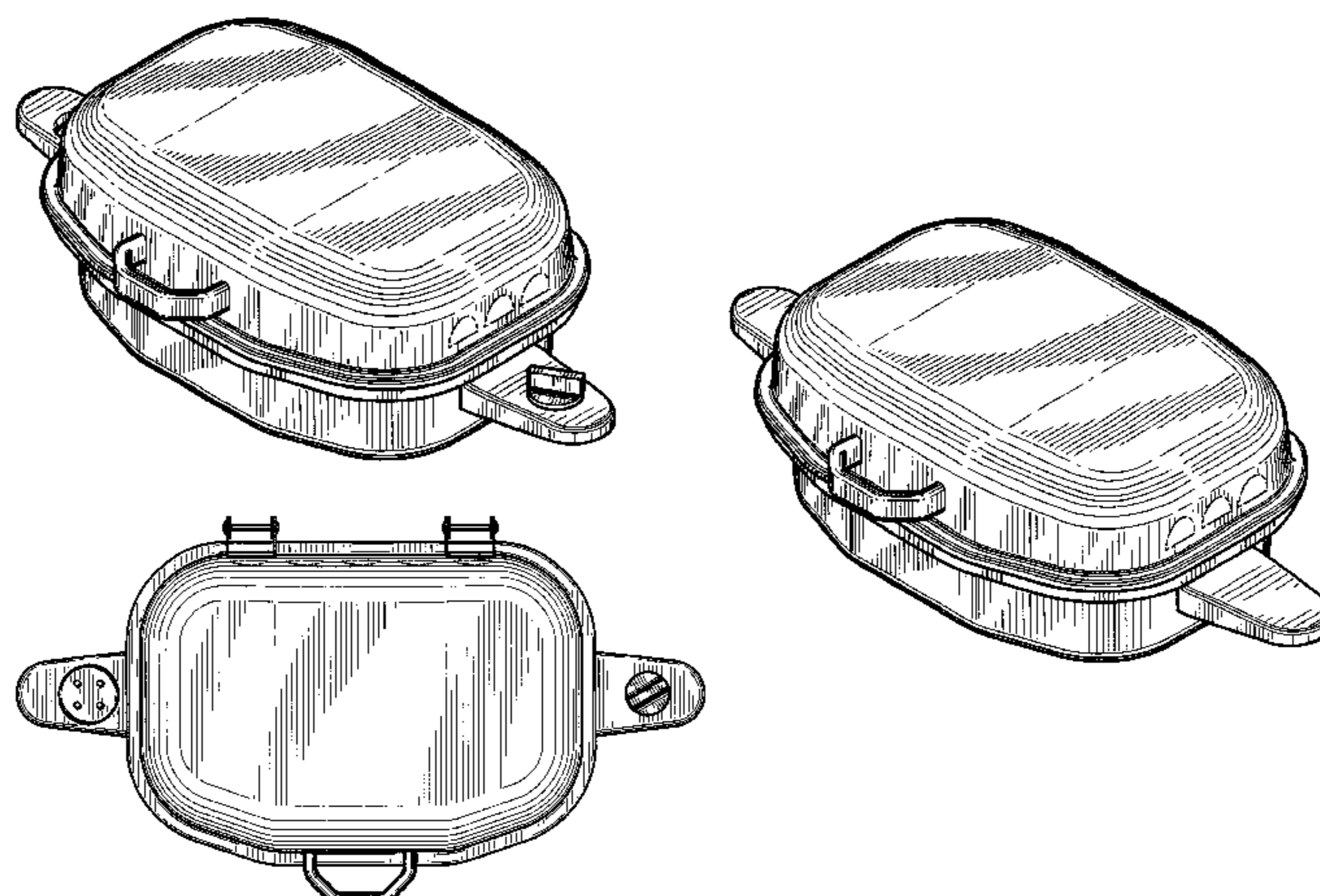
The ornamental design for a portable barbecue grill, as shown and described.

**DESCRIPTION**

FIG. 1 is a front perspective view of a portable barbecue grill showing our new design;  
 FIG. 2 is a front elevation view of FIG. 1;  
 FIG. 3 is a top plan view of FIG. 1;  
 FIG. 4 is a right side elevation view of FIG. 1;  
 FIG. 5 is a back elevation view of FIG. 1;  
 FIG. 6 is a left side elevation view of FIG. 1;  
 FIG. 7 is a bottom plan view of FIG. 1;  
 FIG. 8 is a front perspective view of a second embodiment thereof;  
 FIG. 9 is a front elevation view of FIG. 8;  
 FIG. 10 is a top plan view of FIG. 8;  
 FIG. 11 is a right side elevation view of FIG. 8;  
 FIG. 12 is a back elevation view of FIG. 8;  
 FIG. 13 is a left side elevation view of FIG. 8; and,  
 FIG. 14 is a bottom plan view of FIG. 8.

The vents and hinged legs shown in broken lines form no part of the claimed design.

**1 Claim, 6 Drawing Sheets**



U.S. PATENT DOCUMENTS

2,922,414	A	1/1960	Brender	126/9
3,032,783	A	5/1962	Swanson, Jr.	9/1
3,060,920	A	10/1962	Dibert	126/276
3,266,478	A	8/1966	Booth	126/25
3,285,239	A	11/1966	Drake	126/25
3,306,280	A	2/1967	Vannoy	126/25
3,452,736	A	7/1969	Harff et al.	126/25
3,503,324	A	3/1970	Gmeiner	99/393
3,536,060	A	10/1970	Block et al.	126/307
3,605,718	A	9/1971	Winters	126/25
3,692,351	A	9/1972	Christopher et al.	296/23 R
3,753,431	A	8/1973	Koziol	126/38
3,806,987	A	4/1974	Koziol	16/191
3,843,082	A	10/1974	Garrett	248/226 E
4,089,554	A	5/1978	Myers	296/24 A
4,143,902	A	3/1979	Johnstone	296/167
4,325,294	A	4/1982	Hammond	99/337
4,347,830	A	9/1982	Runyan	126/9 R
4,518,189	A	5/1985	Belt	296/22
D282,619	S	2/1986	Fitzgerald et al.	D7/332
4,592,335	A	6/1986	Beller	126/25 A
4,729,535	A	3/1988	Frazier et al.	248/230
D302,641	S	8/1989	Elmburg	D7/332
4,893,609	A	1/1990	Giordani et al.	126/350 R
5,029,935	A	7/1991	Dufrancatel	296/156
5,033,448	A	7/1991	Sandweg	126/25 R
5,165,384	A	11/1992	Knutson	126/25 C
5,178,126	A	1/1993	Beller	126/25 A
5,188,089	A	2/1993	Hamilton	126/30
5,263,467	A	11/1993	Jones	126/42
5,310,147	A	5/1994	Billman	248/214
5,394,590	A	3/1995	Yu	16/357
5,411,011	A	5/1995	Teta	126/50
5,472,164	A	12/1995	Contee, Jr.	248/214
5,499,573	A	3/1996	Lin	99/337
5,586,546	A	12/1996	Ashcraft et al.	126/42
5,626,126	A	5/1997	McNulty	126/276
5,640,949	A	6/1997	Smith	126/276
5,878,739	A	3/1999	Guidry	126/25 R
5,950,617	A	9/1999	Lorenz	126/276
D415,649	S	10/1999	Pai	D7/337
5,967,134	A	10/1999	Harris	126/41 R
D415,925	S	11/1999	Pai	D7/337
D420,244	S	2/2000	Pai	D7/332
6,035,800	A	3/2000	Clifford	114/347
6,125,838	A	10/2000	Hedgpeth	126/41 R
D436,284	S	1/2001	Mak	D7/332
6,263,867	B1	7/2001	Skelton	126/37 B
D446,678	S	8/2001	Pai	D7/337
6,354,286	B1	3/2002	Davis	126/276
6,357,344	B1	3/2002	O'Grady et al.	99/340
D455,598	S *	4/2002	Pai	D7/337
D461,360	S	8/2002	Bossler	D7/337
D464,843	S *	10/2002	Schulte et al.	D7/337
D464,844	S *	10/2002	Pai	D7/337
D468,151	S *	1/2003	Yeh et al.	D7/337
D473,415	S *	4/2003	Yeh	D7/337
6,637,426	B1	10/2003	Champlin	126/41 R

D498,113	S *	11/2004	Zhang	D7/332
D503,868	S *	4/2005	Pai	D7/337
D504,275	S *	4/2005	Pai	D7/337
D504,795	S *	5/2005	Schulte et al.	D7/337
2001/0045245	A1	11/2001	Robin	126/276
2003/0024523	A1	2/2003	Ching-Hui	126/25 R

OTHER PUBLICATIONS

Web page (apatiooulet.com) printout of "Deluxe Portable BBQ Grill", undated.  
 Picture of a Thermos brand portable grill, undated.  
 Web page (apatiooulet.com) printout of "Porta-Chef LP Grill", undated.  
 Web page (outdoor-recreation.aubuchonhardware.com) printout of "Portable Gas Table Top Grill", undated.  
 Web page (bbqpeople.com) printout of portable "Charcoal Grill" and portable "Propane Grill", undated.  
 Web page (flamingbarbecues.co.uk) printout of "Outback Gas Weekender", undated.  
 Web page (flamingbarbecues.co.uk) printout of "Lifestyle Table Top Barbeque", undated.  
 Web page (grill4all.com) printout of "Grill-4-All System", undated.  
 Web page (grill4all.com) printout of "Stainless Steel Portable Propane Grill", undated.  
 Web page (rvlifestyles.net) printout of "BBQ Grill/Smk. Plate", undated.  
 Frontgate Catalogue (2003), "Portable Stainless Steel Grill".  
 Lillian Vernon Favorites Catalogue, "George Foreman Portable Gas Grill", undated.  
 Web page (lillianvernon.com) printout of "George Foreman Portable Gas Grill".  
 Bart's Watersports Catalog, "Sports Extreme BBQ/Stove Oven" and "Sports Supreme Grill/Oven", undated.  
 Web page (bartswatersports.com) printout of "Sport Supreme Propane Barbeque Grill/Oven", undated.  
 Web page (sportbbq.com) printout of "Party Size Sport Supreme Deluxe Propane BBQ Grill and Oven", undated.  
 Web page (sportbbq.com) printout of accessories for Sport Barbeques, undated.  
 Web page (rvpartstore.com) printout of "Portable Gas Barbeque Grill", undated.  
 Photos of RVQ Portable Gas Grill, undated.  
 Photos of Thermos Portable Gas Grill, undated.  
 Photos of Grand Gourmet Portable Gas Grill, undated.  
 Photos of Uniflame Portable Gas Grill, undated.  
 Photos of BBQ Pro Portable Gas Grill, undated.  
 Photos of Weber Portable Gas Grill, undated.  
 Photos of Olympian 4100 Portable Gas Grill, undated.  
 Photos of Freedom Deluxe Gas BBQ Grill, undated.  
 Photos of Grill4All Portable Gas Grill, undated.  
 Printouts of Thumbnails of Portable Gas Grills, undated.

\* cited by examiner

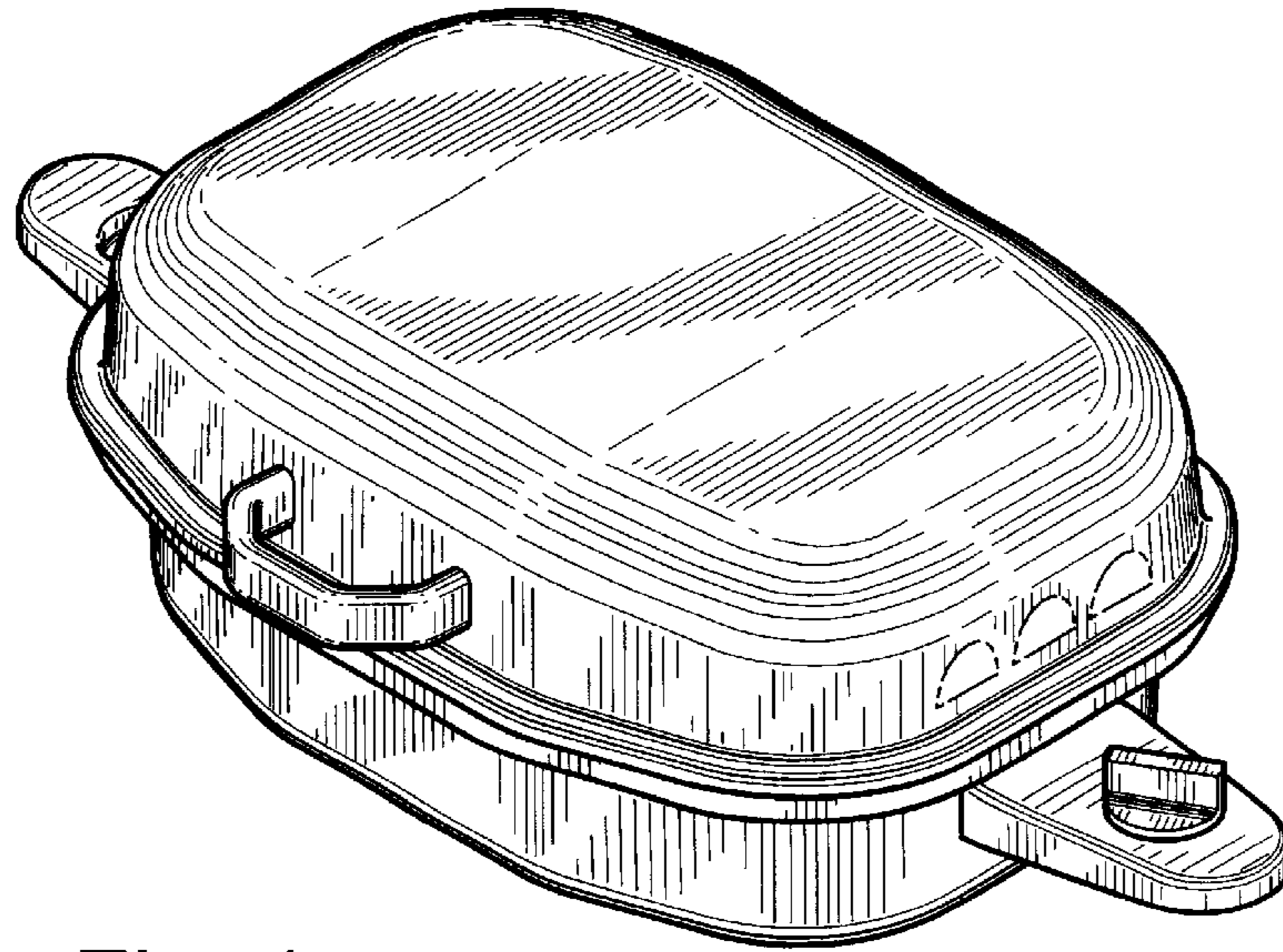


Fig. 1

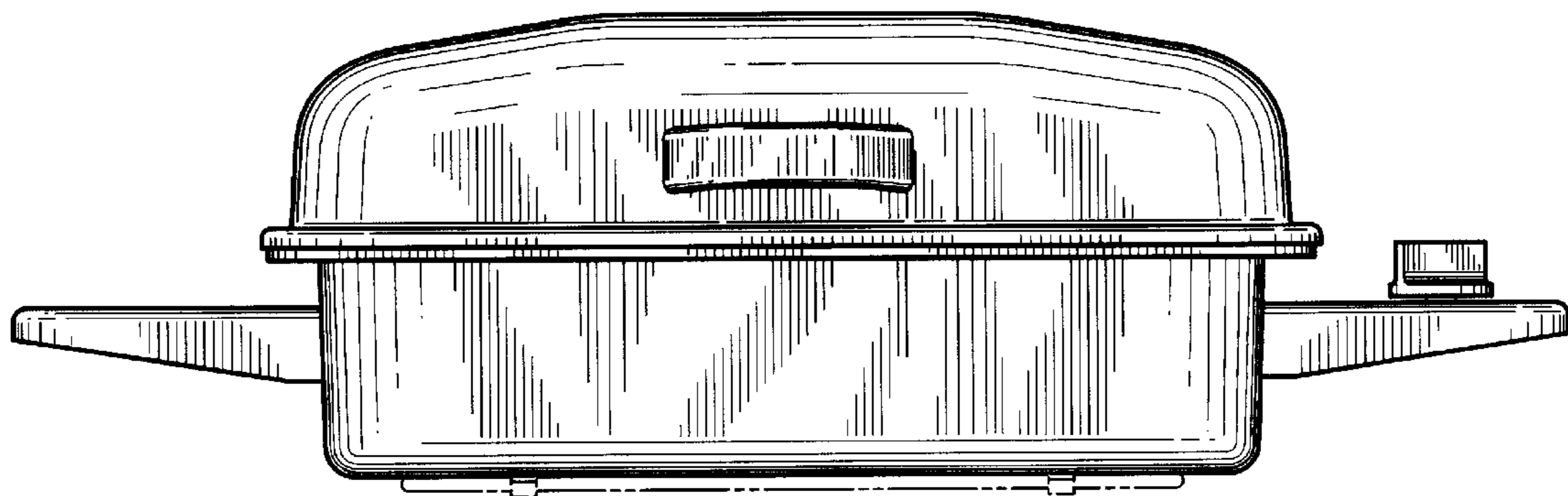


Fig. 2

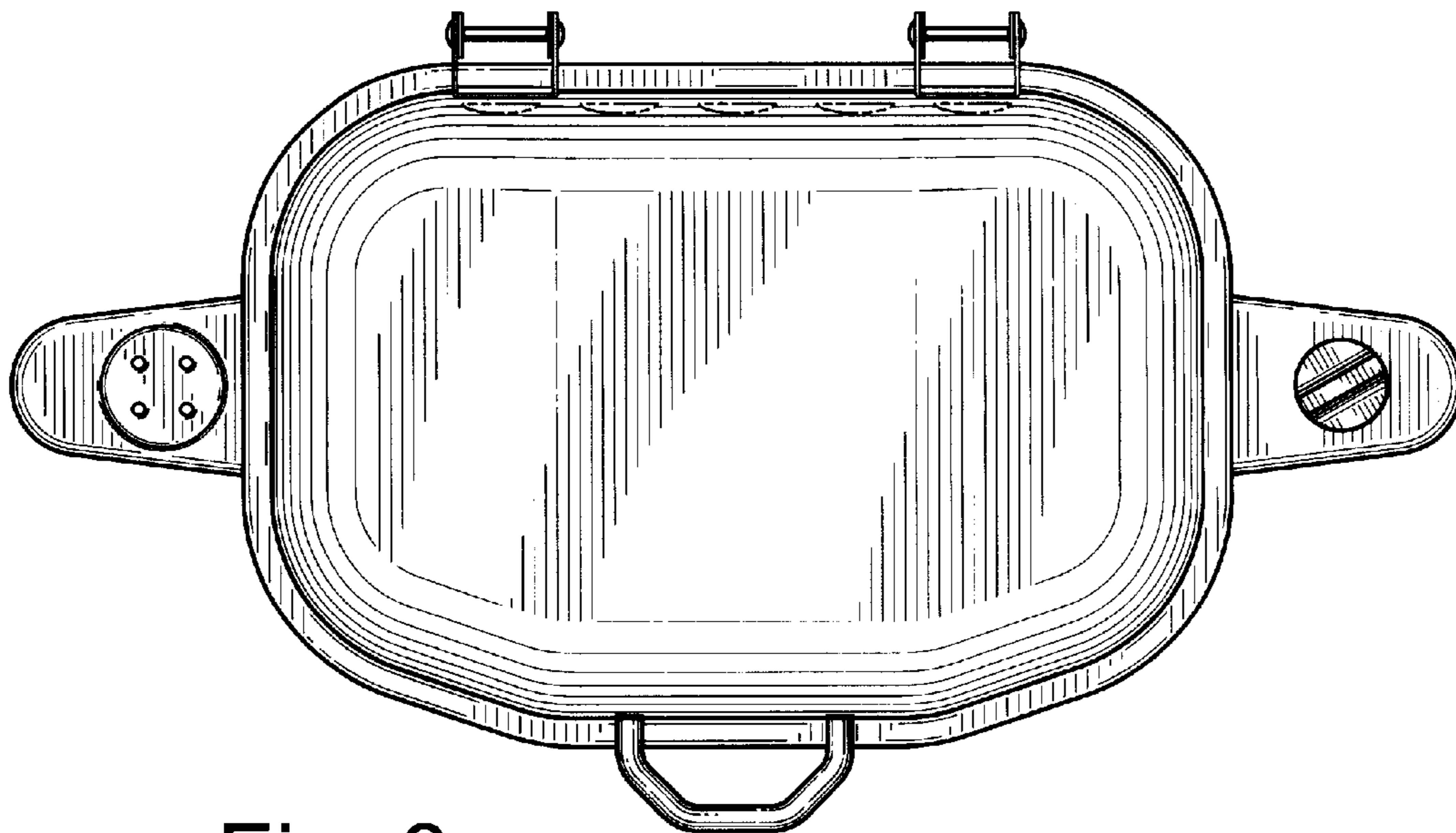


Fig. 3

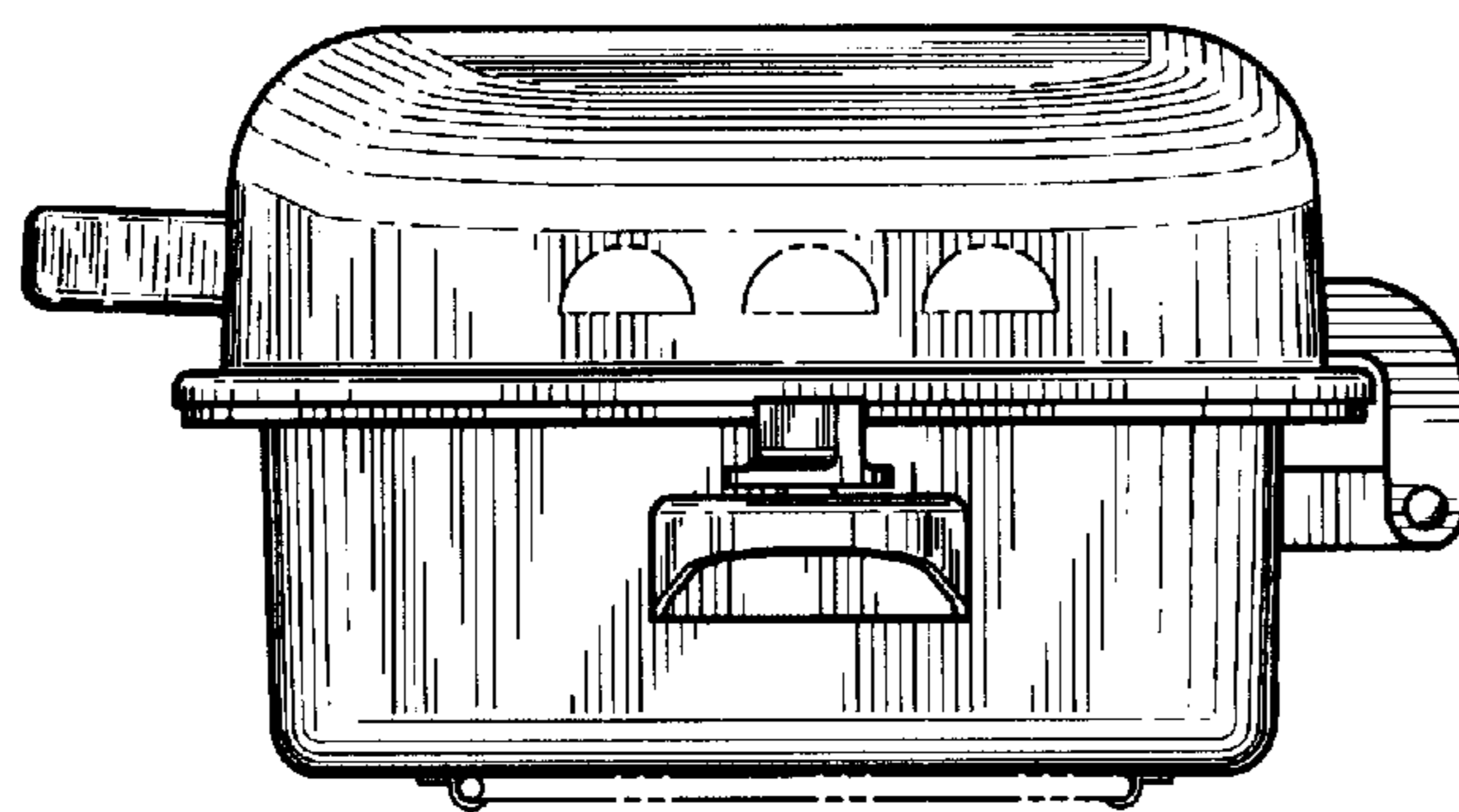


Fig. 4

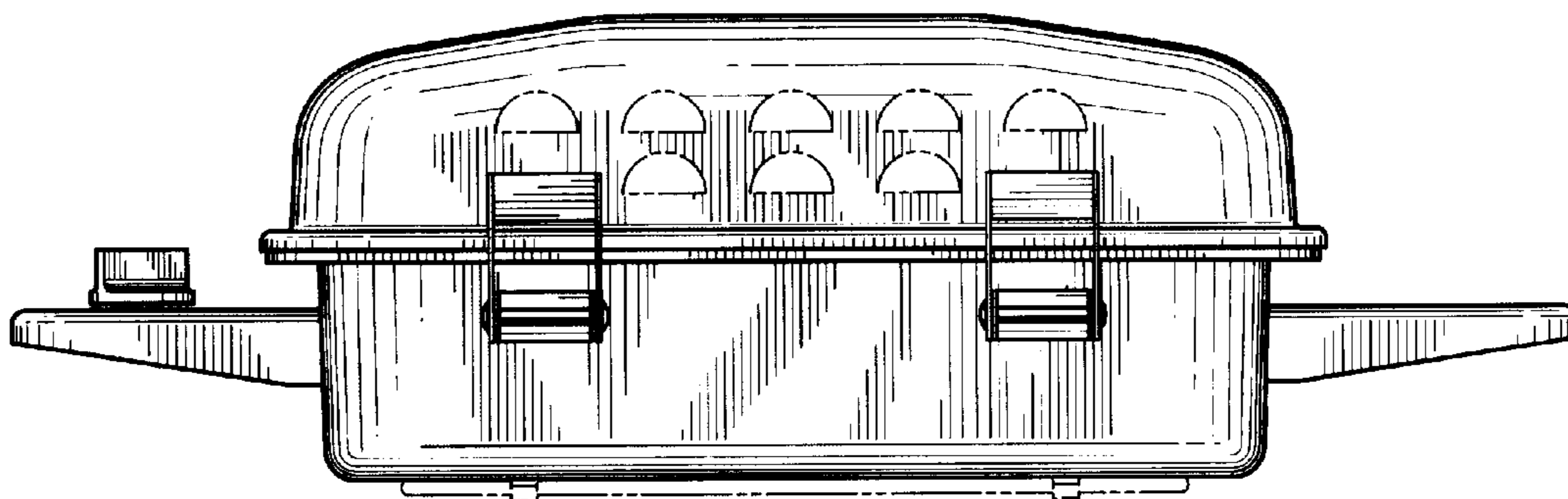


Fig. 5

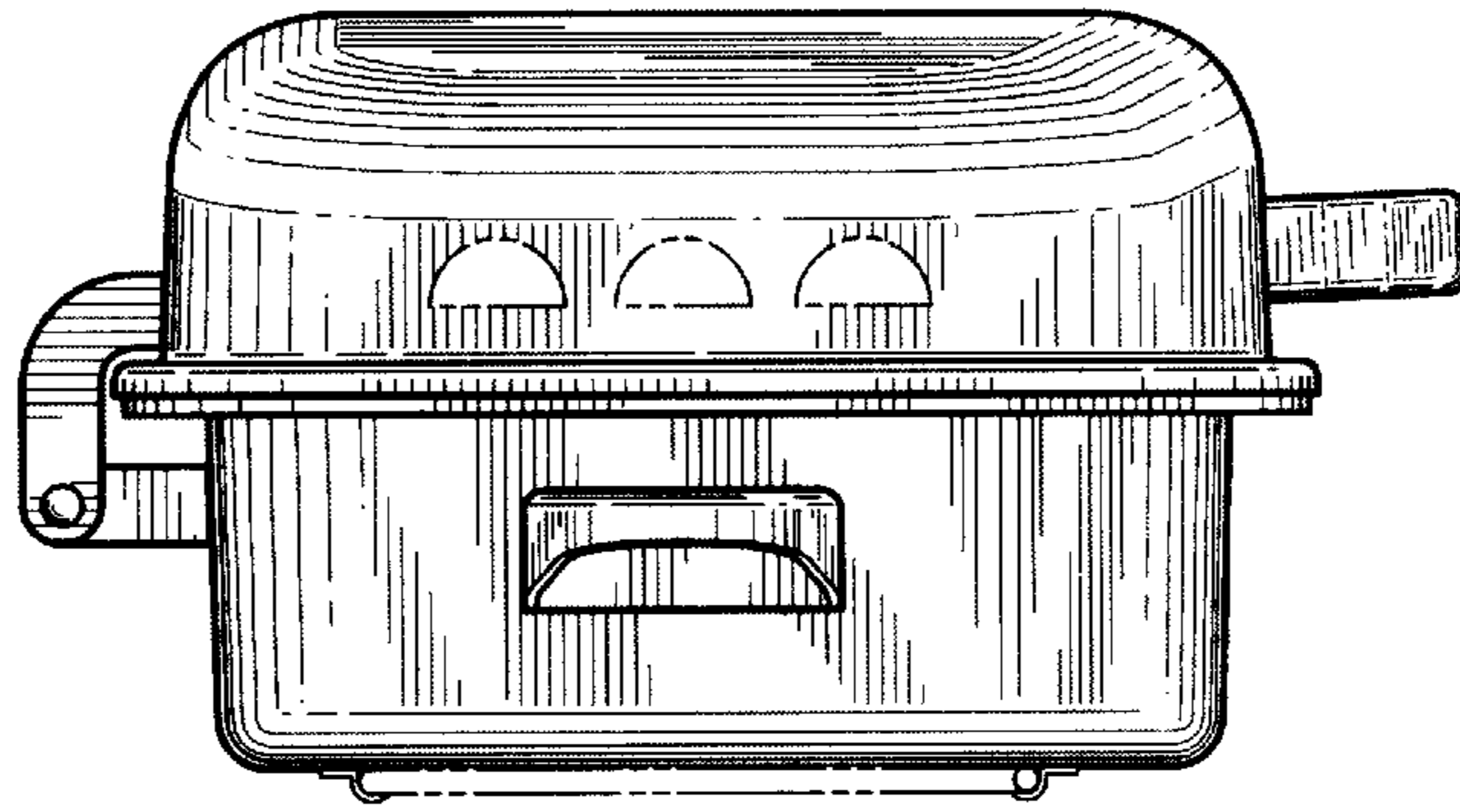


Fig. 6

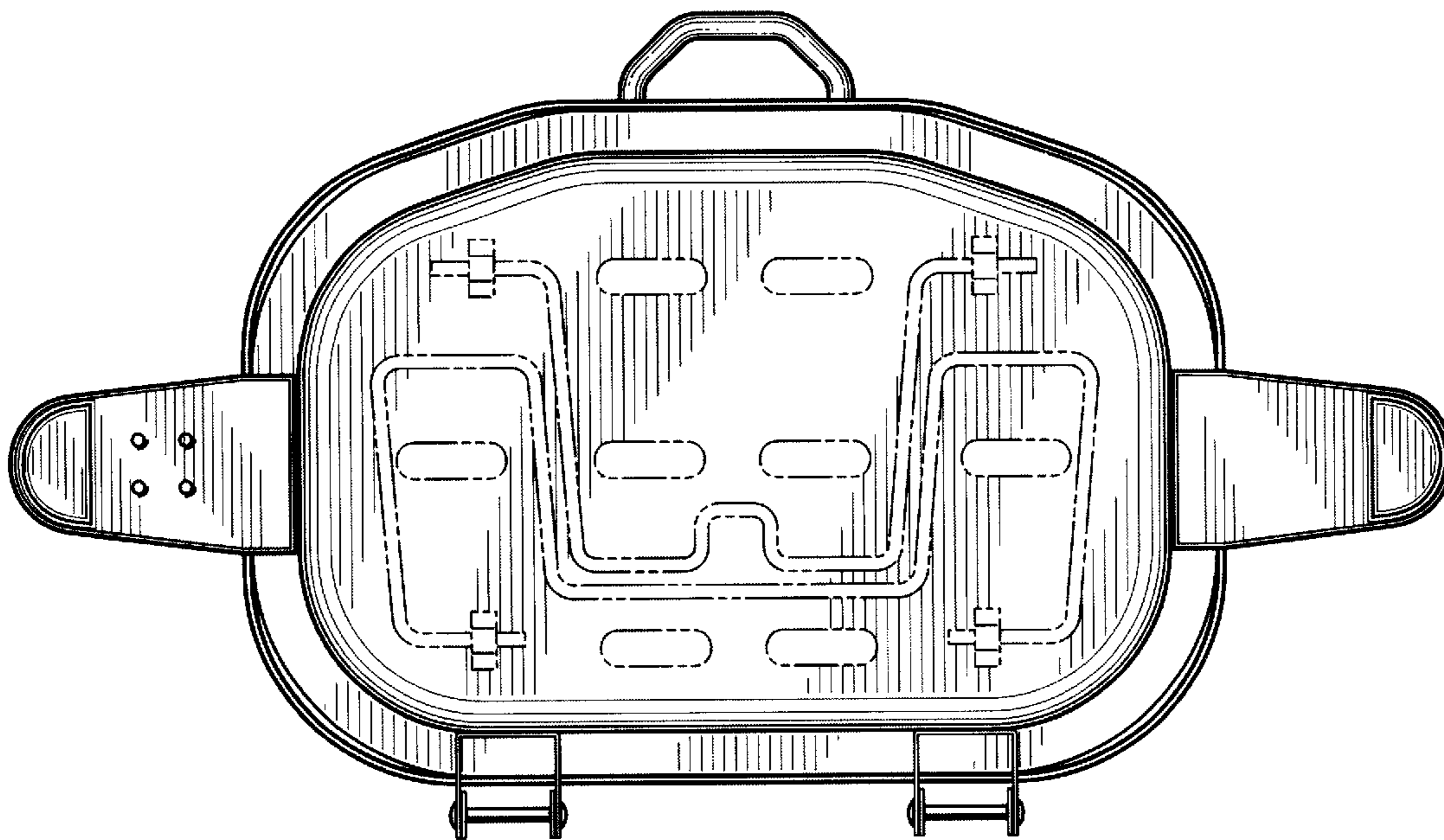


Fig. 7

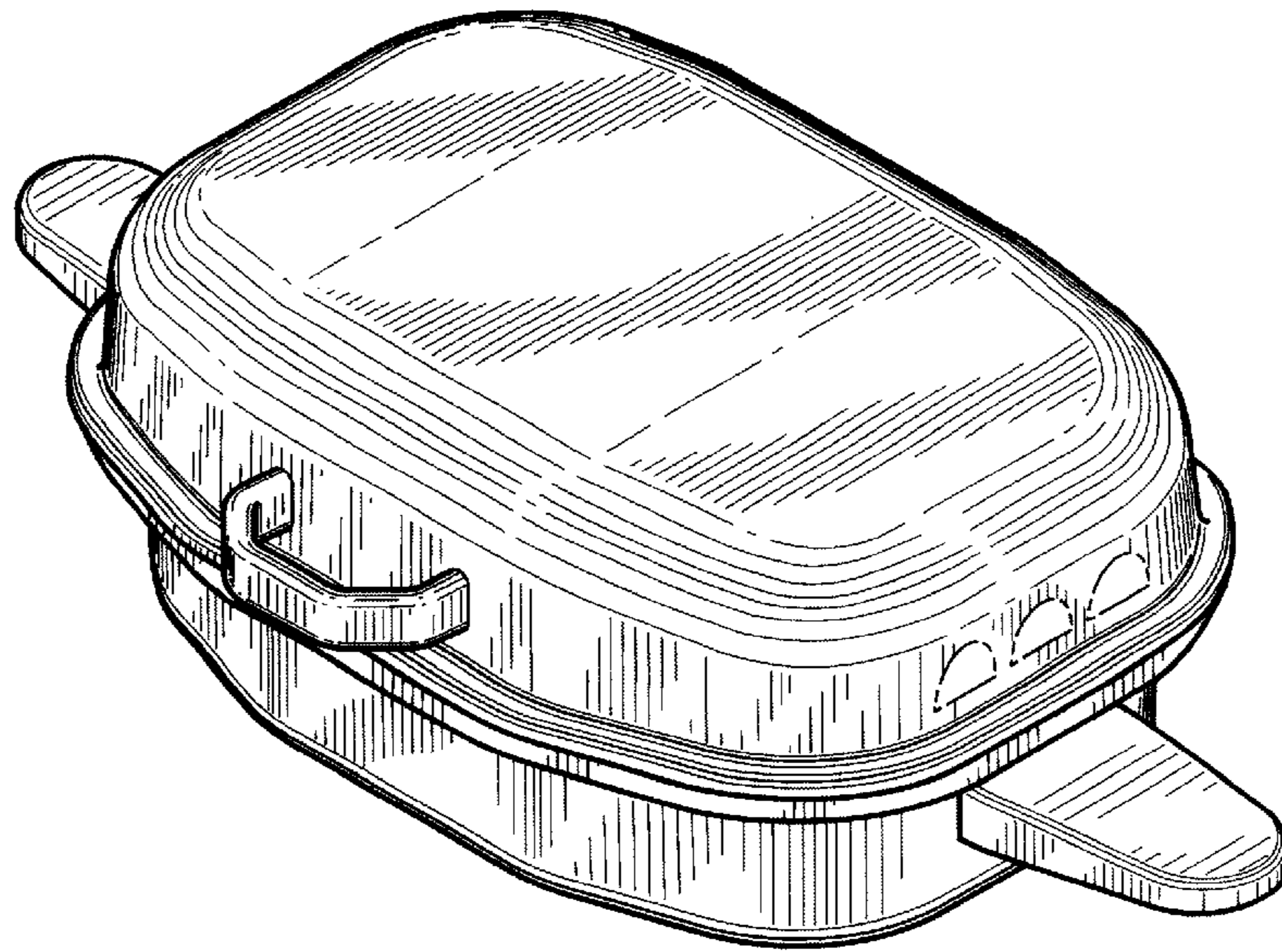


Fig. 8

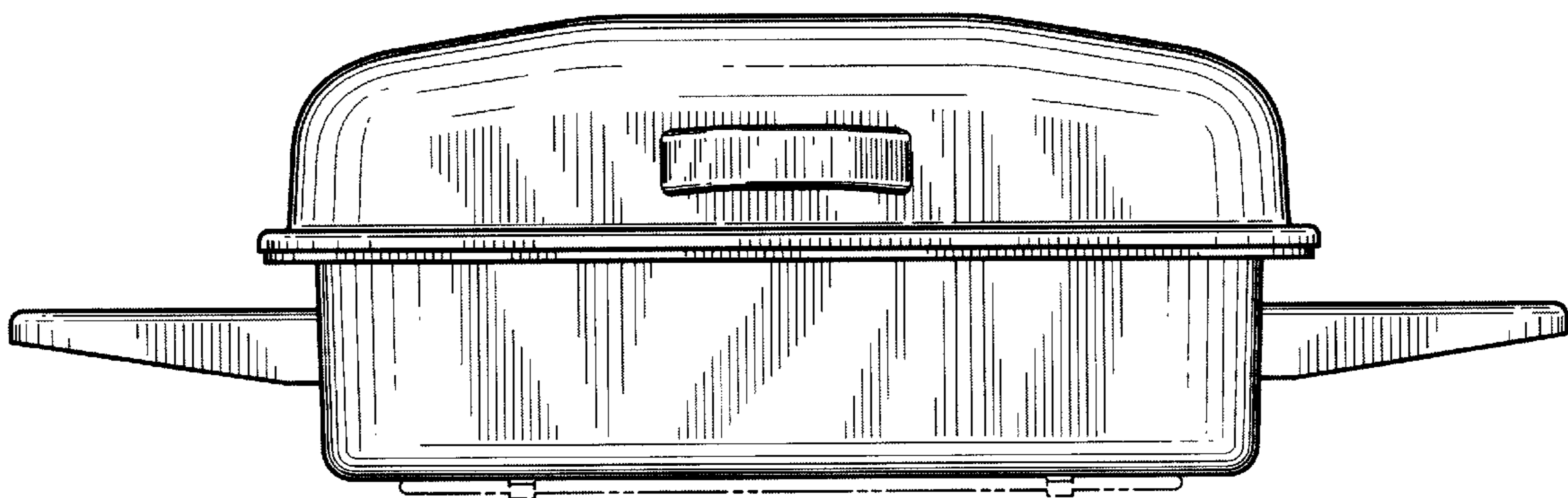


Fig. 9

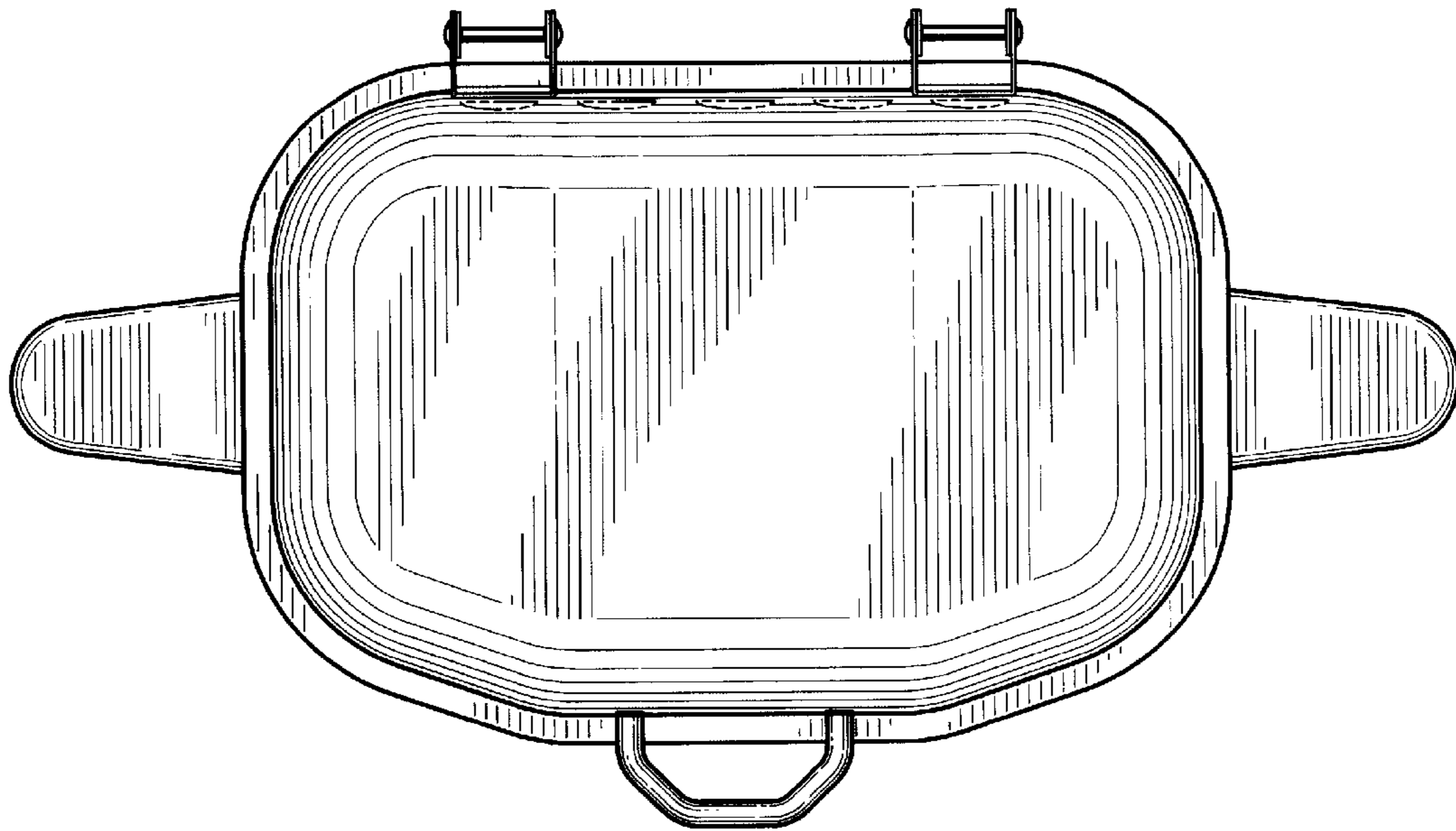


Fig. 10

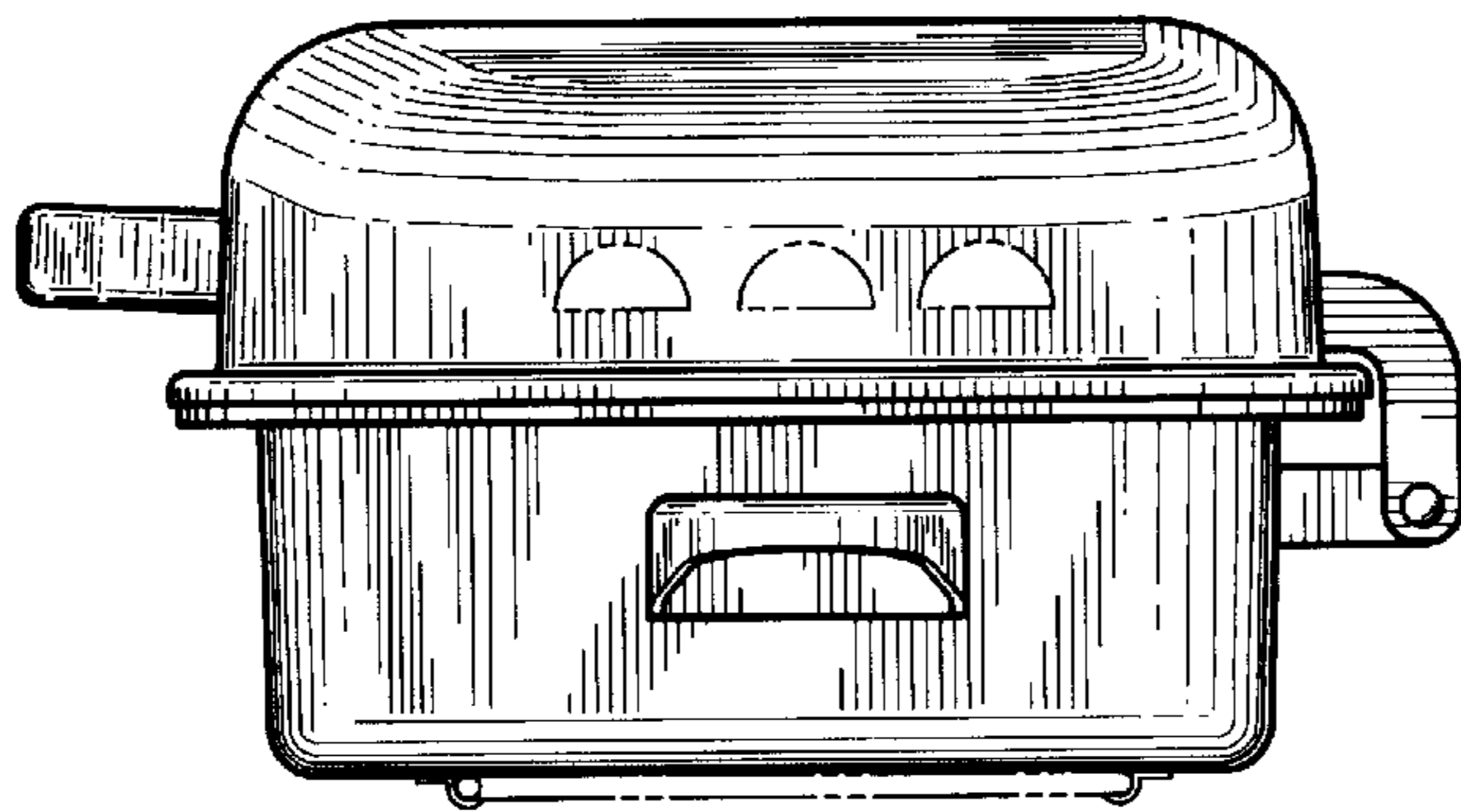


Fig. 11

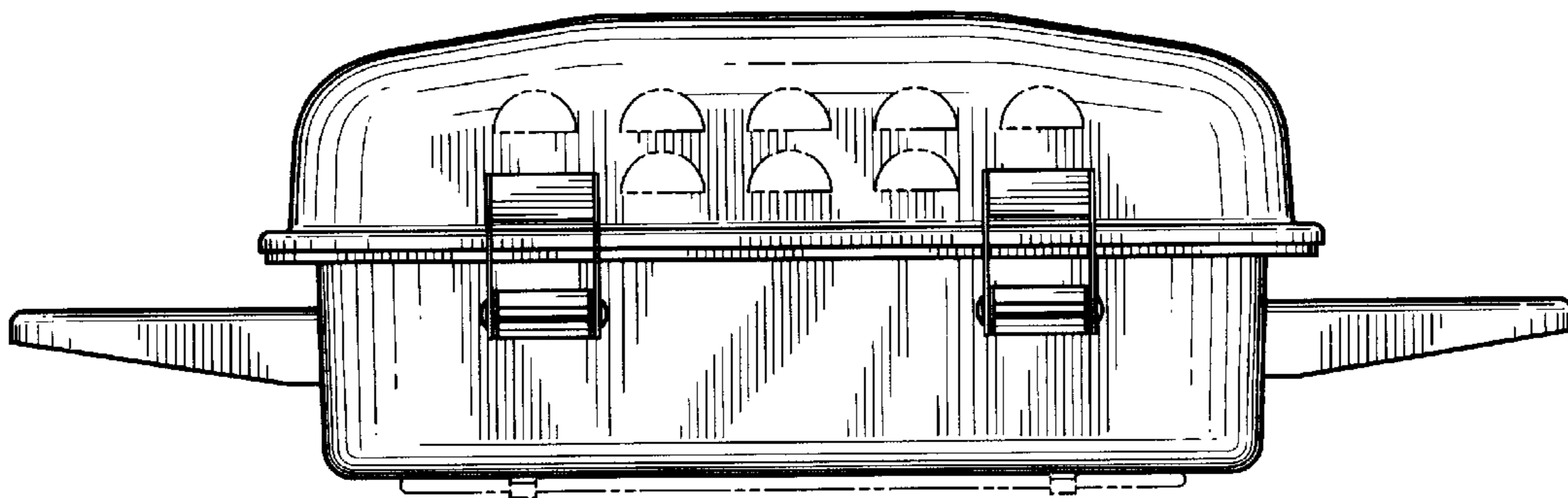


Fig. 12

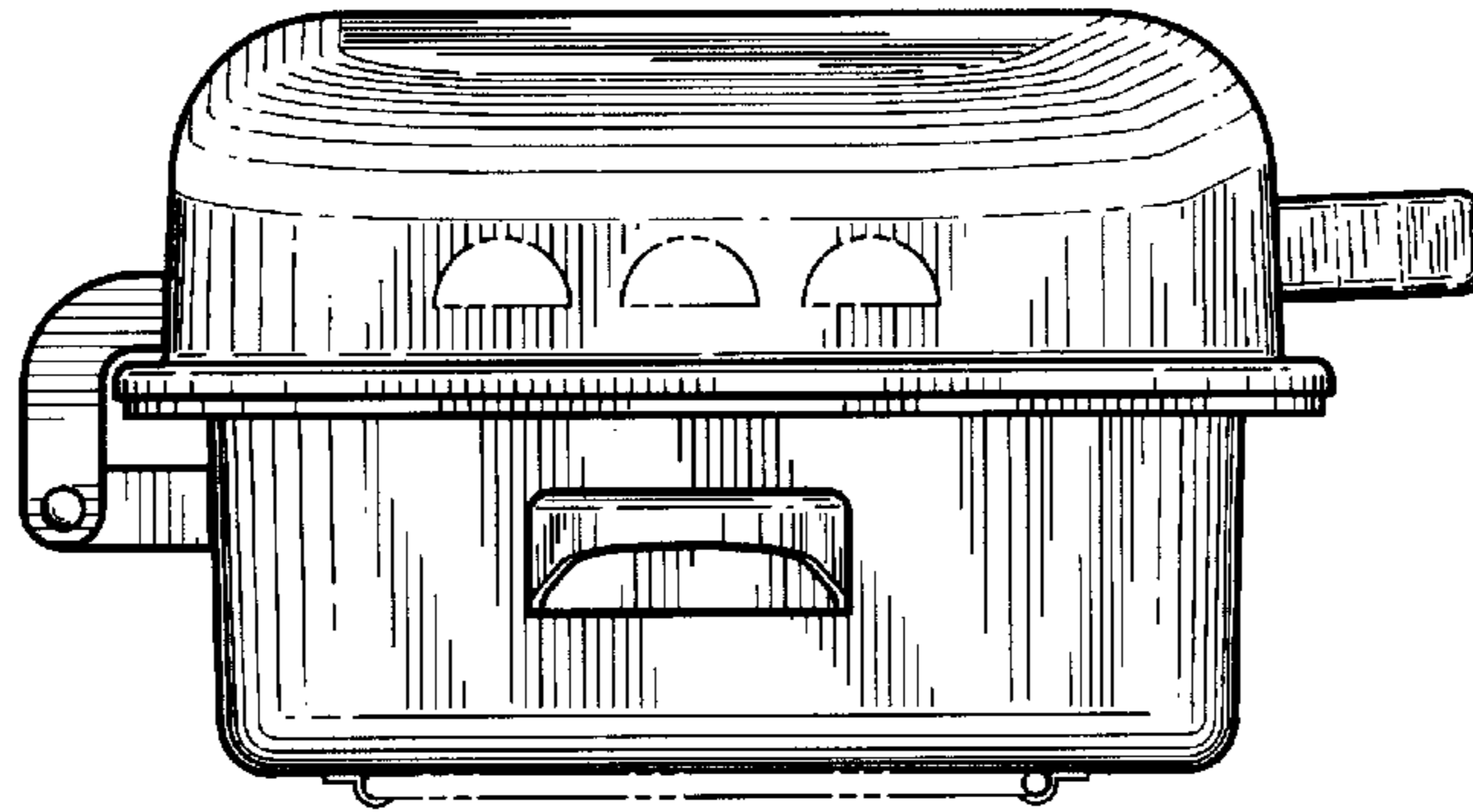


Fig. 13

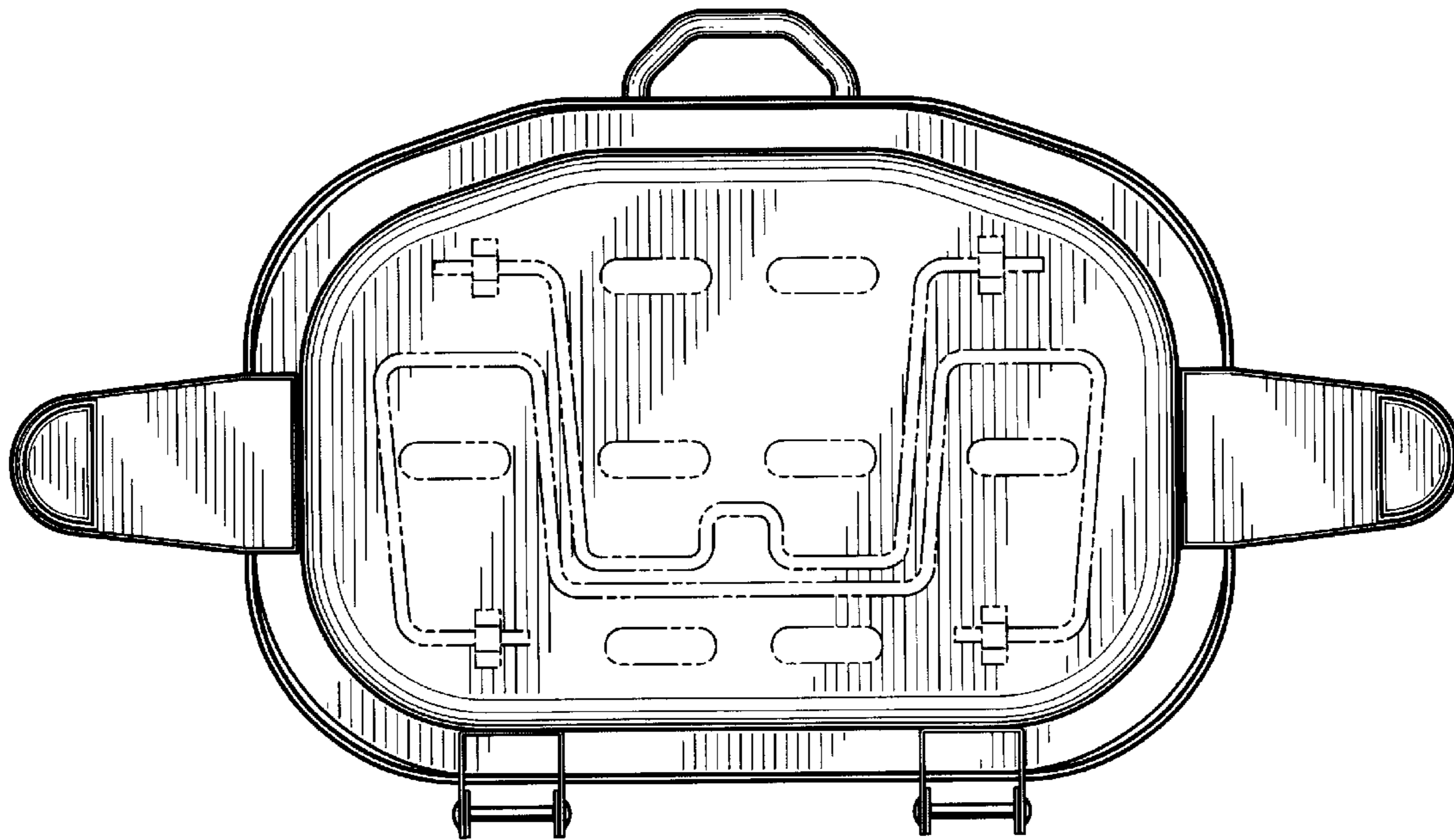


Fig. 14