



US00D533007S

(12) **United States Design Patent**
Felty

(10) **Patent No.:** **US D533,007 S**
(45) **Date of Patent:** **** Dec. 5, 2006**

(54) **BEVERAGE BREWER**
(75) Inventor: **David S. Felty**, Eau Claire, WI (US)
(73) Assignee: **Marketing Resources International, Inc.**, Eau Claire, WI (US)
(**) Term: **14 Years**

D366,385 S * 1/1996 Alessi Anghii et al. D7/309
D449,197 S * 10/2001 Byler D7/309
D449,954 S * 11/2001 Warfel et al. D7/309
D459,936 S * 7/2002 Woebcke et al. D7/308
D461,357 S * 8/2002 Harrison et al. D7/306
D481,253 S * 10/2003 Luzzato D7/306
D502,627 S * 3/2005 Cahen D7/306
D503,064 S * 3/2005 Since D7/309
D505,822 S * 6/2005 De Gooijer D7/307

(21) Appl. No.: **29/257,866**
(22) Filed: **Apr. 7, 2006**

* cited by examiner

Related U.S. Application Data

Primary Examiner—M. N. Pandozzi
(74) *Attorney, Agent, or Firm*—Paul M. Denk

(62) Division of application No. 29/218,397, filed on Dec. 1, 2004.
(51) **LOC (8) Cl.** **07-01**
(52) **U.S. Cl.** **D7/309; D7/311; D7/306**
(58) **Field of Classification Search** D7/300,
D7/315–312; 99/295, 287, 300, 280, 282;
222/129.1–129.4, 568, 603, 705
See application file for complete search history.

(57) **CLAIM**

The ornamental design for the beverage brewer, as shown and described.

DESCRIPTION

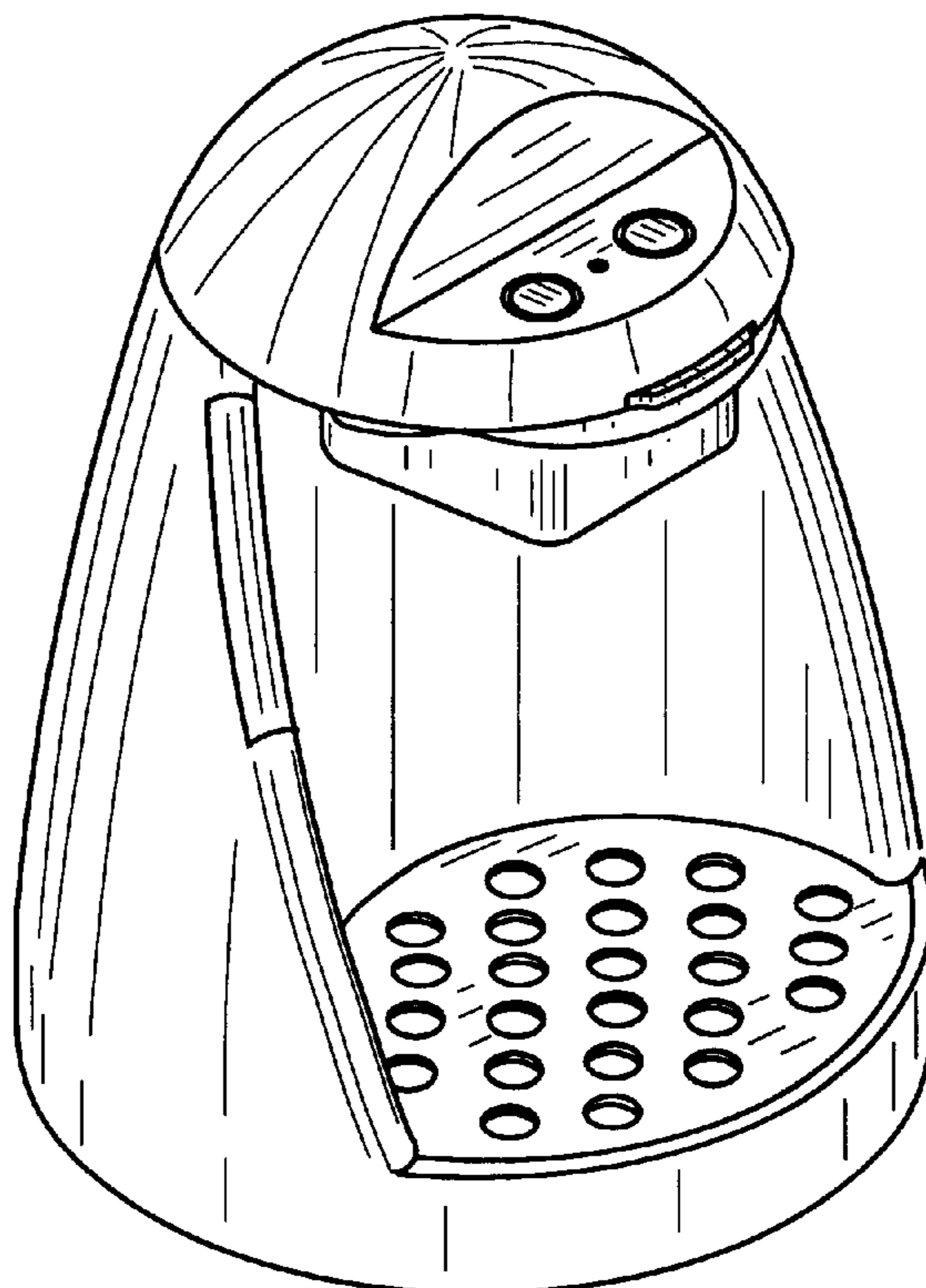
(56) **References Cited**

FIG. 1 is a perspective view of a beverage brewer showing my new design;
FIG. 2 is a front view thereof;
FIG. 3 is a back view thereof;
FIG. 4 is a left side view thereof;
FIG. 5 is a right side view thereof;
FIG. 6 is a top plan view; and,
FIG. 7 is a bottom view thereof.

U.S. PATENT DOCUMENTS

D235,816 S * 7/1975 Hall D7/308
D250,195 S * 11/1978 Salmans et al. D7/311
D283,779 S * 5/1986 Beeren D7/309

1 Claim, 2 Drawing Sheets



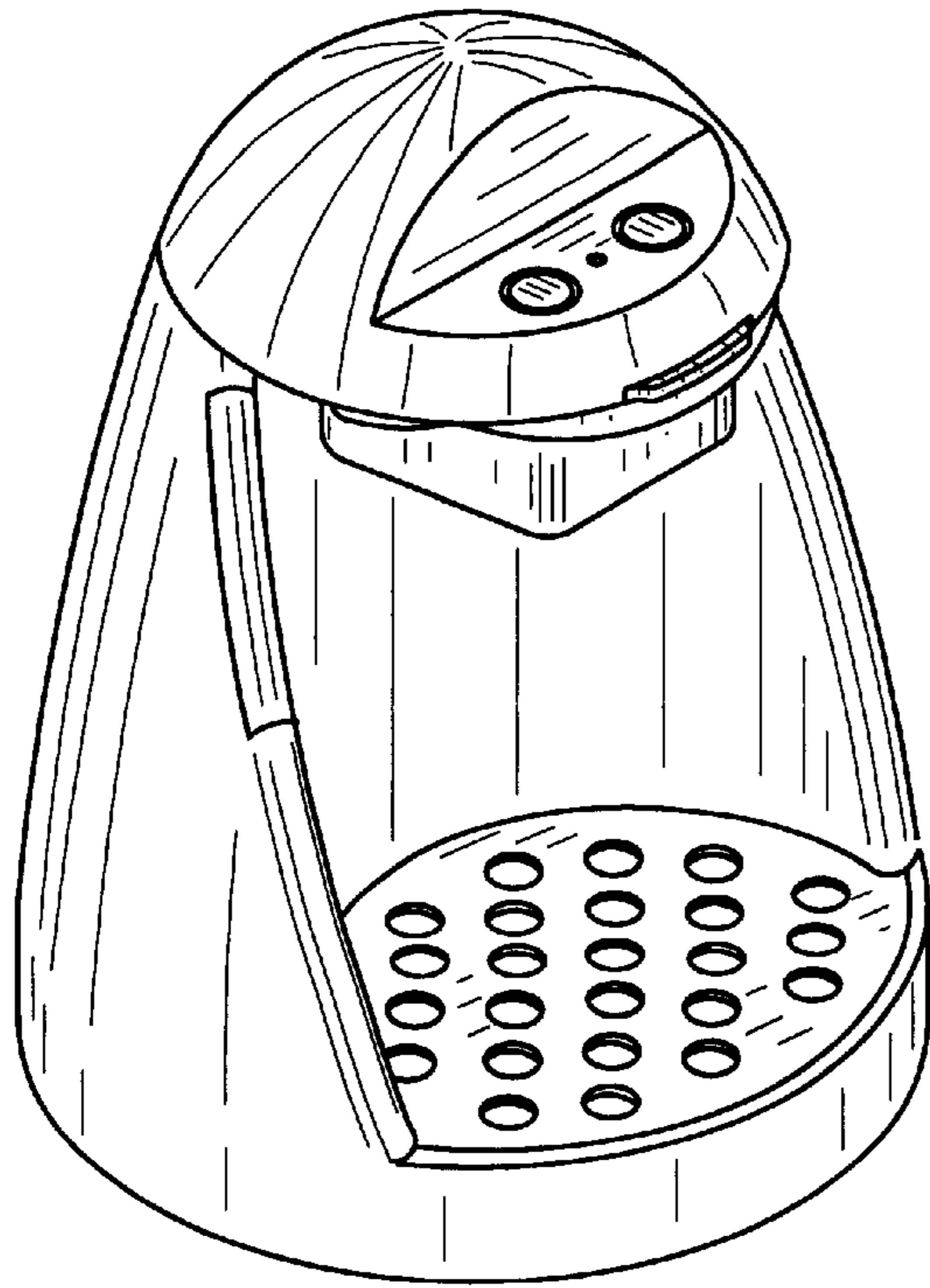


FIG. 1

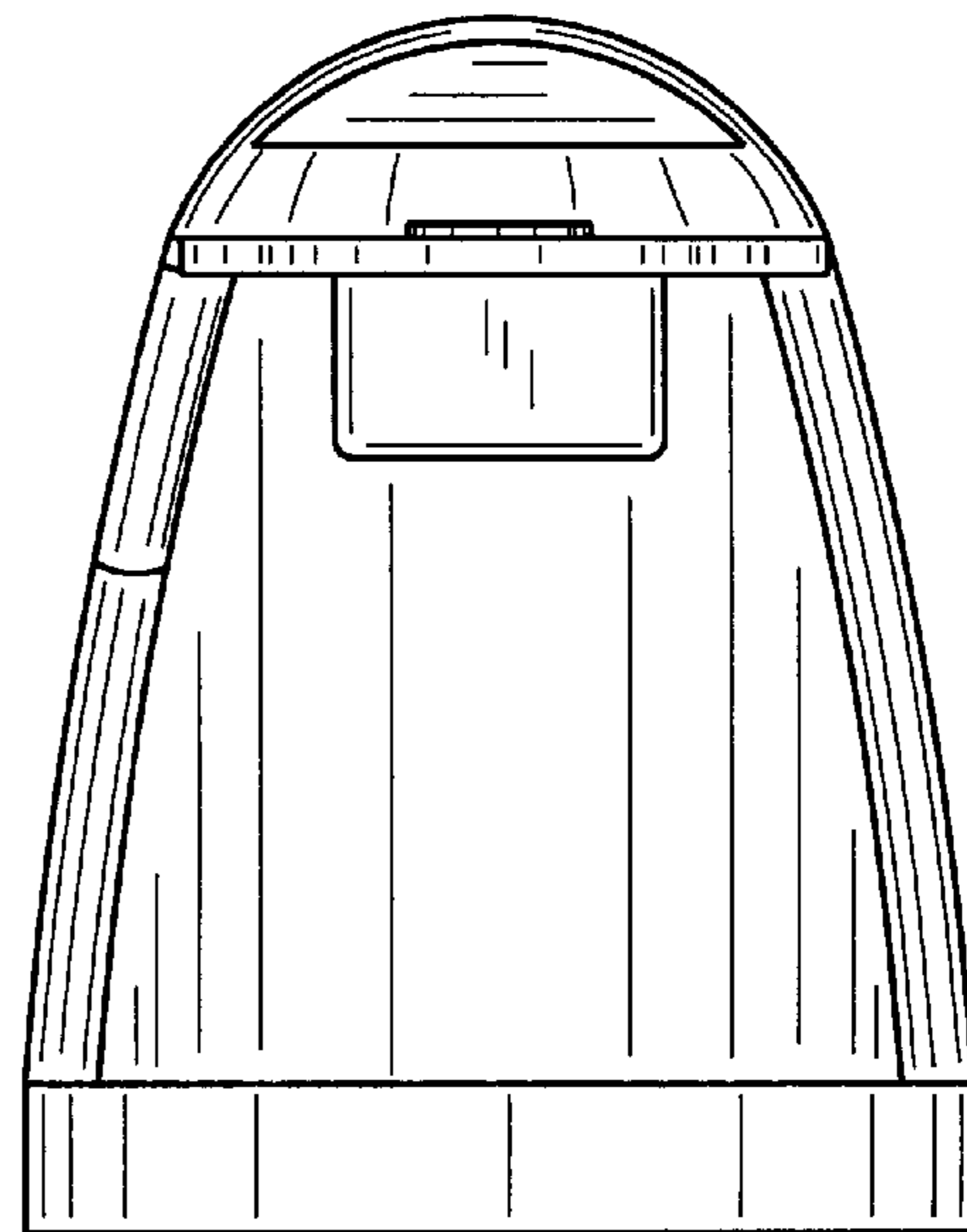


FIG. 2

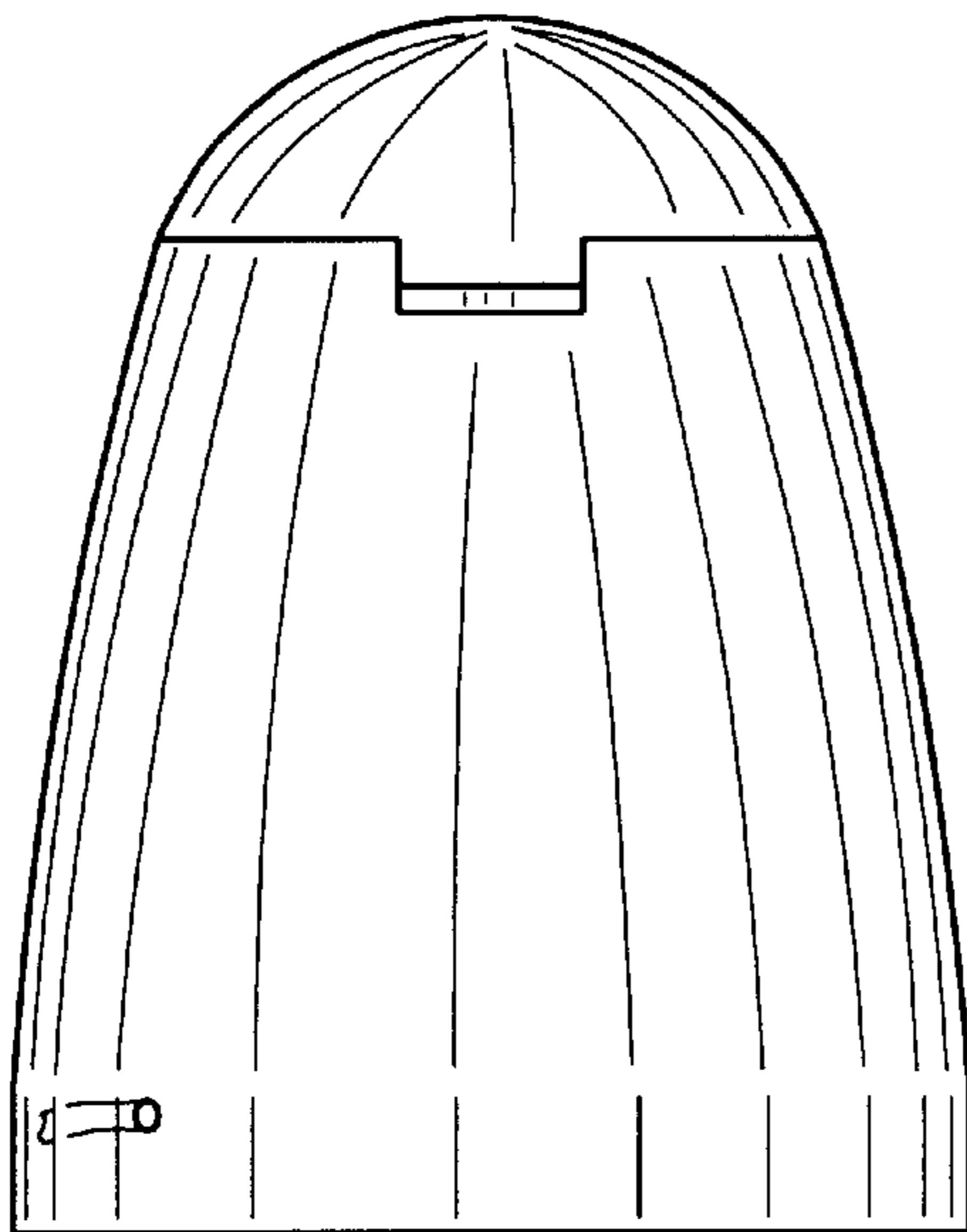


FIG. 3

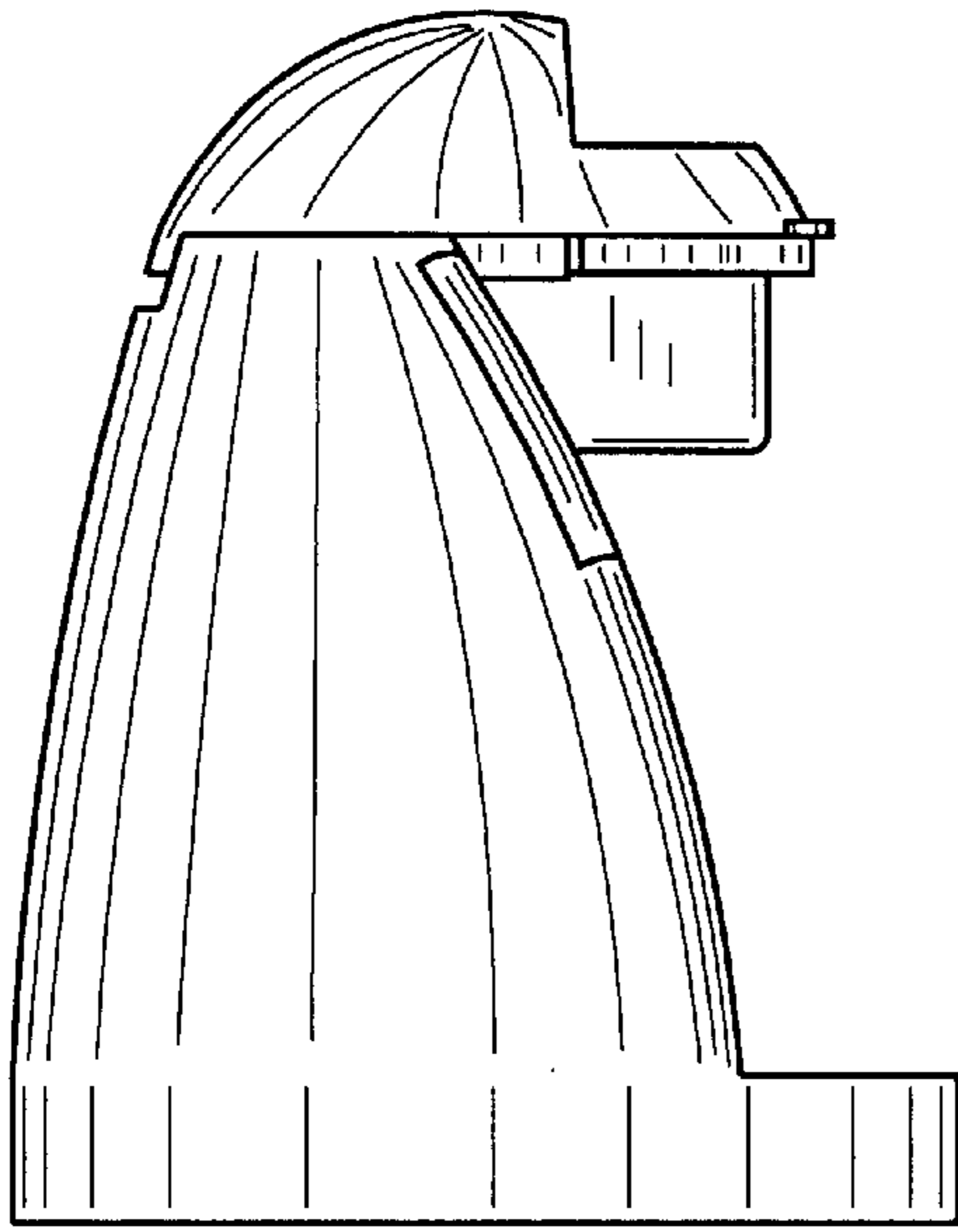


FIG. 4

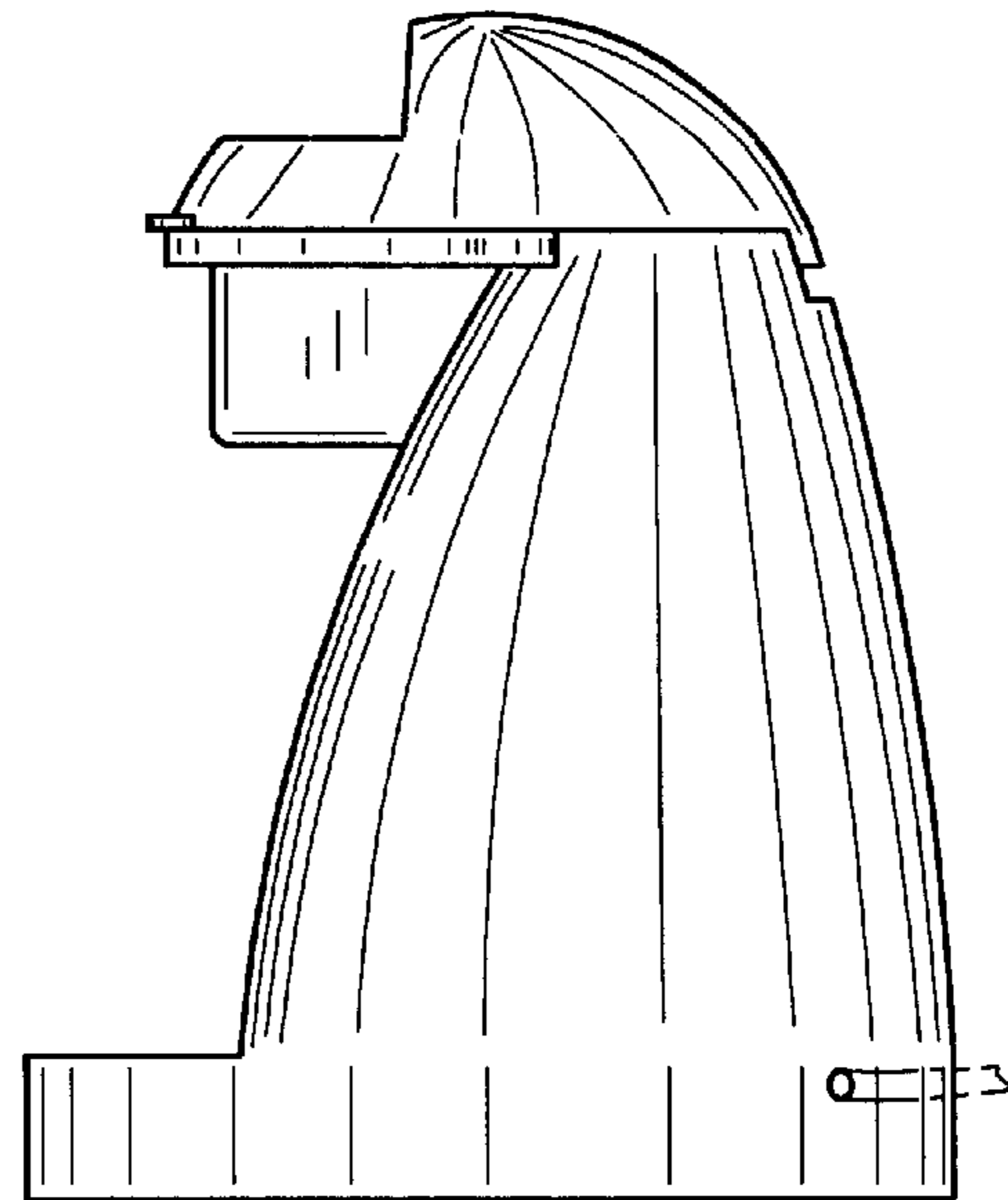


FIG. 5

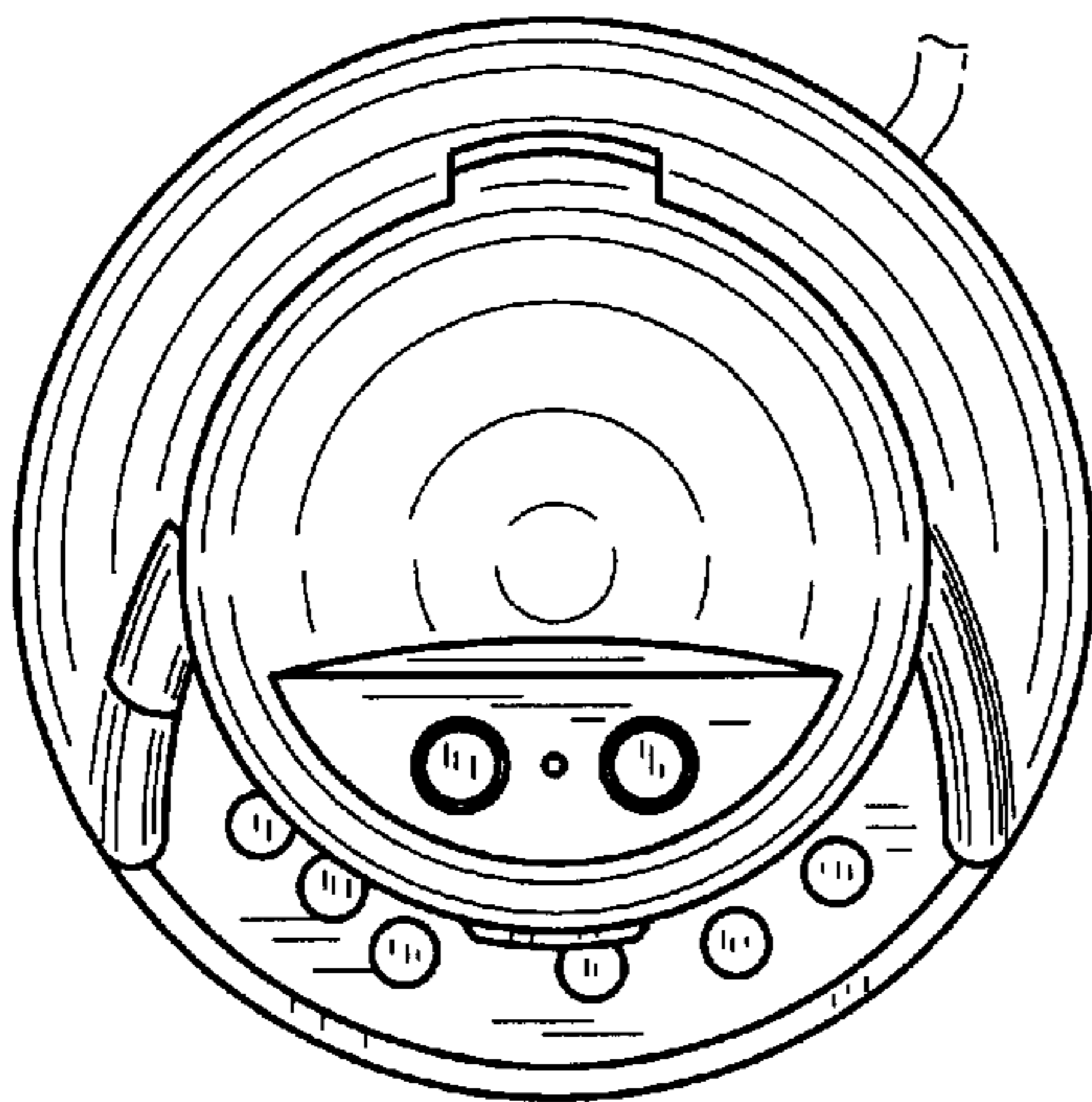


FIG. 6

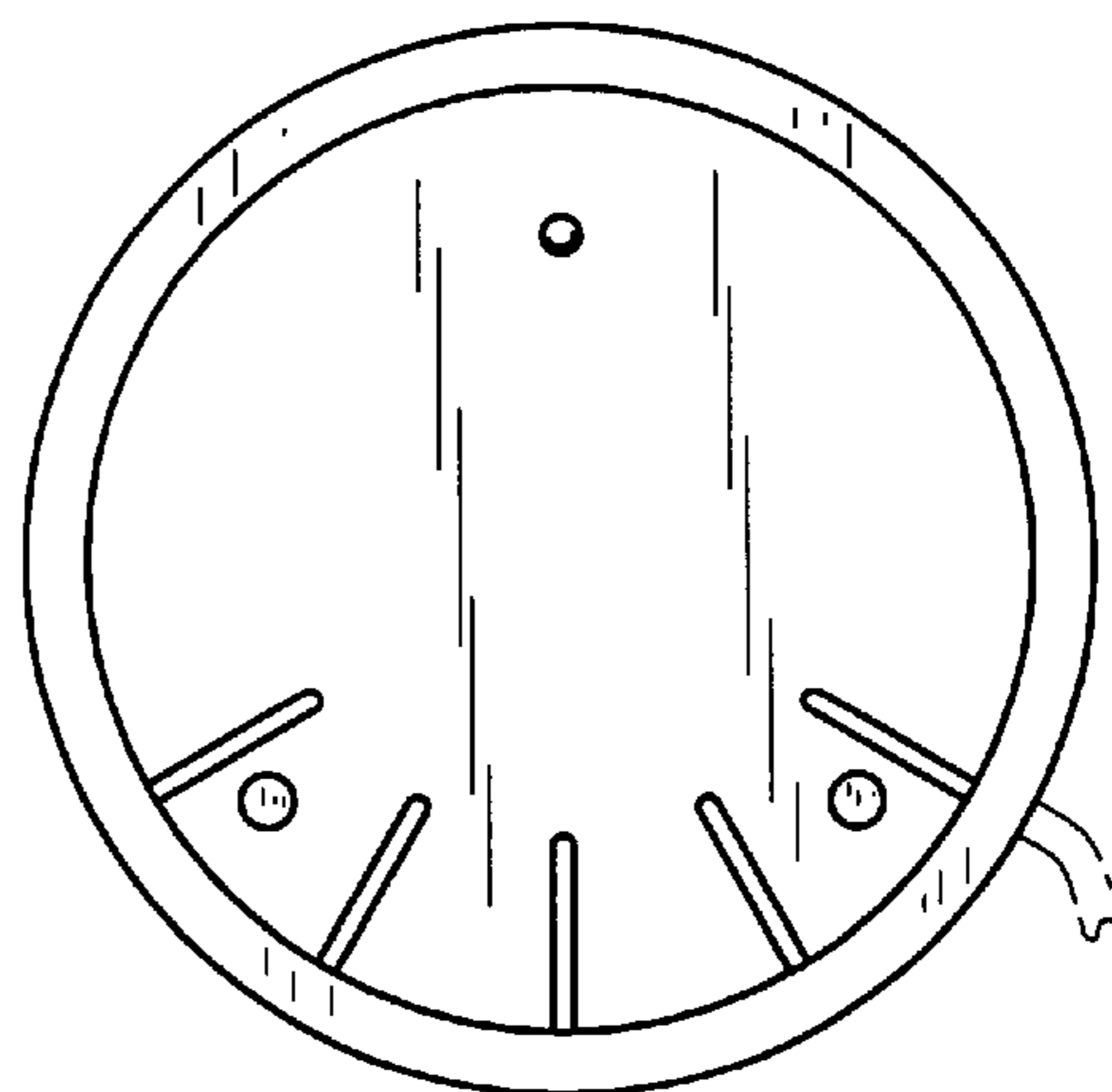


FIG. 7