



US00D533005S

(12) **United States Design Patent**
Lesniak

(10) **Patent No.:** **US D533,005 S**
(45) **Date of Patent:** **** Dec. 5, 2006**

(54) **BASEBALL CAP SHAPED SEAT CUSHION**

(76) **Inventor:** **Robert Brian Lesniak**, 12282
Wintergreen St., Rancho Cucamonga,
CA (US) 91739-1900

(**) **Term:** **14 Years**

(21) **Appl. No.:** **29/231,676**

(22) **Filed:** **Jun. 8, 2005**

(51) **LOC (8) Cl.** **06-09**

(52) **U.S. Cl.** **D6/597**

(58) **Field of Classification Search** D6/595-598,
D6/601, 604; 297/4, 181; 2/19, 158, 195.1,
2/195.3; 5/772; D3/211; D11/81; D2/882
See application file for complete search history.

(56) **References Cited**

U.S. PATENT DOCUMENTS

3,323,151	A	*	6/1967	Lerman	5/722
D260,468	S	*	9/1981	Huebner	D6/597
D321,787	S	*	11/1991	Kraus	D3/211
D343,543	S		1/1994	Pena	D6/597
D368,822	S		4/1996	Gibree	D6/597

5,881,384	A		3/1999	Williams	2/158
D433,647	S	*	11/2000	Mahabeer	D11/81
6,311,331	B1	*	11/2001	Park	2/195.1
6,324,696	B1		12/2001	Montgomery	2/19
6,339,844	B1	*	1/2002	Merkley	2/195.3

* cited by examiner

Primary Examiner—Robert M. Spear
Assistant Examiner—Mary Ann Calabrese

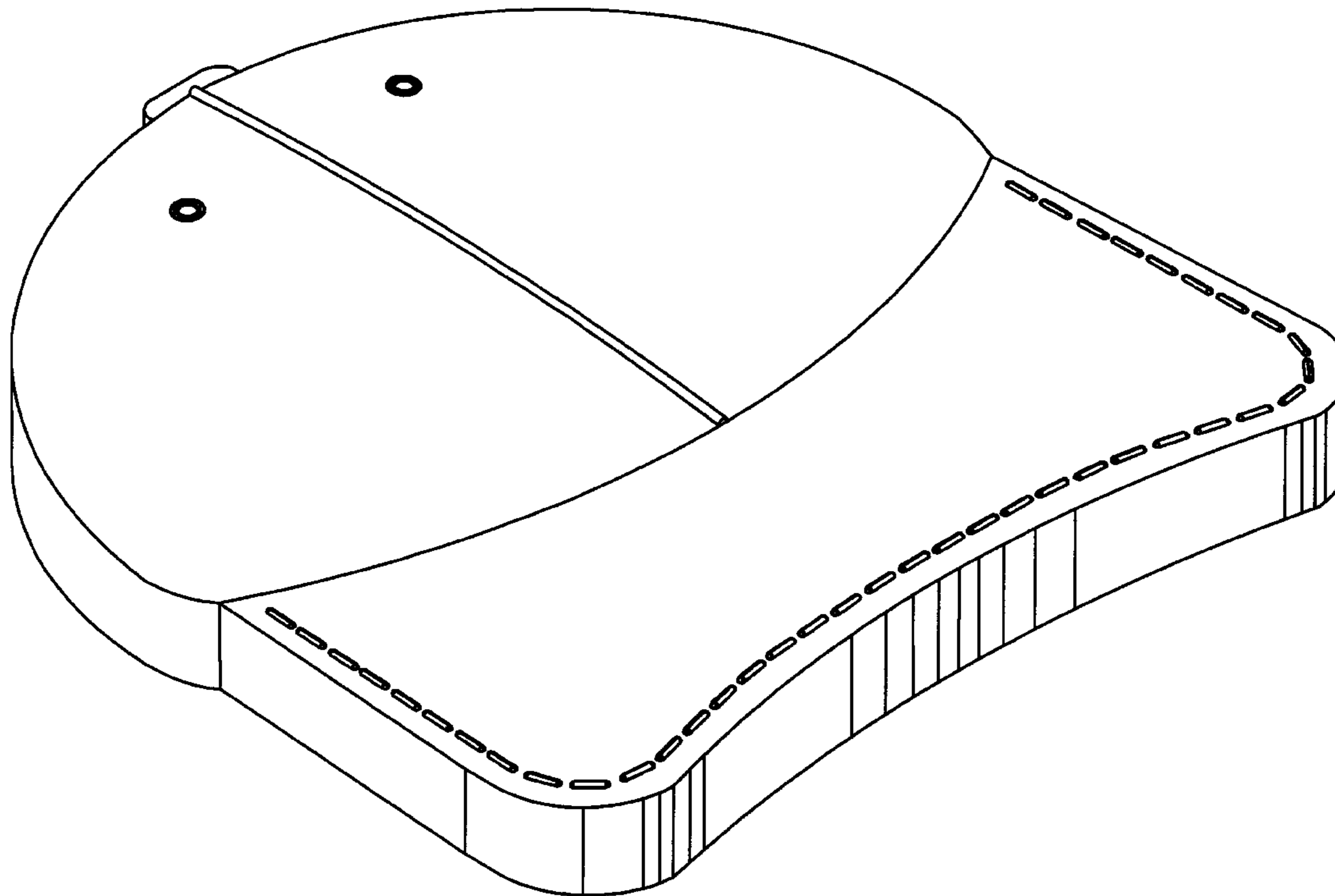
(57) **CLAIM**

The ornamental design for a baseball cap shaped seat cushion, as shown.

DESCRIPTION

FIG. 1 is an enlarged perspective view of a baseball cap shaped seat cushion showing my new design
FIG. 2 is a back side elevational view thereof;
FIG. 3 is a top plan view thereof;
FIG. 4 is a front elevational view thereof;
FIG. 5 is a left side elevational view thereof;
FIG. 6 is a bottom plan view thereof; and,
FIG. 7 is a right side elevational view thereof.

1 Claim, 2 Drawing Sheets



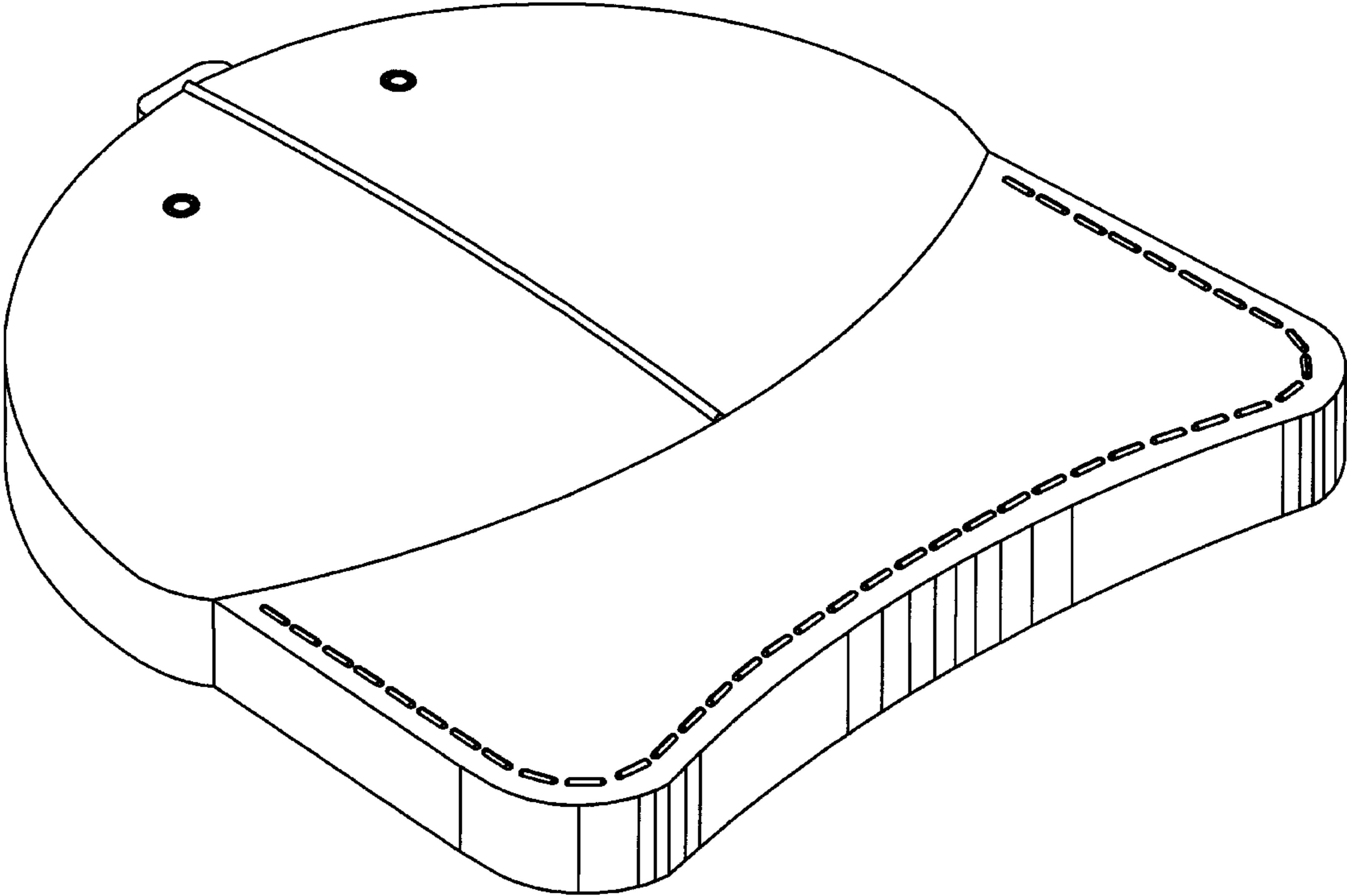


FIG. 1

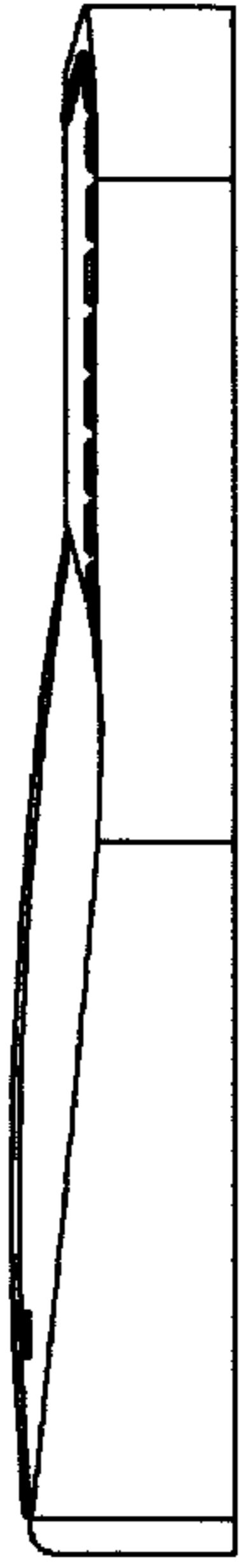


FIG. 5

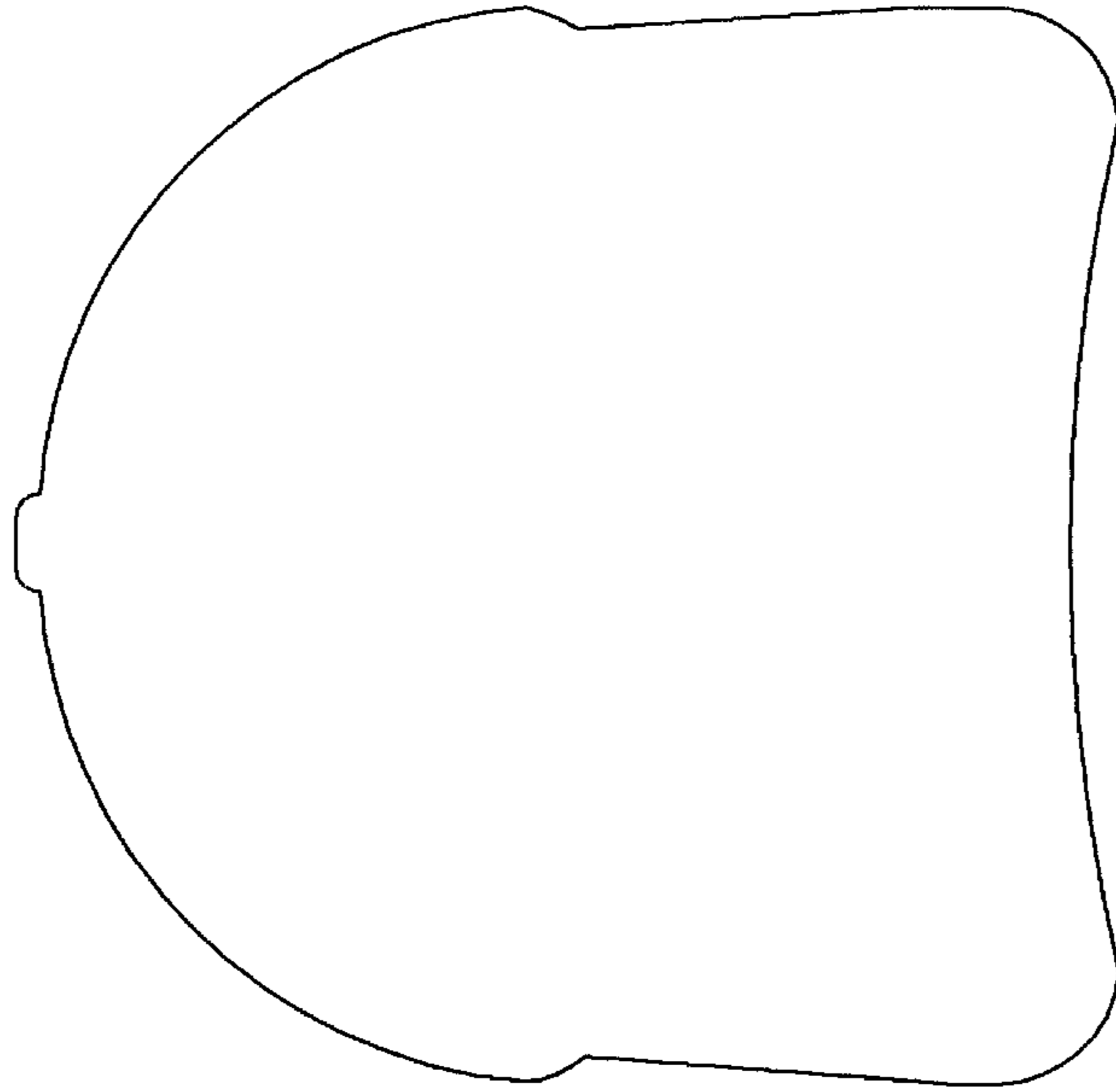


FIG. 6



FIG. 7

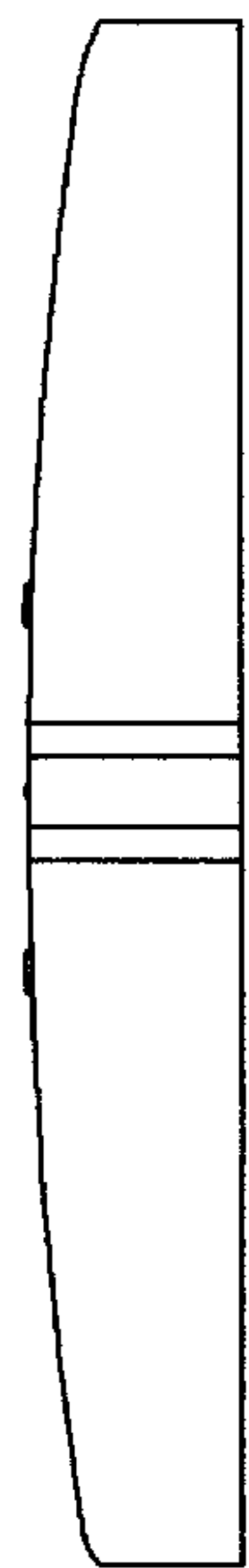


FIG. 2

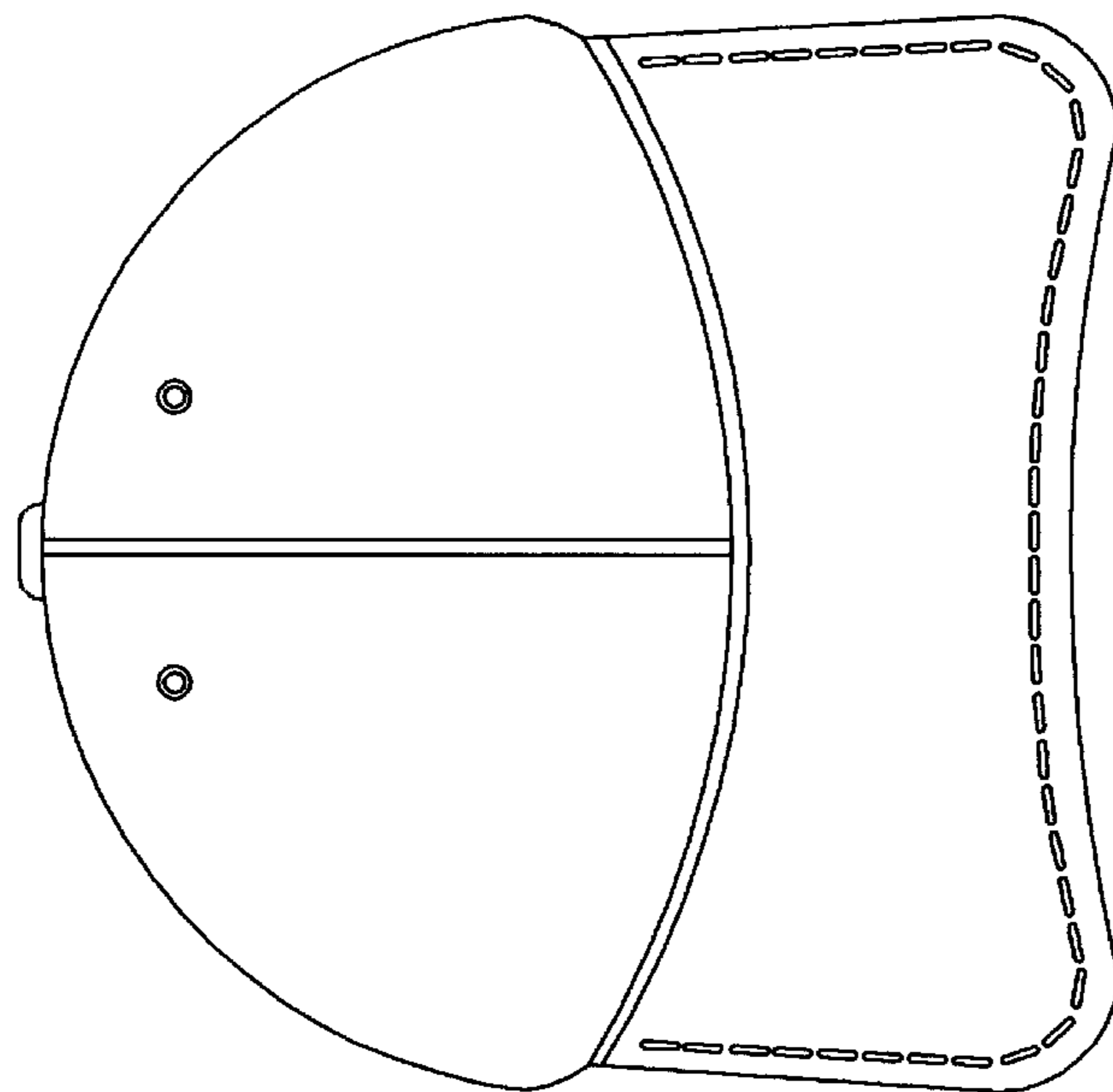


FIG. 3



FIG. 4