



US00D533003S

(12) **United States Design Patent**
Yu et al.

(10) **Patent No.:** **US D533,003 S**
(45) **Date of Patent:** **** Dec. 5, 2006**

(54) **WINDOW COVERING WITH SHADE
PANELS HAVING FREE LOWER EDGE**

(75) Inventors: **Fu-Lai Yu**, Taipei Hsieh (TW);
Chin-Tien Huang, Taipei Hsieh (TW);
Shun-Chi Yu, Taipei Hsieh (TW)

(73) Assignee: **Teh Yor Co. Ltd.**, Taipei (TW)

(**) Term: **14 Years**

(21) Appl. No.: **29/226,960**

(22) Filed: **Apr. 5, 2005**

(51) **LOC (8) Cl.** **06-10**

(52) **U.S. Cl.** **D6/575**

(58) **Field of Classification Search** D6/575-580;
160/84.08, 107, 111, 113, 130, 179, 180,
160/181, 199, 279, 348

See application file for complete search history.

(56) **References Cited**

U.S. PATENT DOCUMENTS

1,791,162	A	*	2/1931	Ellis	160/231.1
1,829,617	A	*	10/1931	Steffen	160/231.1
3,465,806	A	*	9/1969	Sulkes	160/84.06
4,236,566	A	*	12/1980	Hensel	160/130
D277,061	S	*	1/1985	Picoy	D6/575
4,921,032	A		5/1990	May	160/84.1
5,129,440	A		7/1992	Colson	160/84.1
5,409,050	A		4/1995	Hong	160/168.1
D486,340	S	*	2/2004	Sudano	D6/577

* cited by examiner

Primary Examiner—Holly Baynham

Assistant Examiner—Cynthia M. Chin

(74) *Attorney, Agent, or Firm*—Olson & Hierl, Ltd

(57) **CLAIM**

The ornamental design for a window covering with shade panels having free lower edge, as shown and described.

DESCRIPTION

FIG. 1 is a perspective front view of a window covering in a closed position.

FIG. 2 is a perspective rear view of the window covering of FIG. 1 in a closed position;

FIG. 3 is a perspective front view of the window covering of FIG. 1 in a partially open position;

FIG. 4 is a front perspective view of the window covering of FIG. 1 in another partially open position;

FIG. 5 is a rear perspective view of the window covering as shown in the partially open position of FIG. 4;

FIG. 6 is a front perspective view of the window covering of FIG. 1 in another alternative partially open position;

FIG. 7 is a rear perspective view of the window covering as shown in FIG. 6;

FIG. 8 is a perspective view of the window covering of FIG. 1 in a fully open position;

FIG. 9 is a rear perspective view of the window covering as shown in FIG. 8;

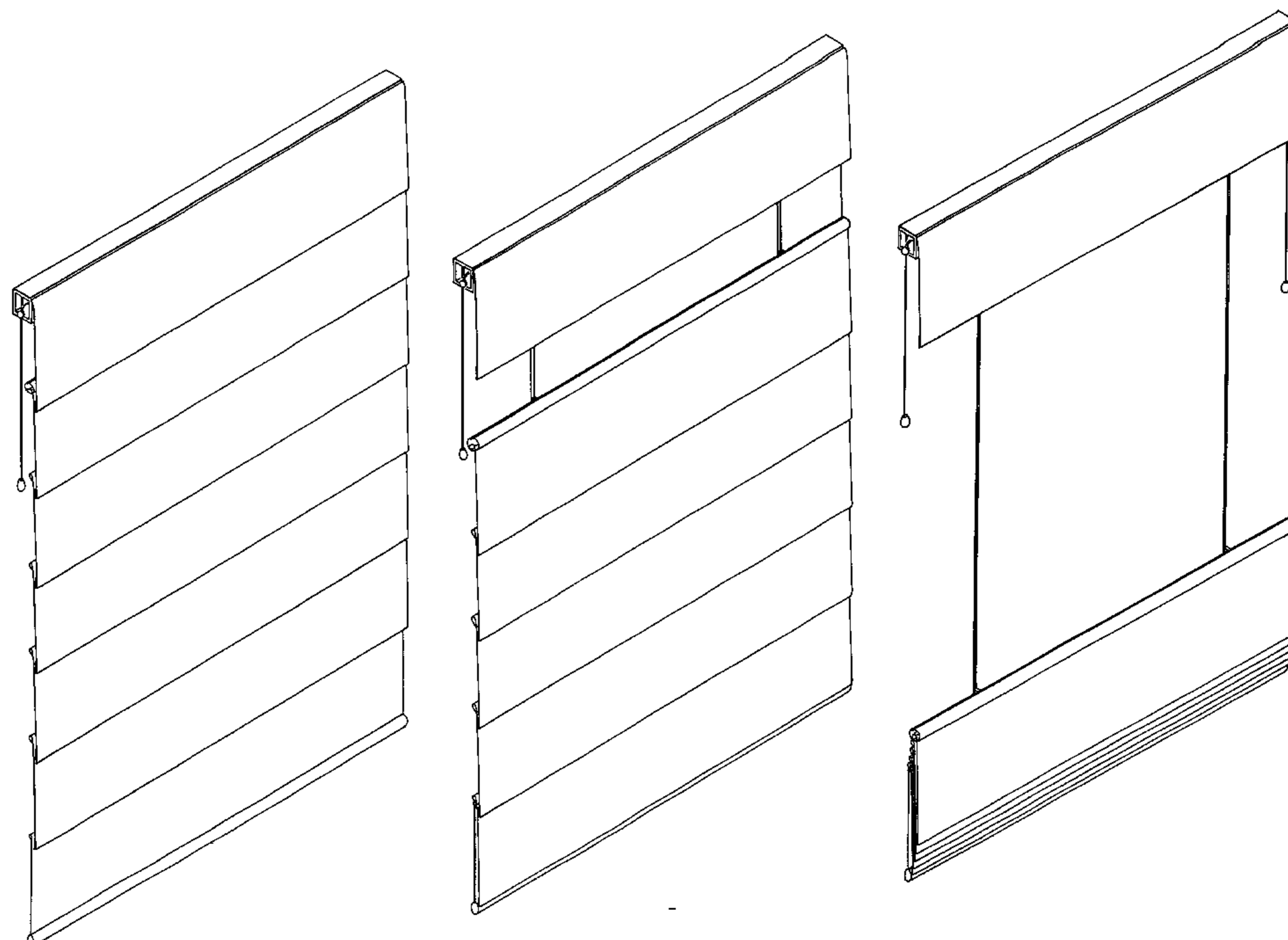
FIG. 10 is a left side elevated view of the window covering of FIG. 1 in a closed position;

FIG. 11 is a right side elevated view of the window covering of FIG. 1 in a closed position;

FIG. 12 is a left side elevated view of the window covering of FIG. 1 in a fully open position; and,

FIG. 13 is a right side elevated view of the window covering of FIG. 1 in a fully open position.

1 Claim, 11 Drawing Sheets



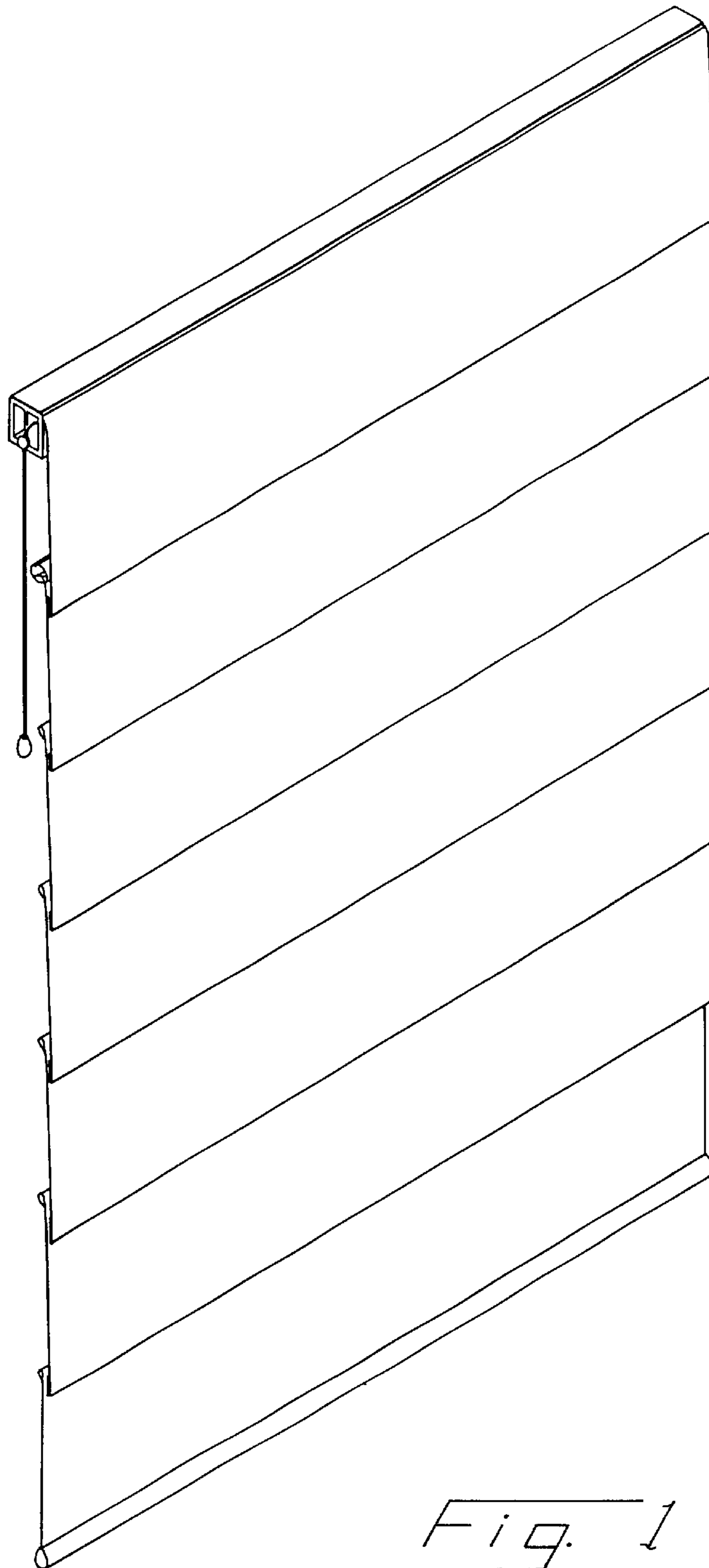


Fig. 1

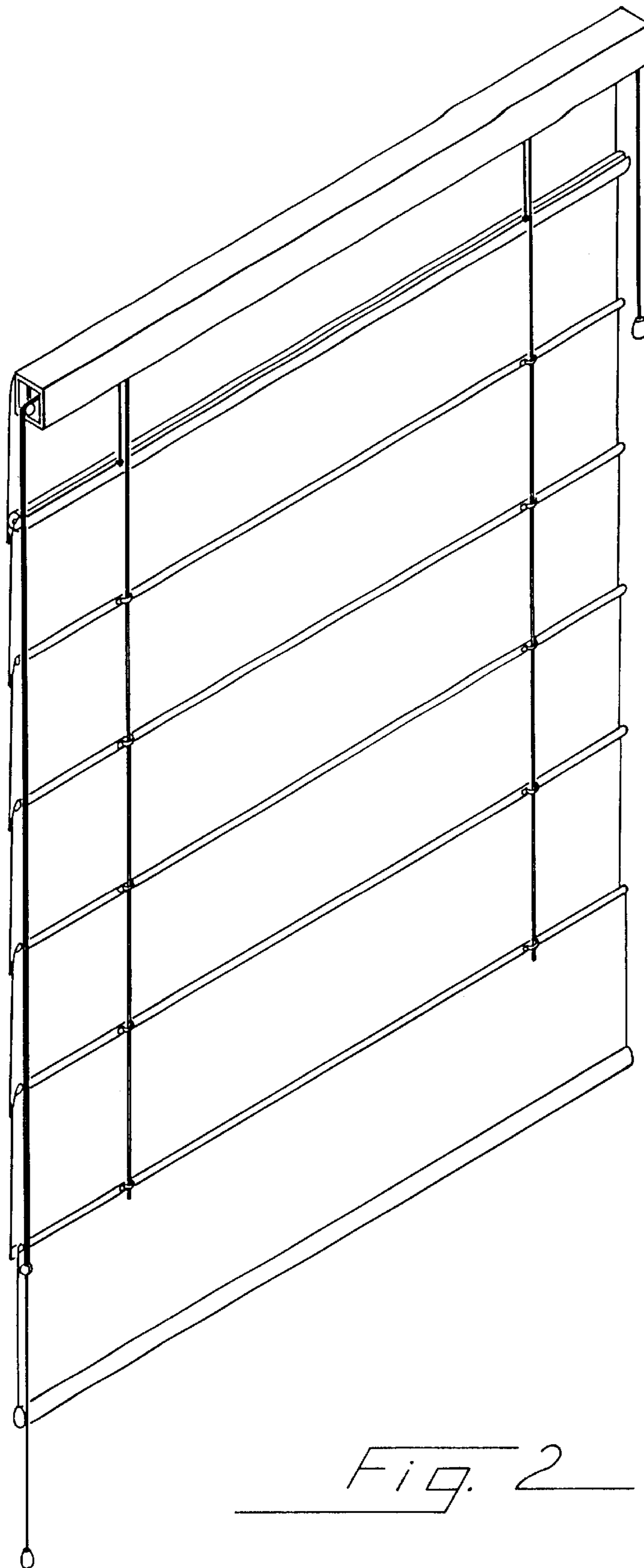


Fig. 2

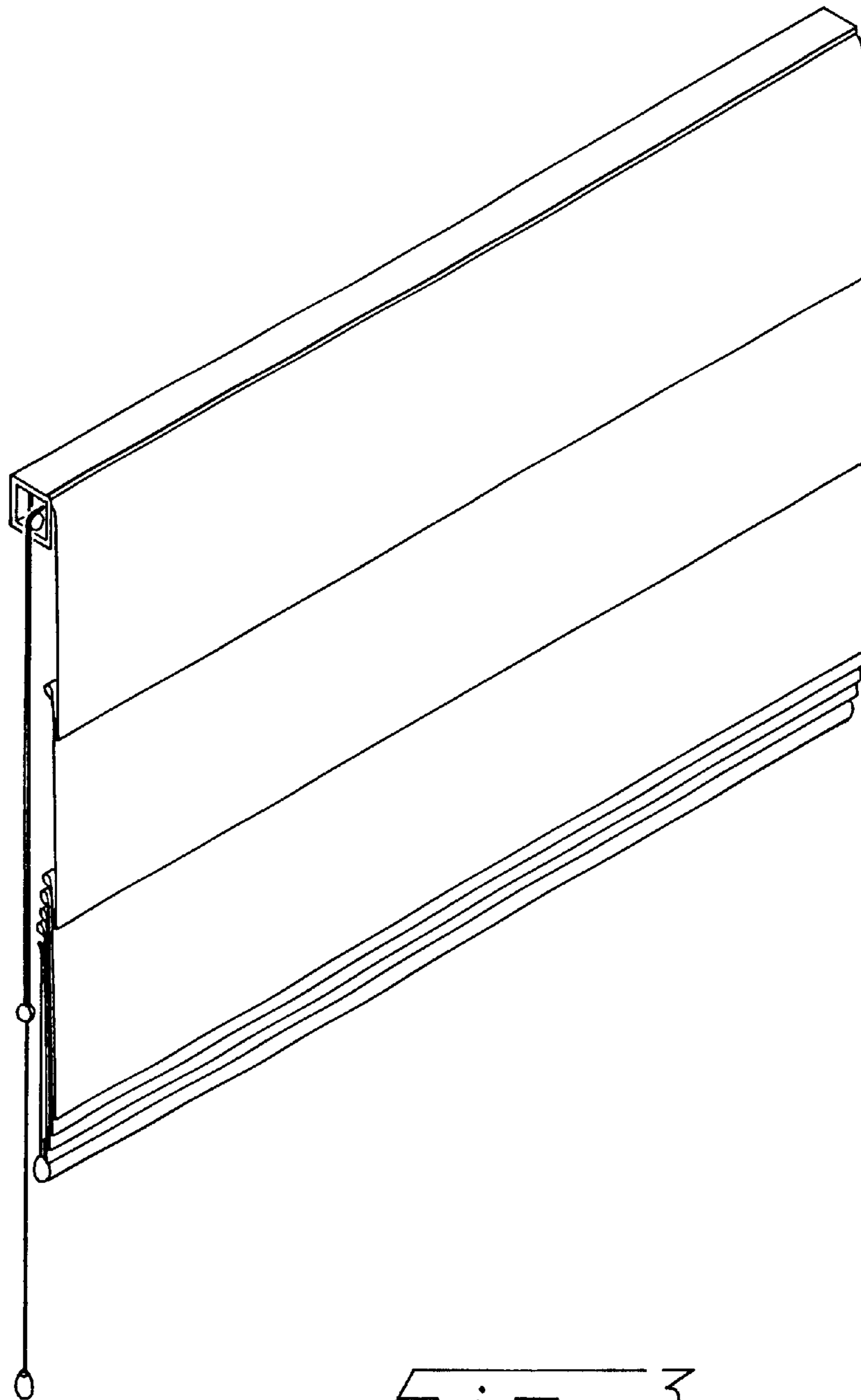


Fig. 3

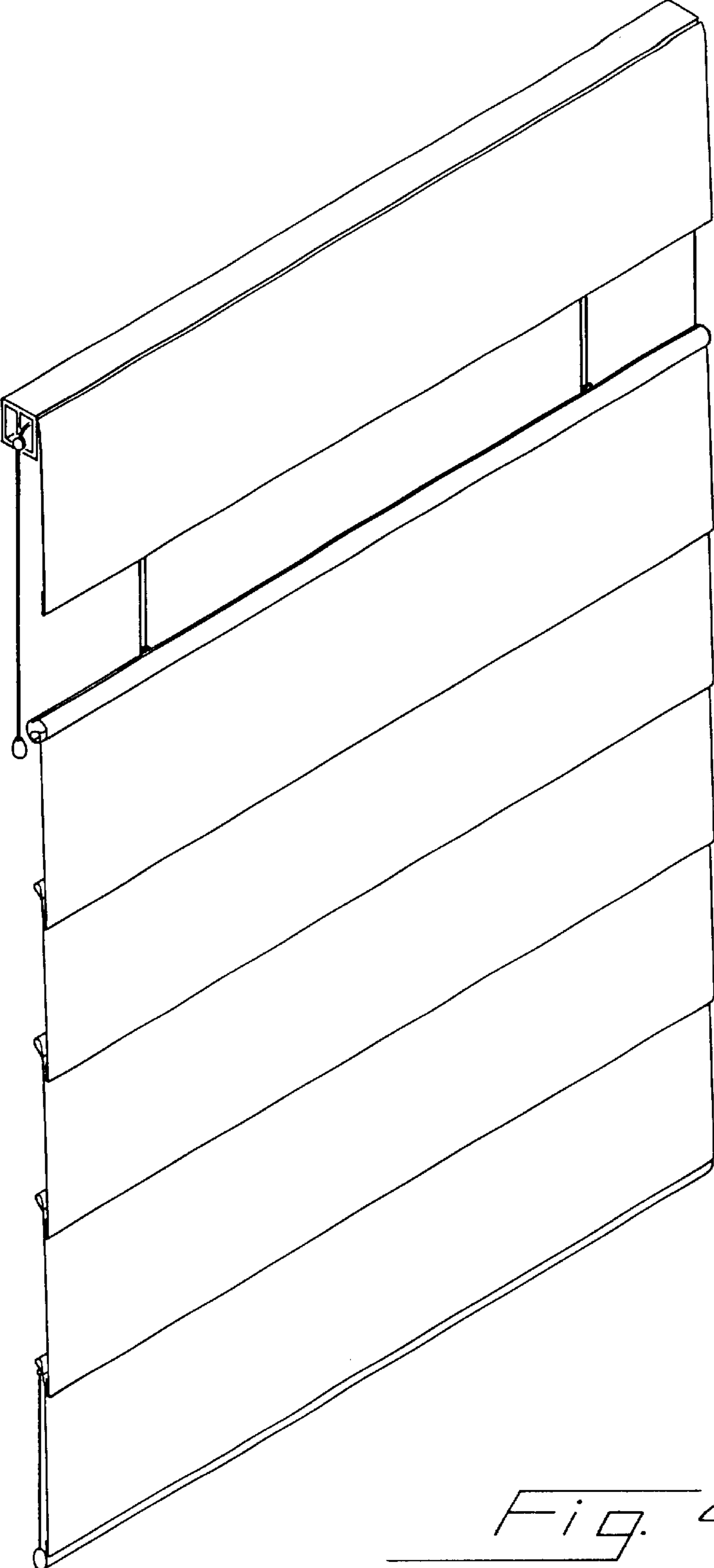


Fig. 4

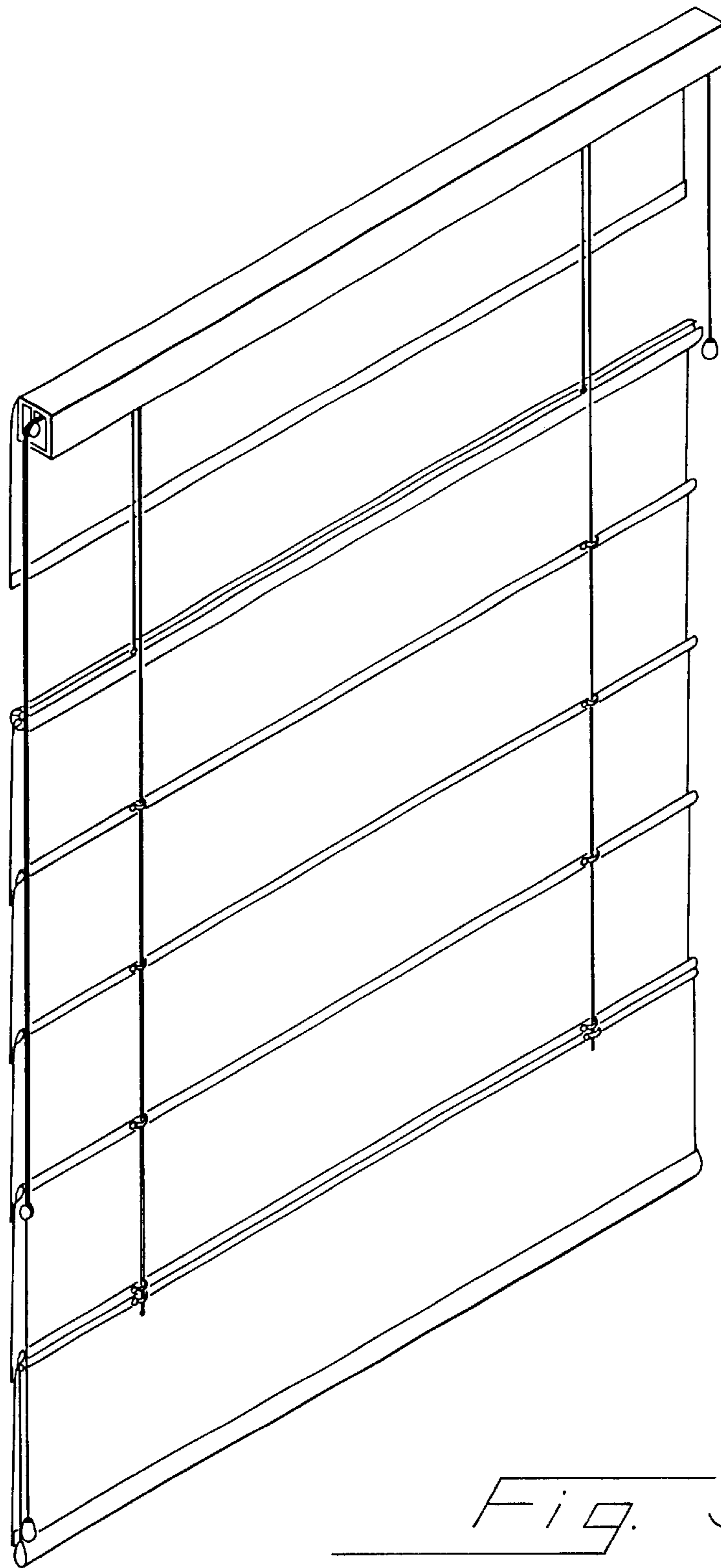


Fig. 5

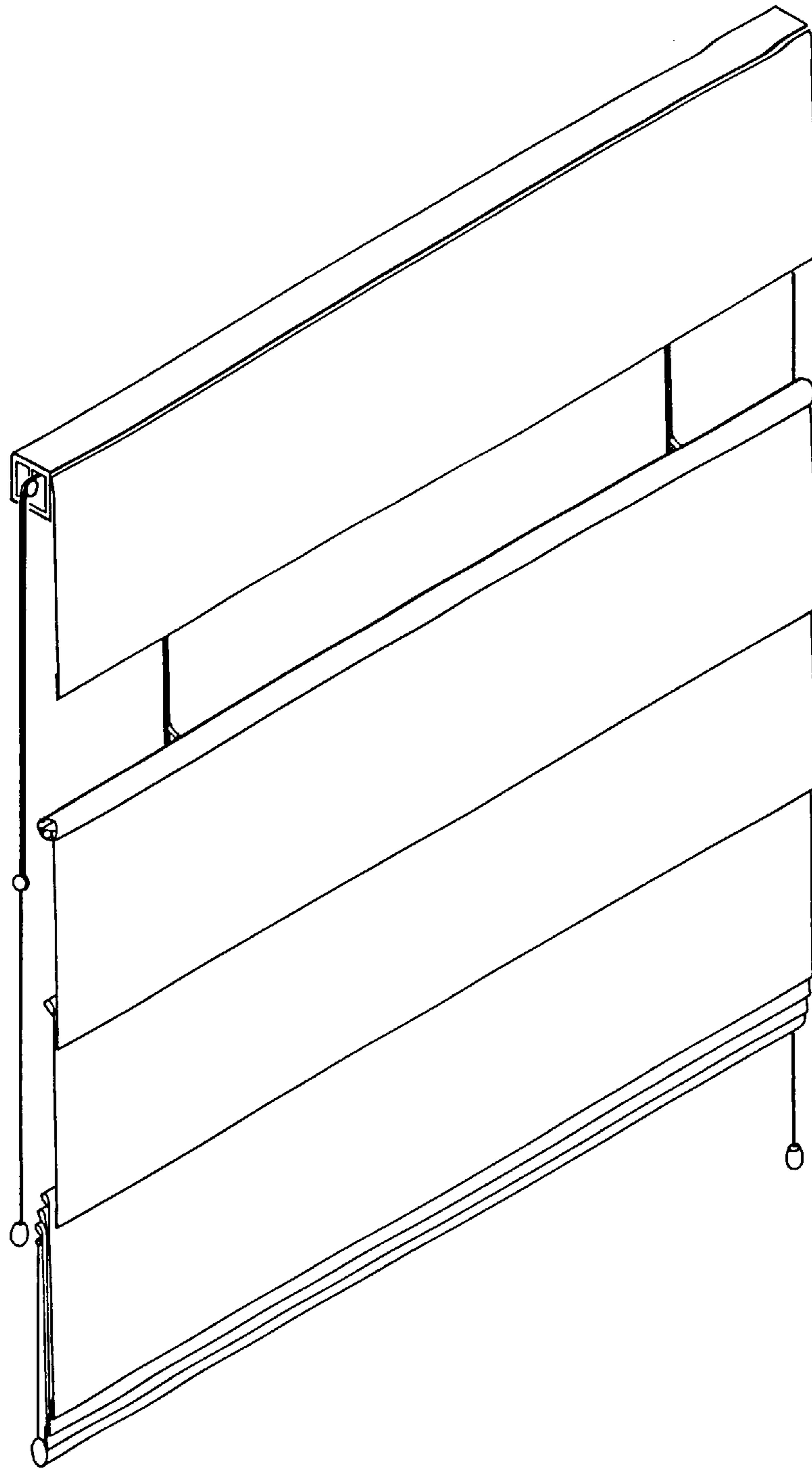


Fig. 6

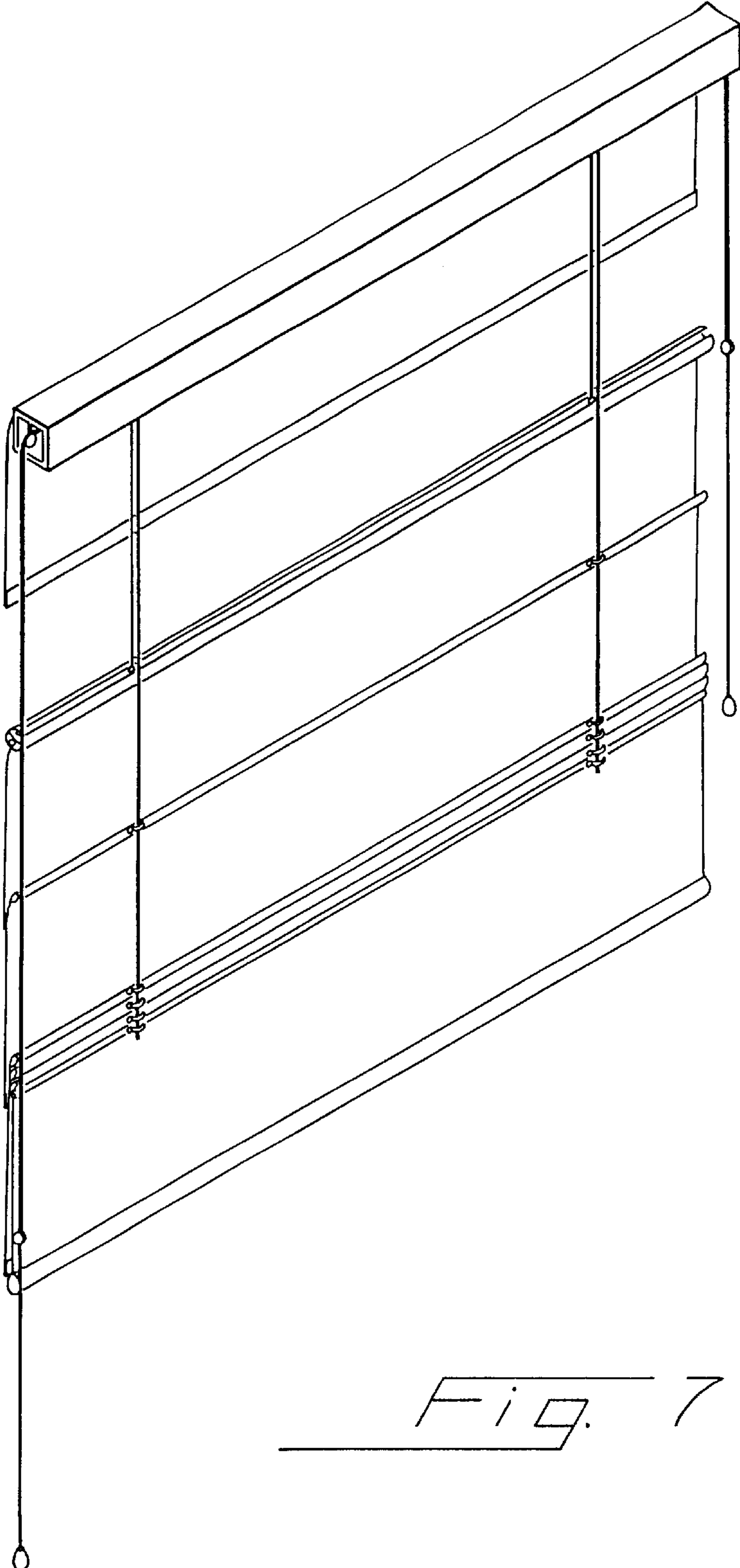


Fig. 7

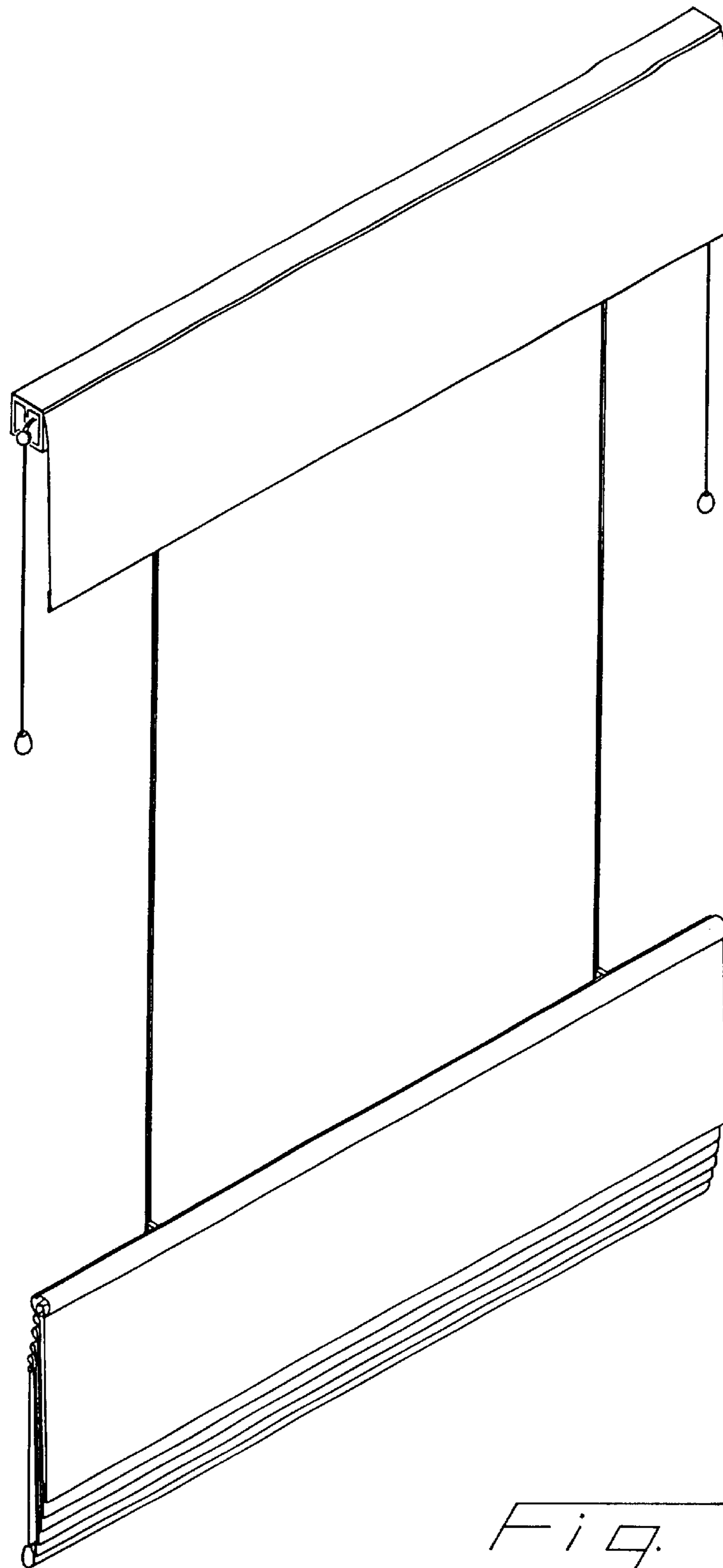


Fig. 8

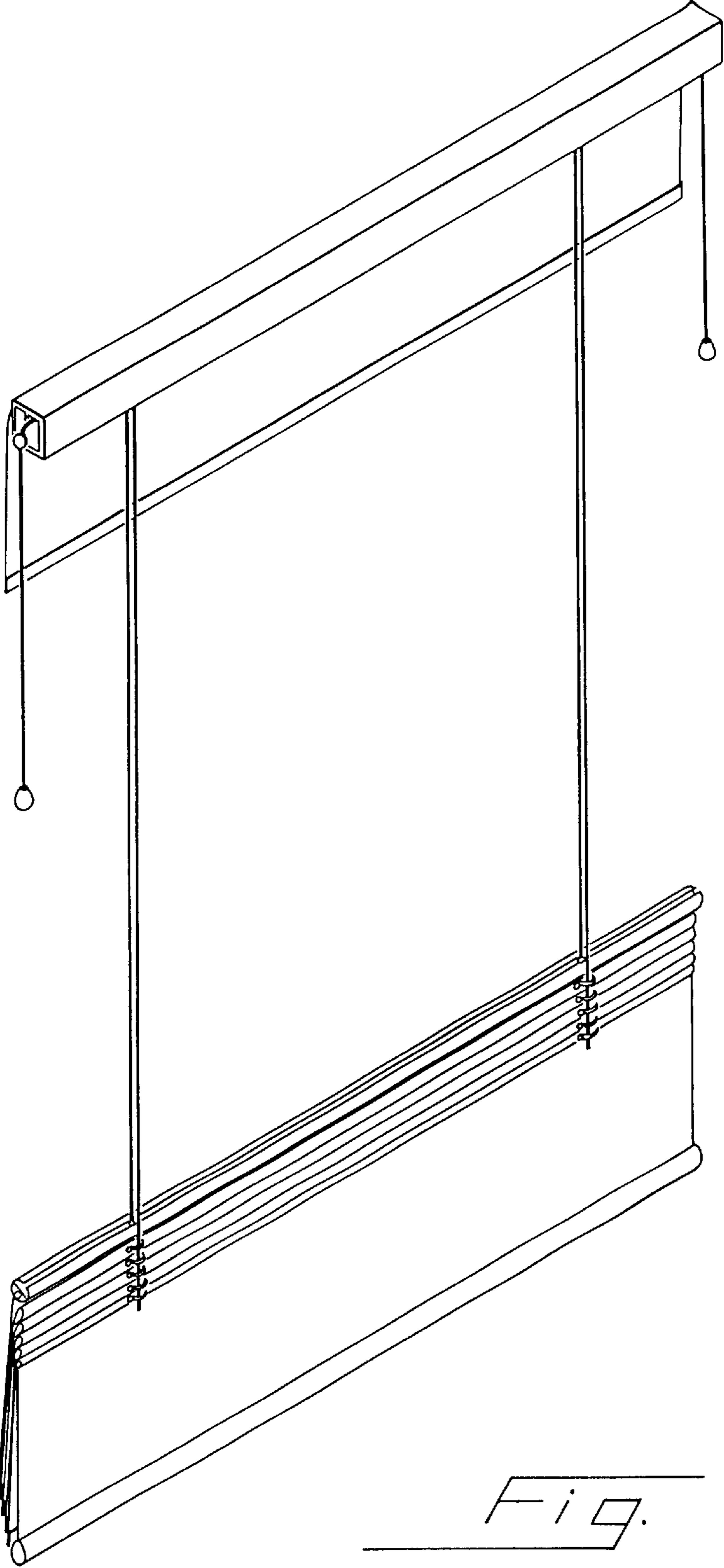


Fig. 9



Fig. 10

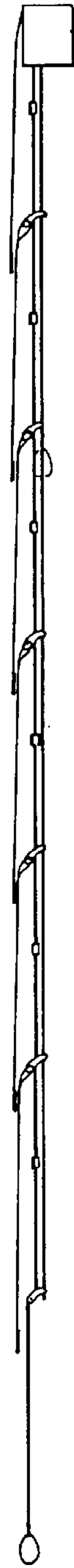


Fig. 11

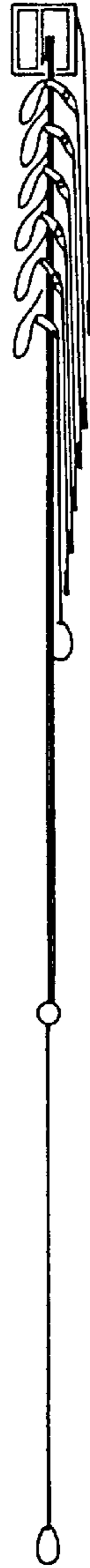


Fig. 12



Fig. 13