



US00D533002S

(12) **United States Design Patent**
Recknagel et al.

(10) **Patent No.:** **US D533,002 S**
(45) **Date of Patent:** **** Dec. 5, 2006**

(54) **HITCHBALL RACK**
(75) Inventors: **Jim Recknagel**, Delafield, WI (US);
Olivier Ginet, Chicago, IL (US);
Michael Sheridan, Lake Villa, IL (US)

(73) Assignee: **Master Lock Company**, Oak Creek,
WI (US)

(**) Term: **14 Years**

(21) Appl. No.: **29/205,096**

(22) Filed: **May 7, 2004**

(51) **LOC (8) Cl.** **06-04**

(52) **U.S. Cl.** **D6/566**

(58) **Field of Classification Search** D6/566,
D6/533; 211/13.1, 32, 41.4, 60.1, 90.03,
211/70.6, 181.1; 206/349; 248/200, 205.1,
248/220.31, 235, 249, 302, 309.1

See application file for complete search history.

5,222,608 A	6/1993	Eklof et al.	
5,257,702 A	11/1993	Grafstein	
5,411,146 A	5/1995	Jarecki et al.	
5,415,297 A	5/1995	Klein et al.	
5,485,929 A	1/1996	Danon	
5,505,315 A	4/1996	Carroll	
5,664,690 A	9/1997	Friesen	
5,671,851 A	9/1997	Johnson et al.	
5,855,282 A	1/1999	Hardy	
6,003,685 A	12/1999	Malin	
D418,349 S	* 1/2000	Schumacher D6/566
6,158,598 A	12/2000	Josefsson	
6,334,540 B1	1/2002	Plutsky	
D461,986 S	* 8/2002	Talley D6/566
D470,394 S	* 2/2003	Harwanko D6/566
6,553,697 B1	4/2003	Pichan	
6,612,448 B1	9/2003	Plutsky	
D483,592 S	* 12/2003	Spanski et al. D6/566
D489,199 S	5/2004	Sargent	
D498,631 S	* 11/2004	Anderson et al. D6/566
6,877,616 B1	4/2005	Plutsky	

* cited by examiner

Primary Examiner—Brian N Vinson

(74) *Attorney, Agent, or Firm*—Calfee, Halter & Griswold
LLP

(56) **References Cited**

U.S. PATENT DOCUMENTS

518,573 A	4/1894	Parker
1,416,969 A	5/1922	O'Connor
1,660,823 A	2/1928	Thometz
2,912,151 A	11/1959	Crabs
3,171,542 A	3/1965	Jacobs et al.
3,173,708 A	3/1965	Machielse et al.
3,534,864 A	10/1970	Larson
3,638,801 A	2/1972	Larson
3,780,873 A	12/1973	Silva
4,023,682 A	5/1977	Niece
4,066,169 A	1/1978	Hochman
4,289,242 A	9/1981	Kenyon
4,474,300 A	10/1984	Entis
4,600,110 A	7/1986	Timor
4,606,464 A	8/1986	Jordan et al.
4,762,299 A	8/1988	Langelier
4,813,535 A	3/1989	Radocha et al.
4,821,894 A	4/1989	Dechiro
5,082,125 A	1/1992	Ninni
5,088,606 A	2/1992	Boas
5,114,021 A	5/1992	Fredrickson

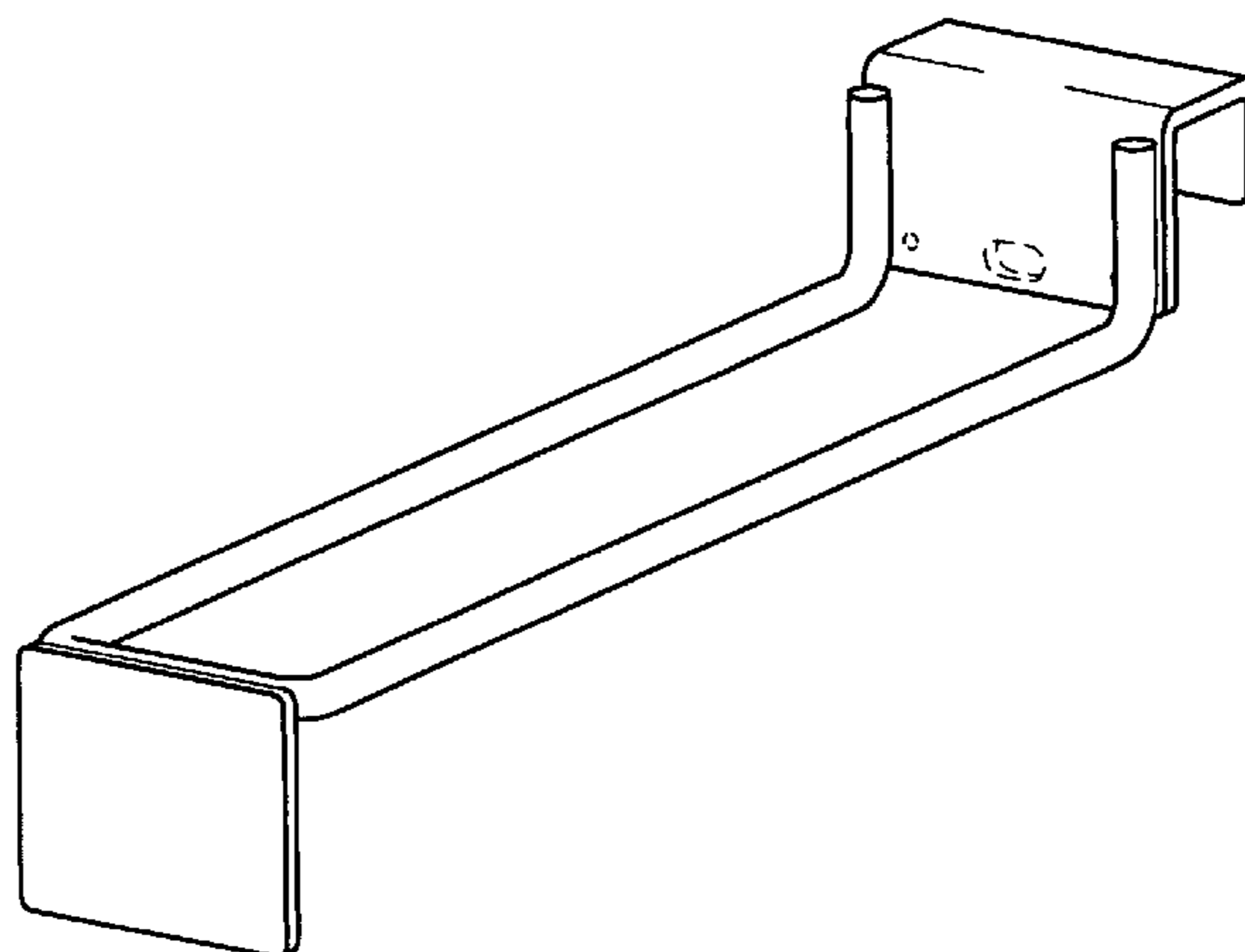
(57) **CLAIM**

The ornamental design for a hitchball rack, as shown and described.

DESCRIPTION

FIG. 1 is a perspective view of a hitchball rack showing our new design;
FIG. 2 is a front view of the hitchball rack of FIG. 1;
FIG. 3 is a back view of the hitchball rack of FIG. 1;
FIG. 4 is a side view of the hitchball rack of FIG. 1;
FIG. 5 is a side view of the hitchball rack of FIG. 1;
FIG. 6 is a top view of the hitchball rack of FIG. 1; and,
FIG. 7 is a bottom view of the hitchball rack of FIG. 1.
The broken-line disclosure in the views is understood to represent unclaimed subject matter forming no part of the claimed design.

1 Claim, 2 Drawing Sheets



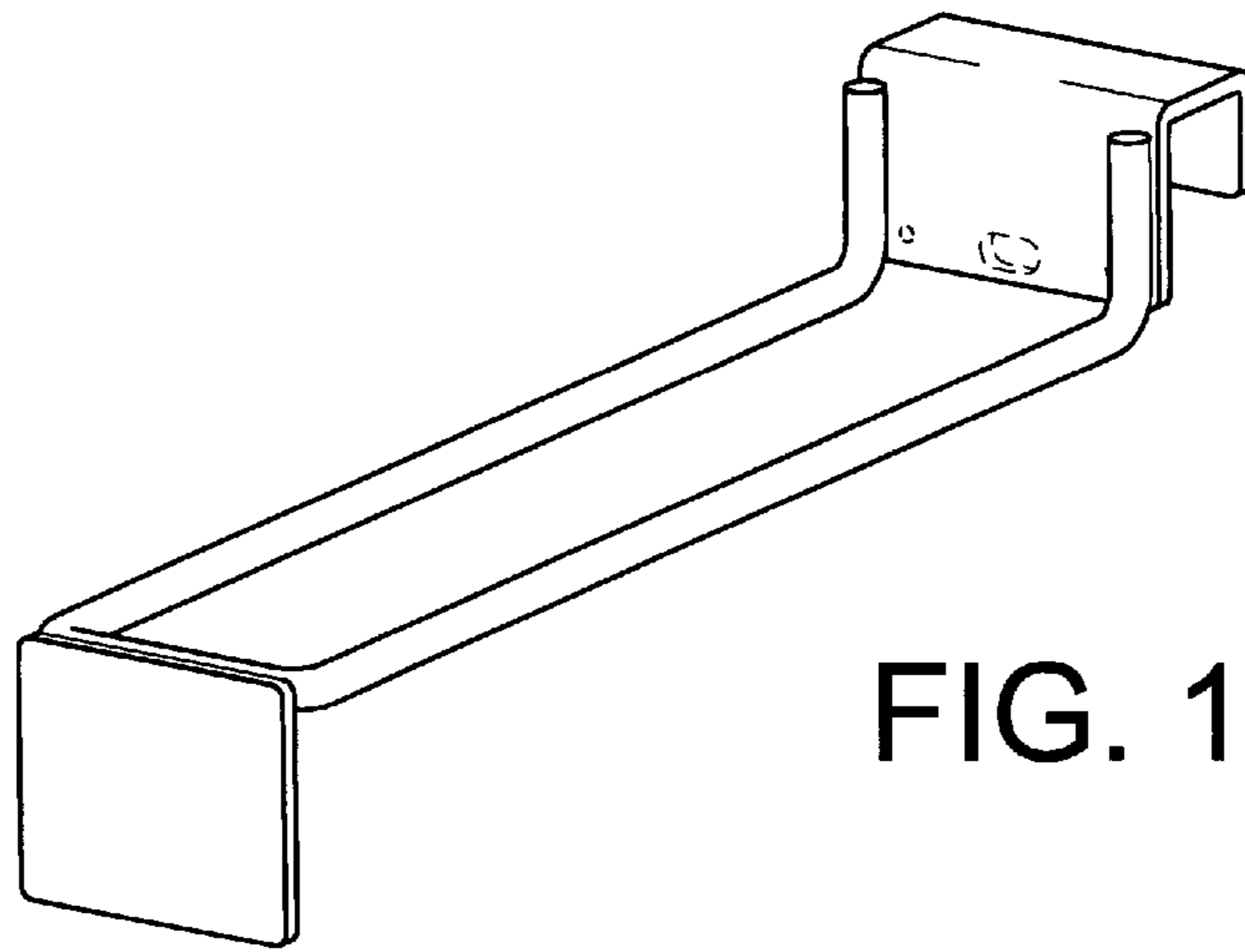


FIG. 1

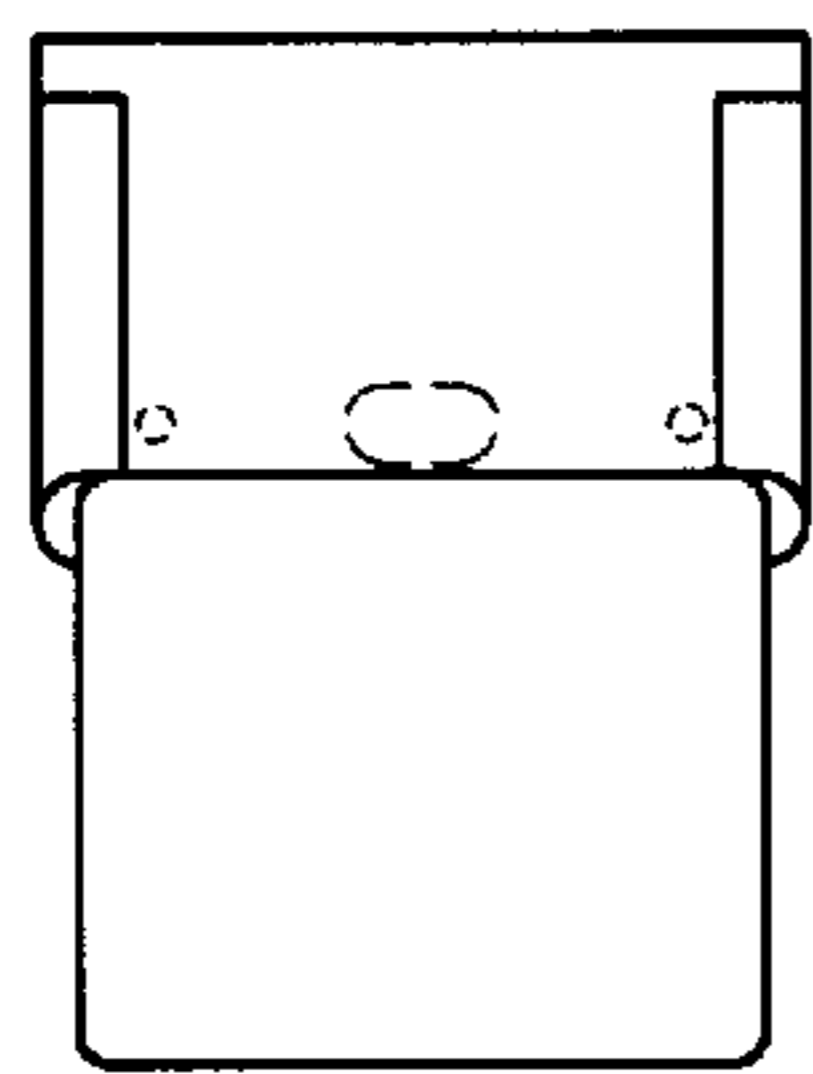


FIG. 2

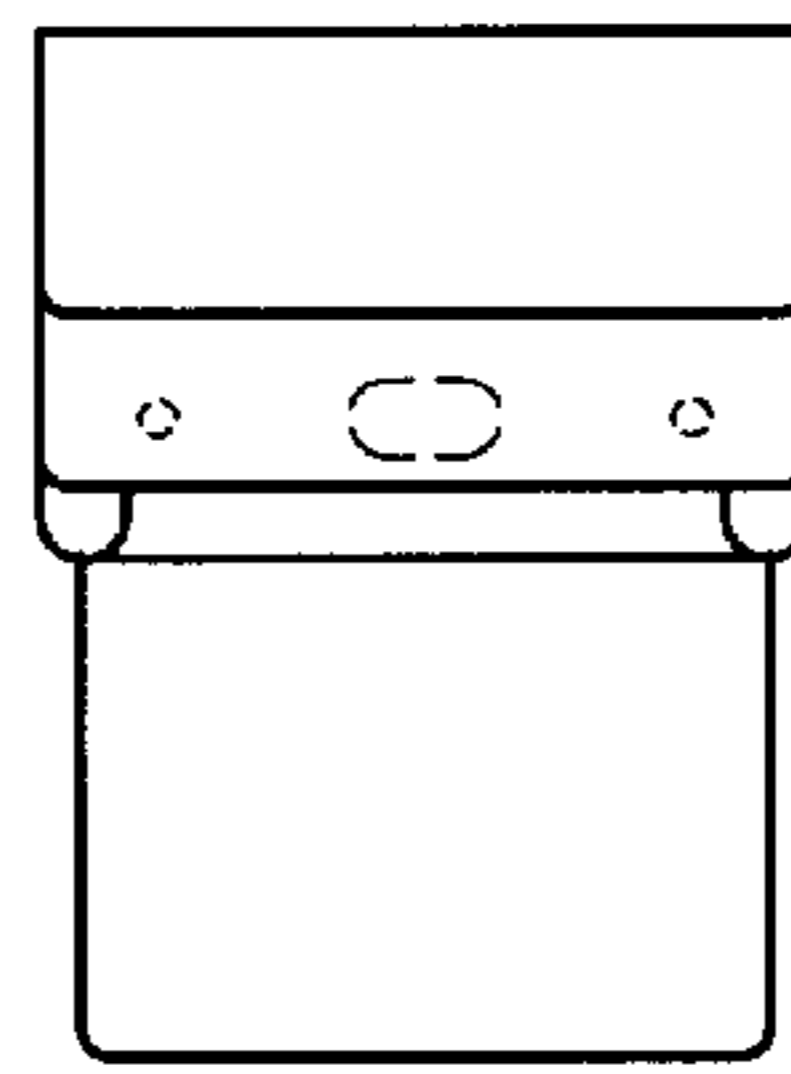


FIG. 3

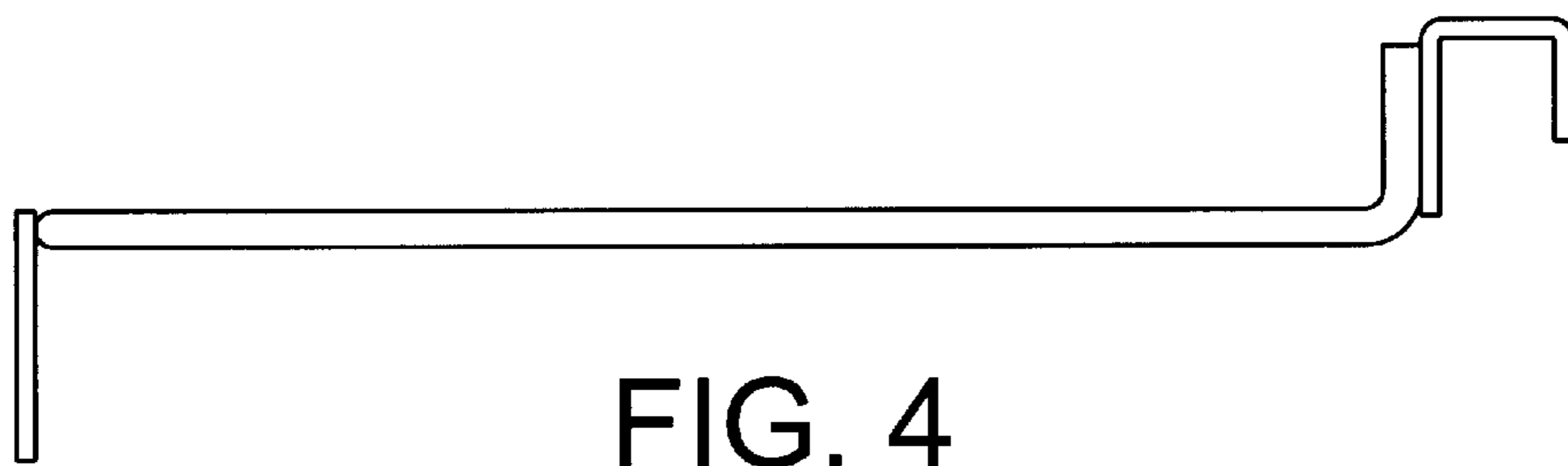


FIG. 4

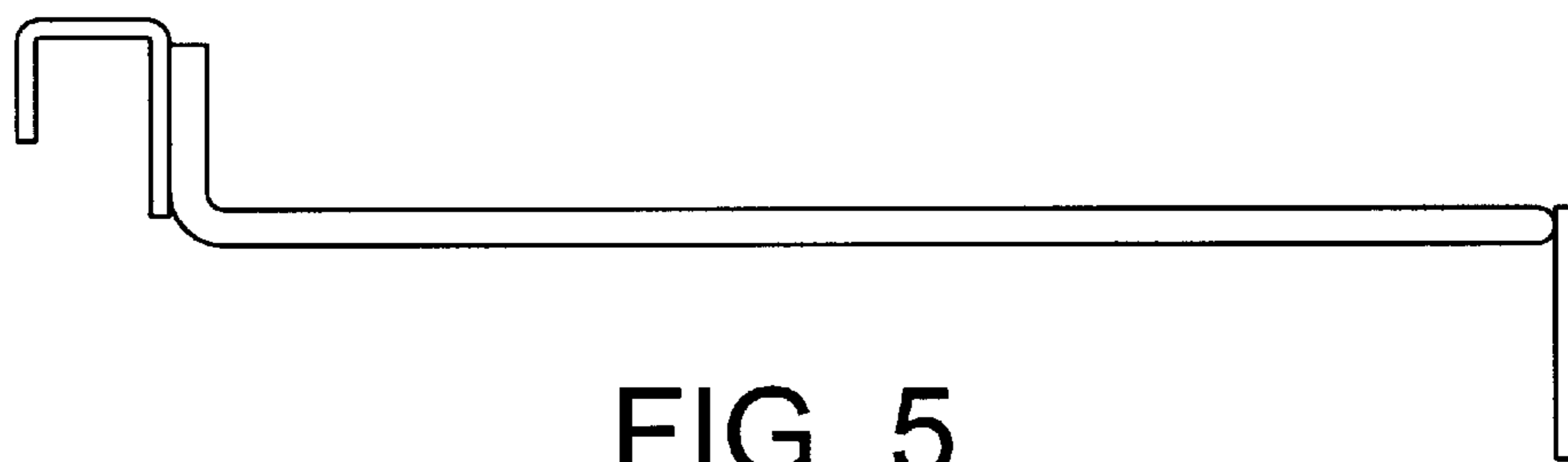


FIG. 5

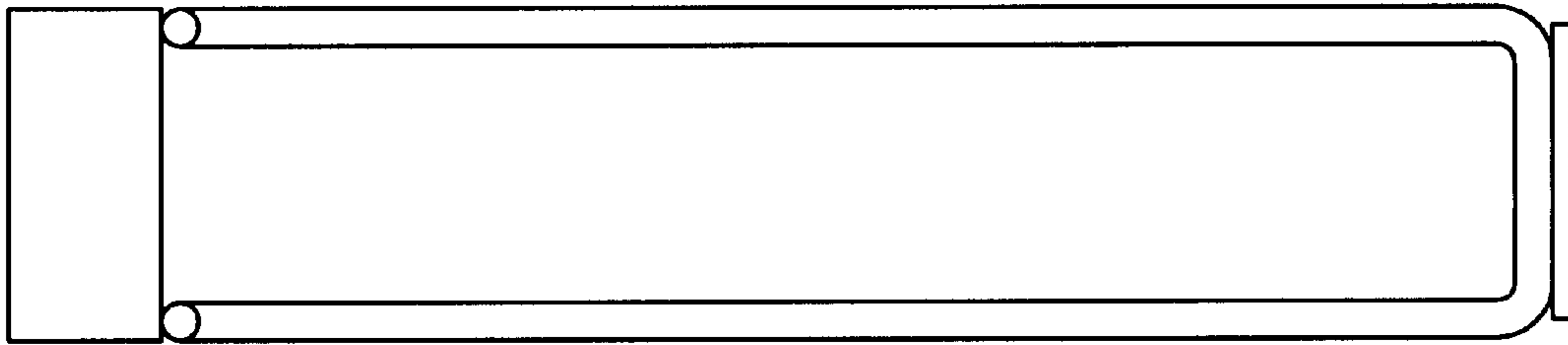


FIG. 6

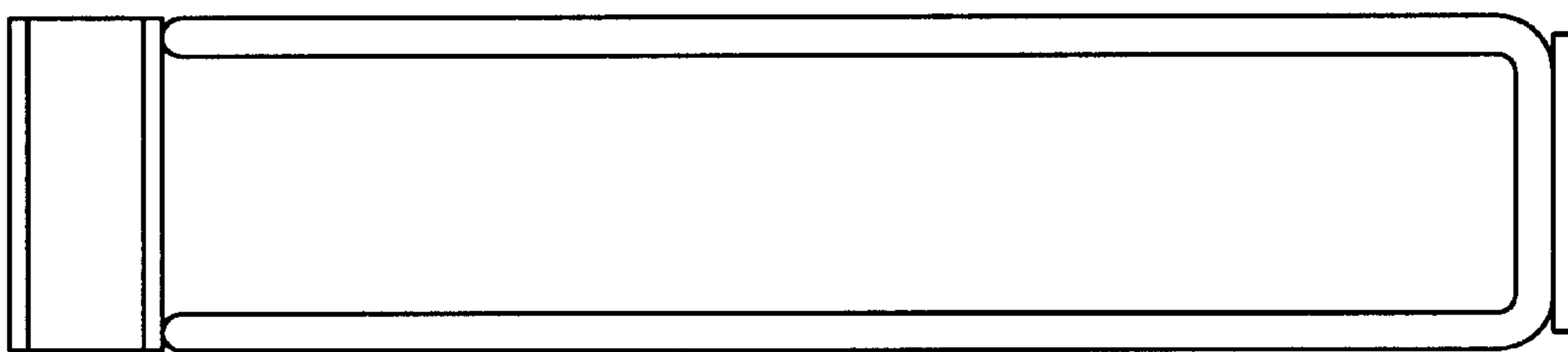


FIG. 7