



US00D532999S

(12) **United States Design Patent** (10) **Patent No.:** **US D532,999 S**
Domack et al. (45) **Date of Patent:** **** Dec. 5, 2006**

- (54) **COCKTAIL TABLE**
- (75) Inventors: **Randy D. Domack**, Trempealeau, WI (US); **Terry A. Everson**, Blair, WI (US)
- (73) Assignee: **Ashley Furniture Industries, Inc.**, Arcadia, WI (US)
- (**) Term: **14 Years**
- (21) Appl. No.: **29/225,673**
- (22) Filed: **Mar. 18, 2005**
- (51) **LOC (8) Cl.** **06-03**
- (52) **U.S. Cl.** **D6/480; 436/440**
- (58) **Field of Classification Search** D6/480-489, D6/495, 511, 429, 430, 436, 440; 108/153.1, 108/155, 156, 157.1, 161, 33, 34, 37, 38, 108/40; 248/188, 188.1, 188.8
See application file for complete search history.

(56) **References Cited**

U.S. PATENT DOCUMENTS

D59,058 S 9/1921 Bergstrom
D59,059 S 9/1921 Bergstrom

(Continued)

OTHER PUBLICATIONS

American of Martinsville, May 11, 1983, console at top.*
 Broyhill Furniture, "Urban View: Rectangular Storage Cocktail Table", www.broyhillfurn.com/Index.asp?Action=ProductCatalogItemDetails&CollectionID.
 Broyhill Furniture, www.broyhillfurn.com/interface/style1/images/broyhill/anhoc01-oc2317-1g.jpg.
 Broyhill Furniture, "Anhurst Rectangular Cocktail Table", www.broyhillfurn.com/Index.asp?Action=ProductCatalogItemDetails&CollectionID.
 Broyhill Furniture, www.broyhillfurn.com/interface/style1/images/broyhill/twoc-main-oc2319-1g.jpg.

Broyhill Furniture, "Tropical Retreat: Storage Cocktail Table", www.broyhillfurn.com/Index.asp?Action=ProductCatalogItemDetails&CollectionID.
 Century Furniture, "The Town & Country Collection 421-721 Huntboard", www.centuryfurniture.com/product-catalog/Items/ShowItem.aspx?CG_Item=421-721.
 Century Furniture, "The Silk Road Collection 501-706 Barkol Window Chest", www.centuryfurniture.com/productcatalog/Items/ShowItem.aspx?CG_Item=501-706.
 Henredon, www.henredon.com/images/Big/6911-40.jpg.
 Henredon, www.henredon.com/images/Big/6904-40-97.jpg.
 Henredon, www.henredon.com/images/Big/3002-40.jpg.
 Lexington, www.lexington.com/images_hires/Tommy_Bahama/516-945_942.jpg.

(Continued)

Primary Examiner—Janice E. Seeger
(74) *Attorney, Agent, or Firm*—Patterson, Thunte, Skaar & Christensen, P.A.

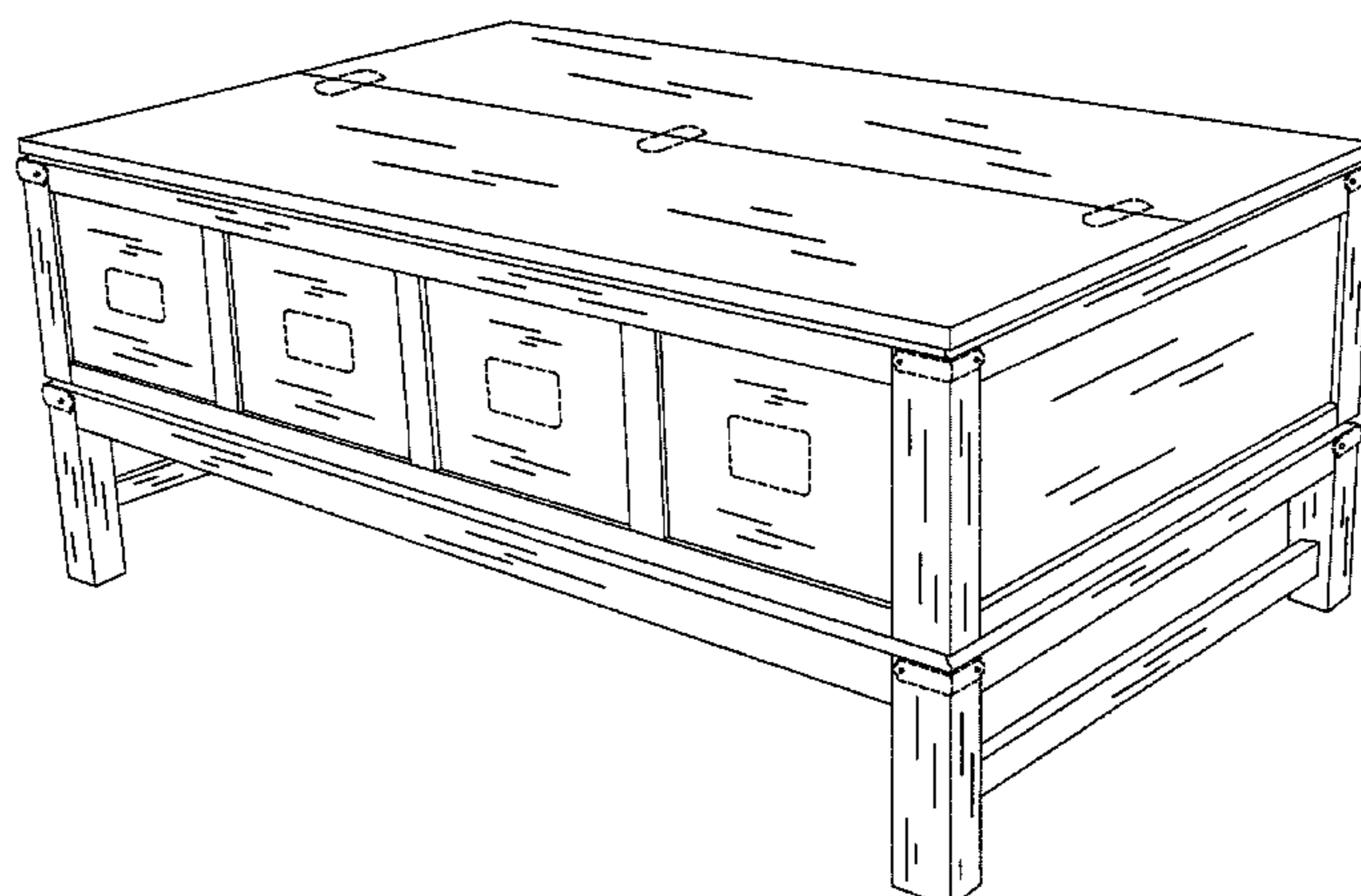
(57) **CLAIM**

We claim the ornamental design for a cocktail table, as shown and described.

DESCRIPTION

FIG. 1 is a perspective view of a cocktail table according to an embodiment of the invention.
 FIG. 2 is a front elevational view of a cocktail table according to an embodiment of the invention.
 FIG. 3 is a side elevational view of a cocktail table according to an embodiment of the invention. The elevational view of the opposite side being a mirror image thereof.
 FIG. 4 is a top plan view of a cocktail table according to an embodiment of the invention.
 FIG. 5 is a back elevational view of a cocktail table according to an embodiment of the invention; and,
 FIG. 6 is a perspective view of a cocktail table with the table top shown in a raised position, according to an embodiment of the invention.
 The dashed lines represent environmental elements only and form no part of the claimed design.

1 Claim, 4 Drawing Sheets



U.S. PATENT DOCUMENTS

D147,806 S * 11/1947 Nieman D6/488
D343,969 S 2/1994 Ball
D429,915 S * 8/2000 Hazen et al. D6/432
D437,507 S 2/2001 Hazen et al.
D458,771 S * 6/2002 Maitland-Smith D6/480
D493,049 S 7/2004 Domack

OTHER PUBLICATIONS

Lexington Home Brands, "Tommy Bahama Cabana Cocktail Table", www.lexington.com/ProductDetail.cfm?collection=66&room=0&furtype=12&nam.

Thomasville Furniture Ind., "Four Corners: Valencia Storage Cocktail Table", www.thomasville.com/Products/Product.asp?ItemID=3947.

Website Picture, <http://www.storehouse.com/store/proding/20B/Enlarged/2974.jpg>, Oct. 25, 2004, p. 1.

Website Picture, <http://www.storehouse.com/store/proding/10V/Enlarged/V-1-140-01.jpg>, Oct. 25, 2004, p. 1.

Advertisement, Havartys, p. 1-3, Date Unknown.

Ashley Catalog Photograph, Baha, T754-20-MAG, (2003), p. 379.

Ashley Catalog Photograph, Garnet Hill, T755-1-3-4, (2003), p. 380.

* cited by examiner

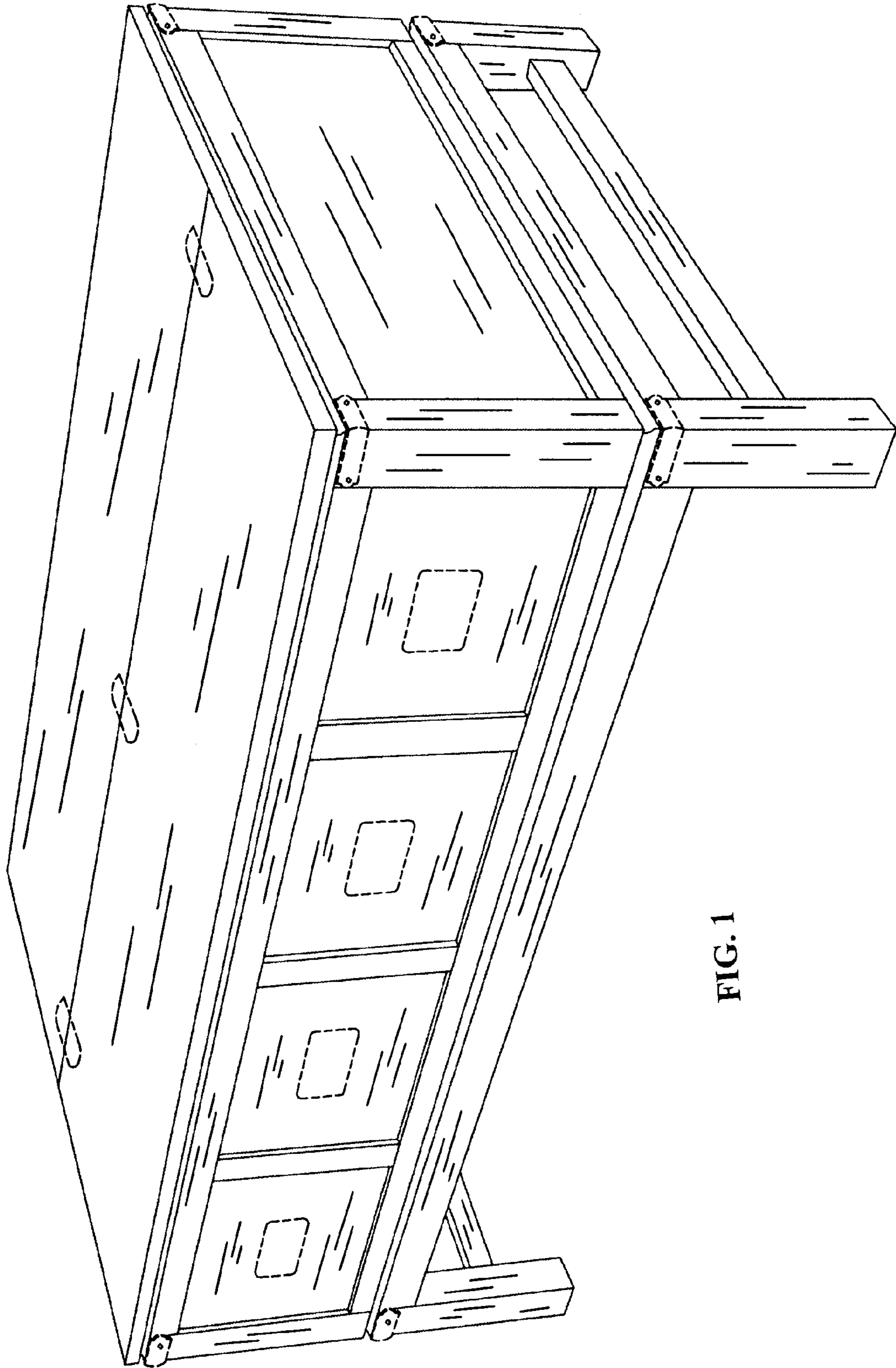


FIG. 1

FIG. 4

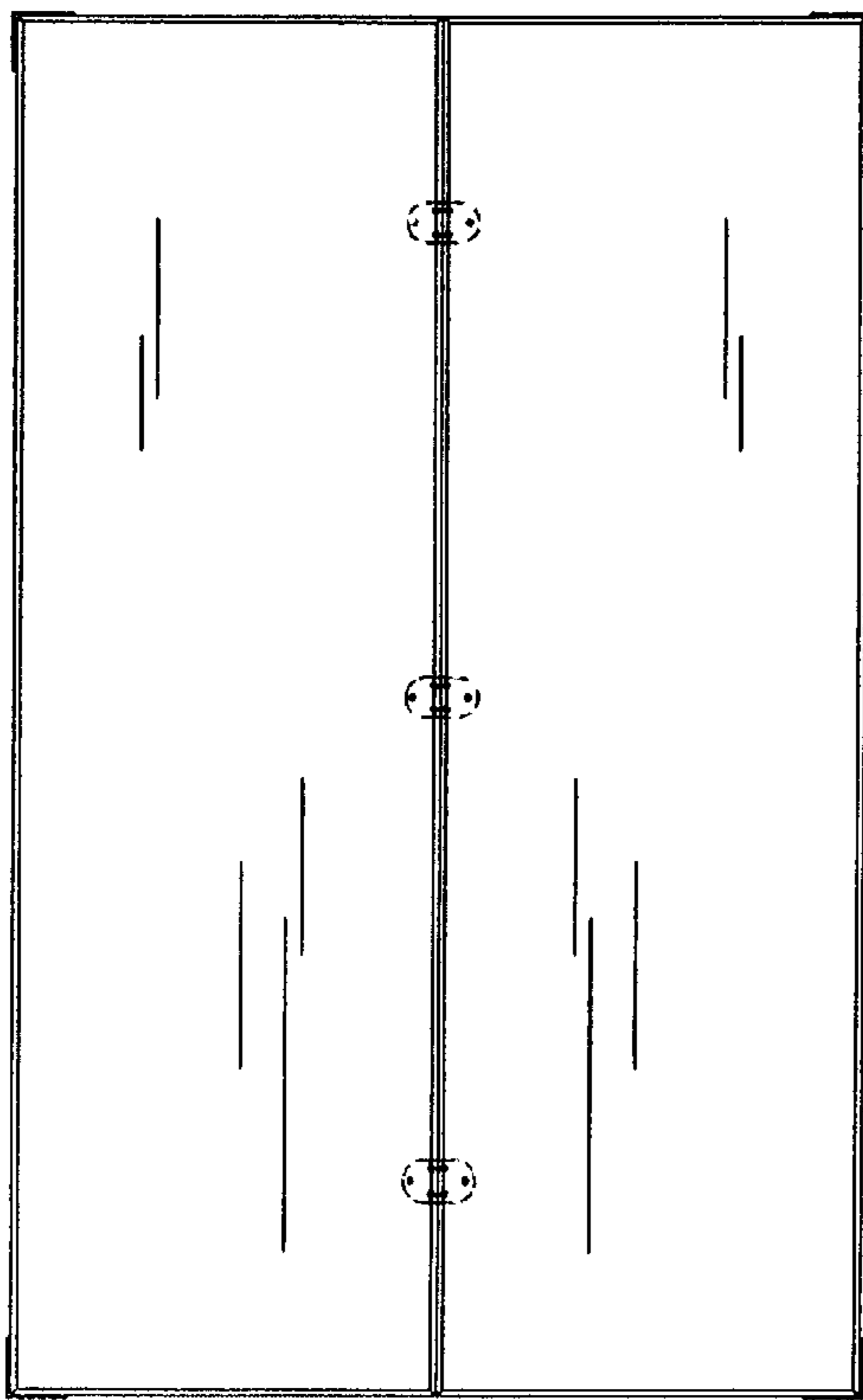


FIG. 2

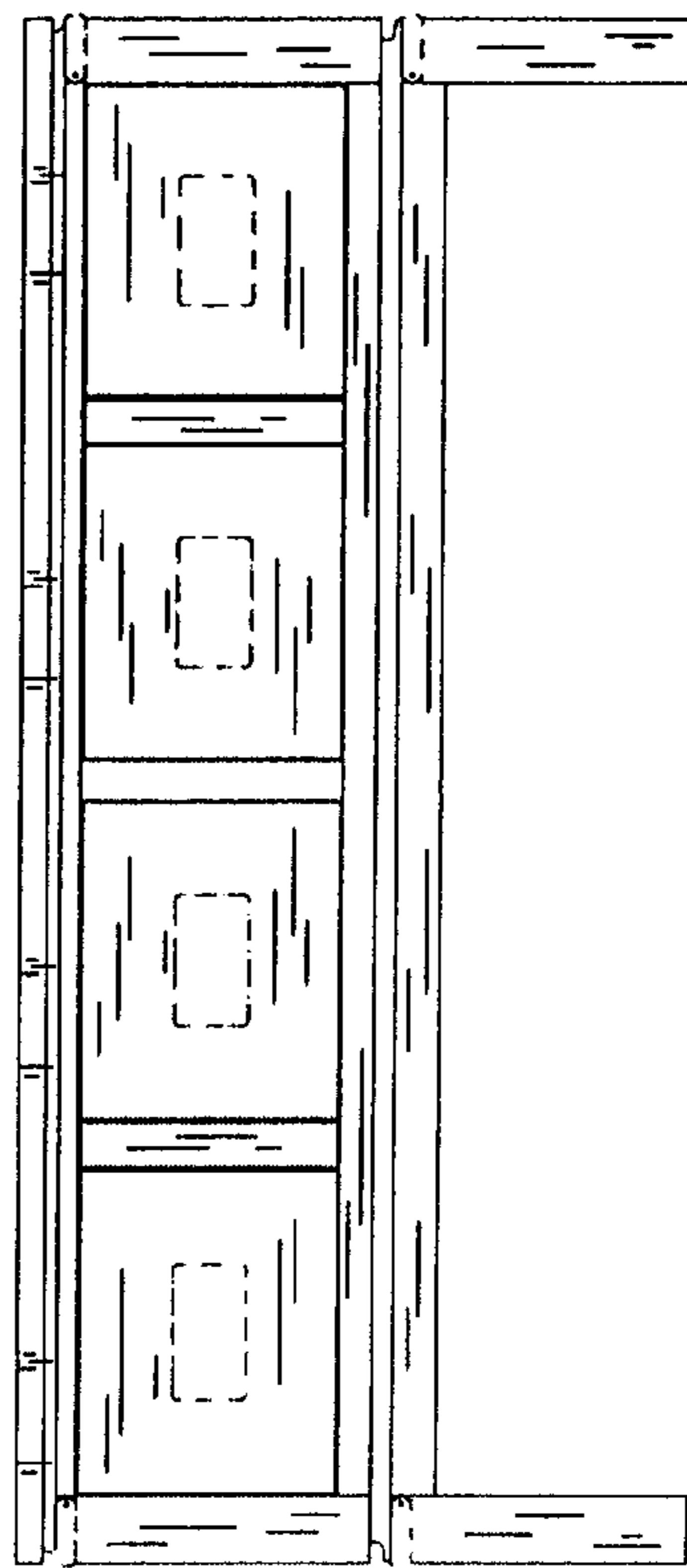
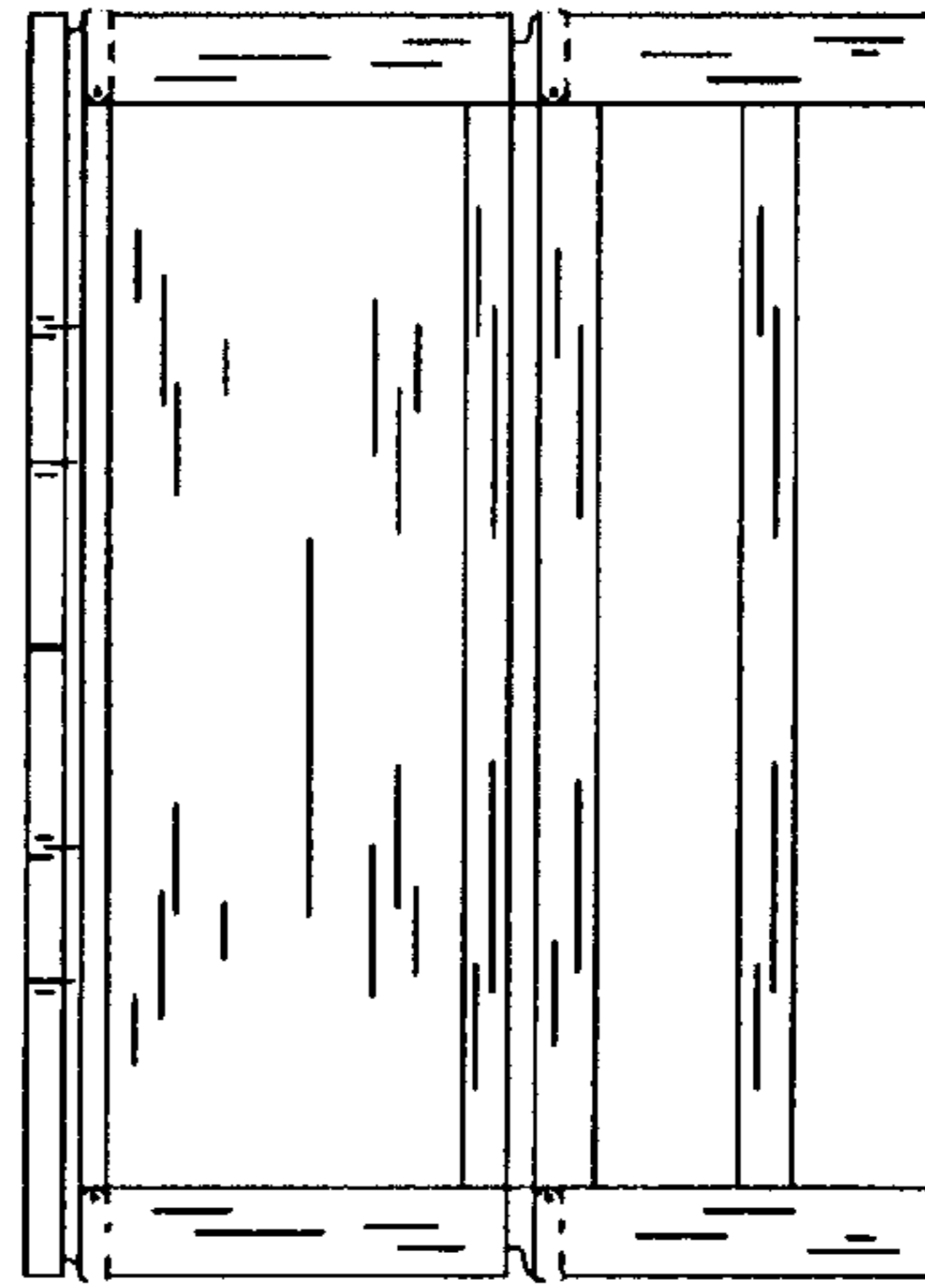


FIG. 3



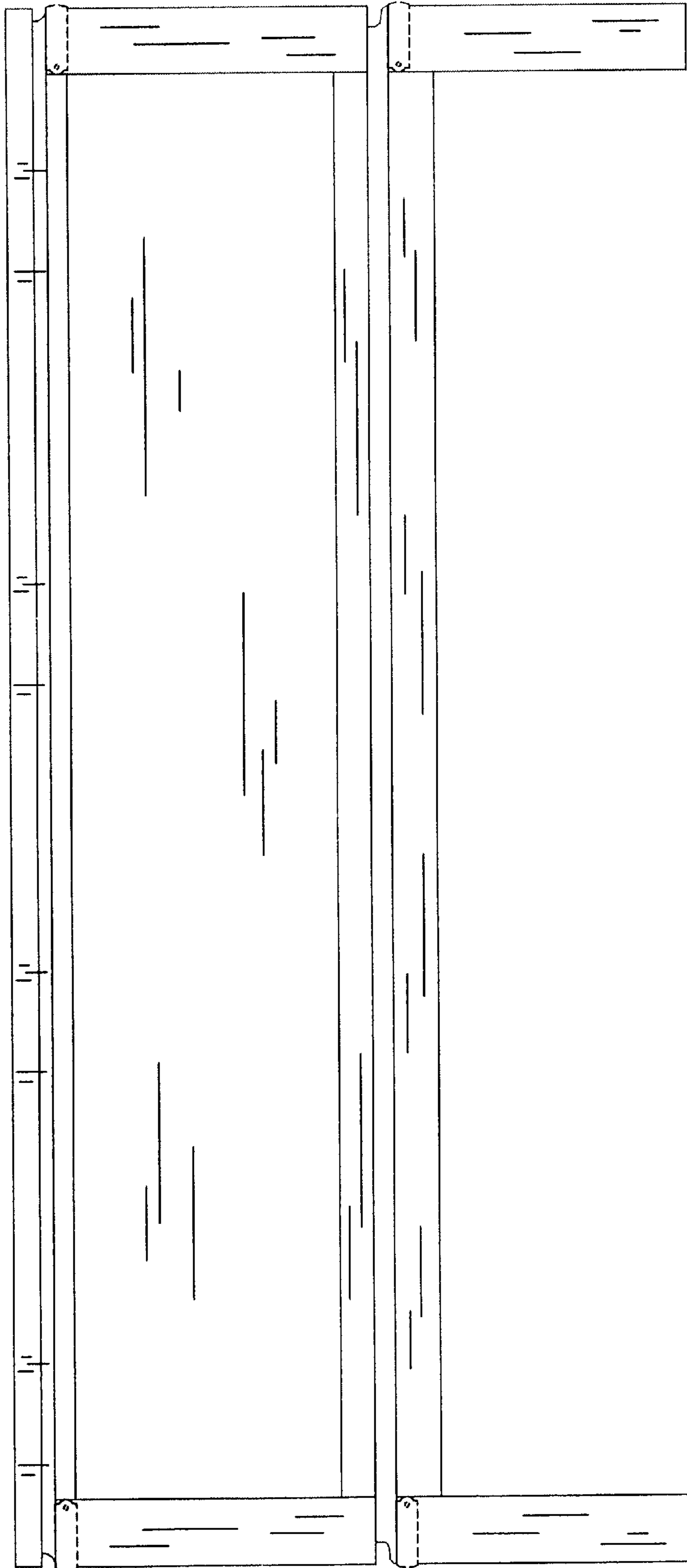


FIG. 5

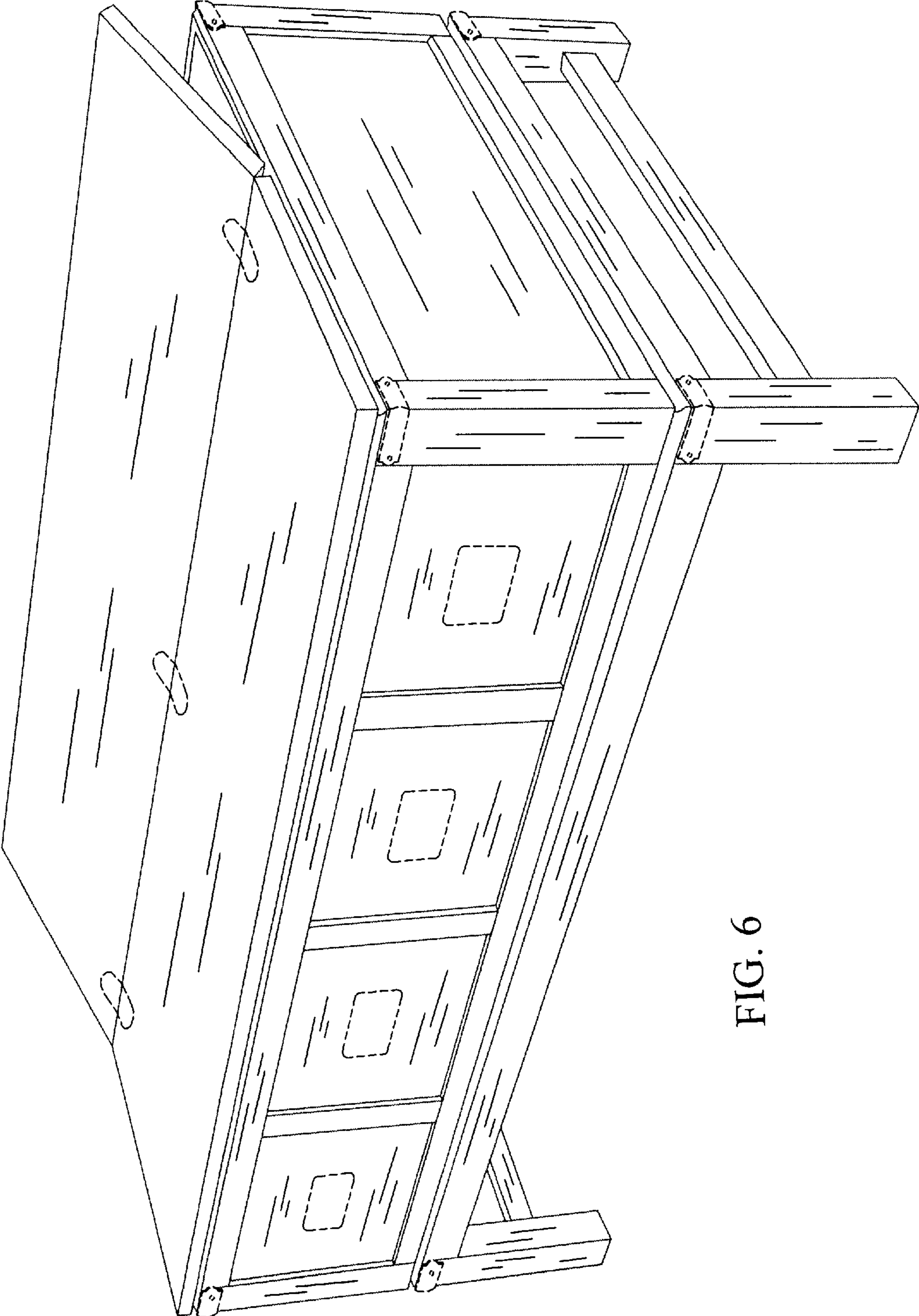


FIG. 6