



US00D532995S

(12) **United States Design Patent**
Dorazio

(10) **Patent No.:** **US D532,995 S**
(45) **Date of Patent:** **** Dec. 5, 2006**

(54) **ROTATABLE HOLDER FOR RELEASIBLE SECUREMENT OF FOUR ELECTRONIC REMOTE CONTROL UNITS**

6,595,375 B1 * 7/2003 McConnell 211/70.6
D494,775 S * 8/2004 Birmingham D6/456
6,808,077 B1 * 10/2004 McConnell 211/70.6

(76) Inventor: **Frank Dorazio**, 8581 Sunview La.,
Richmond, VA (US) 23235

* cited by examiner

(**) Term: **14 Years**

Primary Examiner—Janice E. Seeger

Assistant Examiner—Sydney R. Buffalow

(74) *Attorney, Agent, or Firm*—Norman B. Rainer

(21) Appl. No.: **29/224,410**

(57) **CLAIM**

(22) Filed: **Mar. 2, 2005**

The ornamental design for a rotatable holder for releasible securement of four electronic remote control units, as shown and described.

(51) **LOC (8) Cl.** **06-07**

(52) **U.S. Cl.** **D6/467**

(58) **Field of Classification Search** D6/467,
D6/466, 456, 455; 211/70.6, 164, 70, 69,
211/1.53, DIG. 1, 95, 163, 165, 144, 131.1,
211/131.2, 129, 170, 78; 248/206.5, 205.2,
248/176

DESCRIPTION

See application file for complete search history.

FIG. 1 is a perspective top and side view of a rotatable holder for releasible securement of four electronic remote control units showing my new design;

FIG. 2 is a side view thereof in association with electronic remote control units shown in broken outline and not a part of this invention, the unshown opposite side being of identical appearance;

FIG. 3 is a top view thereof; and,

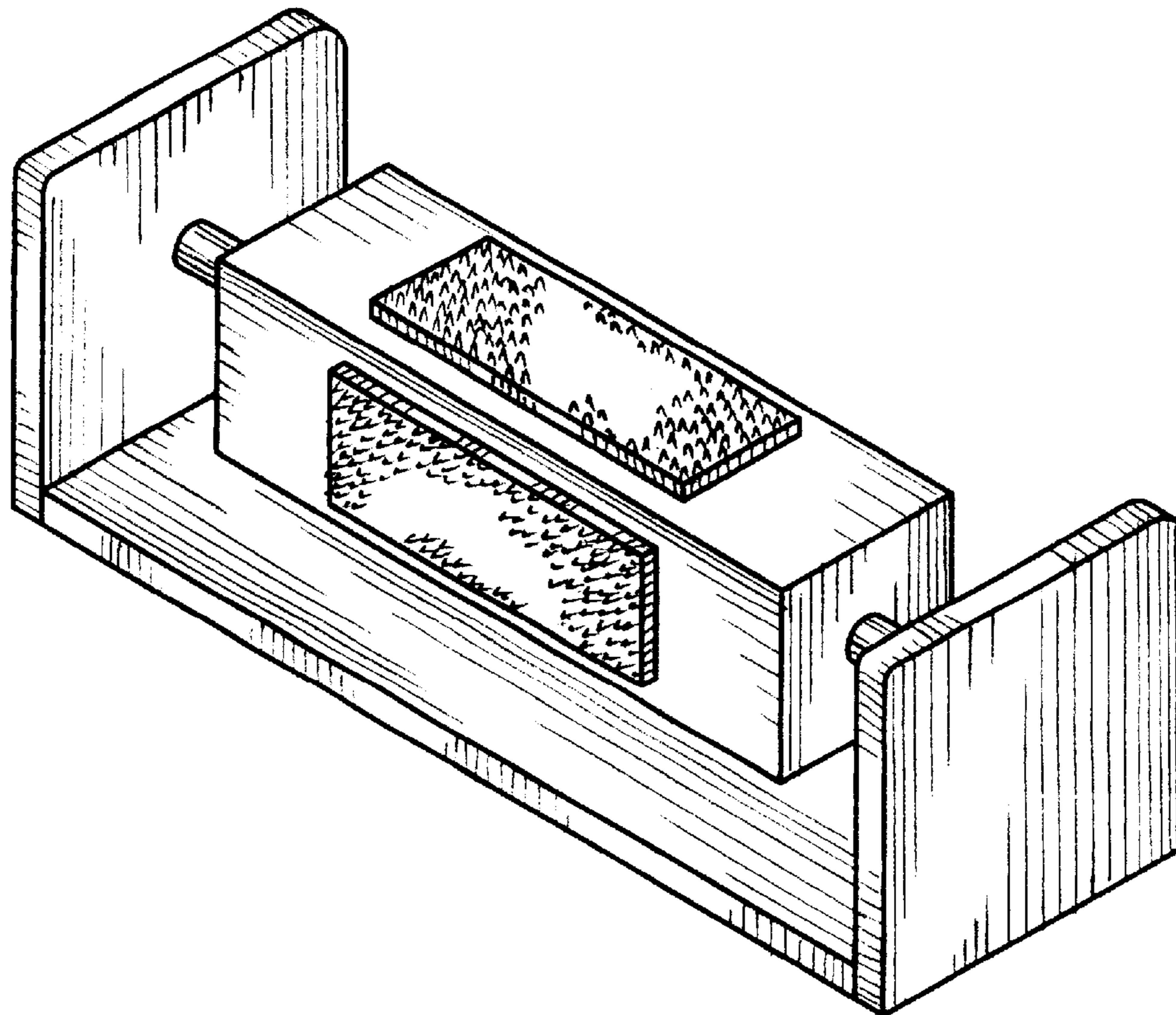
FIG. 4 is a sectional view thereof taken in the direction of the arrows upon the line 4—4 of FIG. 2, and depicted in association with electronic remote control units shown in broken outline and not a part of this invention.

(56) **References Cited**

U.S. PATENT DOCUMENTS

D154,105 S * 6/1949 Deskey D6/552
4,712,693 A * 12/1987 Striplin 211/164
4,838,505 A * 6/1989 Lowe 248/176.1
5,125,516 A * 6/1992 McKenna 211/26.1
5,531,332 A * 7/1996 Monnens 211/26.1
5,906,434 A * 5/1999 Berrios 366/213

1 Claim, 2 Drawing Sheets



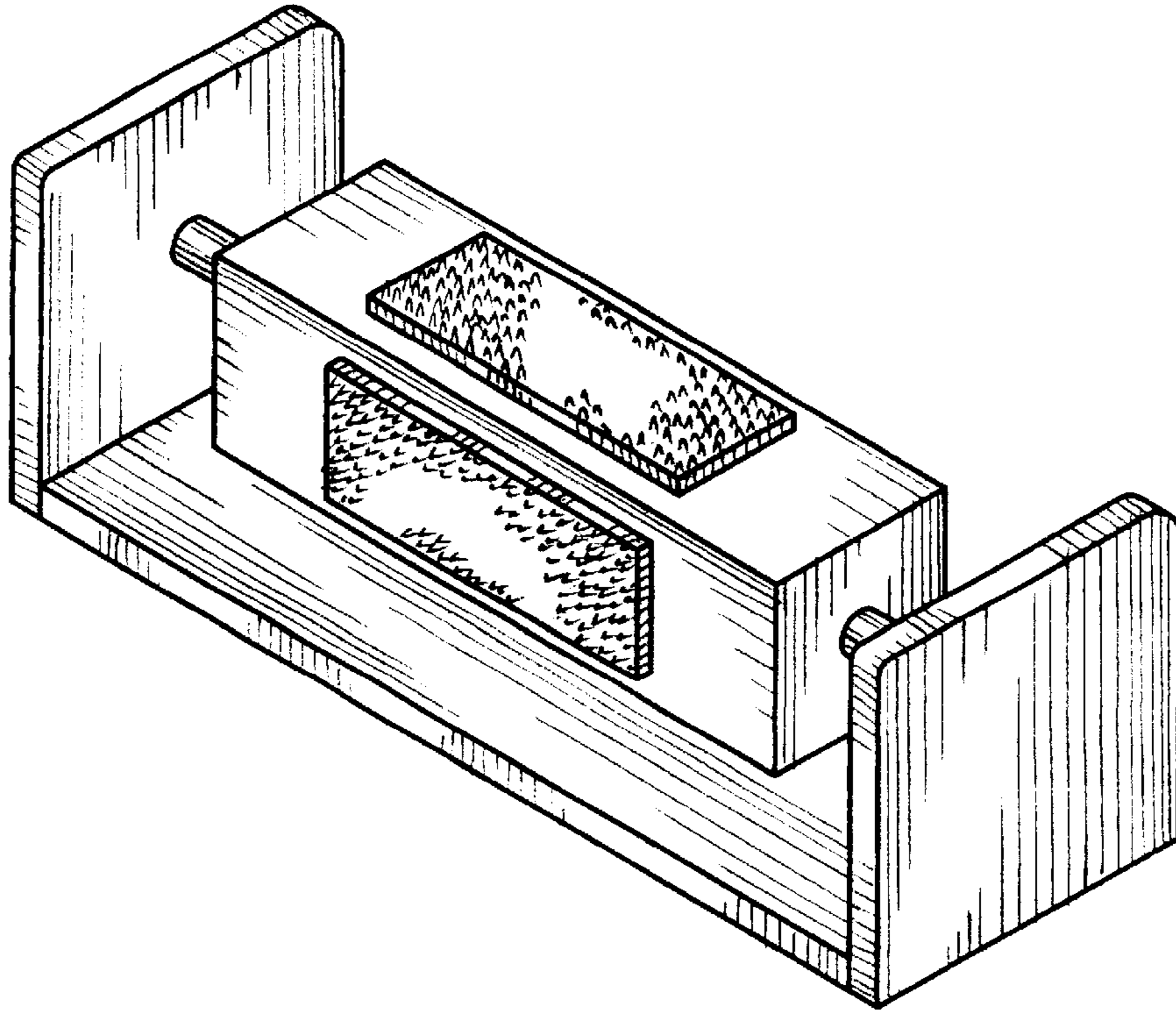


FIG. 1

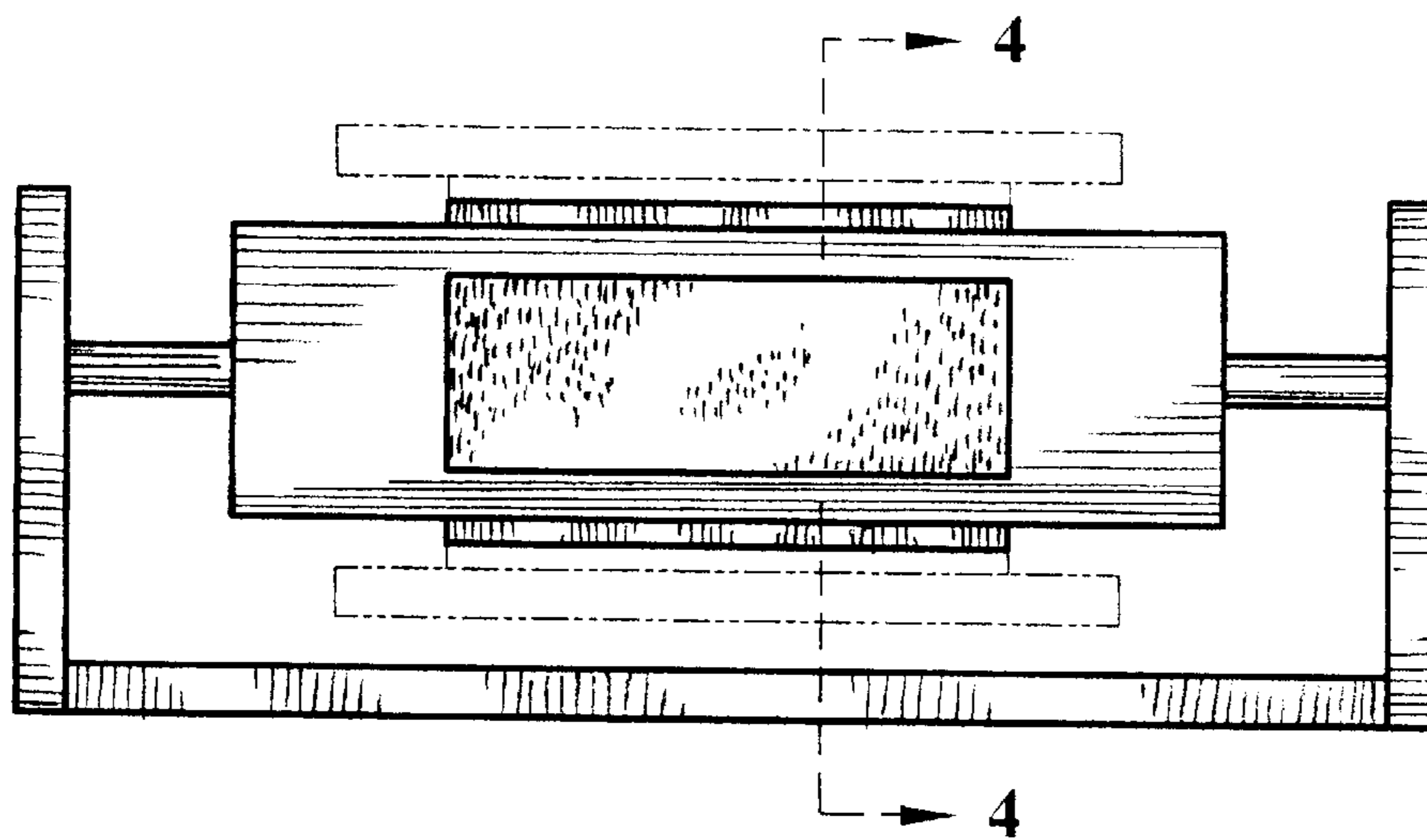


FIG. 2

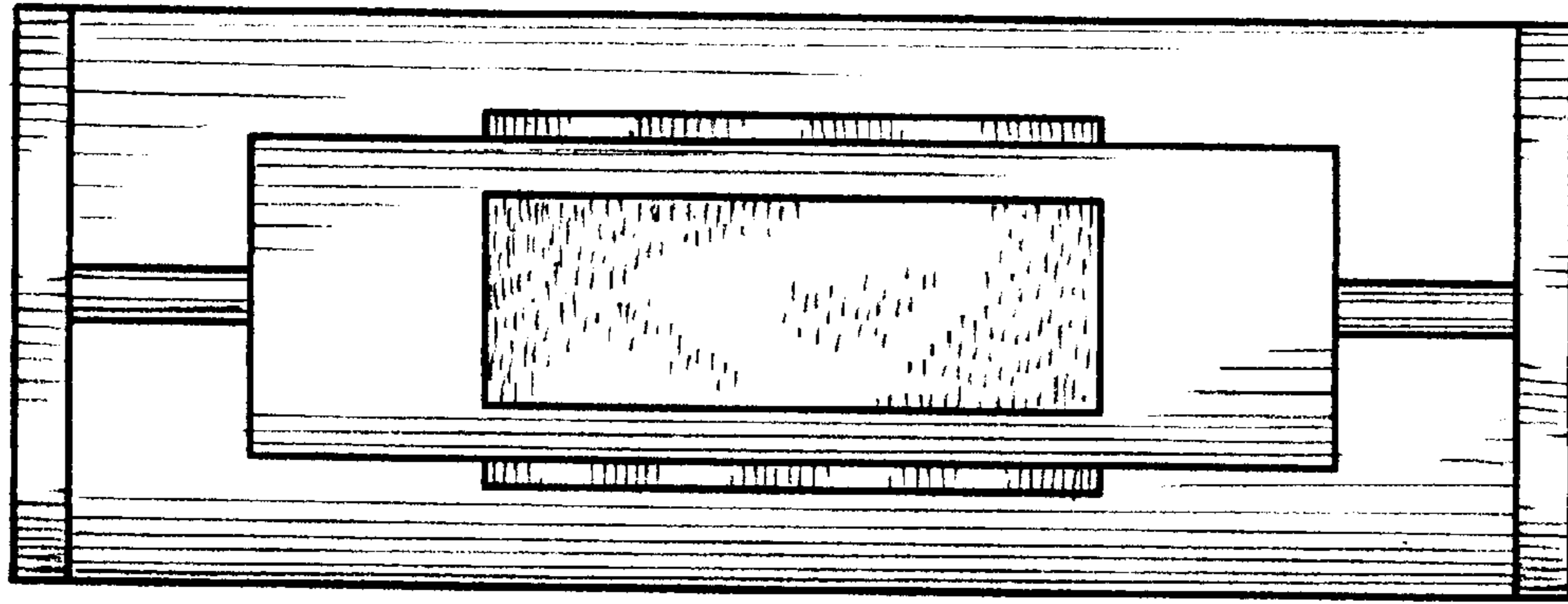


FIG. 3

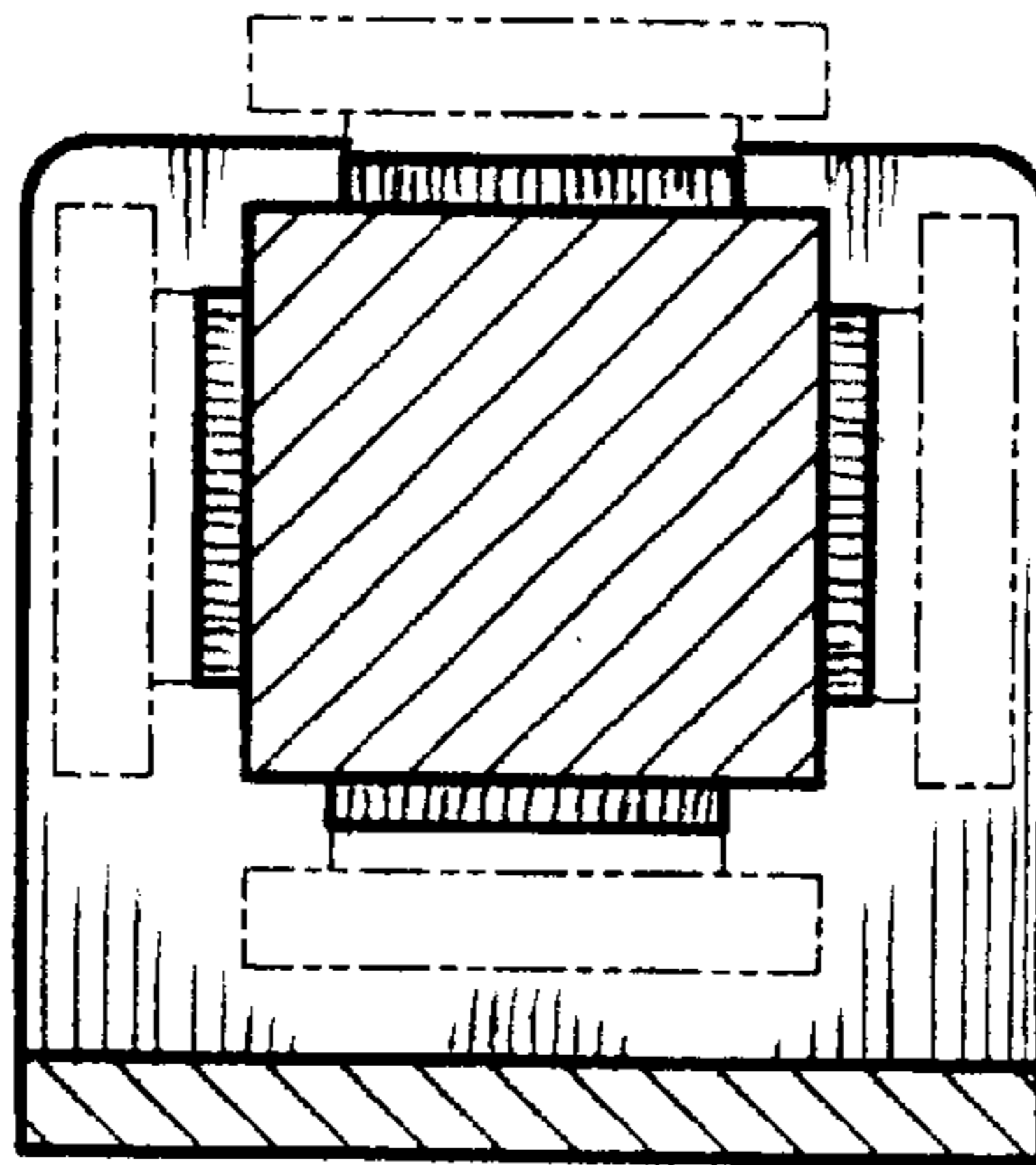


FIG. 4