



US00D532994S

(12) **United States Design Patent**
Rice

(10) **Patent No.:** **US D532,994 S**

(45) **Date of Patent:** **** Dec. 5, 2006**

(54) **VANITY RACK FOR HAIR ACCESSORIES**

(76) **Inventor:** **Donna R. Rice**, P.O. Box 414,
Grovetown, GA (US) 30813-0414

(**) **Term:** **14 Years**

(21) **Appl. No.:** **29/214,865**

(22) **Filed:** **Oct. 12, 2004**

(51) **LOC (8) Cl.** **06-04**

(52) **U.S. Cl.** **D6/467**

(58) **Field of Classification Search** D6/411,
D6/436, 449, 462, 466-468, 553, 569; 211/13.1,
211/85.5, 125; D28/61, 73, 99; 206/6.1
See application file for complete search history.

(56) **References Cited**

U.S. PATENT DOCUMENTS

D141,790 S	*	7/1945	Sacoder	D6/449
2,833,291 A		5/1958	Campagna		
3,421,632 A		1/1969	Wood		
D232,269 S		7/1974	Cates		
D303,193 S	*	9/1989	Rimer	D6/569
5,191,983 A		3/1993	Hardy		
D338,575 S	*	8/1993	Takaya et al.	D6/467
D342,343 S		12/1993	Slivko		
D352,190 S	*	11/1994	Tucker	D6/468
5,512,165 A		4/1996	Liu		

D394,762 S	*	6/1998	Greiner	D6/436
5,762,184 A	*	6/1998	Greiner	206/6.1
6,158,578 A	*	12/2000	Greiner	206/6.1
D456,176 S		4/2002	Dashefsky		
D511,634 S	*	11/2005	Bilsland	D6/467

* cited by examiner

Primary Examiner—Robert M. Spear

Assistant Examiner—Mary Ann Calabrese

(74) *Attorney, Agent, or Firm*—Donald R. Schoonover

(57) **CLAIM**

I claim the ornamental design for a vanity rack for hair accessories, as shown and described.

DESCRIPTION

FIG. 1 is a perspective view of a vanity rack for hair accessories showing my new design in use; the broken lines depict environmental structure for illustrative purposes only and form no part of the claimed design;

FIG. 2 is a front elevational view thereof;

FIG. 3 is a rear elevational view thereof;

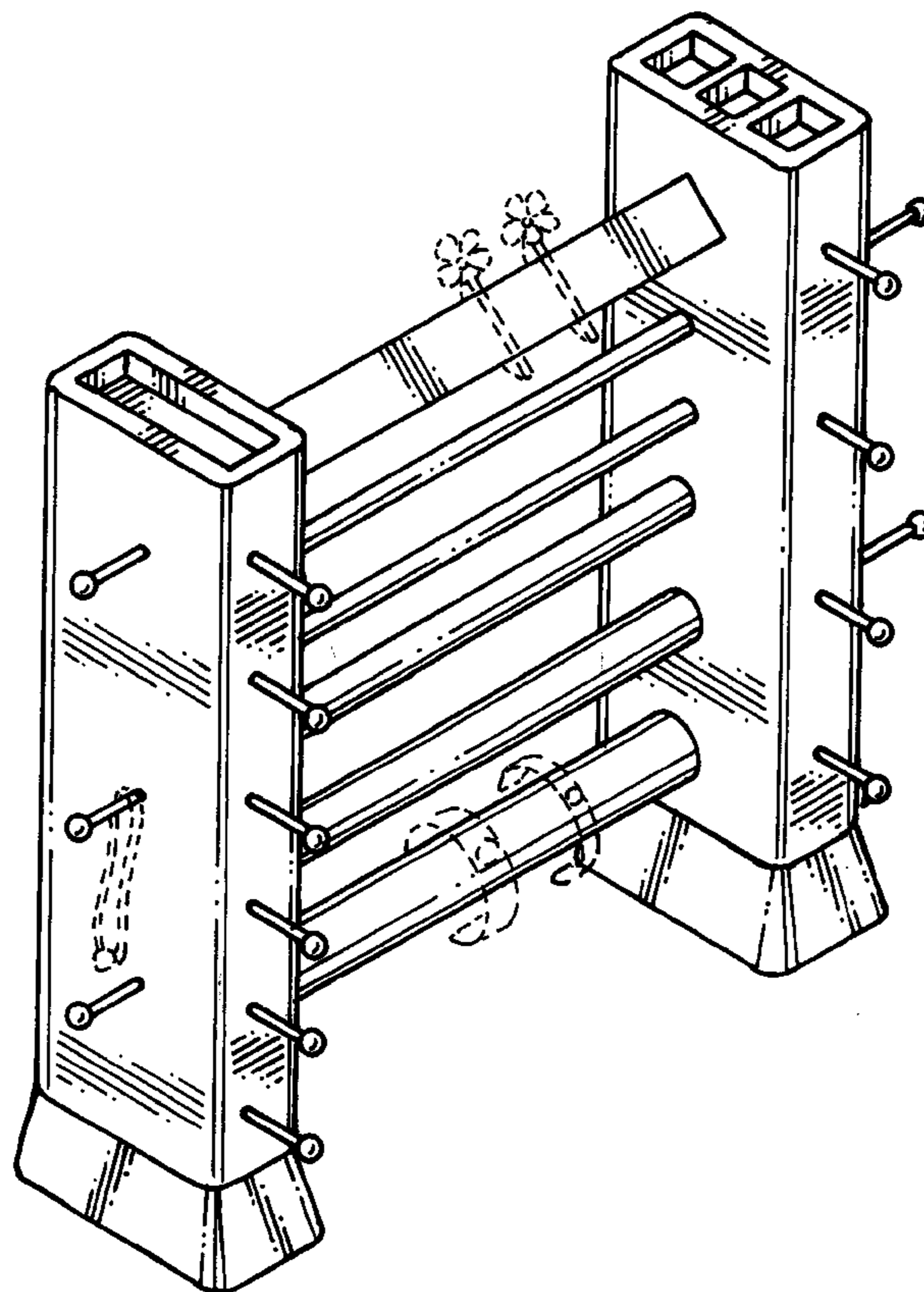
FIG. 4 is a right side elevational view thereof;

FIG. 5 is a left side elevational view thereof;

FIG. 6 is a top plan view thereof; and,

FIG. 7 is a bottom plan view thereof.

1 Claim, 4 Drawing Sheets



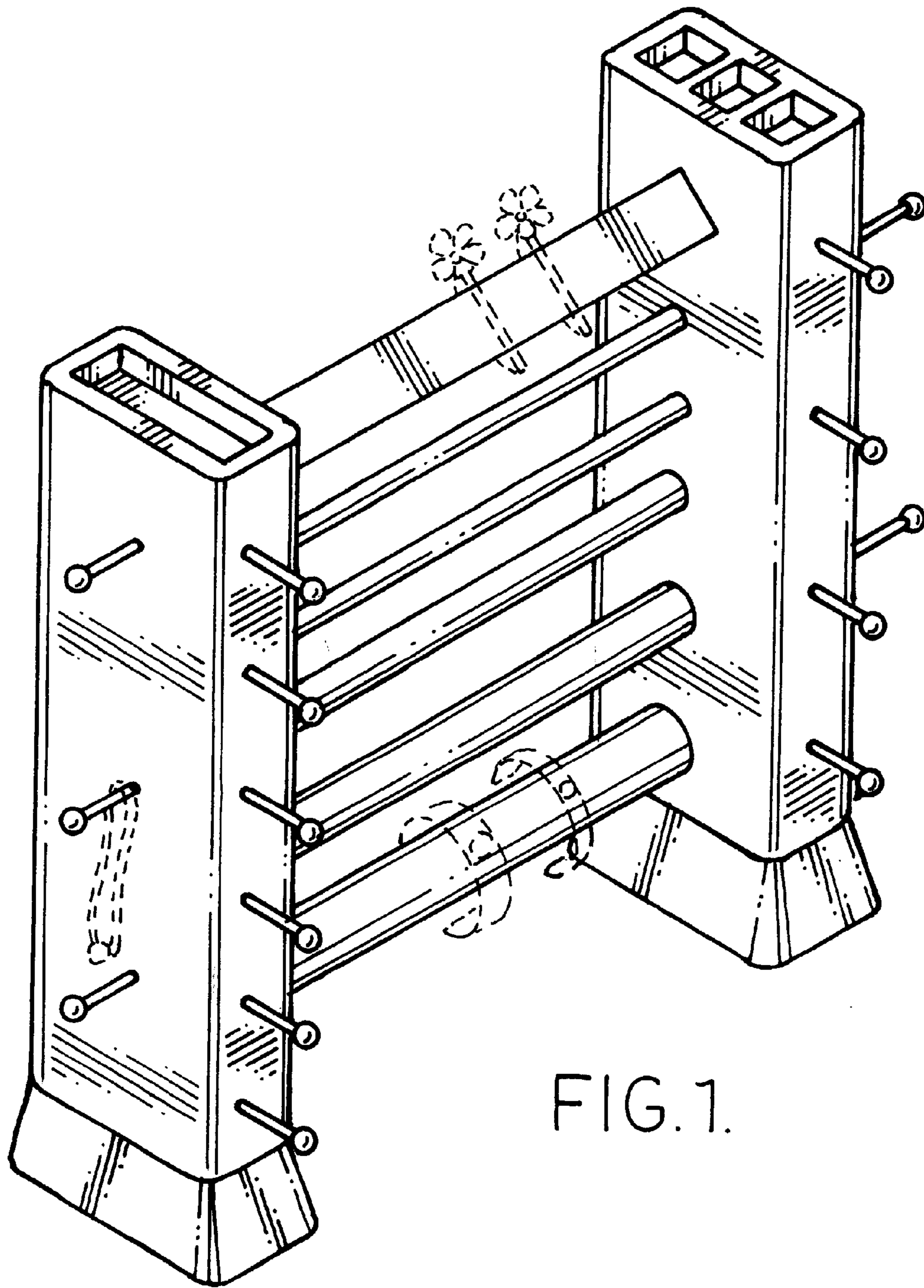
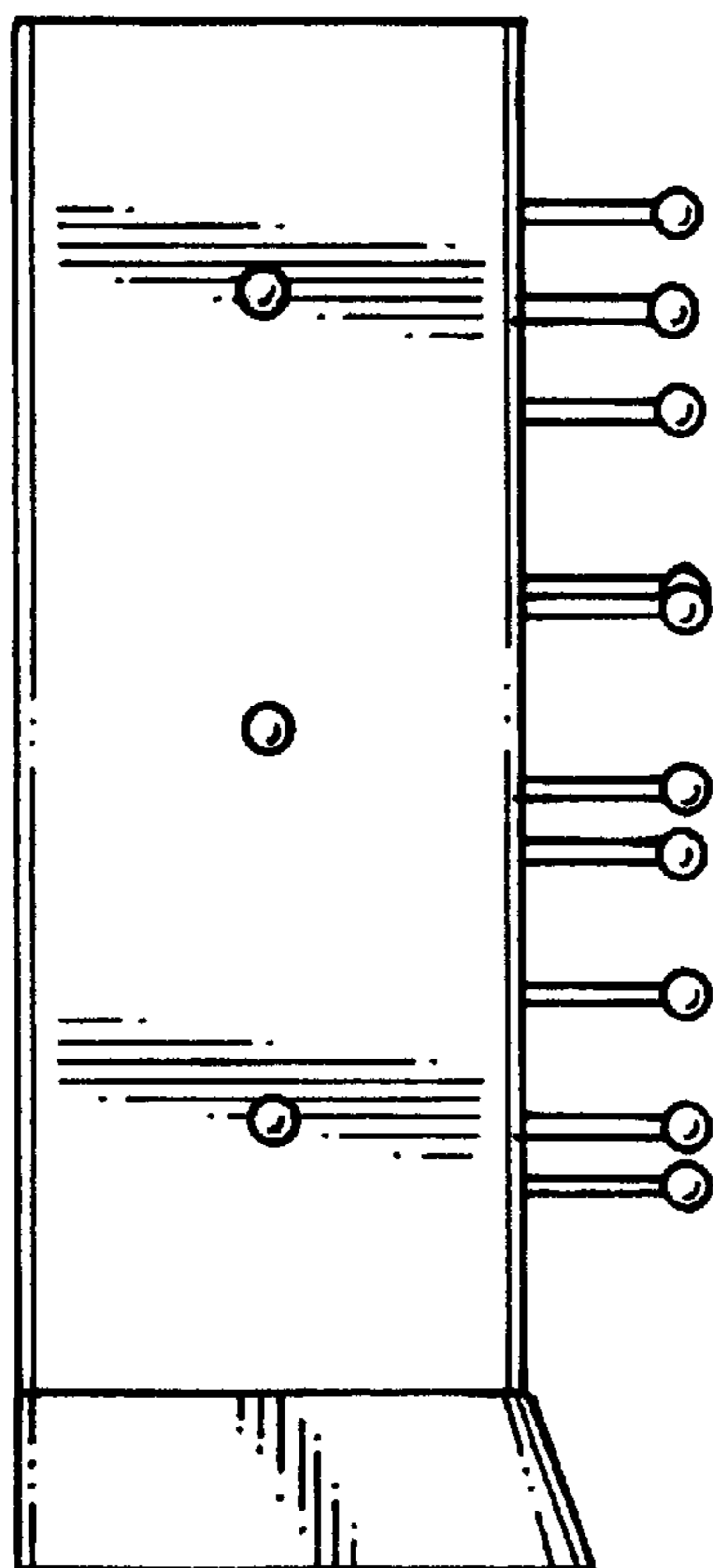
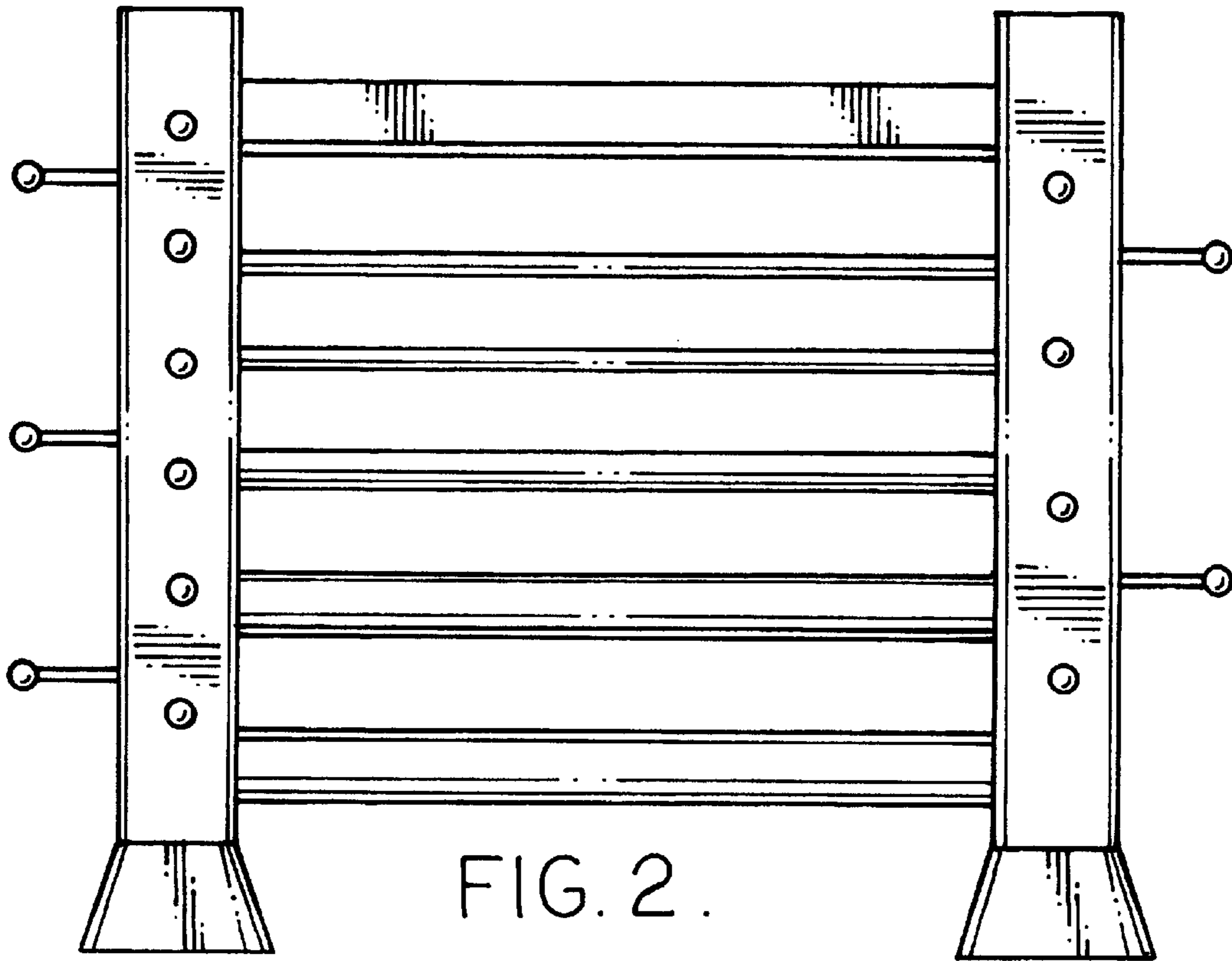
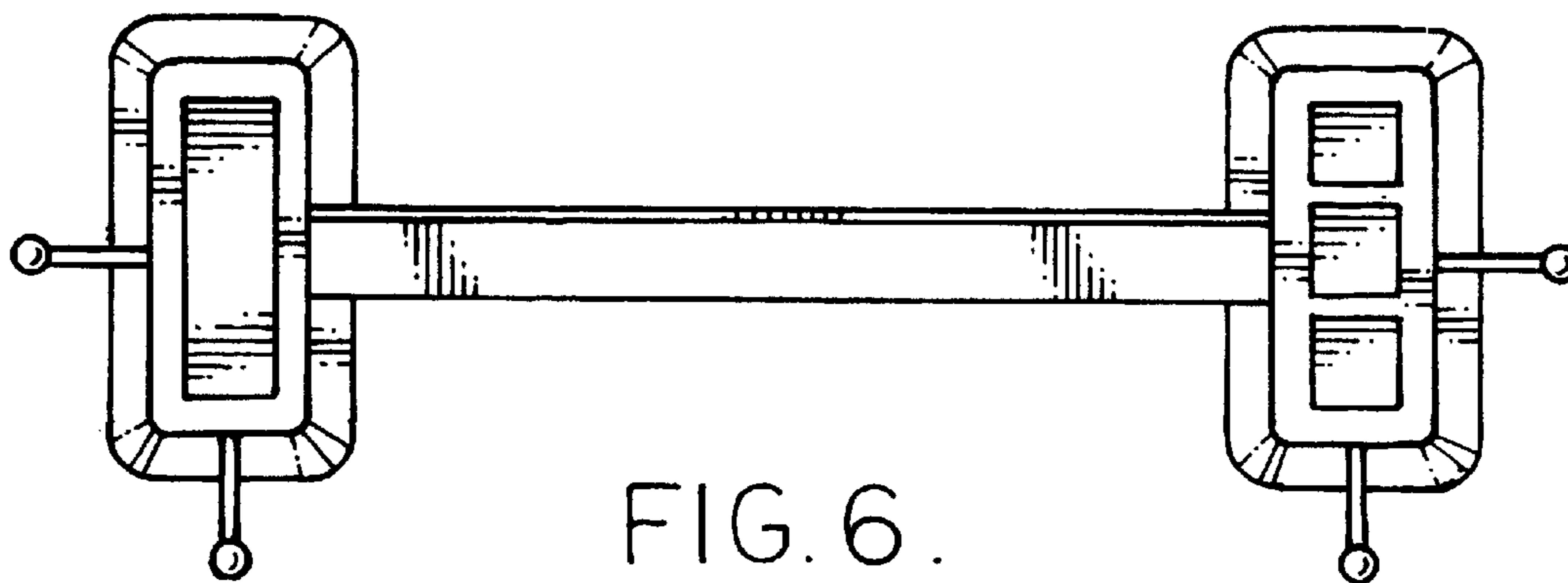
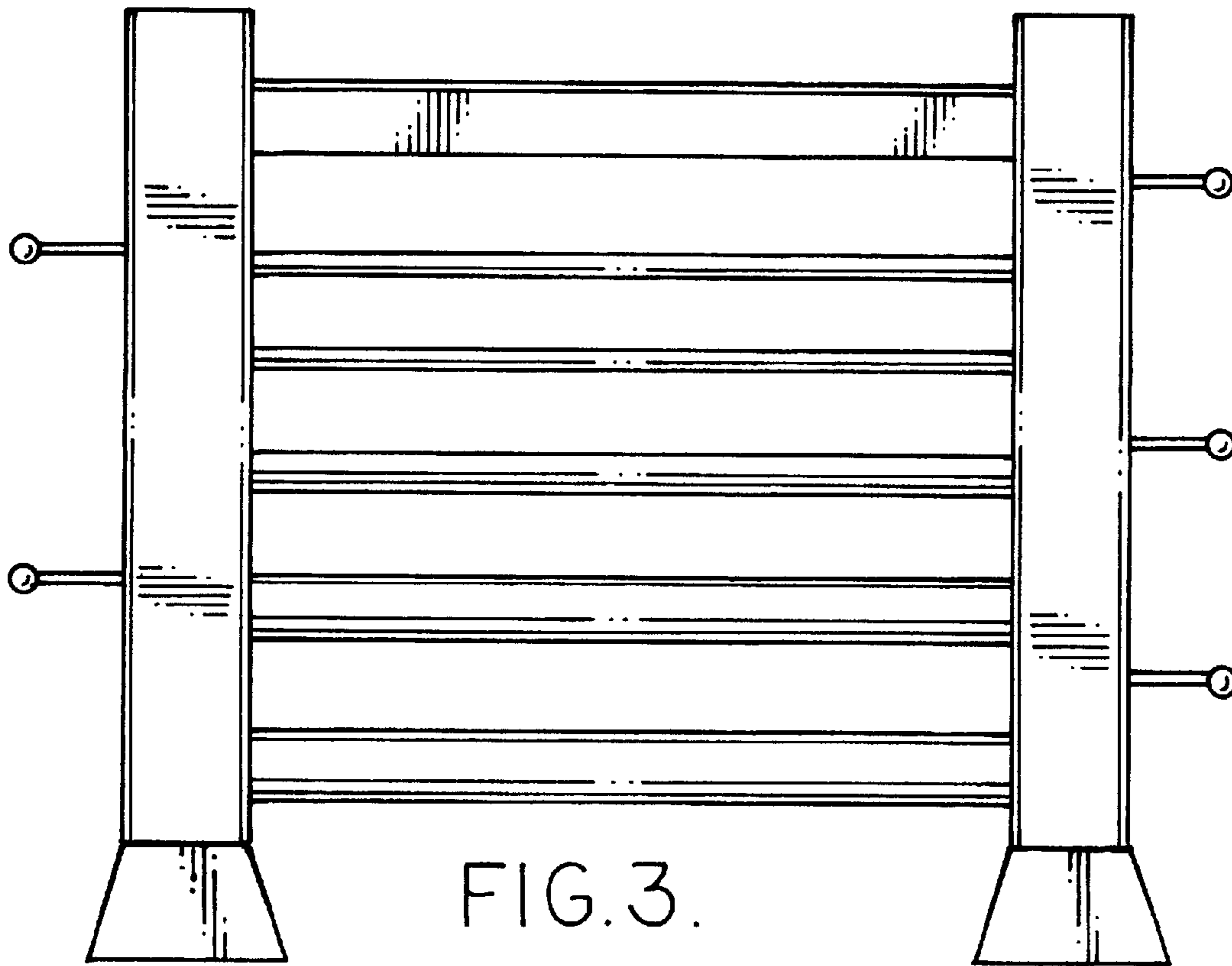


FIG. 1.





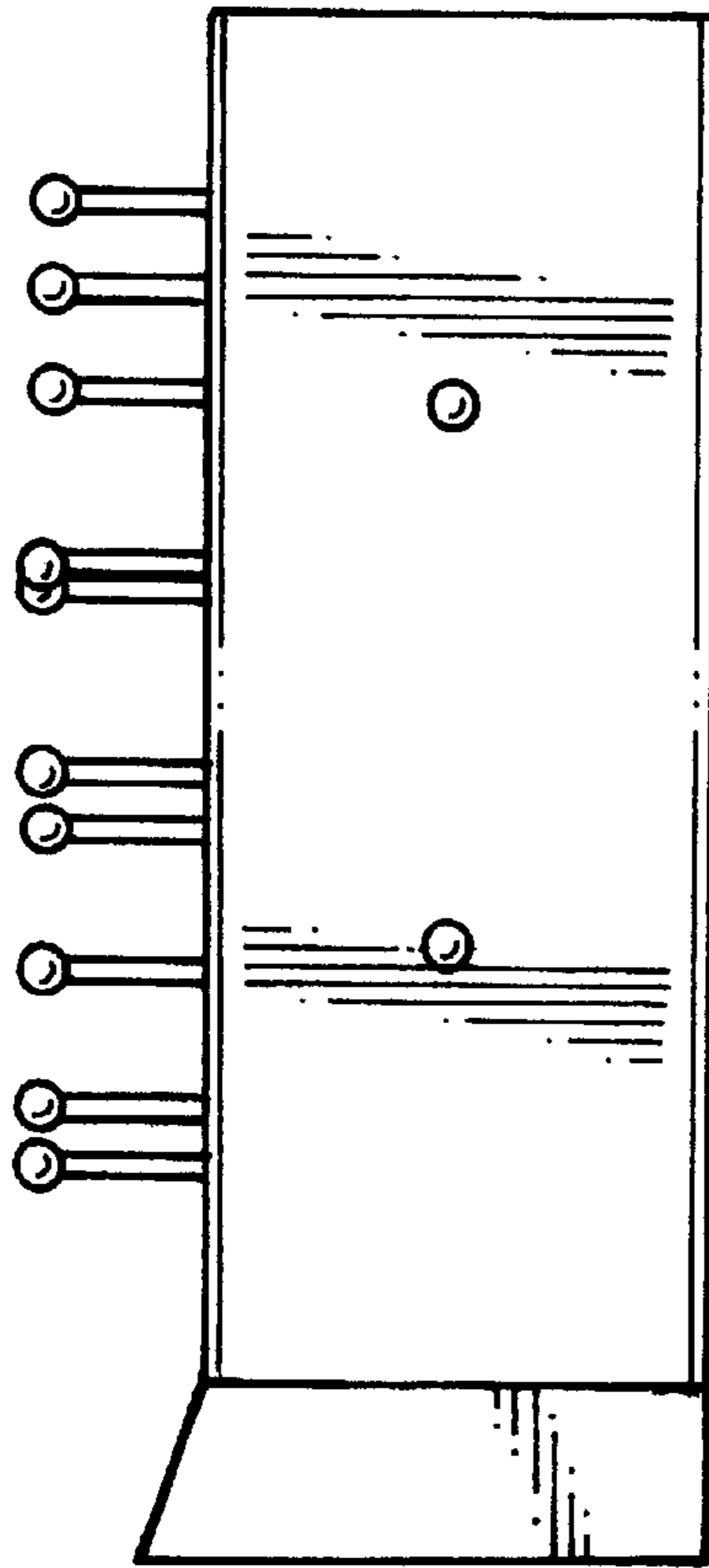


FIG. 5.

FIG. 7.

